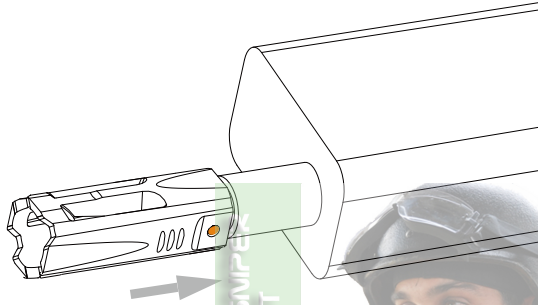


THOR QD tracer unit installation

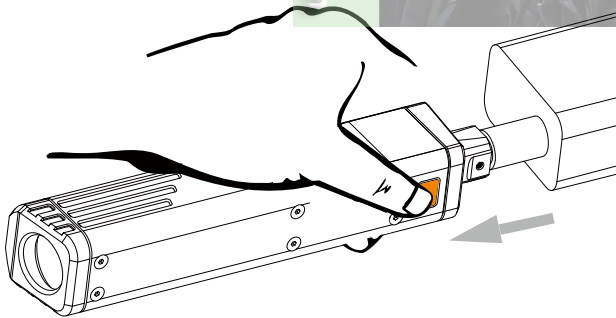
- 1 Confirm the flash hider is installed at correct angle (set screw facing to ground)



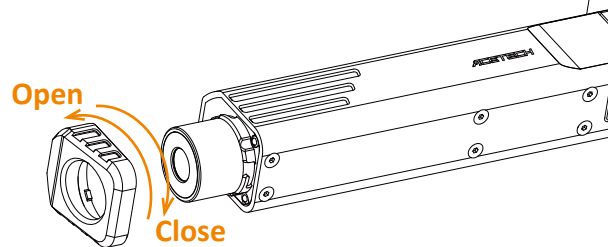
- 2 Attach THOR directly on the flash hider until it clicks



- 3 Press the QD button and release THOR from the flash hider



- Note** Twist the front cap and remove to put in or take out the tracer module



4

Please scan the QR code to watch the video user guide.