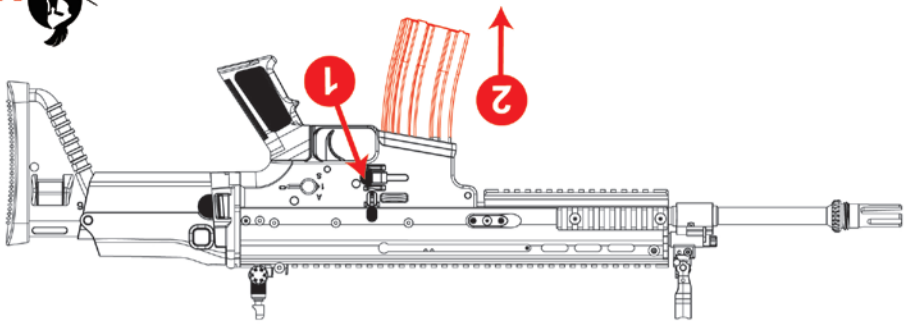
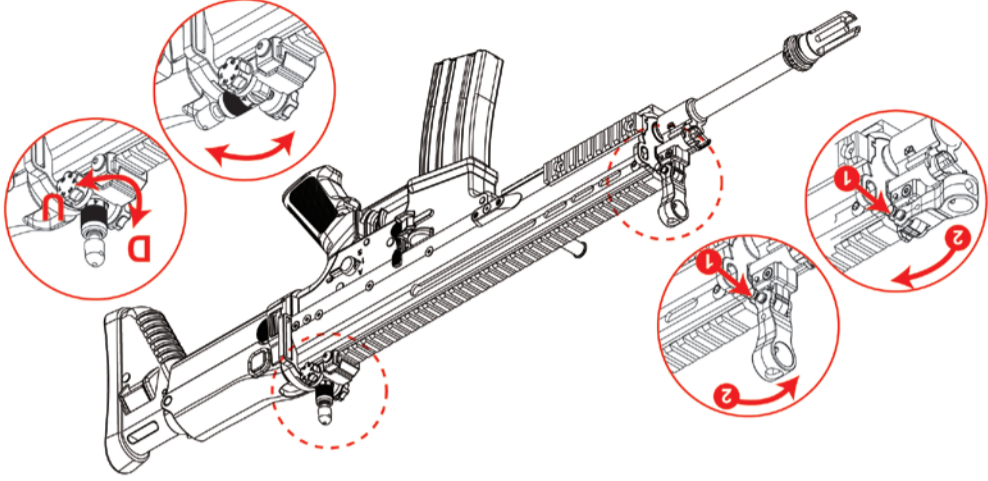




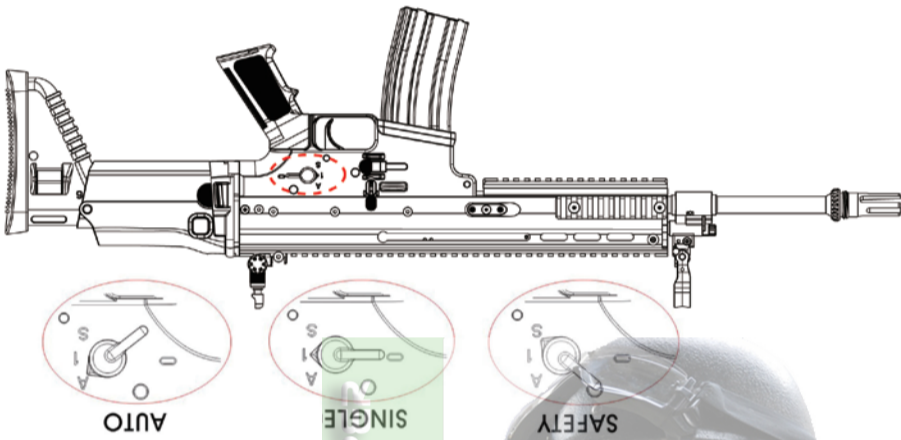
For more detail information please visit our website



SETTING THE MAGAZINE



FRONT / REAR SIGHT ADJUSTMENT



FIRING MODE

DATA OF ARES AR-062E / 063E ELECTRIC GUN

AR-062E / 063E



FEATURES

- EFCS Metal Gear Box
- Easy Power Step Up System
- Bolt Locking & Functional Bolt Catch
- QDE System can change in / out Barrel in Seconds
- Quick Detach EGLM
- CNC Upper Receiver
- Steel Trigger
- Both Side Mag. Release Catch

BATTERY:	8.4v - 11.1v (LiPo ready)
MAGAZINE CAPACITY:	180rds (6mm BB)
MODE:	Single Shoot / Auto / Safe (EFCS)
MATERIAL:	Nylon Fiber + Al.Alloy
MOTOR:	High Torque Flat Motor
HOP-UP:	Adjustable
LENGTH:	567 / 760-812mm (In 4 Steps)
WEIGHT:	5100g
VELOCITY:	350-380FPS

SAFETY

- Misuse or careless use may cause serious injury.
- Always treat the airsoft gun as though it is loaded and with the same respect you would a firearm.
- Do not look into the gun muzzle.
- Do not ever point the airsoft gun at anything you do not intend to shoot.
- You and other with you should always wear shooting glasses to protect your eyes.
- If your reading or prescription glasses are not safety glasses, make sure you wear shooting glasses over your regular glasses.
- Always put the airsoft gun in a case or bag when you carrying it.
- Always keep the airsoft gun "ON SAFE" until you are ready to shoot in a SAFE DIRECTION.
- Always check to see if the airsoft gun is "ON SAFE" and unloaded when getting it from another person or from storage.
- Do not put the airsoft gun away loaded. Make sure ALL of the plastic BBs are unloaded from the airsoft gun.
- Do not shoot at hard surfaces or at the surface of water. The plastic BBs may bounce off or ricochet and hit someone or something you had not intended to hit. If the plastic BBs should happen to hit a hard surface, do not reuse those plastic BBs because they could cause possible damage to your airsoft gun.
- Use 6 mm plastic BBs only.
- Always store this airsoft gun in a secure location and at the places out of reach by children.
- DO NOT MODIFY OR ALTER YOUR AIRSOFT GUN. Attempts to modify the airsoft gun in way may make your airsoft gun unsafe to use, cause serious injury or death and will void the warranty.
- Using unauthorized repair centers or modifying the function of your airsoft gun in any way may be unsafe and will void your warranty.
- We are not responsible for any malfunction, accidents, injuries or repair cost resulting from misuse, or by disassembly and modification of the airsoft gun.



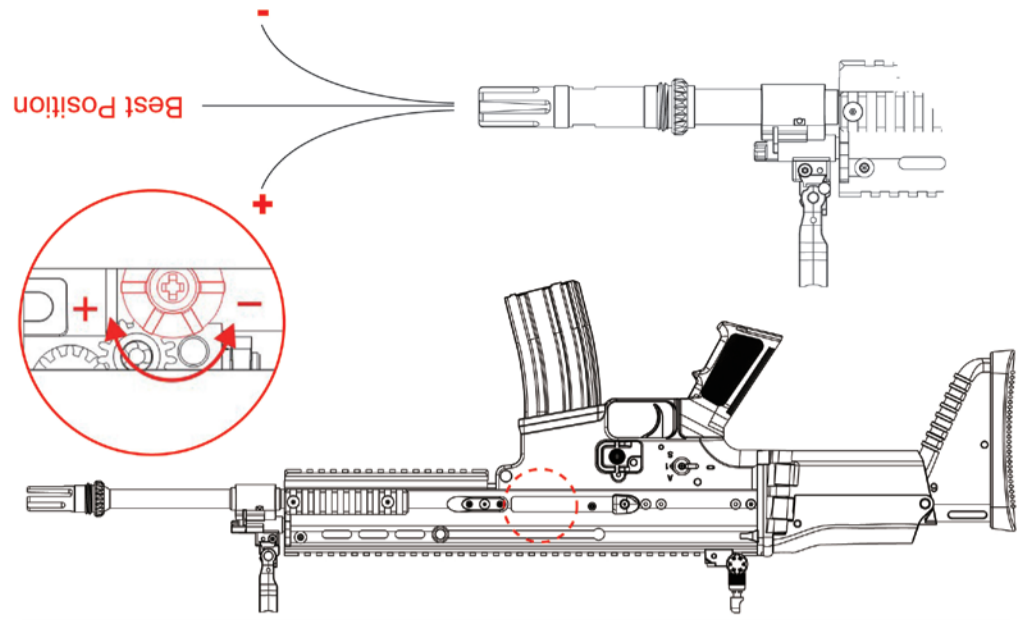
Ares Website: <http://www.aresairsoft.com> General Enquiries: ares@aresairsoft.com



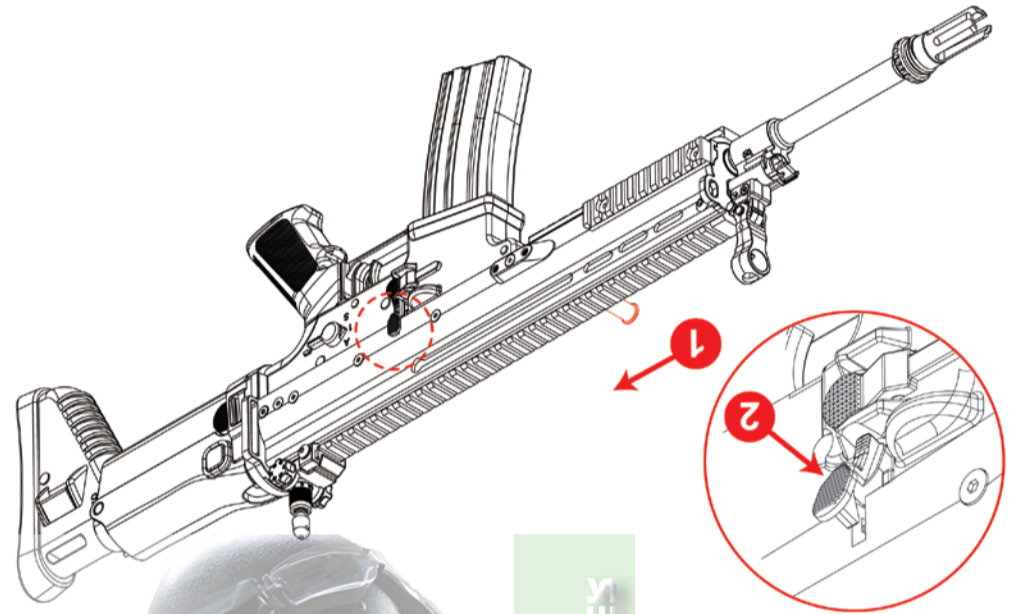
Manufacturer & Brand Owner : Forever Good (Hong Kong) Ltd.



© Ares 2013, all rights reserved



HOP-UP ADJUSTMENT



BOLT LOCK & RELEASE

USER RESTRICTED TO 18 YEARS OF AGE OR OLDER

AR-062E/063E



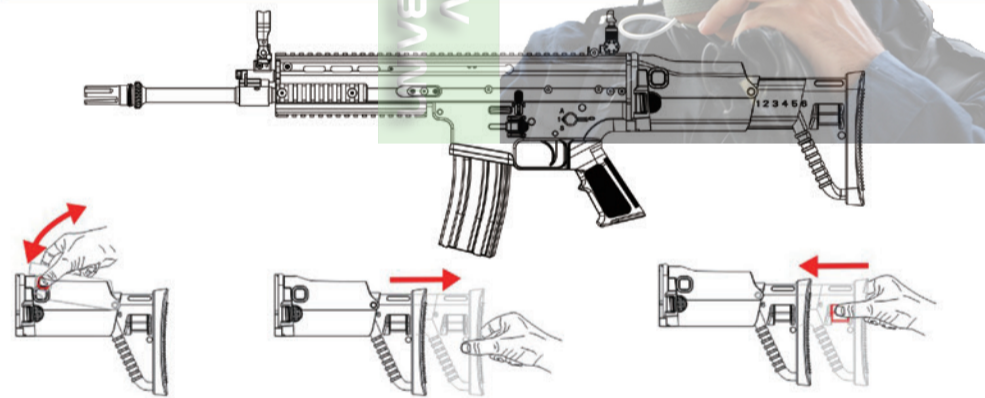
Automatic Electric Airsoft Gun Instruction Manual • Always read through this manual before operation



THE REPLACEMENT PARTS WILL BE AVAILABLE AT OURS LOCAL DISTRIBUTOR AND DEALERS

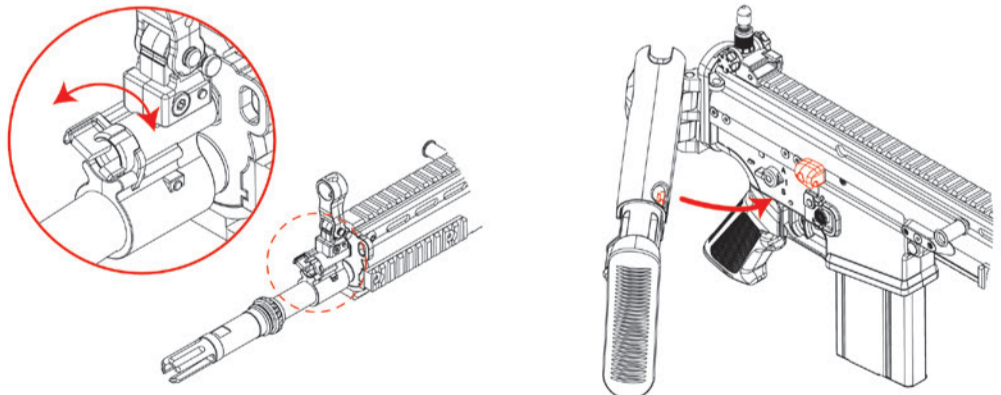
EXPLORE PLAN

STOCK ADJUSTMENT



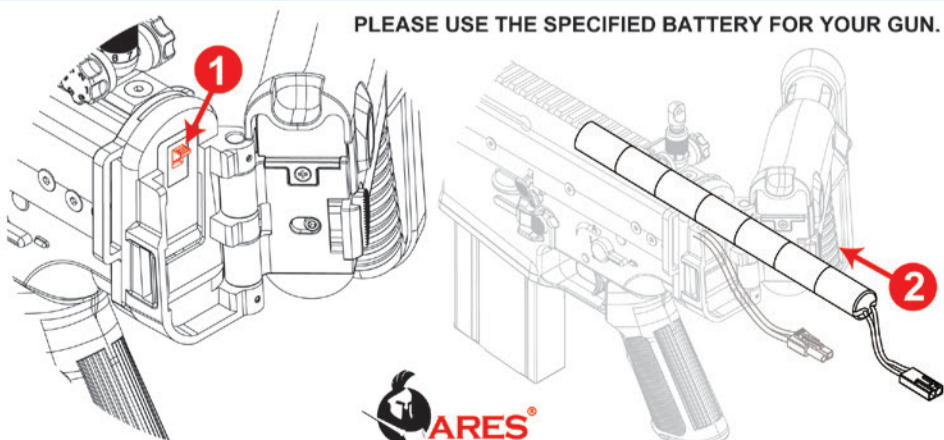
BARREL REPLACEMENT

FOLDING BUTTSTOCK

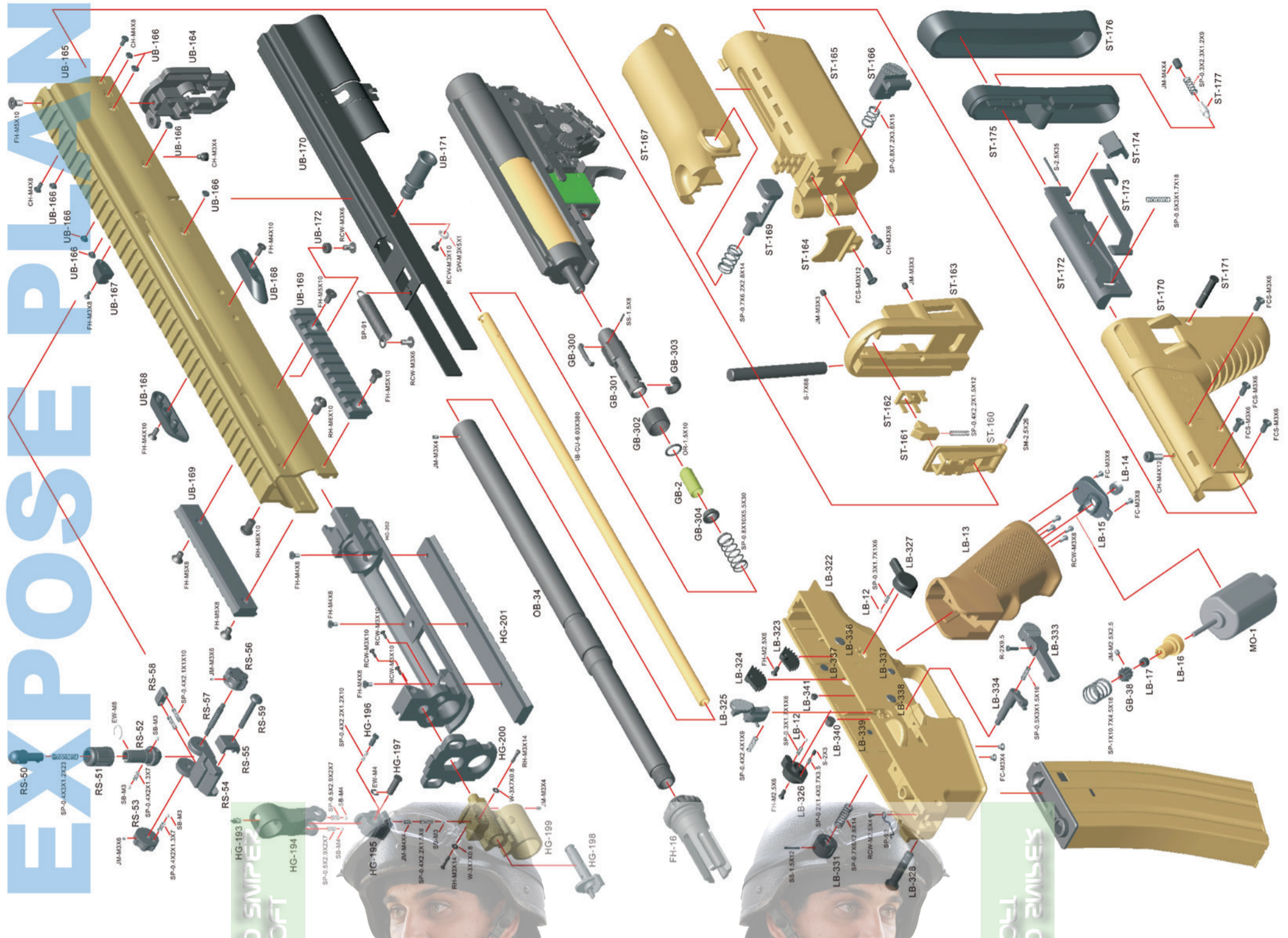


BATTERY INSTALLATION

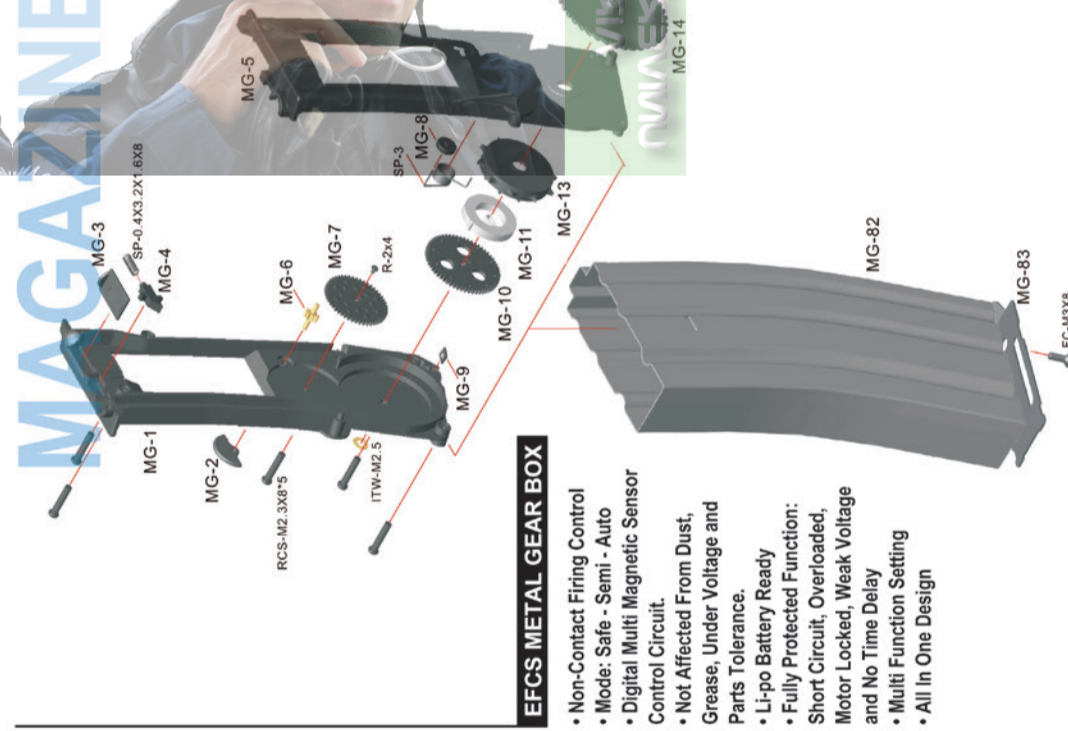
PLEASE USE THE SPECIFIED BATTERY FOR YOUR GUN.



For more detail information please visit our website



MAGAZINE



EFCS METAL GEAR BOX

- Non-Contact Firing Control
- Mode: Safe - Semi - Auto
- Digital Multi Magnetic Sensor Control Circuit.
- Not Affected From Dust, Grease, Under Voltage and Parts Tolerance.
- Li-po Battery Ready
- Fully Protected Function: Short Circuit, Overloaded, Motor Locked, Weak Voltage and No Time Delay
- Multi Function Setting
- All In One Design

