



UNIVERSO SNIPER
AIRSOFT

Thompson®

1928

“CHICAGO TYPEWRITER”

1/1 SCALE - SPRING OPERATED SOFTAIR™ GUN

**SOFT
AIR**
USA

www.softairusa.com

Soft Air USA Inc. Pier 23
San Francisco, CA 94111
sales@softairusa.com

CYBERGUN SA (ex-3P S.A.-3 PYLONES, official licensee for Softair™ Gun
of the brands : Smith & Wesson, Colt, Uzi, Walther, Springfield Armory, Sig Sauer,
Desert Eagle, IMI, Taurus, Famas, Tanfoglio, Mauser, Thompson, Auto Ordnance.

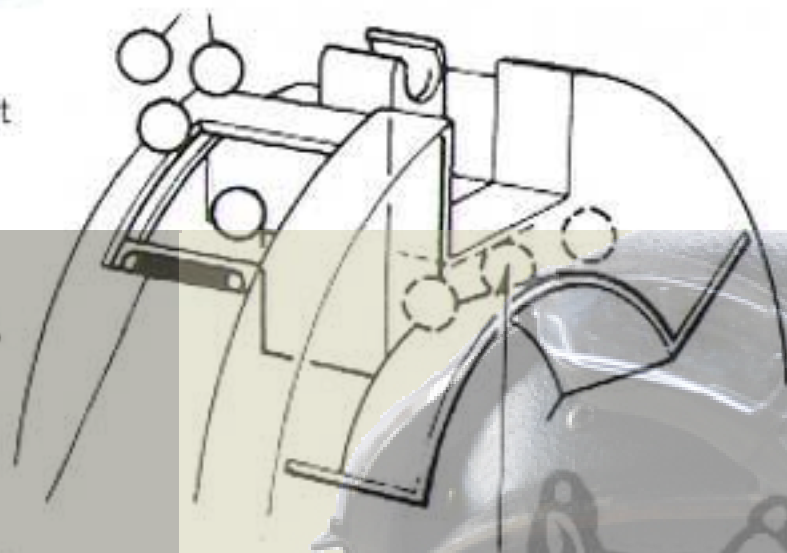
**Cyber
GUN**

www.cybergun.com

Thompson®

MAGAZINE - CARGADOR - CHARGEUR

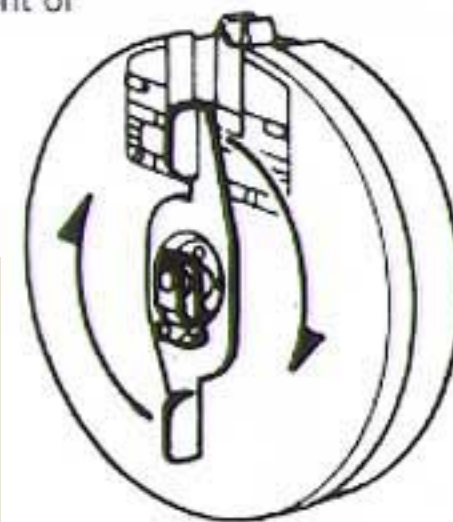
- 1)** - Open the magazine lid and insert the BB Bullets (about 600 rounds).
- *Abrir el cajón del cargador para introducir las bolas (unas 600).*
- *Ouvrir la trappe du chargeur afin de le remplir de billes (env.600 pcs).*



- Once the magazine filled, close the lid.
- *Después de introducir las bolas en el cargador, cierran el cajón.*
- *Fermez la trappe du chargeur après remplissage des billes.*

- When tilting the magazine in the right position, BBs can be inserted as shown on the diagram.
- *Se puede llenar el cargador, pasando las bolas al otro lado por el camino mostrado en el dibujo.*
- *En inclinant le chargeur dans la bonne direction, les billes peuvent être acheminées comme indiqué sur le schéma.*

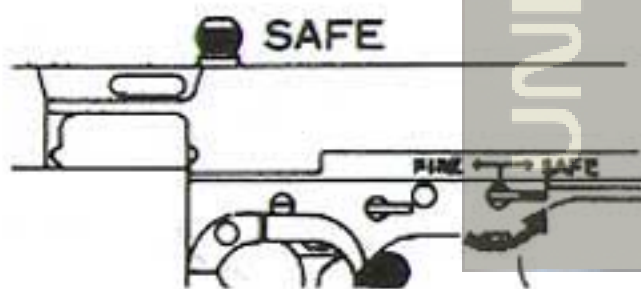
- 2)** - One full rotation of the key located on the front of the drum magazine will replenish the gun with 30 rounds. (CAUTION: never exceed 8 full rotations of the feeding device!)
- *Una vuelta de la llave del cargador sube unas 30 bolas a cada vez.*
(Atención : no hagan mas de 8 vueltas con la llave del cargador.)
- *Un tour du levier d'armement alimente la goulotte de chargement d'environ 30 billes.*
(Attention : n'effectuez pas plus de 8 tours à ce levier d'armement).



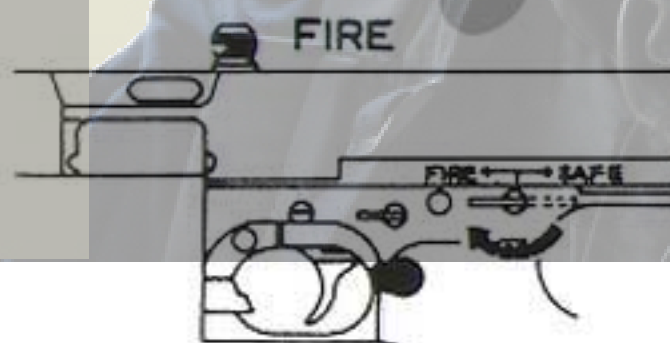
- 3)** - The replenishing of the gun is progressively made when rotating the key located on the drum in the direction shown by the arrow.
- *Las bolas suben en el cargador dando la vuelta a la llave en la dirección indicada en el cargador.*
- *L'alimentation s'effectue progressivement. Lorsqu'il y a nécessité de monter les billes, tournez le levier d'armement dans le sens indiqué par la flèche située sur le chargeur.*



SAFETY DEVICE - SEGURO - SÉCURITÉ



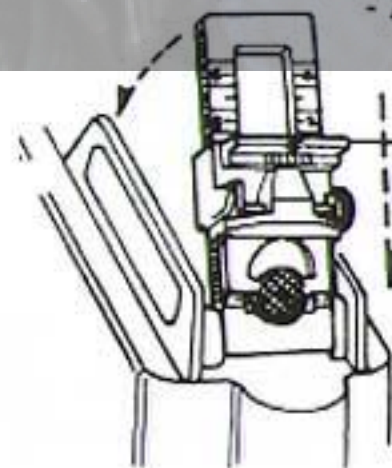
- 1-** If selector is on SAFE, do not pull the trigger by force.
- *Con el selector en la posición SAFE, no disparen.*
- *Si le sélecteur est sur la position SAFE, n'appuyez pas sur la gâchette.*



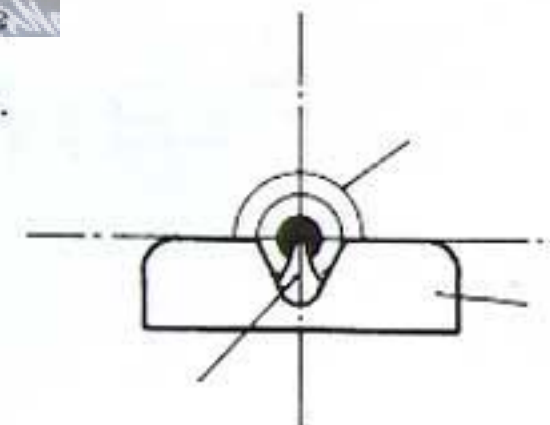
- 2** - If selector is on FIRE, you can shoot.
- *Con el selector en la posición FIRE, se puede disparar.*
- *Si le sélecteur est sur la position FIRE, vous pouvez tirer.*

AIMING - APUNTAR - VISER

- 1** - Adjust rear sight on front sight with the proposed set-up.
- *Ajustar la puntería trasera sobre la delantera con las diferentes opciones.*
- *Ajustez la visée AR sur la visée AV grâce*



aux différents réglages proposés.



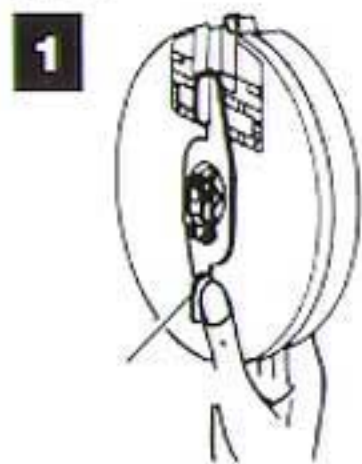
HOW TO USE - COMO USAR - UTILISATION

1 - Make sure that BB bullets are visible in the upper part ("well") of the magazine before sliding it in the receptacle.

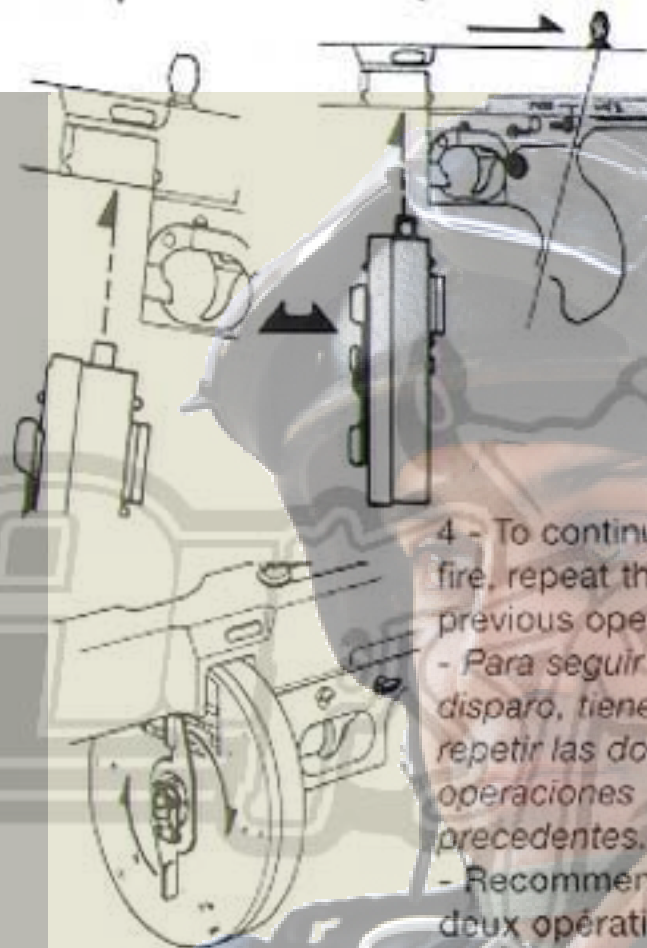
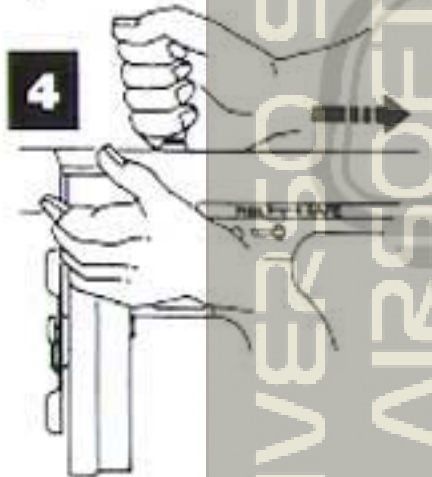
- Poner el cargador en el modelo, teniendo cuenta que las bolas tienen que estar en salida de cargador (como en el dibujo)

- Placez le chargeur dans le modèle en s'assurant que les billes sont présentes en sortie de puits.

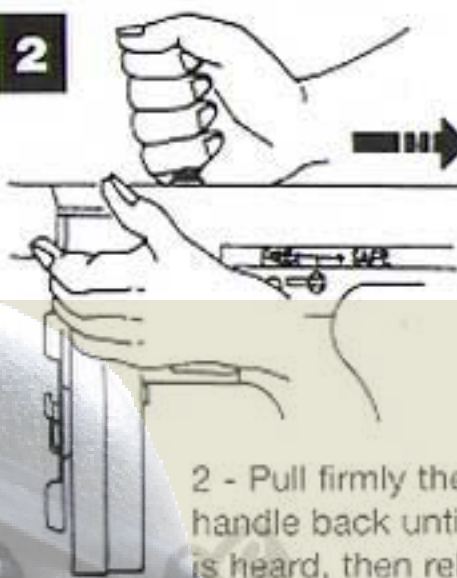
1



4



2



2 - Pull firmly the loading handle back until a click is heard, then release.

- Tirar del mando de carga hacia atrás hasta oír un "click", y soltar el mando.

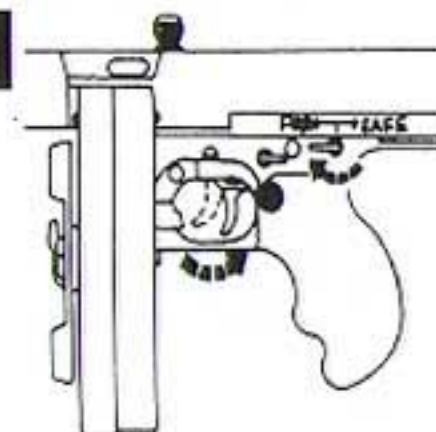
- Tirez fermement du levier d'armement vers l'arrière jusqu'à entendre un "click", puis relâchez le.

4 - To continue to fire, repeat the two previous operations.

- Para seguir el disparo, tienen que repetir las dos operaciones precedentes.

- Recommencez les deux opérations précédentes pour continuer le tir.

3



3 - Selector on Fire, pull the trigger ; do not aim at a person or a hard surface.

- Selector en posición FIRE, pueden disparar ; no disparen a una persona o sobre algo de duro.

- Selecteur sur FIRE, appuyez sur la détente ; ne visez pas une personne ou une surface très dure.

5



5 - Once finished shooting, always put the shooting selector back on the "SAFE" position.

- Cuando acaben de disparar, tienen siempre que poner el selector en la posición "SAFE".

- Votre séance de tir terminée, rangez le modèle en plaçant la sécurité sur la position "SAFE".

HOP-UP DEVICE/SYSTEME HOP-UP

Spin Up® technology was designed to increase the range of softair guns. A device located in the chamber will give to the BB an upward spin as it is expelled from the barrel. The increased friction with air created by that spinning effect will help the BB in staying longer in flight, therefore increasing the range. The intensity of the Spin Up® effect depends on the material the chamber is made of. Cybergun has selected a specific material offering the optimum Spin Up® effect. Spin Up® is a registered trademark.

Spin Up® chamber



With Spin Up® effect

Without Spin Up® effect



Soft Air USA Inc. Pier 23 - San Francisco, CA 94111
sales@softairusa.com

SOFT
AIR
USA

www.softairusa.com

CYBERGUN SA (ex-3P S.A.-3 PYLONES, official licensee for Softair™ Gun of the brands : Smith & Wesson, Colt, Uzi, Walther, Springfield Armory, Sig Sauer, Desert Eagle, IMI, Taurus, Famas, Tanfoglio, Mauser, Thompson, Auto Ordnance.

THOMPSON SUBMACHINE GUN STORY

Anyone who has watched an old movie or browsed through a book on World War II will quickly recognize the familiar outline of this fine weapon. That finned barrel topped off with a Cutts compensator, the square receiver, either a drum or box magazine... the famous "Thompson Submachine Gun." Although "submachine gun" is an familiar part of today's gun owner lexicon, the word was created by the man who was responsible for bringing us this great gun.

John Taliaferro Thompson was born in 1860 and graduated from West Point in the class of 1882. Upon commissioning, he entered the army in the Artillery, later transferring to the Ordnance Department in 1890.

Thompson's new gun was a delayed blowback type feeding from a characteristic drum magazine with an outline which became well known, a finned barrel, two pistol grips and a short butt. Thompson coined the term "sub-machine gun" but the press needed a term to catch the public fancy, and thus, the term "Tommy Gun" came into being. Auto-Ordnance actually registered "Tommy Gun" with the Trade Mark division of the Patent Office and this was even stamped on some guns.

The first gun produced, bearing neither model or serial number, appeared in 1918 and was belt fed and with little resemblance to later Thompsons.

Up to the beginning of World War II, the total Thompsons bought by the U.S. Army totaled less than 400. With the war came large orders and production became a problem. In the fall of 1939 the French ordered 3,750 Model 1928 guns and 30 million rounds of ammunition. Orders were also received from Sweden and England. In the U.S. the submachine gun was still considered an auxiliary weapon, but with the development of

an armored force, large quantities were needed.

The Model 1928 was simplified for mass production to meet this need.

It was adopted by the U.S. Marines even though it received highly unfavorable publicity in criminal hands.

Making the Twenties and Thirties Roar

Although the proportion of Thompson submachine guns misused by Prohibition-era gangsters and Depression-era bandits was minuscule compared to the thousands used by American soldiers and lawmen, it is their lurid employment by hoodlums that is perhaps best remembered.

In part we can thank the likes of Jimmy Cagney and Edward G. Robinson for this (personally I prefer Robert Taylor defiantly blazing away at the Japanese in the final scene of "Bataan"). Another reason is that the Thompson saw the most misuse in a day and age when some bandits actually sent out press releases (Remember "The Ballad of Bonnie and Clyde"?). The bandits loved the notoriety and a Depression-weary public ate it up.

The fact that the Thompson featured in a few spectacular front-page crimes did nothing to help its image. The best known of these is no doubt the notorious "St. Valentine's Day Massacre" of 1929 when henchmen of the sinister Al Capone, who had conveniently alibied himself to Florida, mowed down seven members of the "Bugs" Moran gang in a Chicago garage.

Thompson, generally looted from small town police stations, along with early-day body armor were a favorite item for Public Enemy No.1, John Dillinger. The Dillinger-Nelson gang, along with their sometimes-cohort, Charles Arthur "Pretty Boy" Floyd (Oklahoma's contribution to the blemishes on the backside of society) liked to carry Thompsons with the buttstock removed and a 20-round

clip in place of the familiar drum magazine. This way the gun could be concealed under an overcoat, and, if shooting was involved, fired one-handed, leaving the other hand free to carry loot, grab hostages, or steer the getaway car.

It was this spray-and-pray approach that assured Dillinger a seat in the electric chair on January 15, 1934 when he killed Chicago Patrolman William O'Malley during a botched robbery. Because of this crime the law pursued the gang with a furious determination. The gang used their Thompsons to blast their way out of an FBI dragnet at the Little Bohemia Lodge in Wisconsin in April of 1934, but the Public Enemy's days were numbered. Dillinger only had a small Colt .38 automatic on the night of July 22 when Melvin Purvis and his G-men shot the outlaw down on a crowded Chicago street.

The spray-and-pray-with-the-chattergun tactic also sealed Pretty Boy Floyd's fate on June 17, 1933 when his gang murdered four lawmen and a robber in their custody at the Kansas City train station. Whereas the public had greeted the St. Valentine's Day Massacre with morbid curiosity, their reaction to the Kansas City Massacre was one of outrage, and only the lawmen had Thompsons when they brought Floyd's bloody career to an end on October 22, 1934.

For a time the psychotic Baby Face Nelson assumed the title of Public Enemy No.1. Nelson used a Thompson to murder two FBI agents on November 27, 1934, but it was also a Thompson that proved his undoing: Nelson's body was found the next day, pierced by 17 bullets from one of the agents' tommy guns. Appropriately then, it was the notorious ~chopper~ that assured the triumph of law and order over the infamous criminals of old.

*Text by Charles H. Smith and Charles M.B. Smith
reproduced with the authorization of Kahr Arms*