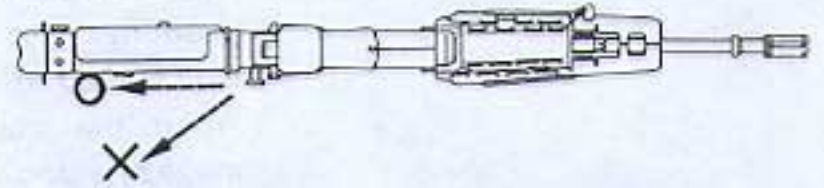


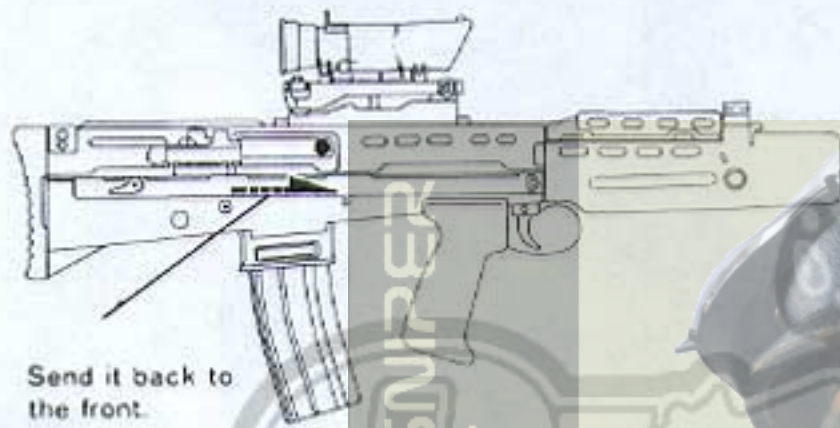
HOW TO OPERATE.



Pull cocking handle until it is firmly set.



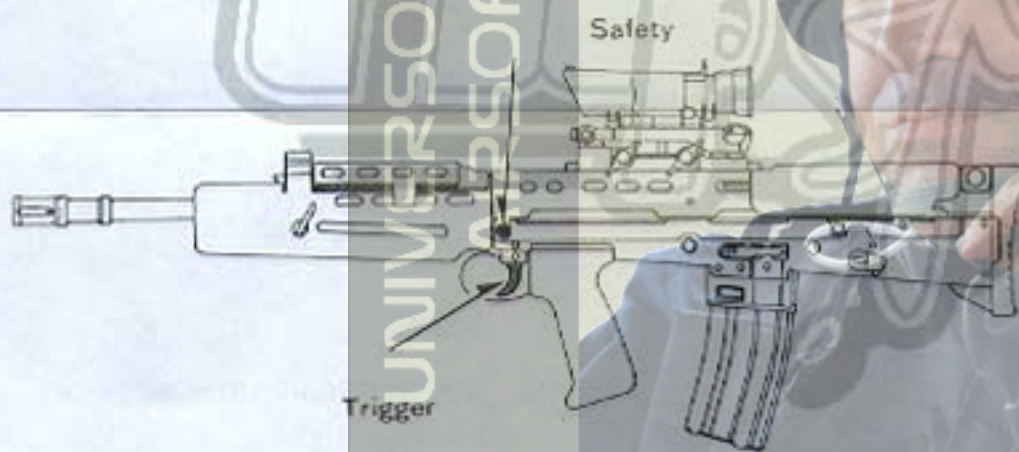
Be sure to pull cocking handle straight backward
An oblique pulling may lead to breakdown.



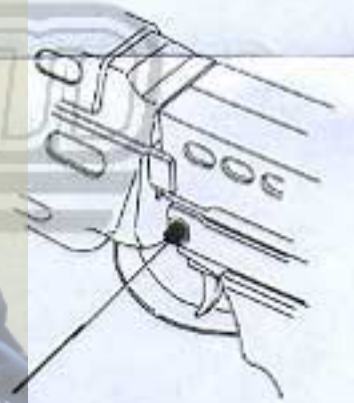
Send it back to the front.

Relocate the cocking handle to its original position.

※ Be sure to manually confirm that the cocking handle is back in its original place as the spring device may fail to do so which may cause breaking of piston.



After making sure that there is nobody nearby, set safety device at F, draw trigger to fire.

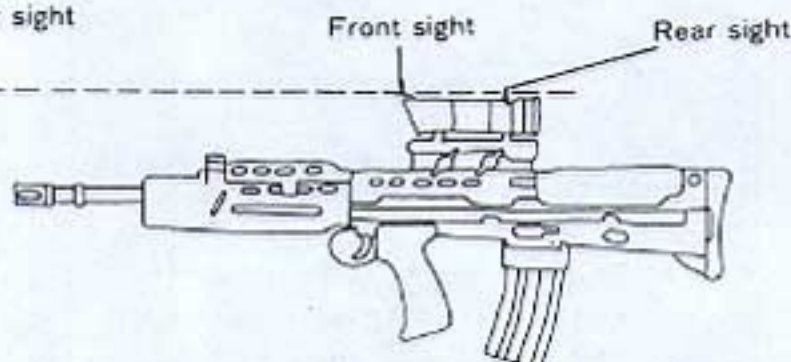
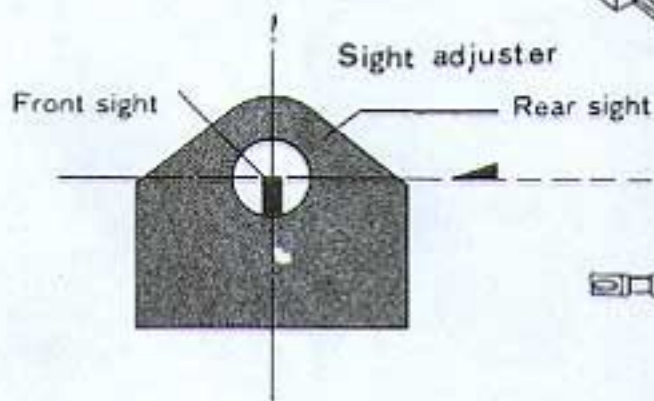


SIGHTING DEVICE.



Use sight adjuster according to the chart.
If sighting is set to D, sighting distance is about 5 meters.

Sighting U : Up
D : Down.



CAUTION!

Be sure to wear shooting glasses or goggle when shooting.

Don't aim at people and animal even if it is unloaded.

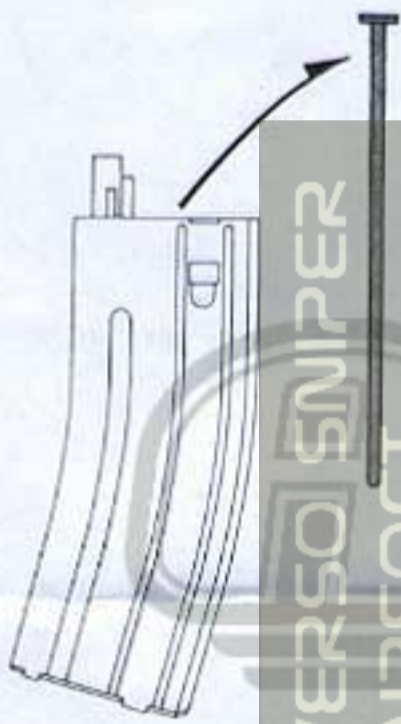
Put the gun beyond the reach of kids.

Don't touch the trigger until the moment of shooting.

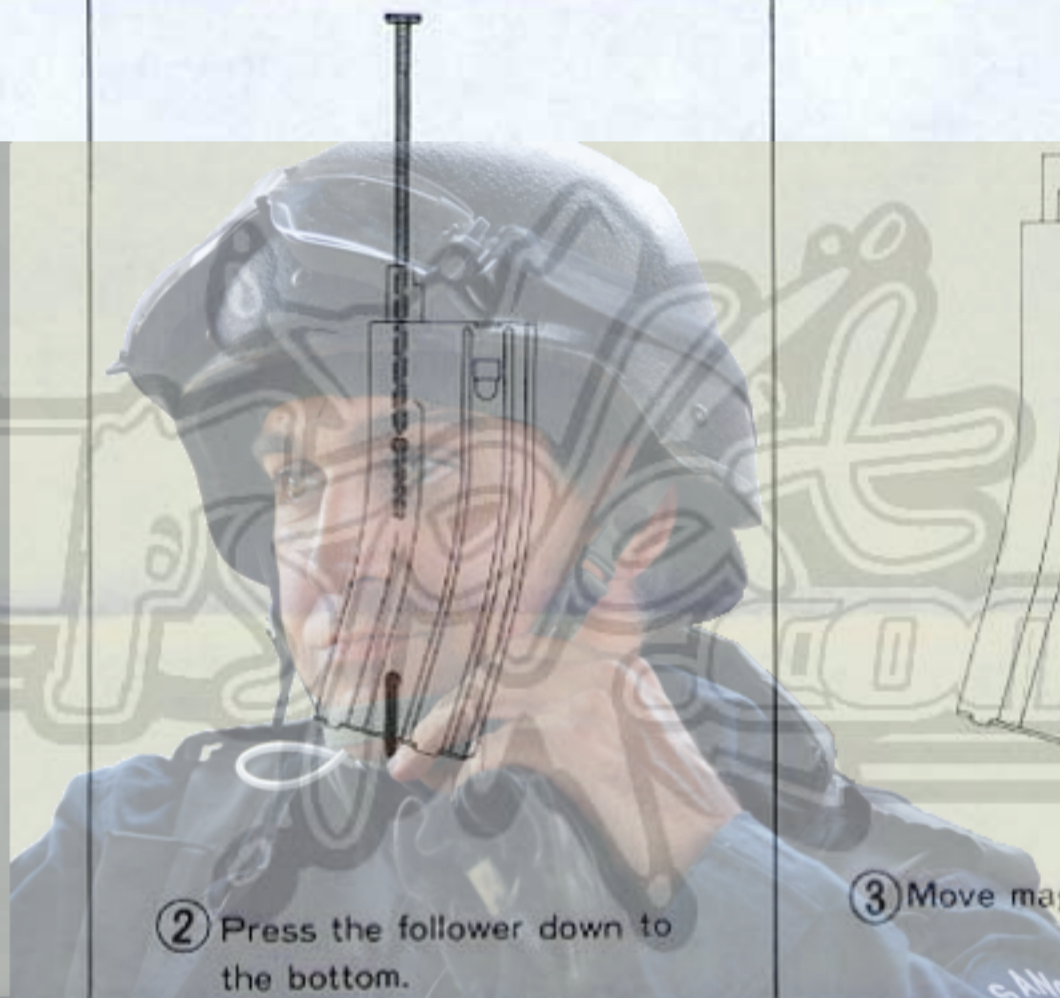
Don't peep at the muzzle.

When the gun is not in use, remove the magazine and unload BB pellets.

HOW TO USE MAGAZINE.



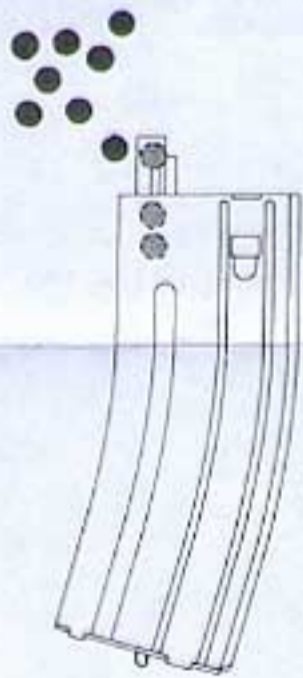
① Take out magazine load.



② Press the follower down to the bottom.



③ Move magazine loader back.



④ Load in BB pellet.
(Maximum, 25)



⑤ Pull the stretched end at the bottom of magazine backward, BB pellet will come up.

Such an operation may lead to breakdown.
Pressing a load magazine like this will lead to breakdown.

