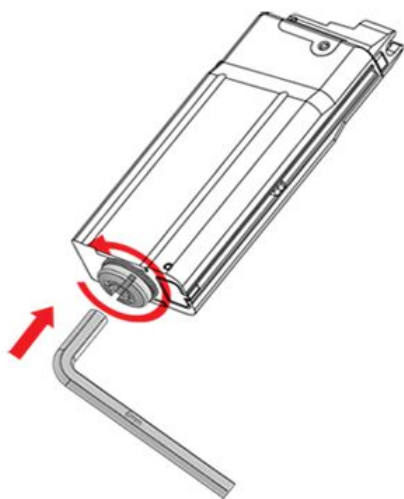


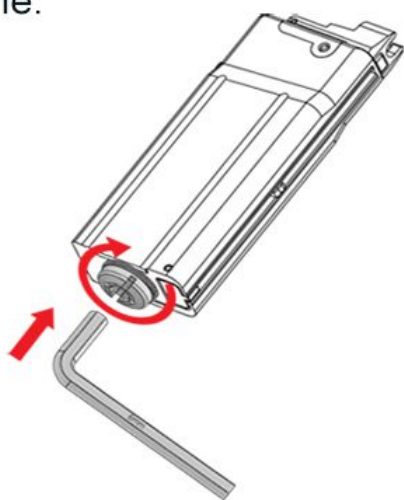
CO2 Cartridge Installation



1. Use a 6mm hex wrench, small nose plier or a coin to unscrew the end cap at the magazine bottom in anti-clockwise direction.



2. Insert the CO2 cartridge into the magazine.



3. Place the end cap back and tighten it in clockwise direction. Turn the end cap quickly once hear the gas leaking sound until the sound stop. ***For safety reason, release all the pressure inside the magazine before storing.***