



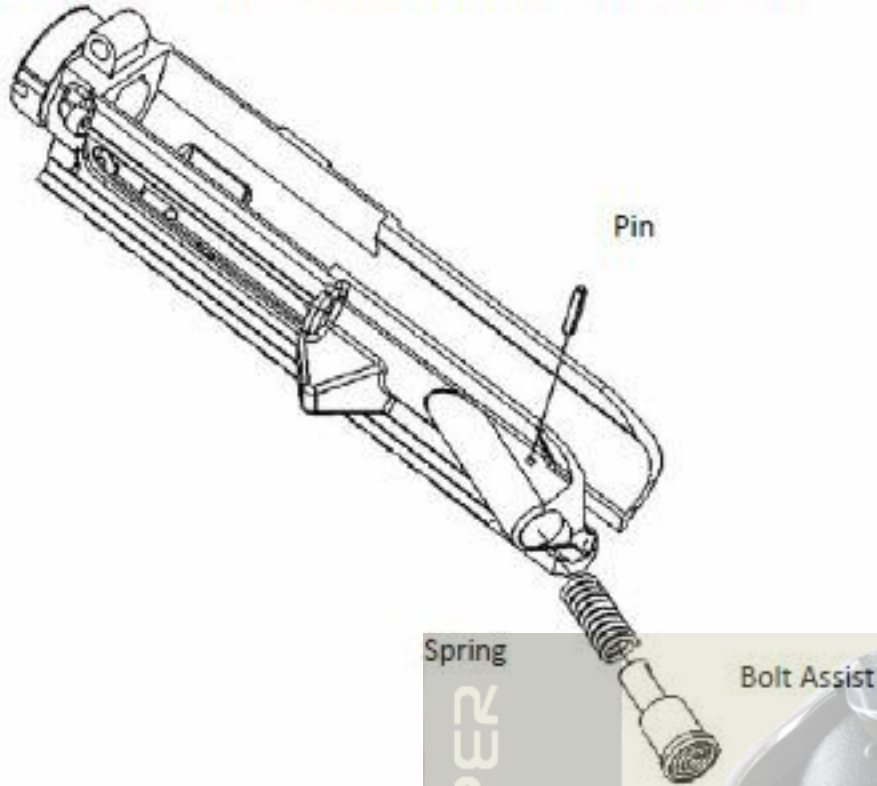
www.maddogairsoft.com

Mad Dog Airsoft

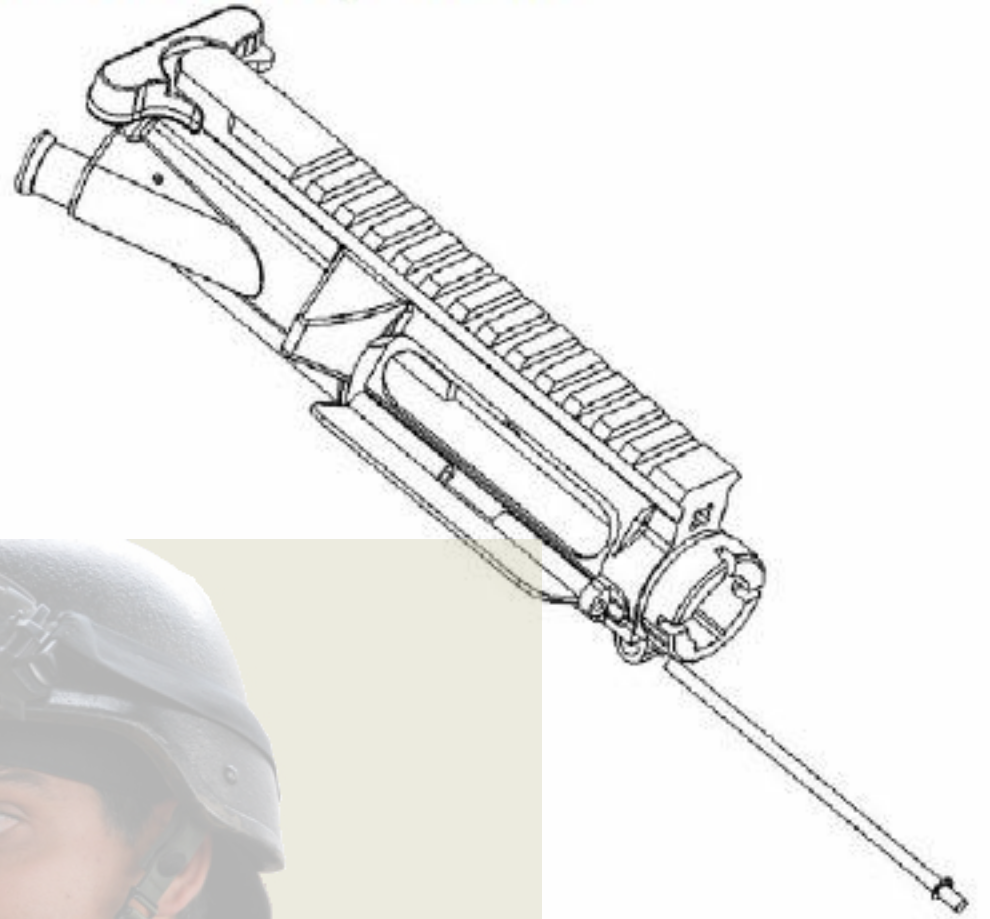
M4/M16 Frame Installation Guide for AEG Series

M4/M16 AEG Receiver Body Set with Parts

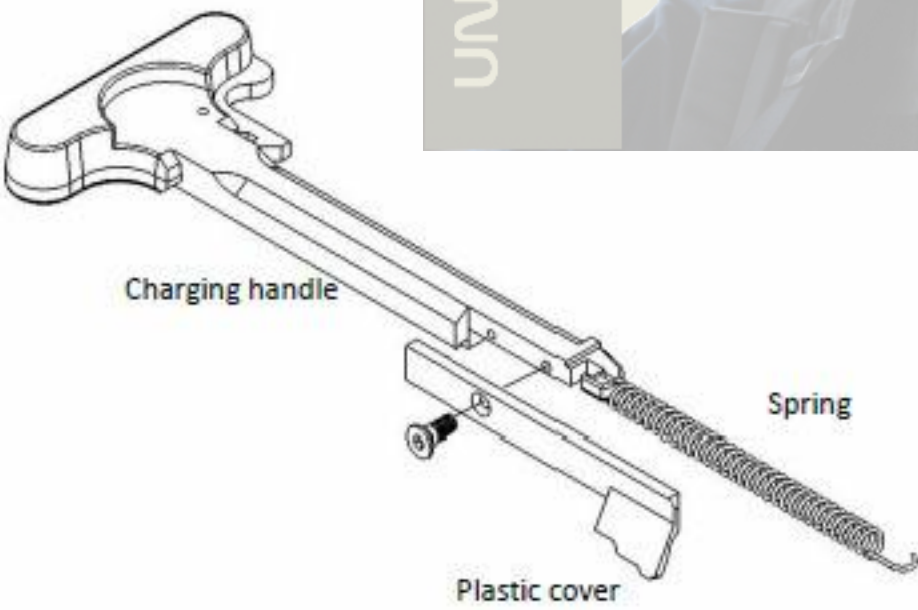
Step 01 : Insert "spring" and "bolt assist" first and use "pin" to lock down the bolt assist. Please use our spring instead of other brand.



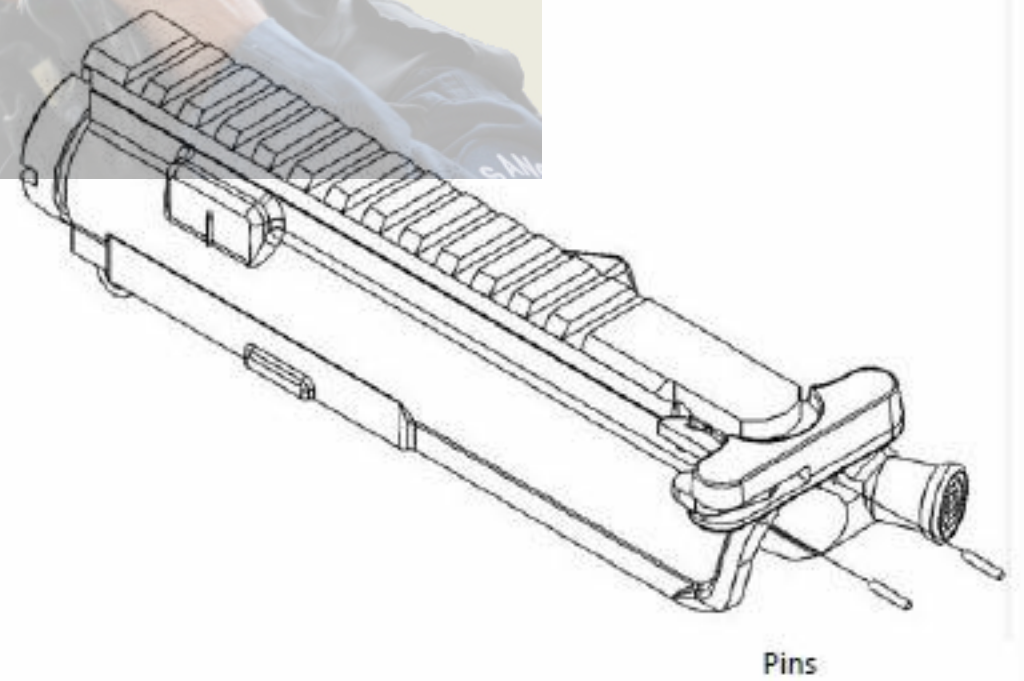
Step 04 : Insert "Dust cover pin" (not include) to install "dust cover" (not include) onto upper receiver. The methods may be varied by different brands. For example, CA and G&P v.s. TM, JG and ECHO are different. Please consult Airsoft engineer for details.



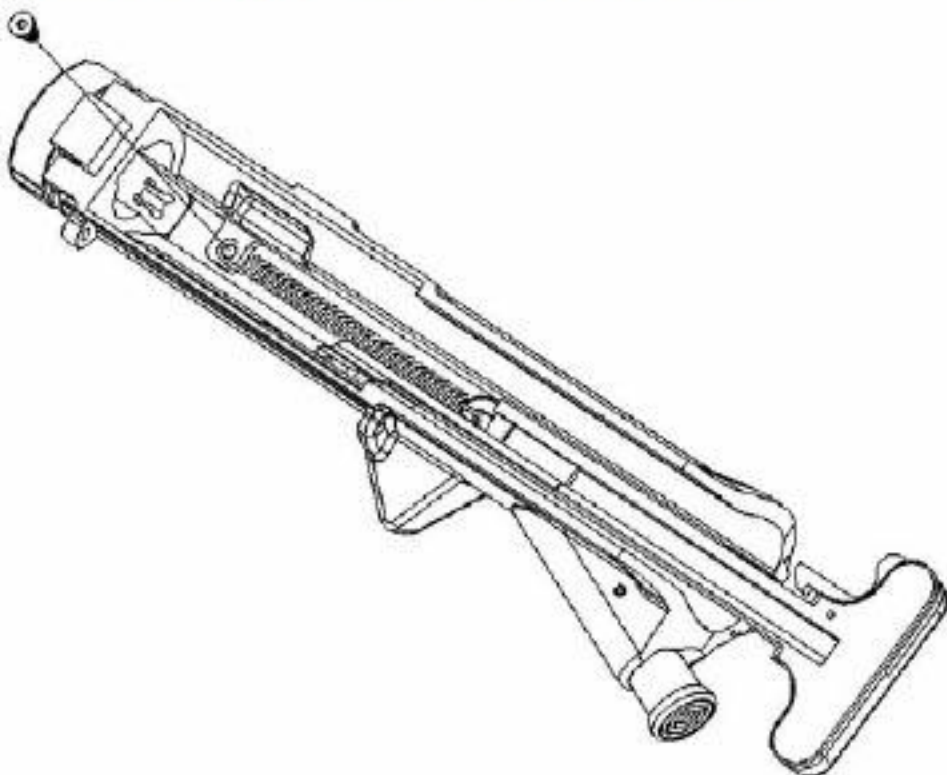
Step 02 : Install charging handle spring onto charging handle. Use screw (not include) to install "plastic cover" (not include) onto charging handle.



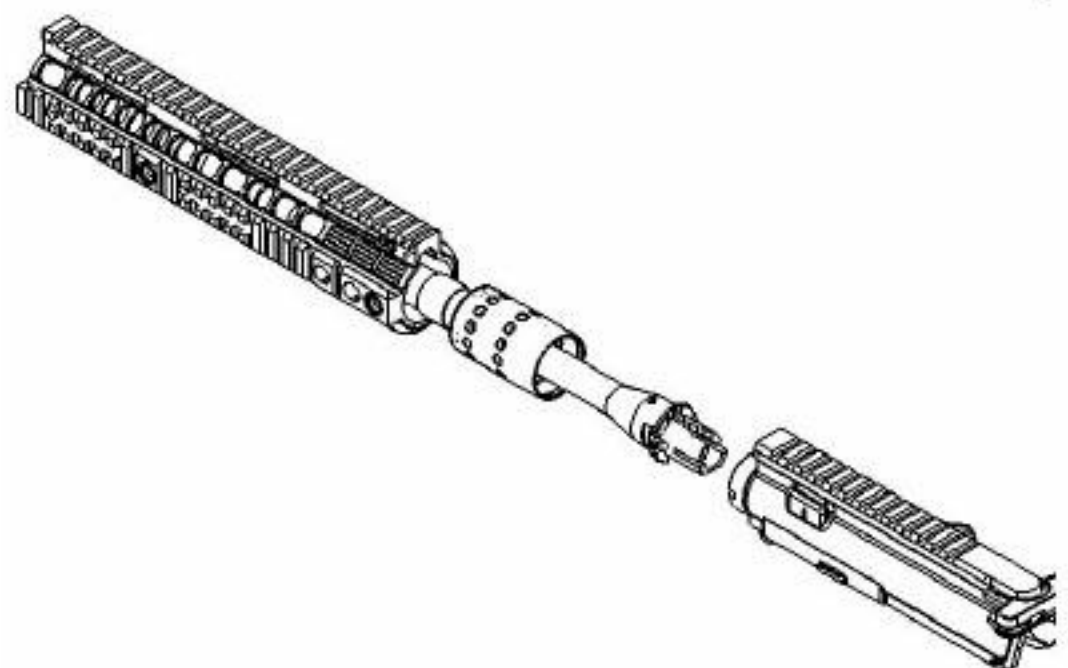
Step 05 : Install 2 pins on to upper receiver. Remember, don't use metal hammer to punch hard on these pins. Leave about 6mm length outside the upper receiver.



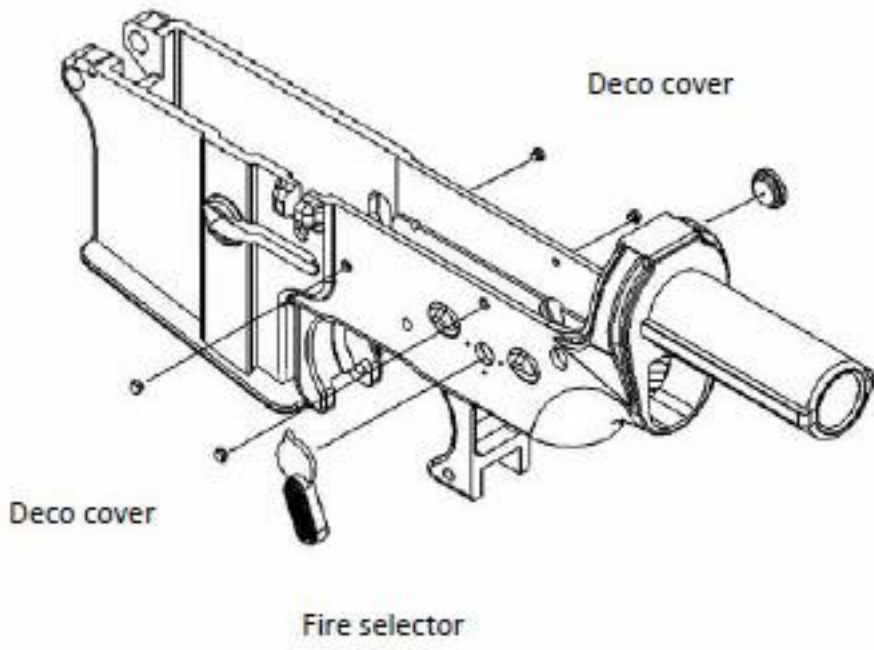
Step 03 : Use screw to lock down charging handle spring.



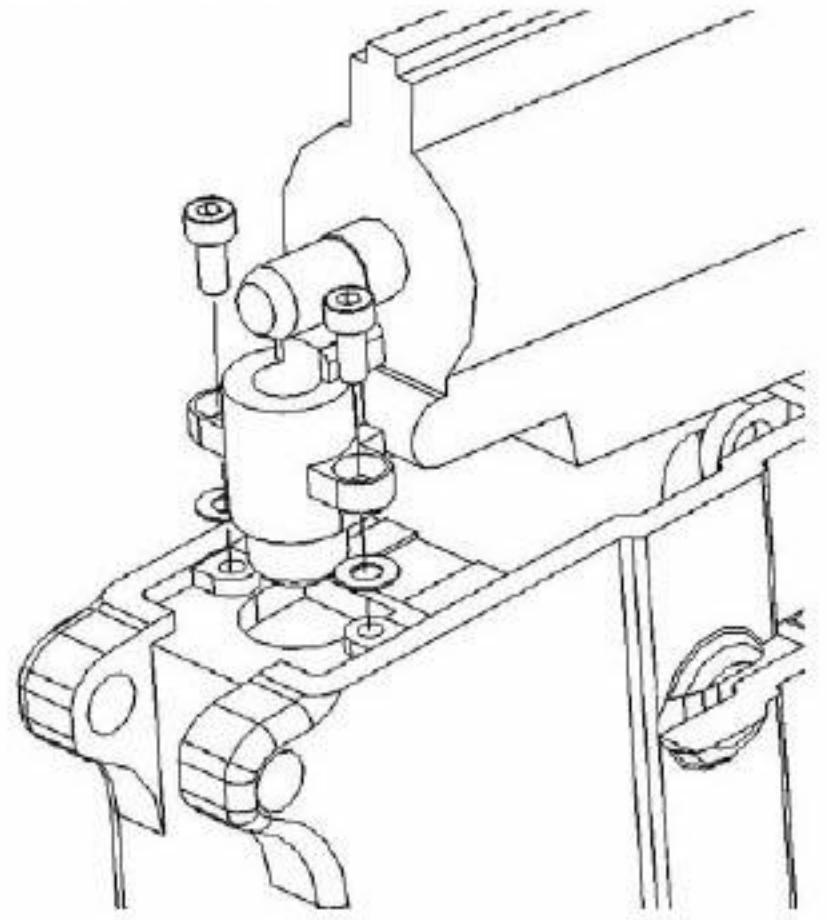
Step 06 : Install outer barrel (not include)/ flash hider (not include)/ handguard (not include)



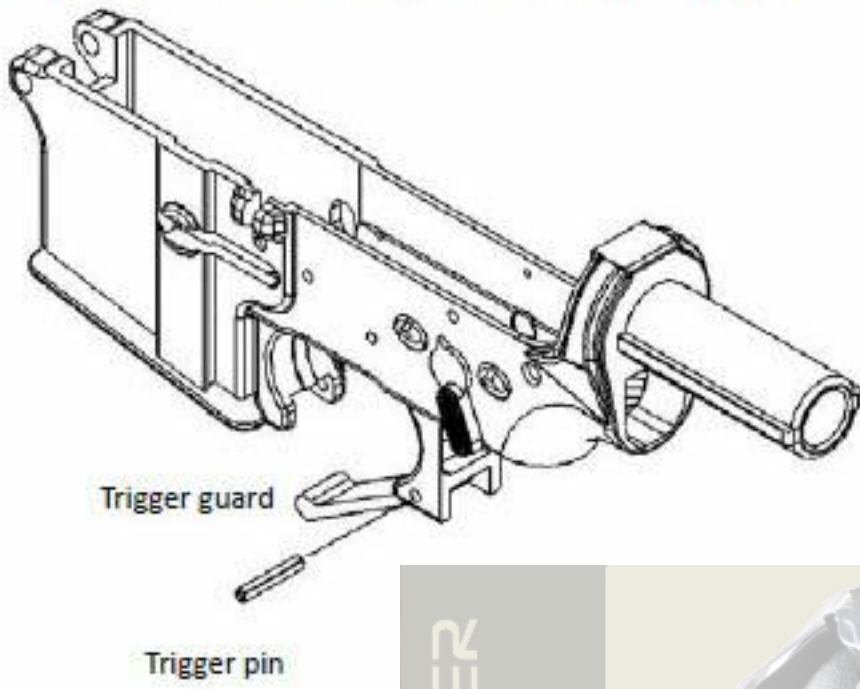
Step 07 : Install "fire selector" (not include), and use crazy glue to glue 5 decoration covers onto upper receiver.



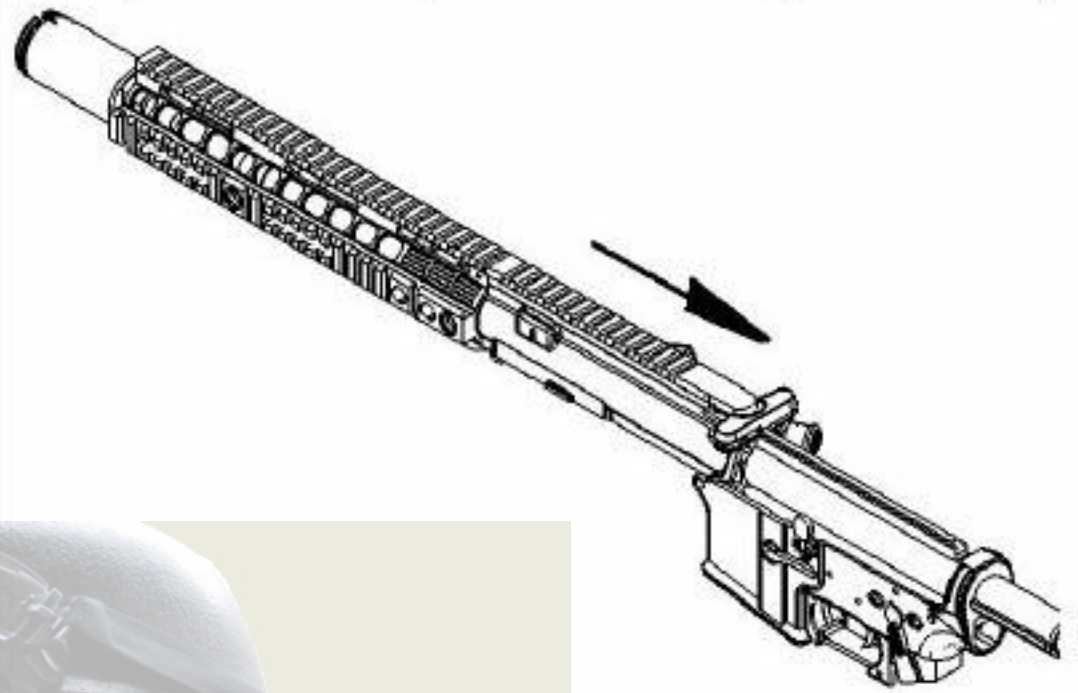
Step 10 : If you use 2 pcs hopup, please use our screw and spacer to lock hopup set onto lower receiver. Note: You have to use our screw and spacer instead of other brands.



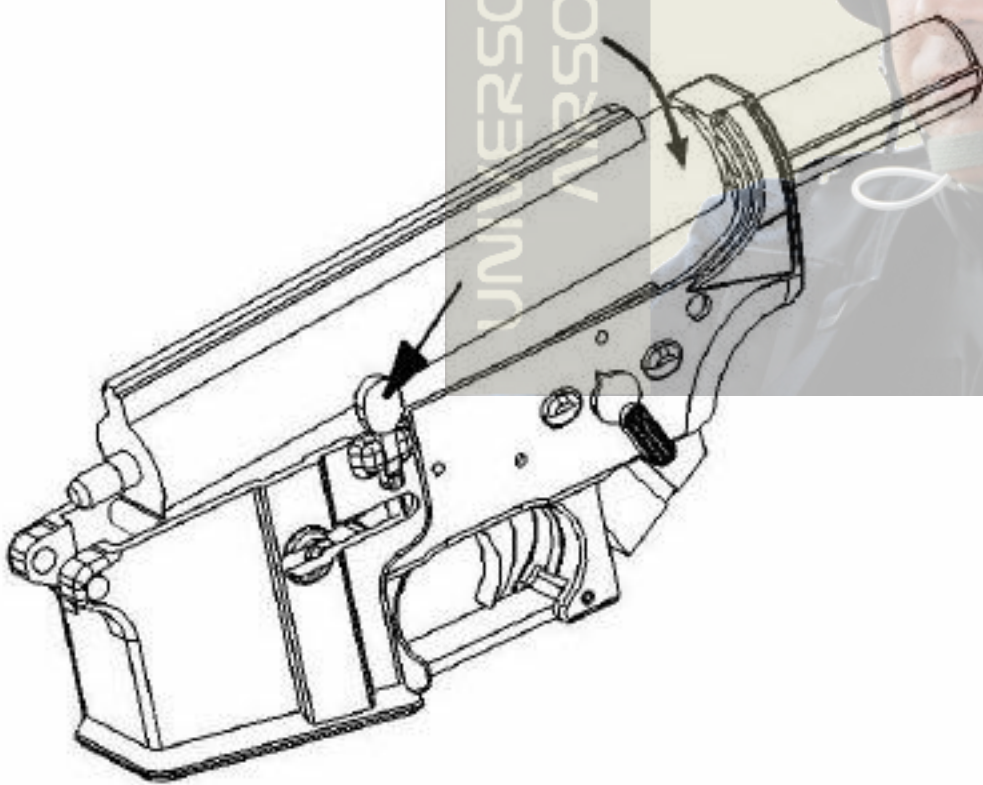
Step 08 : Use our trigger guard ping to install trigger guard (not include) You have to use our trigger guard pin instead of other brands.



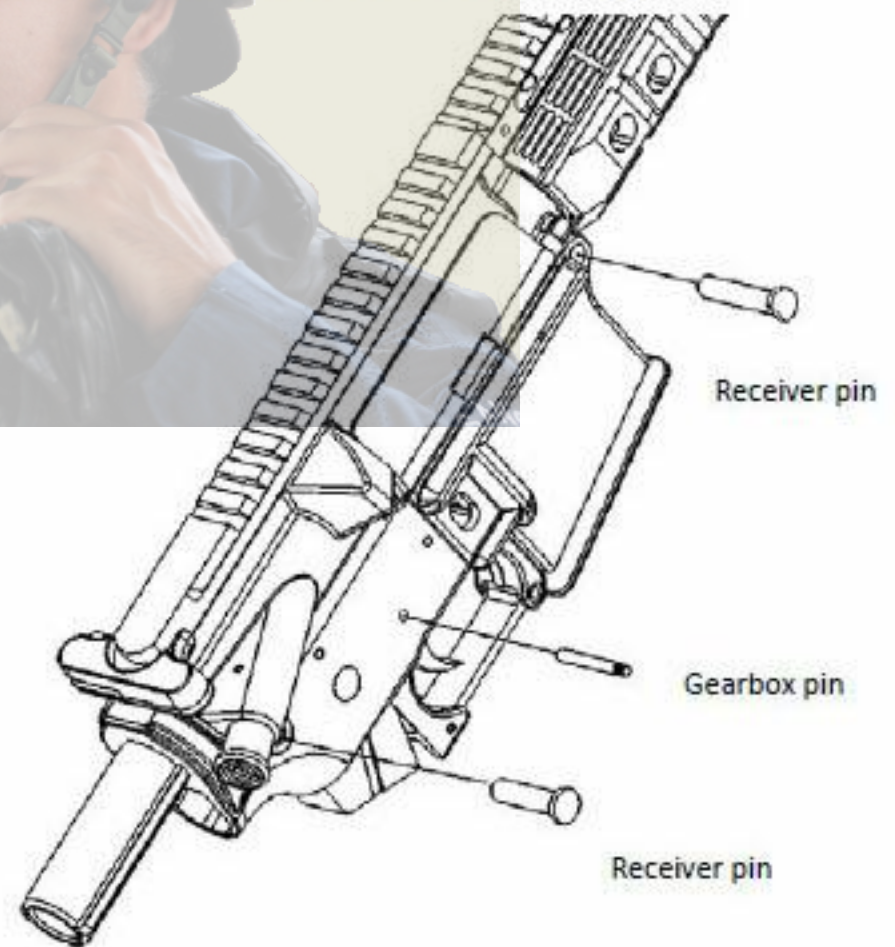
Step 11 : We strongly suggest you to ask experienced Airsoft engineer to help you install the metal body. The completed installation requires advanced knowledge and skills.



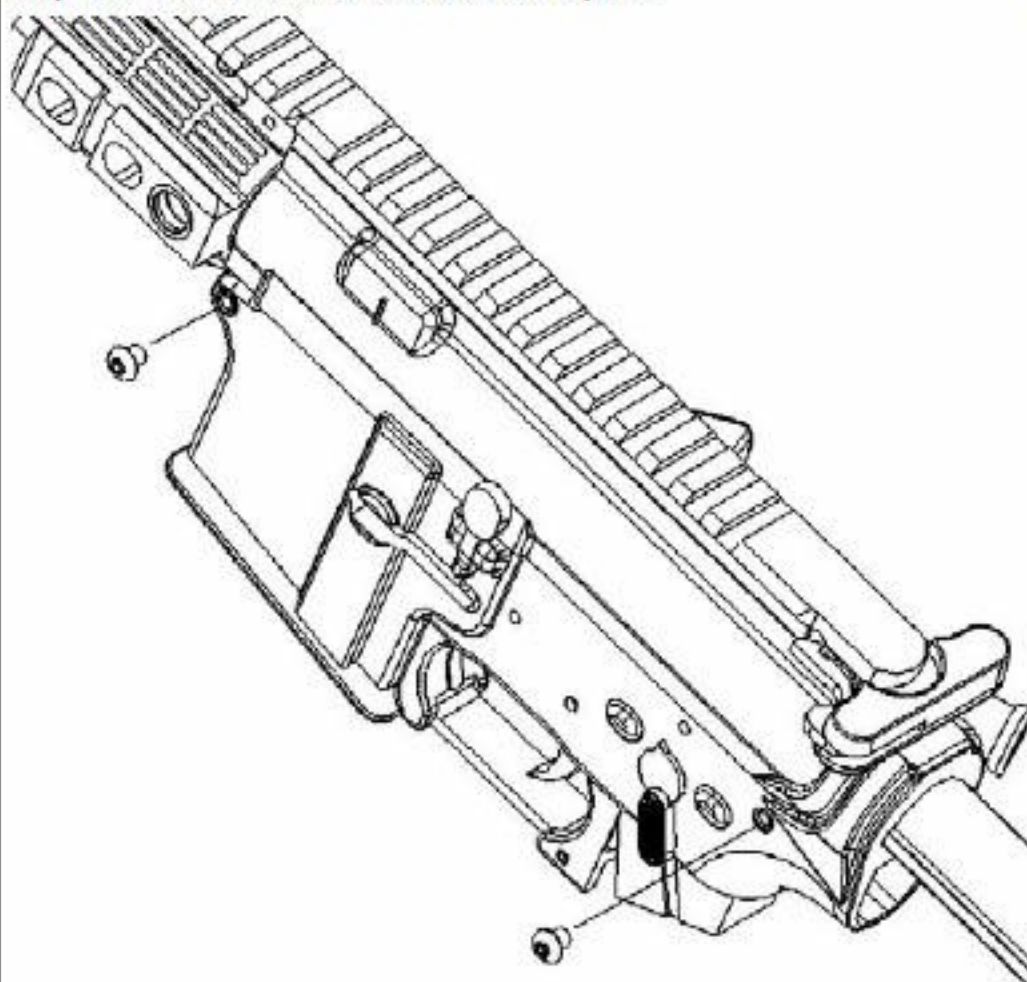
Step 09 : Install the "bolt release" and then, insert the upper receiver to lower receiver.



Step 12 : Install the gearbox pin and 2 upper/ lower receiver pins. You have to use our gearbox pin instead of other brands.



Step 13 : Use screws to lock 2 receiver pins.



Step 14 : Use "adjustment screw" to tight down the gearbox. The screw should slightly touch the gearbox instead of "push" the gearbox.

