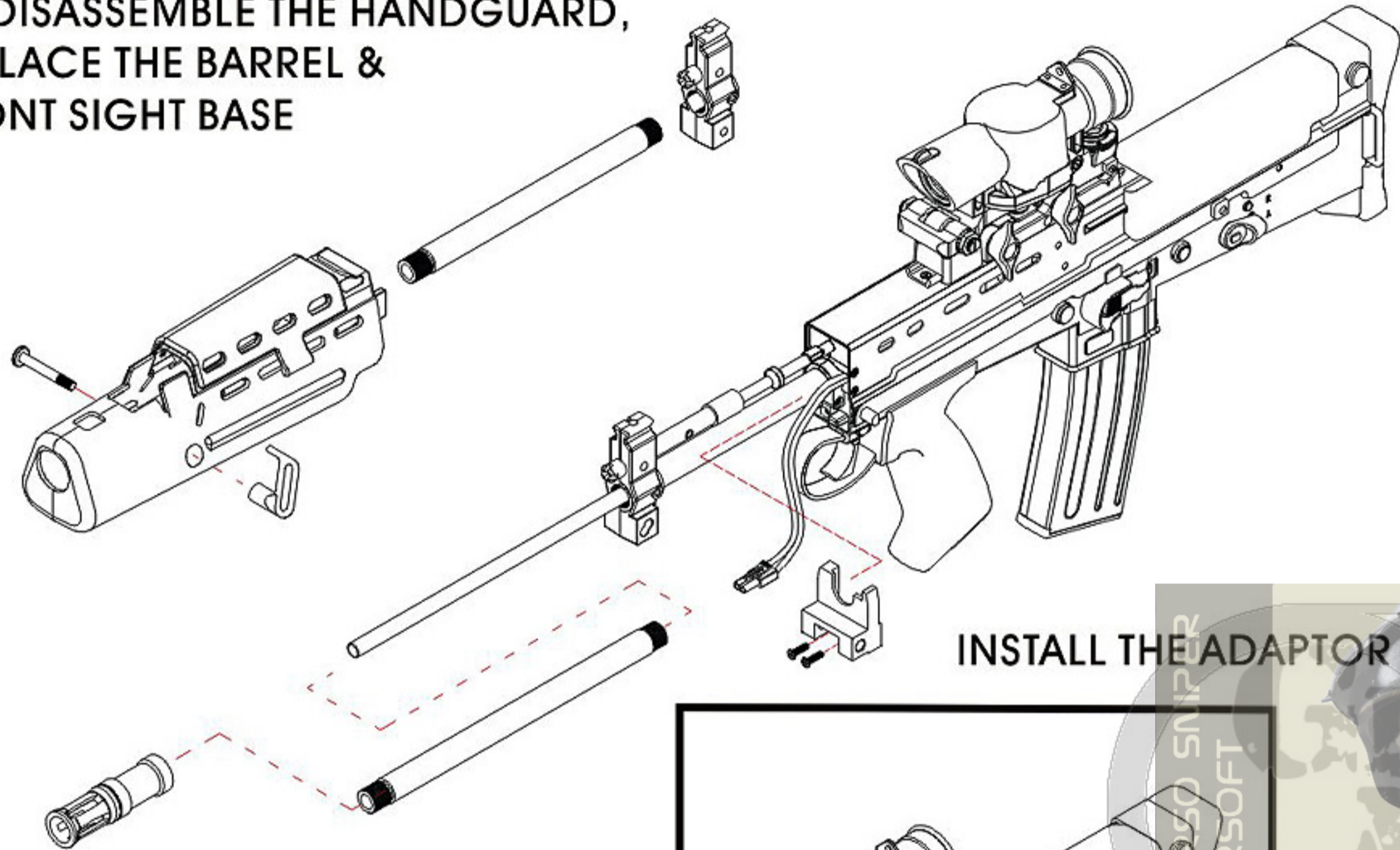
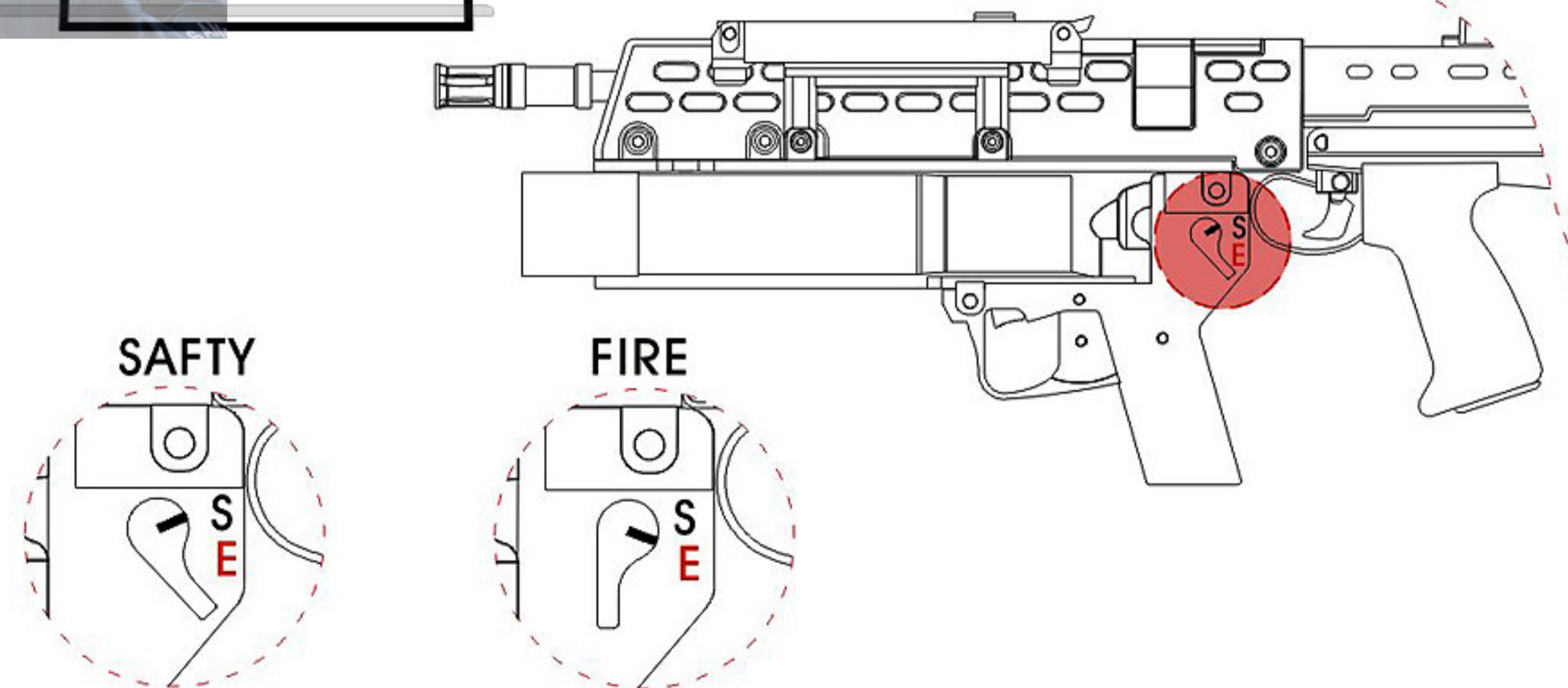
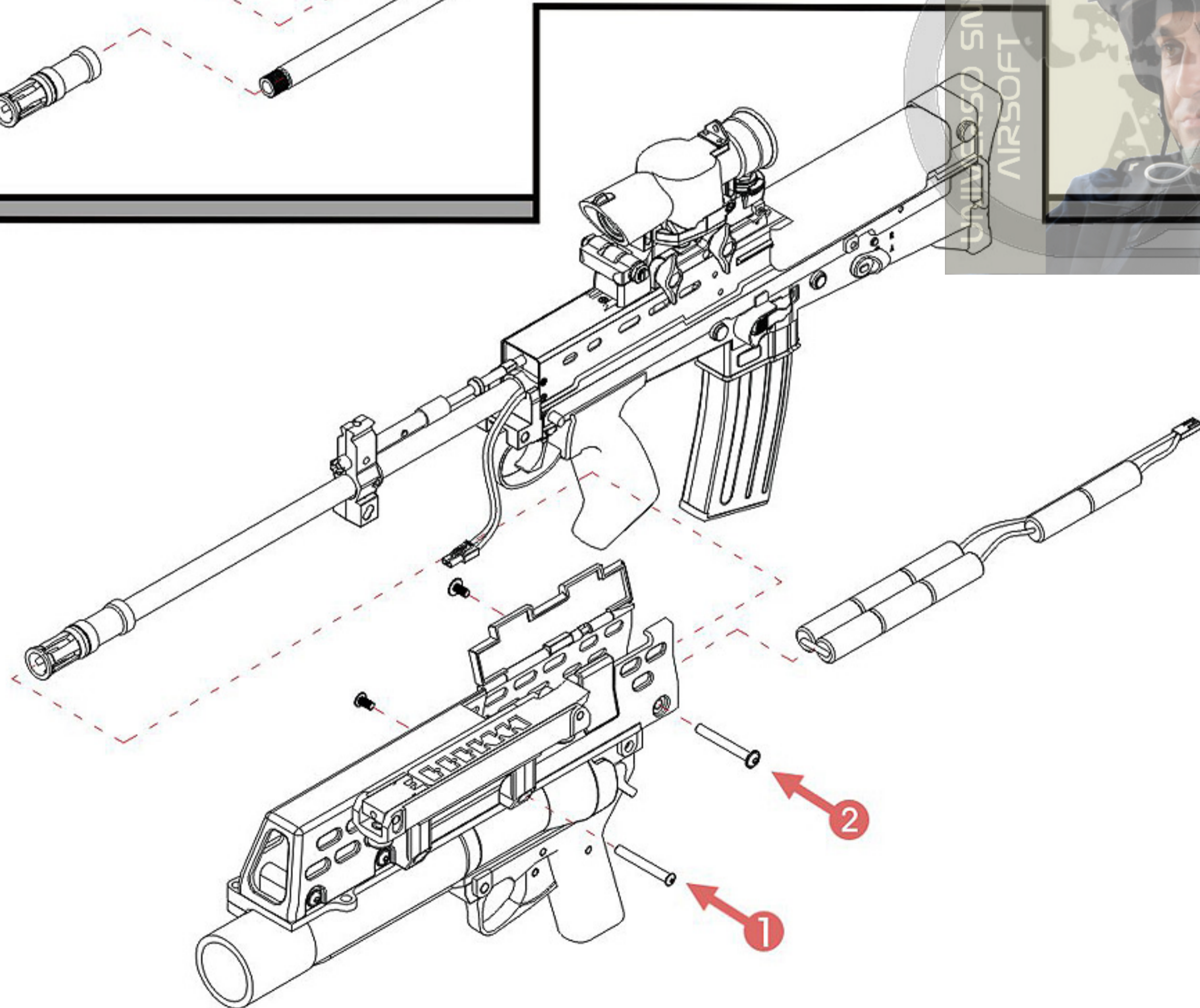
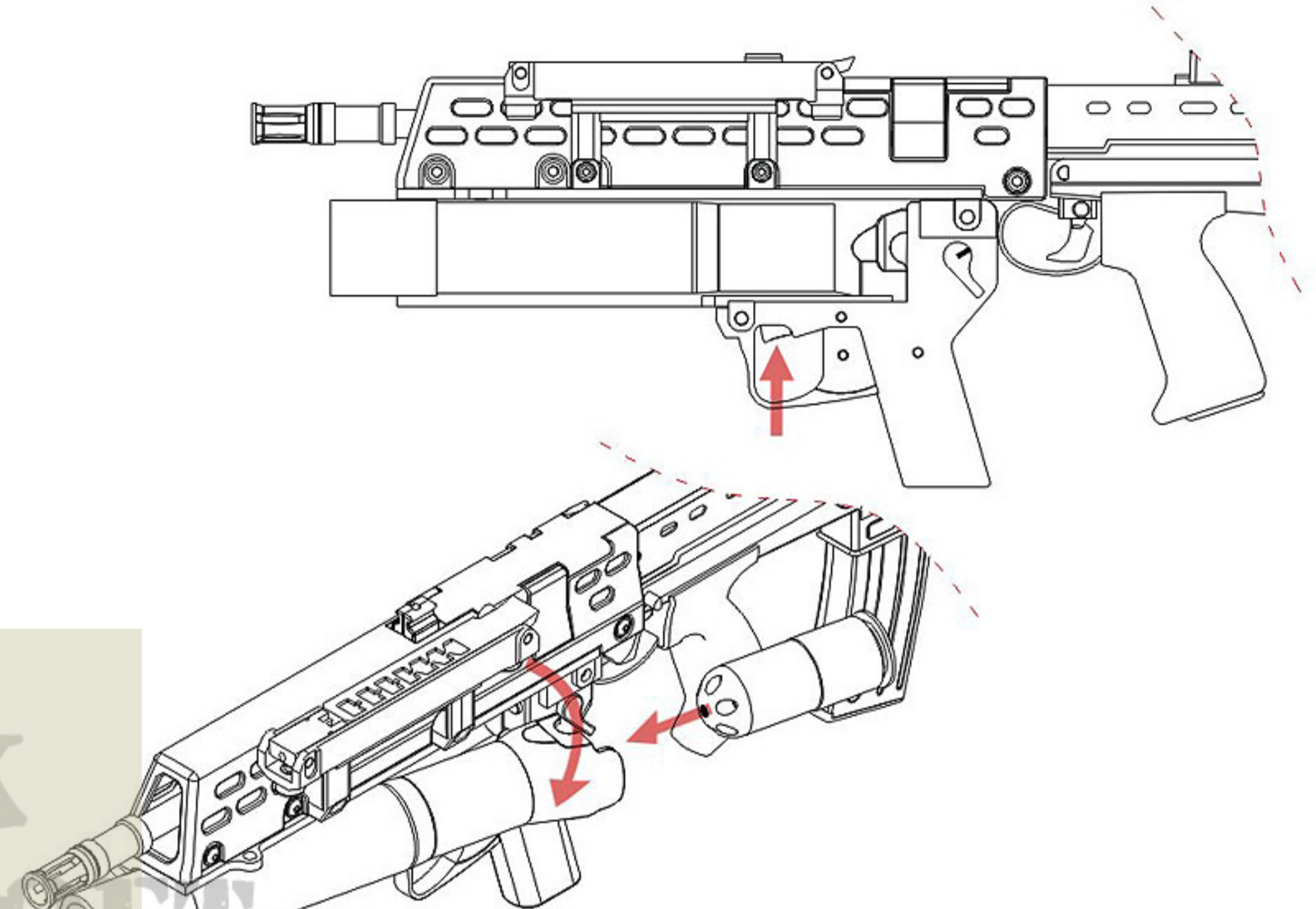


HK AG SA 80 40MM GRENADE LAUNCHER INSTALLATION GUIDE

TO DISASSEMBLE THE HANDGUARD,
REPLACE THE BARREL &
FRONT SIGHT BASE



INSTALL THE ADAPTOR



DATA OF AG SA 80

MATERIAL: NYLON FIBER, ALUMINUM ALLOY

WEIGHT: 1,922G

CAPACITY: 1 (AIRSOFT 40MM CARTRIDGE)

STAR
AIRSOFT ACCESSORIES
www.Starairsoft.com