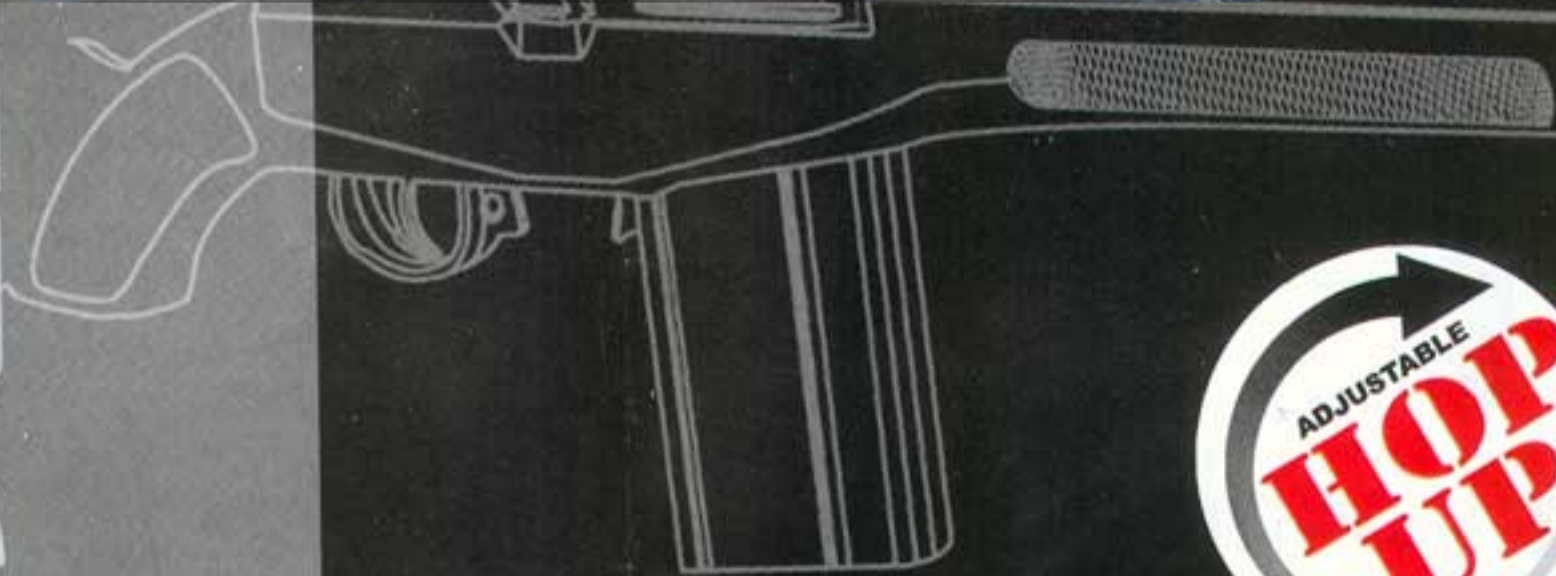


AIRSOFT



# SMITH & WATSON

UNIVERSO SUPER  
AIRSOFT

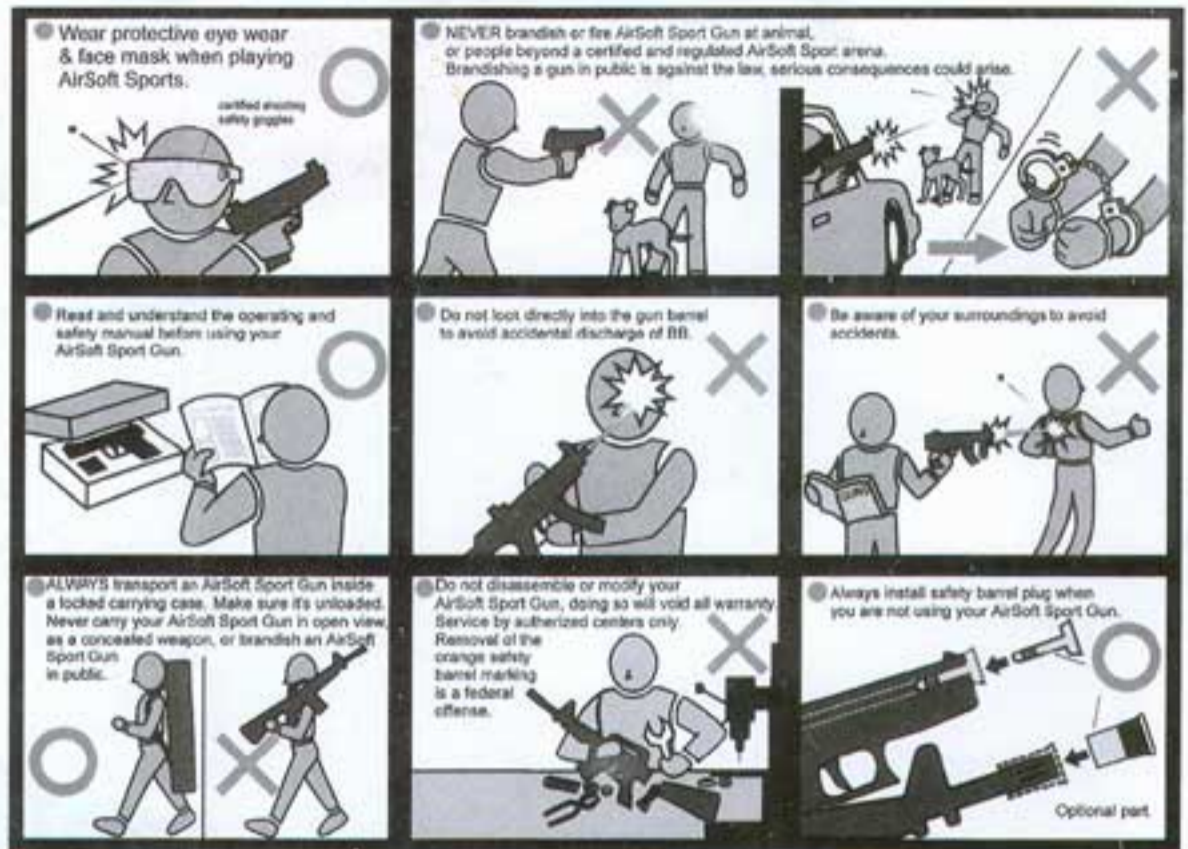


**INSTRUCTION  
MANUAL**



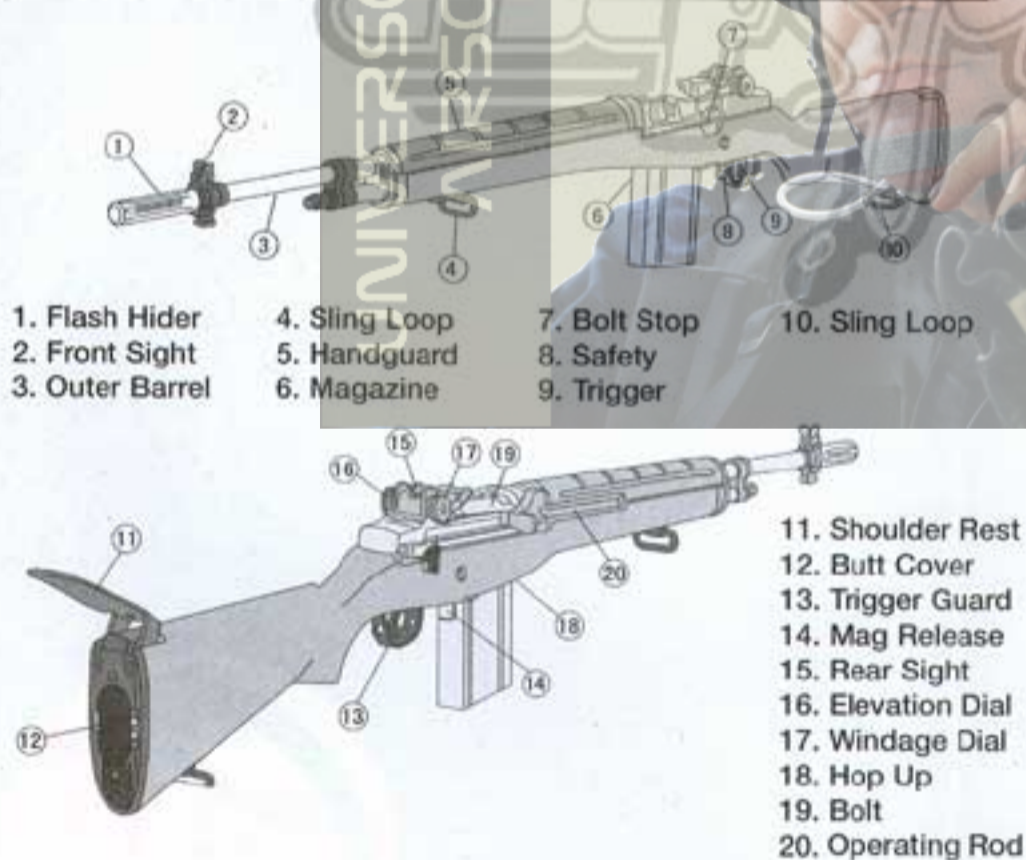
# WARNING

- This product is an airsoft airgun. It is to be purchased by person(s) age eighteen (18) years or older. Adult/parental supervision required when used by any persons under the age of eighteen.
- Be responsible, check with your local law enforcement on airsoft airgun regulations.
- Please read the operation manual and fully understand the safe handling of your airsoft airgun before use.
- Pay special attention to your surrounding area when using your airsoft airgun. Do not carry your airsoft airgun in public, in open view, or concealed. Transport your airsoft airgun, unloaded, in locked gun carrier/case. Do not brandish, point, or shoot at other people, animal, or private properties. Such actions may be perceived by others (including law enforcement officers) as a threat and prompt to react, accordingly.
- U.S. Federal regulation requires the orange marking. Do not remove, alter or impair marking. All warranty void if marking(s) are tampered with.
- Enjoy your airsoft airgun in firearm safety/handling training, movie and theatrical production applications, and regulated airsoft sports at participating playing fields and shooting ranges. Ask your airsoft dealer for details.
- Store your airsoft airgun unloaded, remove batteries, discharge of any gas or spring tension, in a safe and locked location, out of the reach of children.

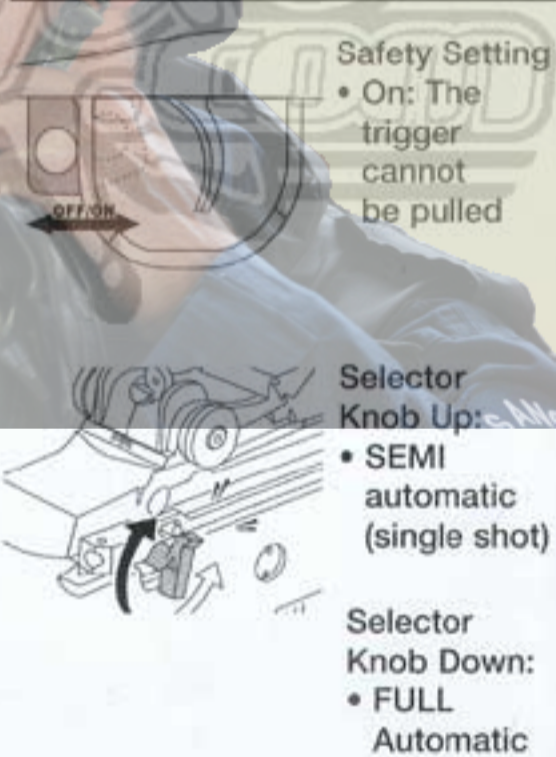


<b>WARNING</b>	
<p><b>18 Years or older</b></p> <p><b>Injury Caution</b></p> <p><b>Please read manual!</b></p> <p><b>CHOKING HAZARD</b> Keep away from small children.</p>	<p>Operation of this air gun is for training purposes only, at legal training facilities. Users will follow all applicable air gun laws and regulations. Sales and usage restricted to persons 18 years of age or older.</p> <p>Plastic BB's can reach 50 to 60 meters, and up to 300 fps. Careless shooting and mis-handling may result in severe eye damage and/or other injuries. Always wear eye and body protection. Never point or shoot at people or animals. Always follow safe handling and precautions listed in the manual. Understand fully all operations of this air gun. Use this air gun with full recognition of its caution warnings. Use within full compliance of State and local laws.</p> <p>Contact your Dealer for a replacement manual.</p>

## Component Names



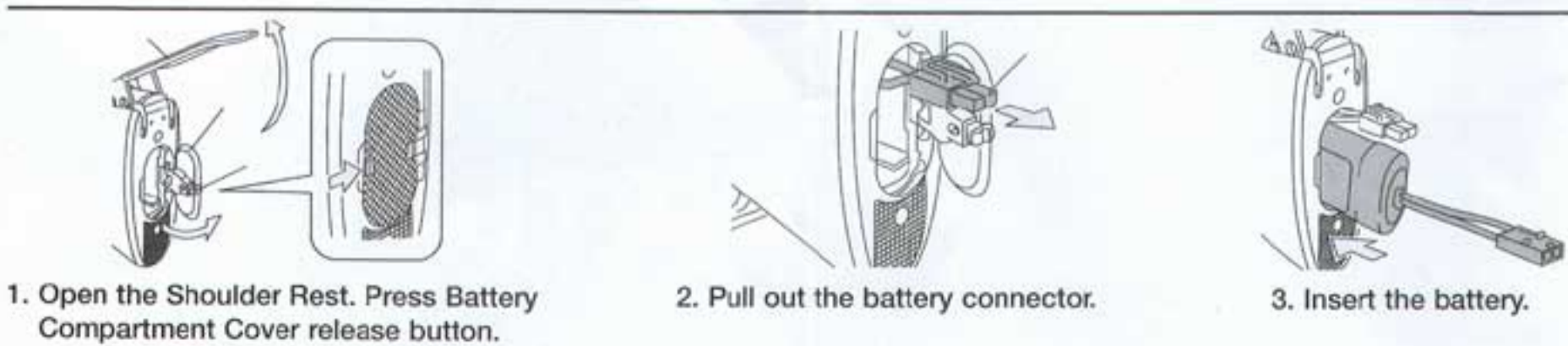
## 1 Selector Switch/Safety Setting



**WARNING**  
Pulling the trigger with the selector switch being set to safe may cause damage!

**WARNING**  
Never operate the selector switch while pulling the trigger! It may cause damage!

## 2 Installing Battery



1. Open the Shoulder Rest. Press Battery Compartment Cover release button.

2. Pull out the battery connector.

3. Insert the battery.





4. Connect the Battery with the connector.

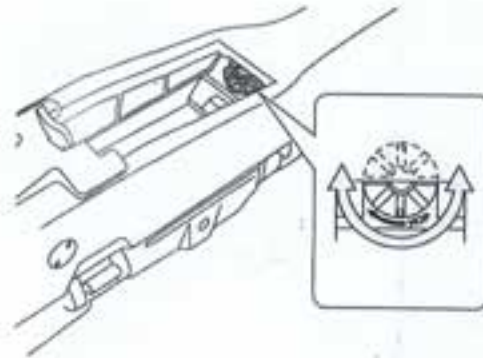


5. Put the Battery all the way back into the battery compartment and close the Cover.

### 3 Variable Hop Up System

#### WARNING

Because a precision tight bore barrel is installed. Using dirty or recycled BBs will cause a jam and damage the gearbox. Do not Recycle BBs!



• Adjustable Hop Up System

#### WARNING

Be careful not to catch your fingers in the dummy bolt

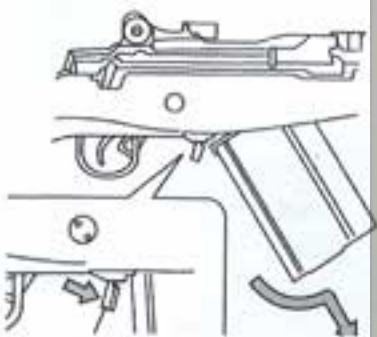
#### CAUTION

Never hold the gun sideways as the BB will curve right or left.

• The best position is when the bullets fly horizontally and the longest flying distance is obtained

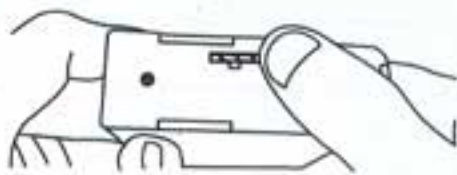


### 4 How to Use Magazine



• Press the Magazine Release Button on the gun to remove Magazine.

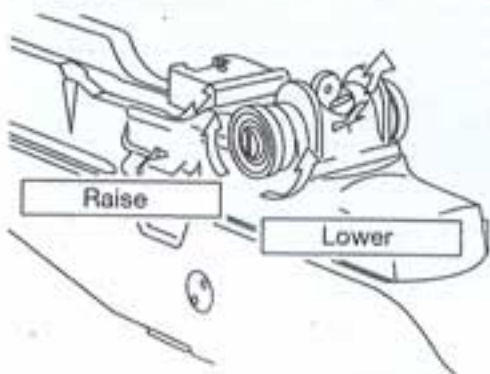
• Open the magazine hatch at the top of the magazine and insert BBs. The magazine can hold about 400 rounds.



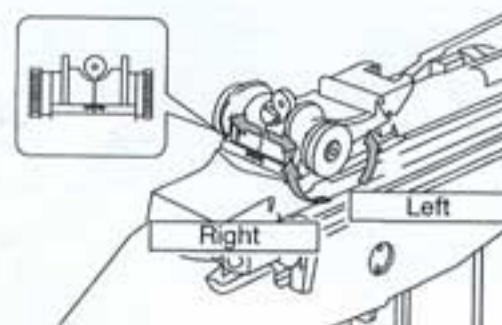
• Hold the magazine and turn the gear at the bottom. Stop turning when the magazine starts to click differently.

• Make sure the BBs move up to the exit and reinsert the magazine into the rifle, until a "Click" is heard.

### 5 Setting the Sight



• Rear Sight  
Turning left dial Clock-wise will raise rear sight.  
Turning dial Counter Clock-wise will lower rear sight.



Turning right dial Clock-wise will move the rear sight towards the right.  
Turning it Counter Clock-wise will move the rear sight towards the left.



## 6 Maintenance and Removing Clogged BB's

1. Drop a few drops of silicone oil into BB entrance. Insert BB's into the magazine and fire equivalent of 1 or 2 magazines.
2. To complete the cleaning, use the cleaning rod (with cotton) as shown below, to remove excess oil.



BB entrance

- Use a few drops of silicone or Teflon oil.

- Hold at the leading end of the rod and insert the rod into the barrel while turning the rod.

- Removing Clogged BBs (Set the Safety button to ON and remove the magazine beforehand.)

- Cut the cotton to the size shown. Adjust the length accordingly so that it can be inserted smoothly into the barrel

Cotton cloth. Width:  
Approx. 10mm  
Length: Approx  
25~30mm

Wind the cut cloth

NOTE: Inserting the rod will be difficult if you hold rod at the end.

1. Remove the magazine and then the barrel assembly
2. Return hop up dial to Normal position and insert cleaning rod from the lead edge of the barrel.
3. Be careful so that the angled part of the cleaning rod faces down, and remove clogged BBs

Barrel assembly

Make sure to clean the barrel chamber whenever BBs are removed.

## 7 Parts



## Troubleshooting

SYMPTOM	CAUSE	ACTION
No operation at all	Safety lever set to "ON"	Set the Safety lever to "OFF" Position
	Battery is not charged	Charge the battery
	Battery connector is disconnected	Connect the connector
	Expired motor life (50,000)	Replace the motor
	FUSE is blown out	Replace the FUSE
Motor is revolving but gun doesn't work	Faulty Gear	Purchase the replacement gear from the dealer
	Bullets are clogged in the chamber	Using the cleaning rod to remove the bullet
	Bullets are clogged in the magazine	Shake the magazine
Malfunction of SEMI auto	Deviation in gear timing	Set to SEMI after firing 2-3 sec in Full AUTO
	Faulty gear lever	Purchase the replacement parts from the dealer
Malfunction of FULL auto	Deviation in gear timing	Set to SEMI first then set to Full AUTO again
	Faulty gear lever	Purchase the replacement parts from the dealer
Firing cycle slow	Insufficient battery power	Charge the battery
Shooting distance short	HOP UP system doesn't working	Adjust HOP UP
	Faulty BB bullets	Please use only high quality precision BB's
	Faulty O-ring	Purchase the replacement parts from the dealer
Loud, or Other	Doesn't operate correctly	Contact TeamSD Service Center

