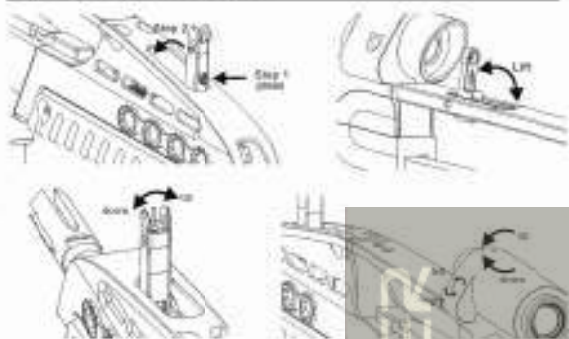
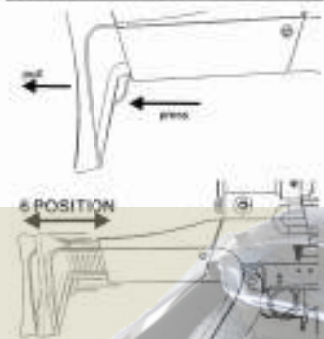


5 Setting the Sight

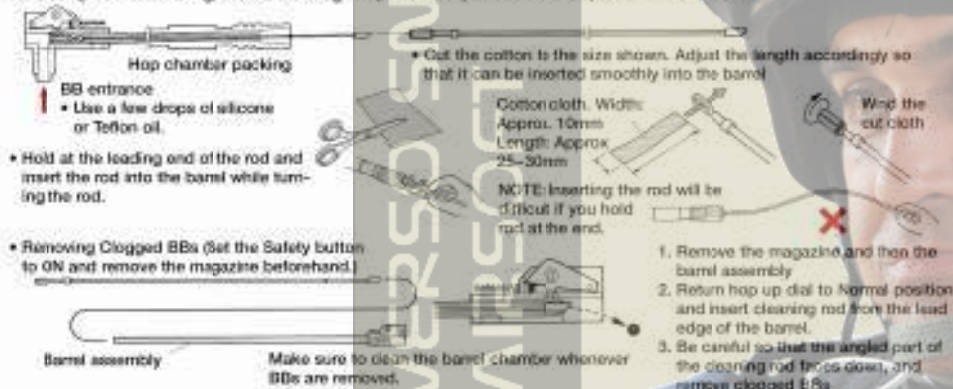


6 The 6 Position Stock



7 Maintenance and Removing Clogged BB's

- Drop a few drops of silicone oil into BB entrance. Insert BB's into the magazine and fire equivalent of 1 or 2 magazines.
- To complete the clearing use the cleaning rod [with cotton] as shown below, to remove excess oil.



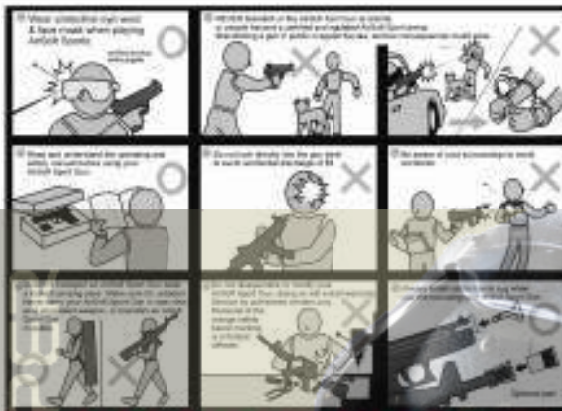
Troubleshooting

SYMPTOM	CAUSE	ACTION
No operation at all	Selector lever set to SAFE	Set the selector lever to AUTO or SEMI
	Battery is not charged	Charge the battery
	Battery connector is disconnected	Connect the connector
	Expired motor life (5,000)	Replace the motor
	FUSE is blown out	Replace the FUSE
Motor is revolving but gun doesn't work	Faulty Gear	Purchase the replacement gear from the dealer
	Bullets are clogged in the chamber	Using the cleaning rod to remove the bullet
Malfunction of SEMI auto	Bullets are clogged in the magazine	Shake the magazine
	Deviation in gear timing	Set to SEMI after firing 2-3 sec in Full AUTO
	Faulty gear lever	Purchase the replacement parts from the dealer
Malfunction of FULL auto	Deviation in gear timing	Set to SAFE first then set to Full auto again
	Faulty gear lever	Purchase the replacement parts from the dealer
Firing circle slow	Insufficient battery power	Charge the battery
Shooting distance short	HOP UP system doesn't working	Adjust HOP UP
	Faulty BB bullets	Please use only high quality precision BB's
	Faulty O-ring	Purchase the replacement parts from the dealer
Loud, or Other	Operation doesn't correctly	Contact TeamSD Service Center



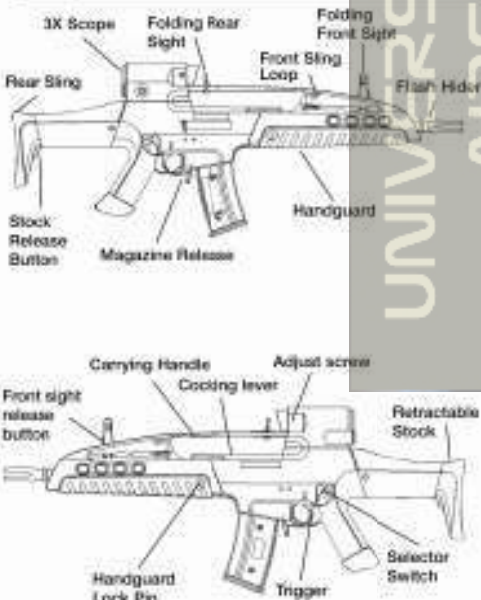
WARNING

- This product is an airsoft gun. It is to be purchased by persons age eighteen (18) years or older. Adult/parental supervision required when used by any persons under the age of eighteen.
- Be responsible, check with your local law enforcement on airsoft gun regulations.
- Please read the operation manual and fully understand the safe handling of your airsoft airgun before use.
- Pay special attention to your surrounding area when using your airsoft airgun. Do not carry your airsoft airgun in public, in open view, or concealed. Transport your airsoft airgun, unloaded, in locked gun carrier/case. Do not brandish, point, or shoot at other people, animal, or private properties. Such actions may be perceived by others (including law enforcement officials) as a threat and prompt to react, accordingly.
- U.S. Federal regulation requires the orange marking. Do not remove, alter or imitate marking. All warranty void if marking(s) are tampered with.
- Enjoy your airsoft airgun in firearm safety/handling training, movie and theatrical production applications, and regulated airsoft sports at all participating playing fields and shooting ranges. Ask your airsoft dealer for details.
- Store your airsoft airgun unloaded, remove batteries, discharge of any gas or spring tension, in a safe and locked location, out of the reach of children.



WARNING	
18 Years or older	Operation of this air gun is for training purposes only. All legal training firearms laws and rules of acquisition are in force and regulations apply. This air gun is not to be used for any purpose other than training.
Injury Caution	Wounds may result from BBs striking the face, head, neck, eyes, ears, nose, mouth, and other exposed areas. BBs may also cause eye damage and other injuries. Always wear eye and other protection. Do not point or shoot at anyone.
Read the manual!	Read the instruction manual for this air gun. Use the air gun only for training purposes. Do not use for any other purpose. Use only the accessories listed in the manual.
CHORRUMUZUO	© 2015. All rights reserved. Contact your Dealer for a replacement manual.

Component Names



1 Selector Switch/Safety Setting



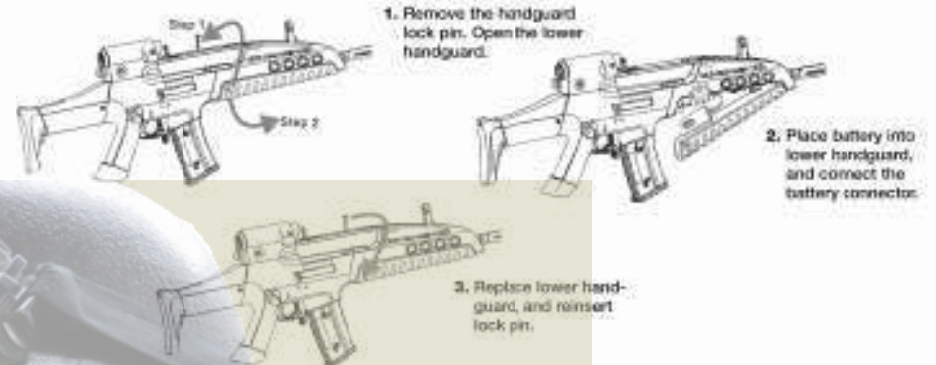
WARNING

Pulling the trigger with the selector switch being set to safe may cause damage!

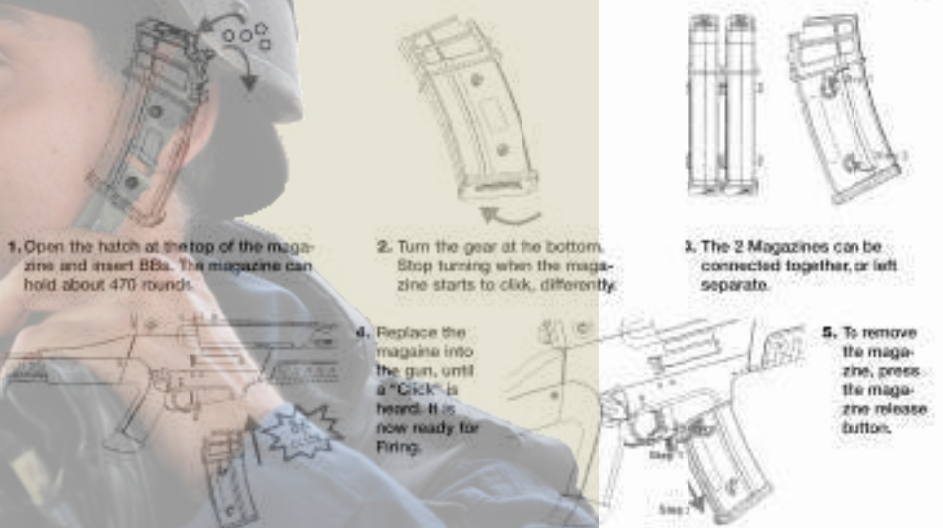
WARNING

Never operate the selector switch while pulling the trigger! It may cause danger!

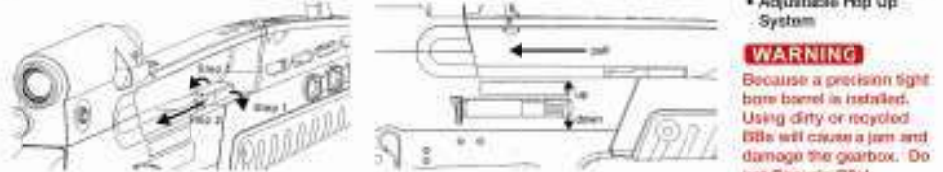
2 Inserting Battery



3 How to Use Magazine



4 Hop Up Adjustment



Adjustable Hop Up System

WARNING

Because a precision tight bore barrel is installed. Using dirty or recycled BBs will cause a jam and damage the gearbox. Do not Recycle BBs!