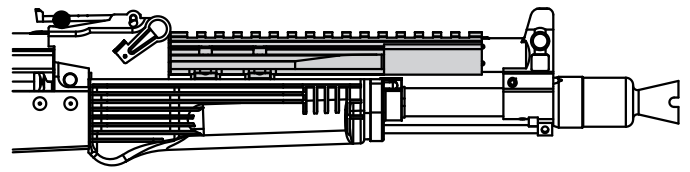
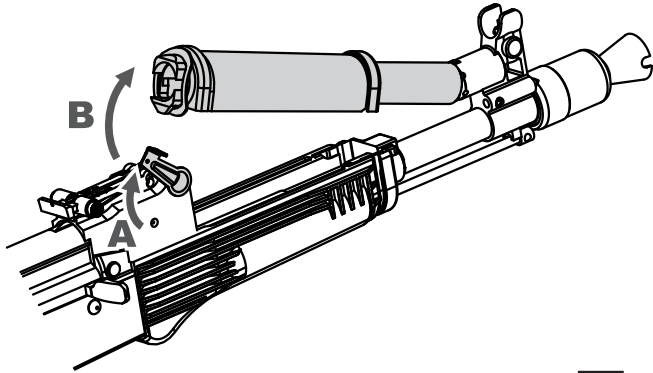


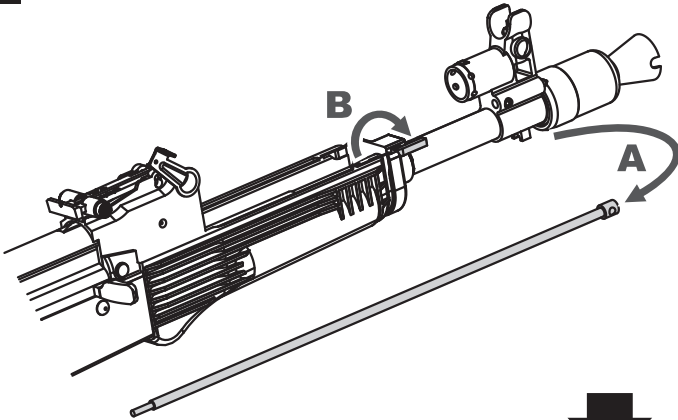
AK Optics Mount Installing Manual



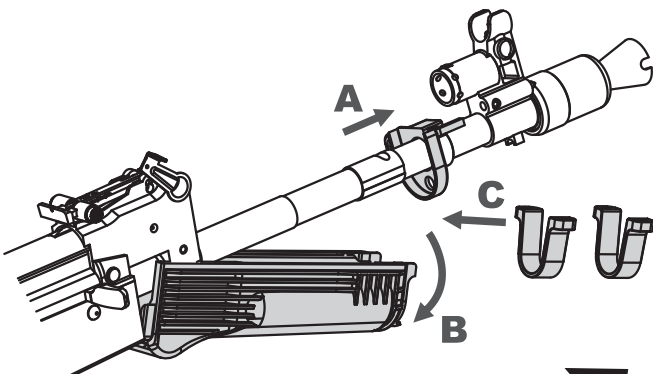
1 Take down the upper hand guard.



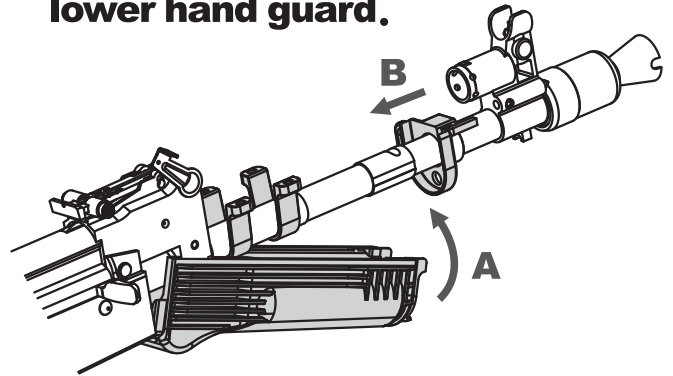
2 Take out the cleaning rod.



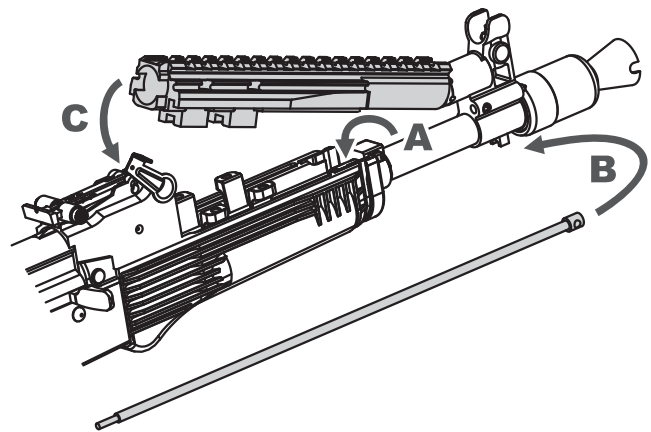
3 Take down the lower hand guard.



4 Put the U Clamps under the barrel and then install the lower hand guard.



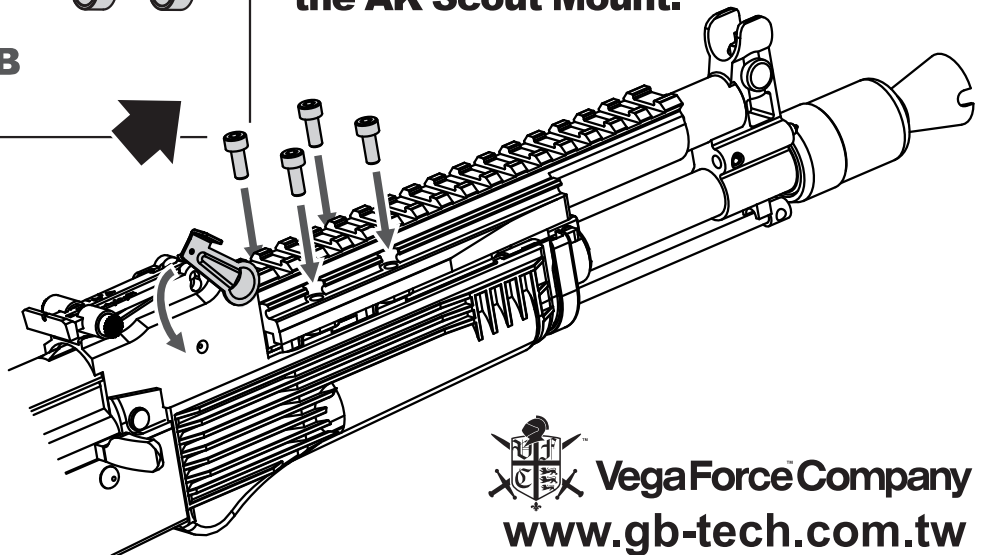
5 Install the AK Scout Mount instead the upper hand guard and cleaning rod.



Turn the screw clockwise to tighten the AK Scout Mount.

6 Finish

You can install any M1913 spec scope on the mount.



VegaForce Company
www.gb-tech.com.tw