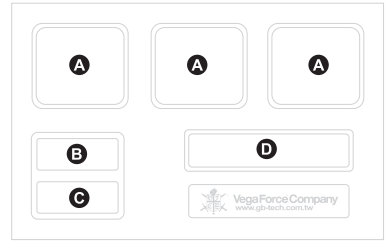
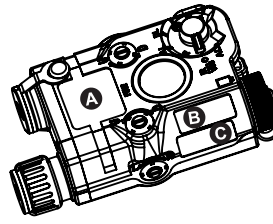
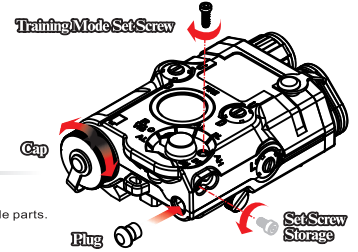


Stick the Labels

依圖所示貼上指定號碼之標籤
As the figure, stick the labels on the battery case.

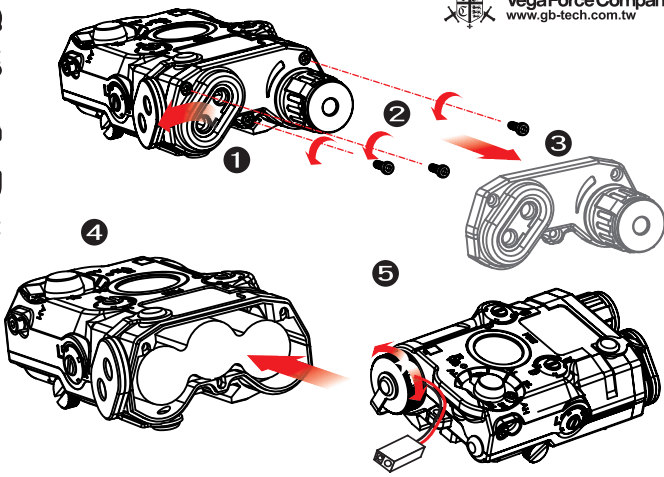


Moveable Parts

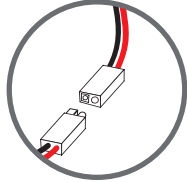


CAUTION

※非可動部位請勿旋轉拆卸。
Please don't disassemble and turn the non-moveable parts.



1. 將前鏡頭大護蓋移到一側。
Pull the cap and move to another side.
2. 依序取下前蓋固定螺絲。
Loose the front cap screws.
3. 取下前蓋。
Remove the front cap.
4. 裝入電池。
Install the Battery.
5. 將電池蓋鎖緊。
Tighten the battery cap.



○ + RED
□ - BLACK

UNIVERSO SNIPER
AIRSOFT

