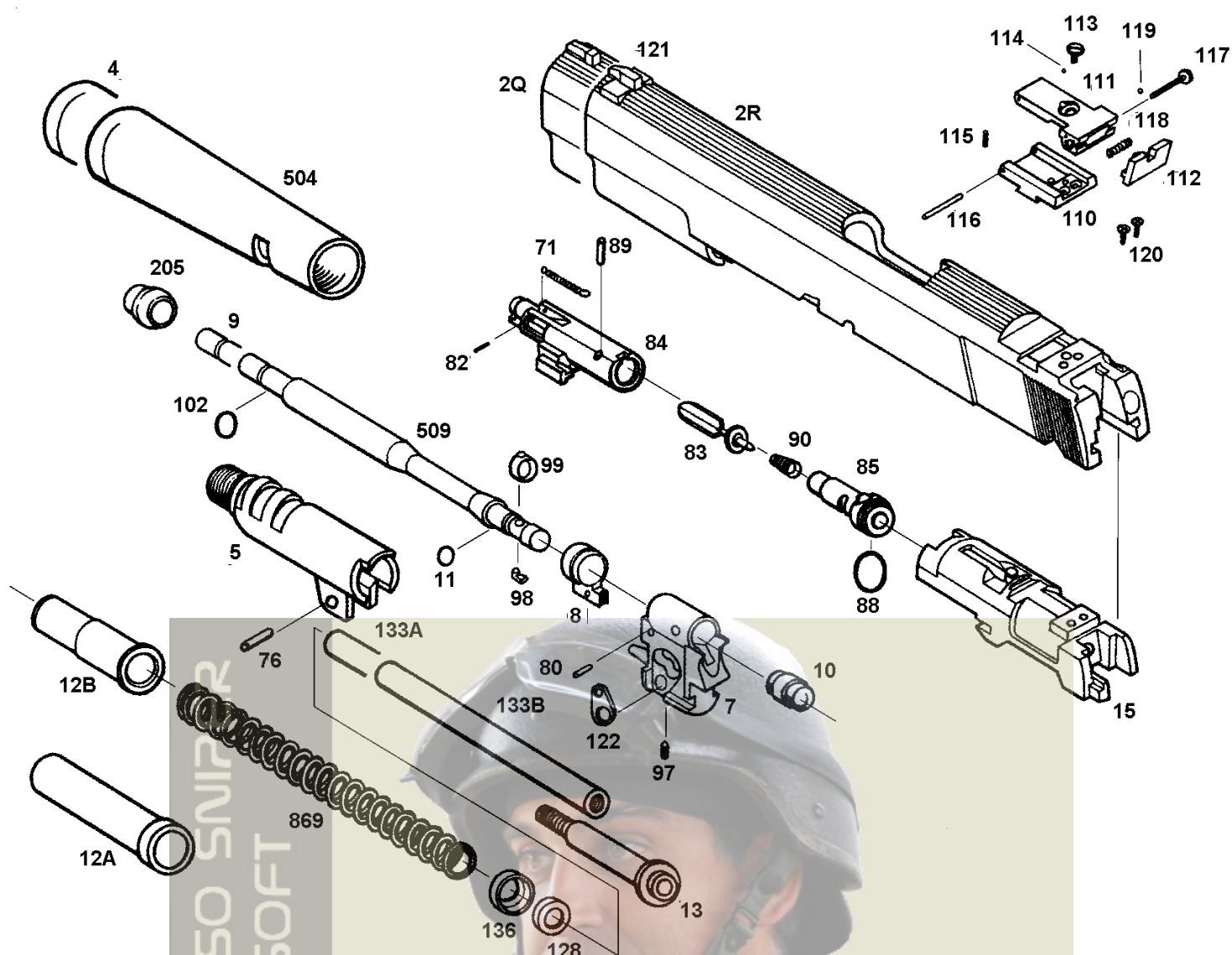
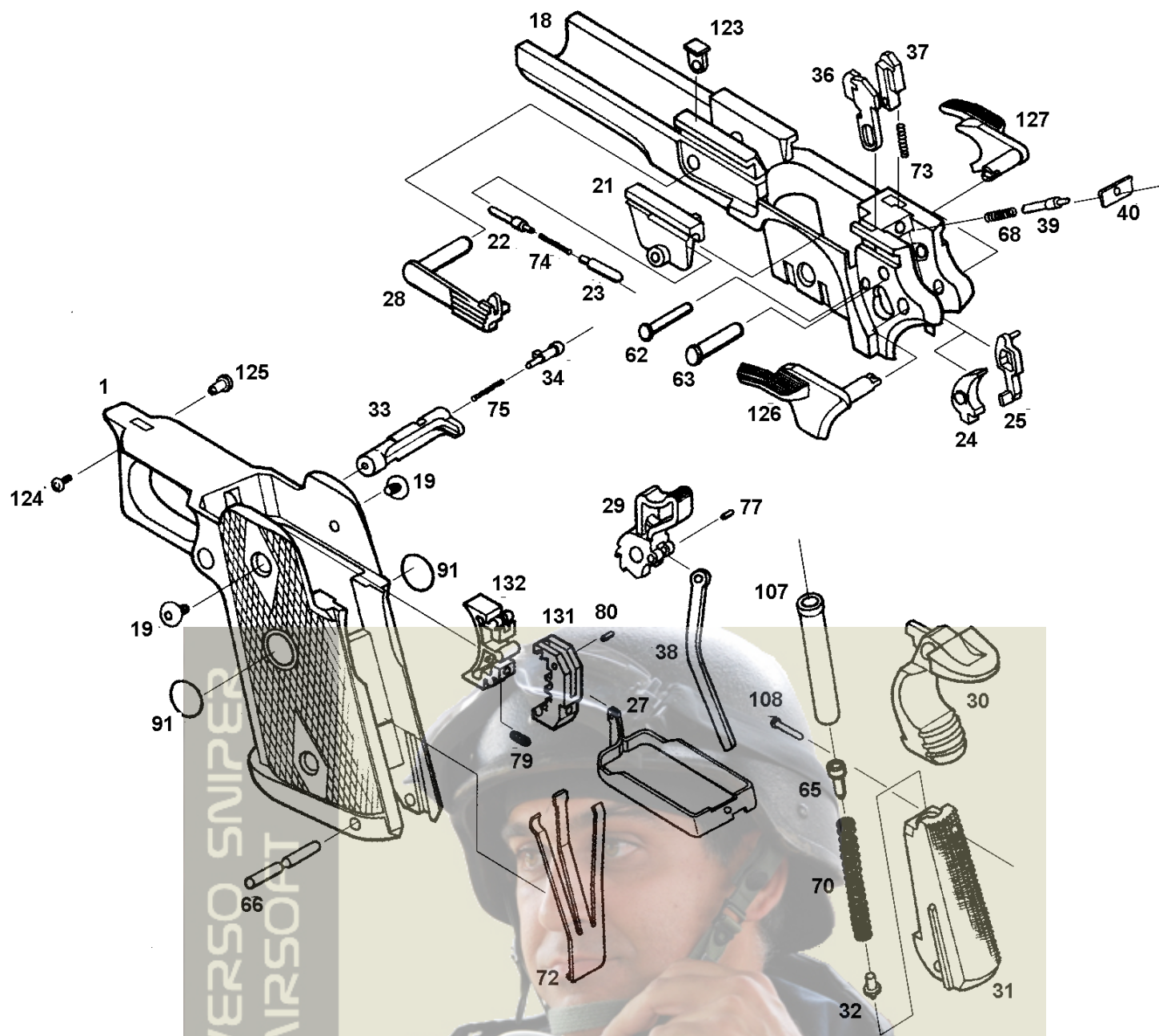


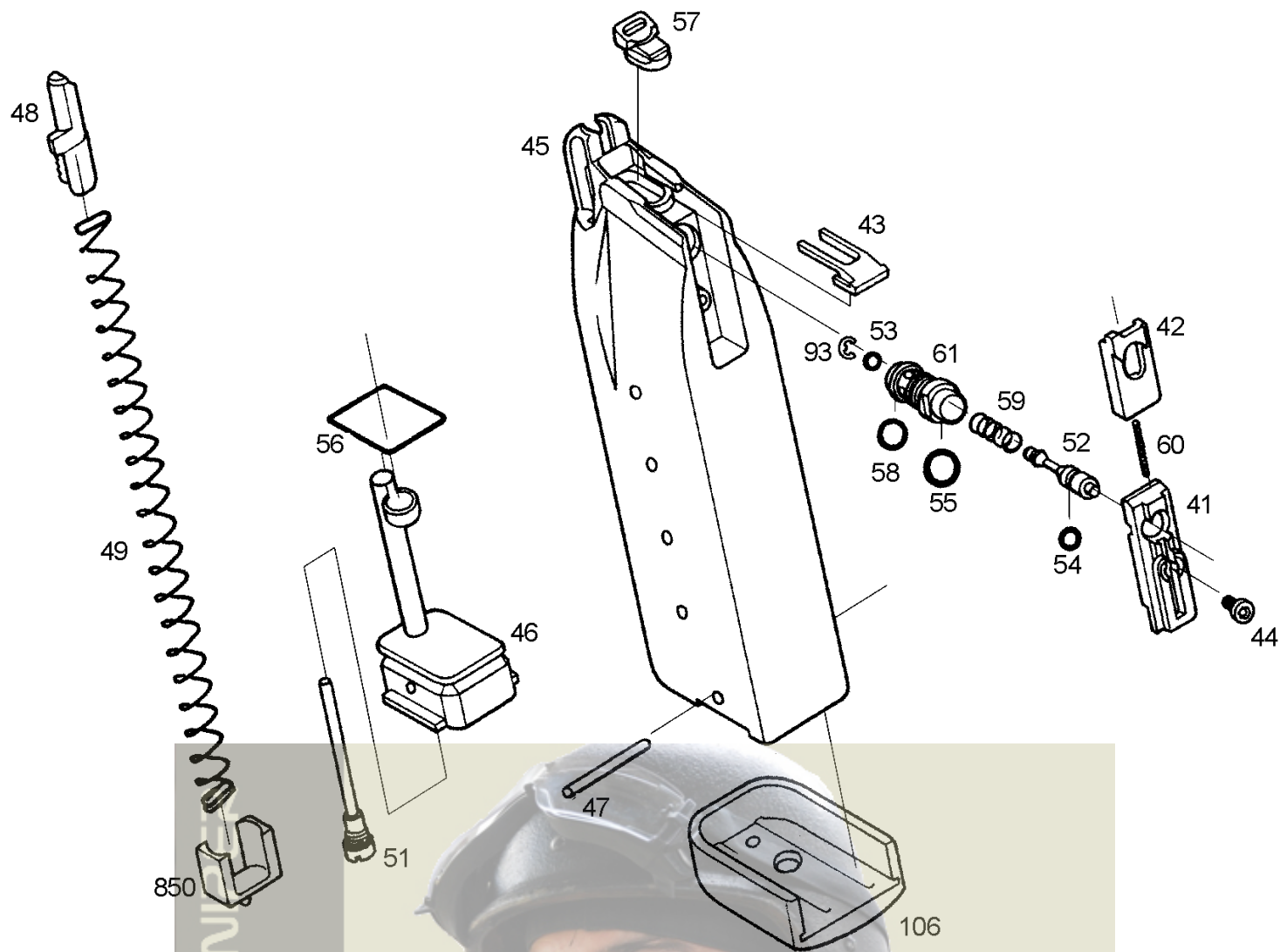
PARTS LIST FOR SV INFINYTY STANDARD



No	Parts No	Parts name	Price (¥)	No	Parts No	Parts name	Price (¥)
2Q	SVQ-002	6inch standard slide	4500	90	8090	Floating valve spring	300
2R	SVR-002	5inch standard slide	4500	97	STD-211	Adjust screw M3x4	100
4	SVA-004	Corn barrel 6inch	2200	98	5208	Hop plunger	200
504	SVB-004	Corn barrel 5inch	2000	99	9291	Hop up rubber	300
5	SVV-005	Chamber cover	800	102	STD-022	6x4x1 O-ring	100
7	SVA-007	New inner barrel guide	800	110	8510	Bo-mar base	800
8	SVA-008	New barrel lock	400	112	3111	Bo-mar elevator	800
9	SVA-009	Barrel 6inch	2500	113	3113	Elevation screw	300
509	3509	Custom GM plunger barrel	2200	114	STD-502	Crick ball 1.2	200
10	8210	Normal chamber	700	115	3115	Elevation spring	100
11	STD-024	O-ring 8x6x1	100x2	116	8516	Bo-mar base pin	100
12A	SVA-012	Plug 6inch	1100	117	3117	Vintage screw	300
12B	SVB-012	Plug 5inch	1100	118	3118	Vintage spring	100
13	SVG-013	Recoil spring guide	1200	119	STD-501	Crick ball 1	40
15	SVA-015	Strength breech	1200	120	STD-412	Base screw M2.5 x 8	40x2
869	3869	Hard recoil spring	600	121	3121	Front sight	500
71	SVA-071	Loading nozzle spring	200	122	3122	LTD barrel link	300
76	8476	Barrel link pin 2x10	100	128	SVC-128	CC buffer rubber	100
82	STD-103	Nozzle spring pin 1x6	40	133A	SVA-133	Recoil spring guide rod 6inch	1000
83	SVK-083	Floating valve	400	133B	SVB-133	Recoil spring guide rod 5inch	900
84	SVC-084	Loading nozzle	1300	205	3205	Barrel joint	500
85	SVC-085	Custom floating valve guide	700	136	SVC-136	CC buffer washer	300
88	STD-011	O-ring S-11.2	100	80	STD-122	Barrel lock pin	100
89	STD-144	Floating valve guide pin	100				

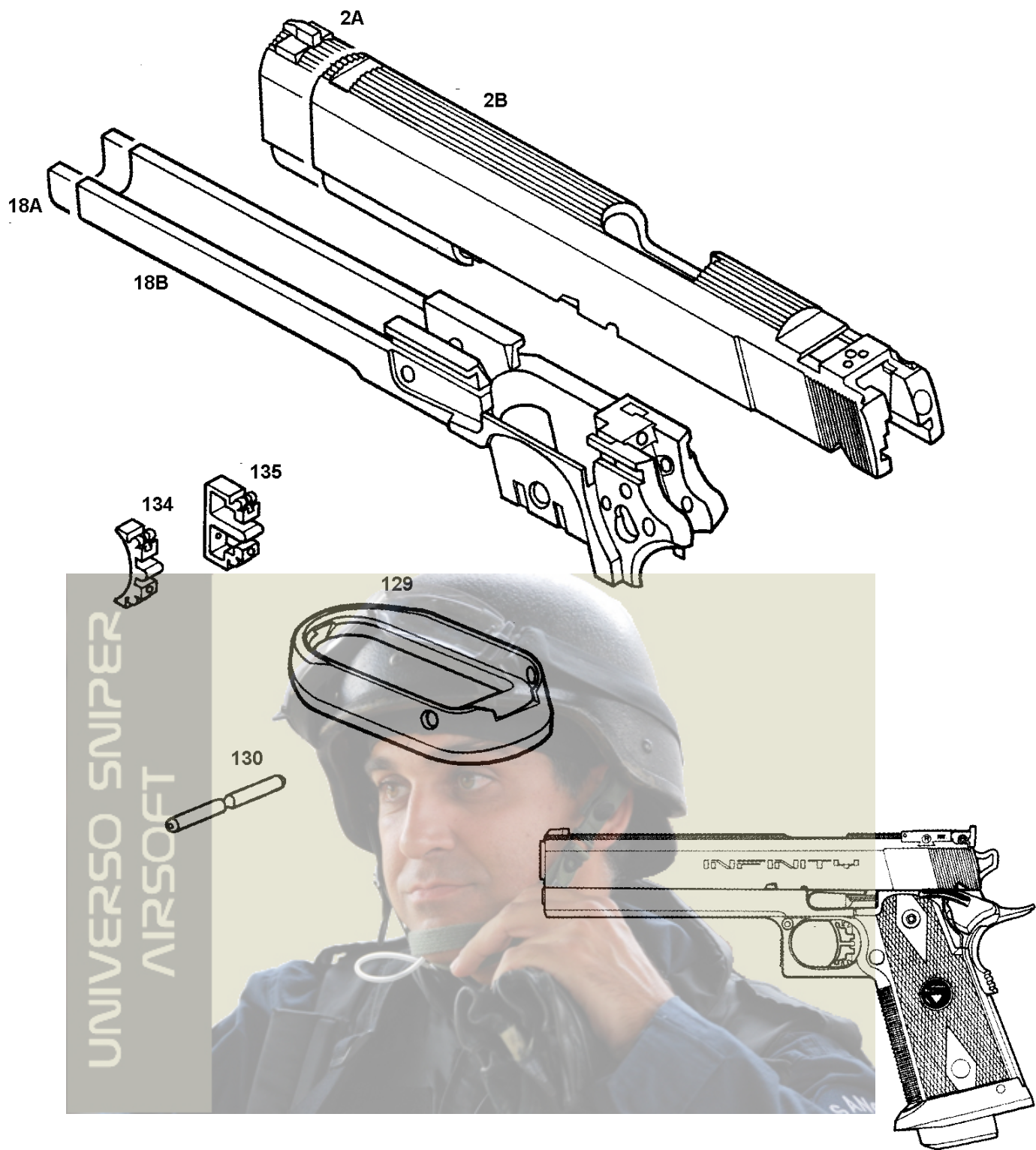


No	Parts No	Parts name	Price (¥)	No	Parts No	Parts name	Price (¥)
1	SVA-001	Grip frame	1800	63	8463	WL hammer pin B	140
18	SVM-018	Chassis	3500	65	3065	Cap	200
19	3019B	Grip screw LB	200x2	66	3066B	Main spring housing pin B	140
21	3021B	Plunger guide B	300	68	8068	Firing spring pin	20
22	3022	Slide stop plunger	200	70	3070	Main spring	300
23	8023	Safety plunger	200	72	SVU-072	Sear spring	600
24	3024	Sear	300	73	8073	Disconnecting guide spring	100
25	3025	Disconnecting bar	300	74	SVA-074	Plunger spring	100
27	SVA-027	Trigger bar	500	75	3075	Magazine catch spring	100
28	SVA-028	Slide stop	800	77	STD-145	Hammer strut pin 2x8	40
29	SVA-029	Square Hammer	1000	79	STD-212	Trigger stop screw M2.5 x 6	40
30	SVA-030	Grip safety	800	80	STD-122	Trigger pin 1.5x5	100
31	3031	Main spring housing	500	91	SVA-091	Medallion seal	N/A
32	3032	Retainer	200	107	3107	Cap sleeve	400
33	SVA-033	Magazine catch	600	108	3108	Cap sleeve pin	100
34	3034B	Magazine catch lock B	200	123	3123	Under rug	200
36	SVA-036	Valve lock release	200	124	3124B	Trigger guard screw B	200
37	3037B	Disconnecting guide	300	125	3125B	Trigger guard screw sleeve B	20
38	8038	Hammer strut	200	126	SVA-126	Safety left	1100
39	SVA-039	Firing pin	400	127	SVU-127	Safety right	900
40	8040	Firing pin stopper	200	131	SVU-131	IC trigger base	500
62	8462	WL sear pin B	200	132	SVU-132	IC trigger shoe	500



No	Parts No	Parts name	Price (¥)	No	Parts No	Parts name	Price (¥)
41	8641	Impact guide	500	59	8659	Impact spring	200
42	8642	Impact lock	500	60	SVA-060	Valve lock spring	100
43	8643	Gas route guide	300	61	SVA-061	Bore up valve sleeve	900
44	8044	Valve guide screw	100	93	STD-526	Impact E-ring 3	100
45	3045	Magazine case	2900	105	3105	Magazine plug	300
46	3046	Magazine base	500	109	3109	Plug packing	200
47	3047	Base pin	100	850	3850	Bumper retainer	100
48	3048	Magazine follower	300	106	SVA-106	Compact magazine bumper	500
49	3049	Magazine spring	400	-	SVA-901	Loader	400
51	8051	Charge valve	700	-	SVA-902	Loader rod head	100
52	SVA-052	Bore up valve	900	-	SVA-903	Loader rod	300
53	STD-003	S-4 valve O-ring	100	-	SVA-904	Loader pipe	300
54	STD-021	5x3x1 valve O-ring	100	-	SVU-147	1.5mm wrench	100
55	STD-026	10x8x1 sleeve O-ring	100	-	STD-585	2.5mm wrench	100
56	3056	Base packing	200	-	8691	Impact wrench	200
57	SVA-057	Gas route packing	200	-	STD-580	3mm wrench	100
58	STD-006	S-7 sleeve O-ring	100				

PARTS LIST FOR SV INFINITY LIMITED



No	Parts No	Parts name	Price (¥)	No	Parts No	Parts name	Price (¥)
2A	SVA-002	Slide 6inch	4500	129	SVA-129	Magazine well	800
2B	SVB-002	Slide 5inch	4500	130	SVA-130	Housing pin for mag-well	200
18A	SVA-018	Chassis 6inch	3800	134	SVA-134	Trigger shoe short	500
18B	SVB-018	Chassis 5inch	3500	135	SVA-135	Trigger shoe long	500