

R8

对象年龄18岁以上
Age: above 18

- USE 6MM BB BULLETS
- DO NOT SHOOT AT ANY HUMAN OR ANIMAL

Before using the gun, please read this instruction thoroughly, and retain it for future reference. We will not be responsible for any trouble caused by misuse or remodelling of the gun.

使用前請先完整閱讀本說明書，保存此說明書以供今后使用參考。切勿錯誤使用或改裝汽彈槍，否則后果自負。

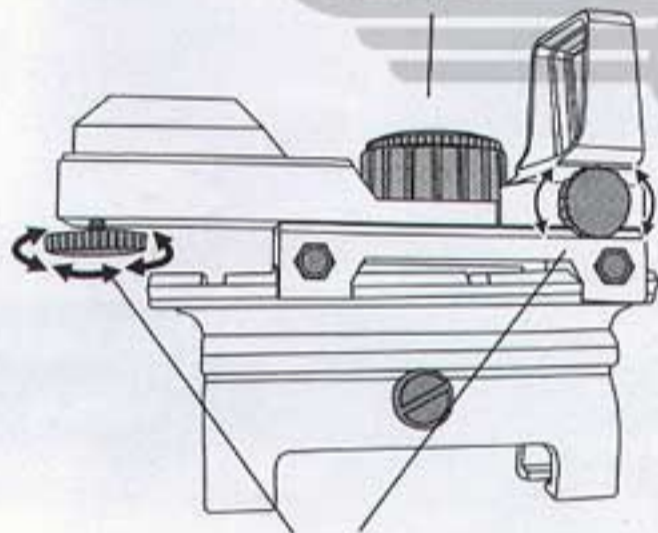
使用說明書 INSTRUCTION



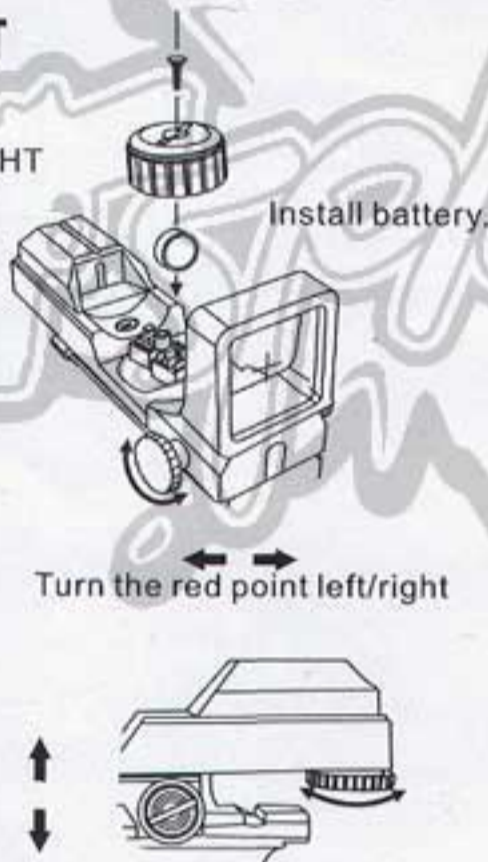
1 ELECTRONIC GUNSIGHT

THE SETTING INSTRUCTION OF THE ADJUSTABLE ELECTRONIC SIGHT

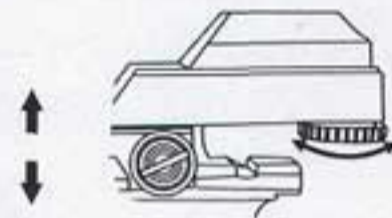
Battery Box



Adjustable Button



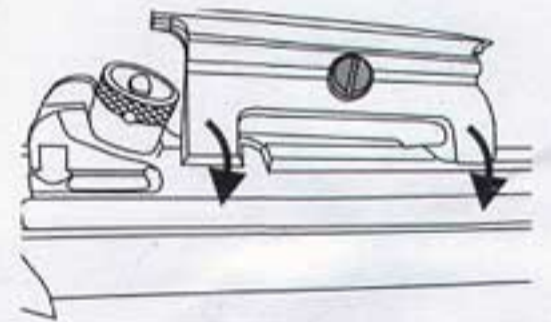
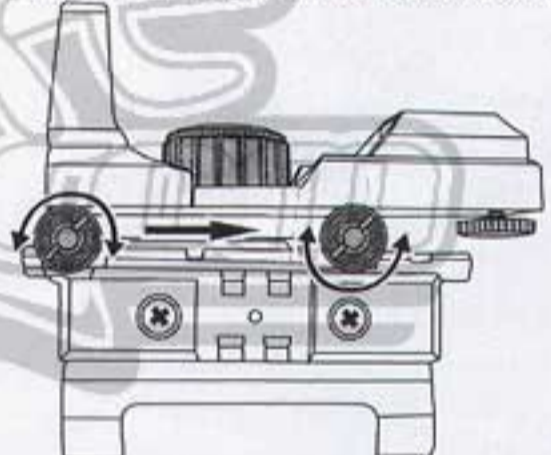
Turn the red point left/right



Turn the red point up/down

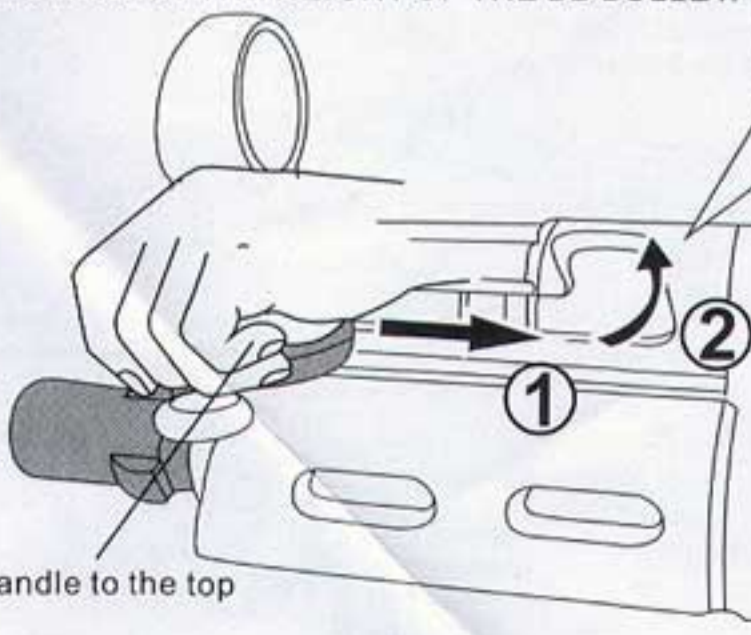
2 INSTALL GUNSIGHT

INSTALL ELECTRONIC GUNSIGHT.

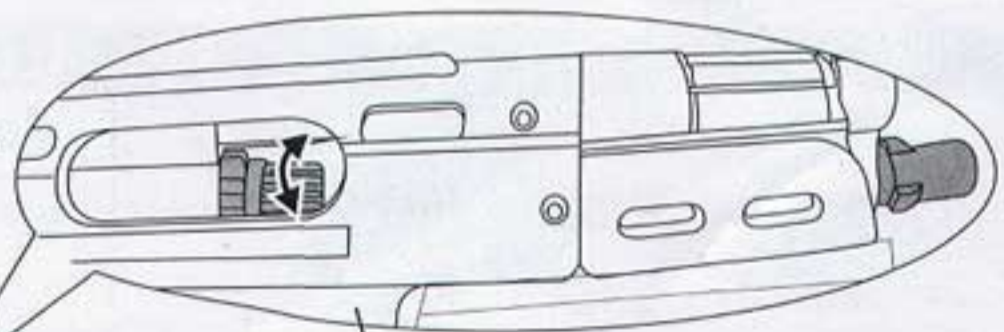


3 ADJUST THE BB BULLET

PULL THE HANDLE TO THE TOP, ADJUST THE KNOB TO ADJUST THE HEIGHT OF THE BB BULLET.



Pull the handle to the top



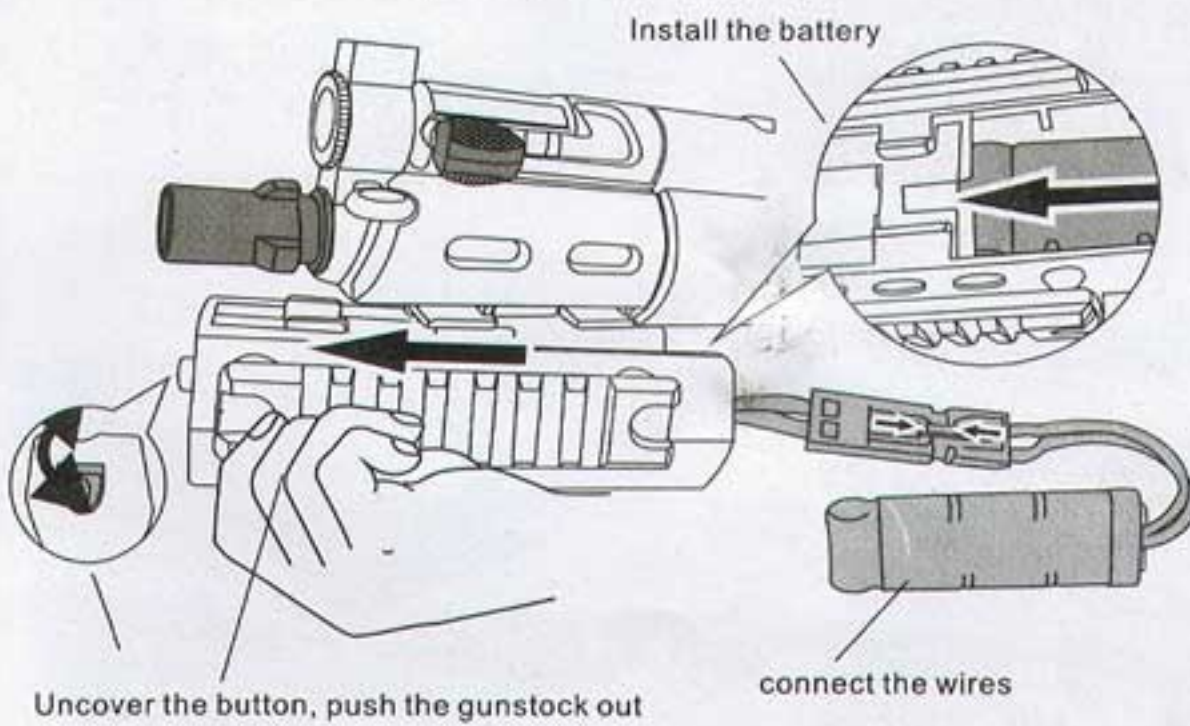
(HOP UP)

3

Adjust the knob to adjust the height of the bb bullet

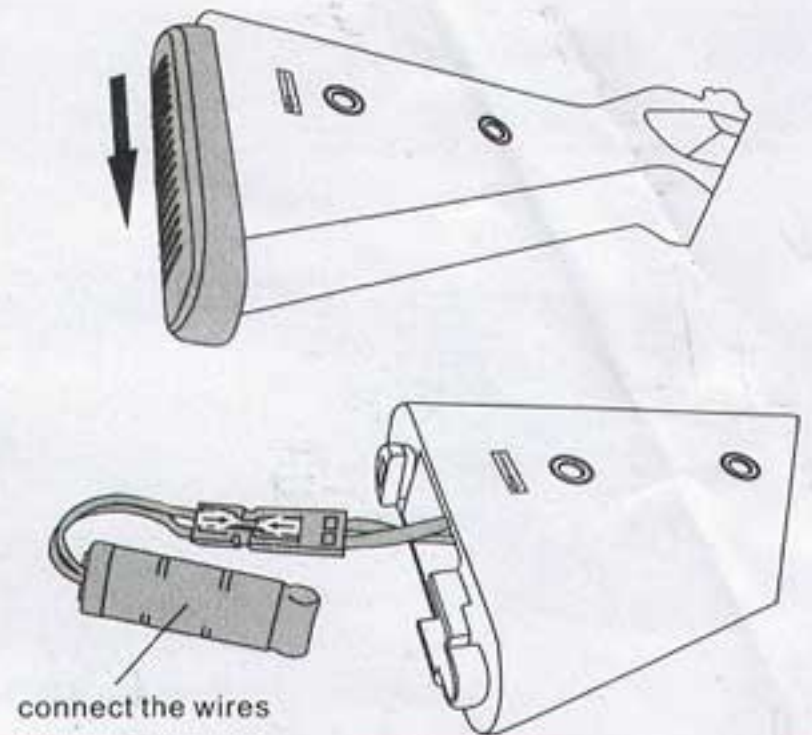
4 INSTILL BATTERIES

UNCOVER THE BUTTON, PUSH THE GUNSTOCK OUT;
INSTALL THE BATTERY, CONNECT THE WIRES.



5 INSTILL BATTERIES

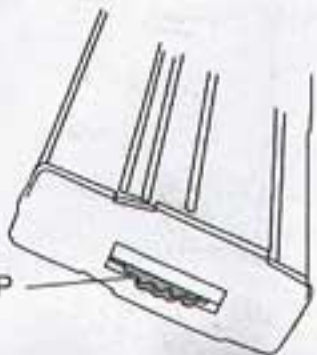
DAFF THE COVER DOWNWARDS
CONNECT THE POWER, INSTALL BATTERIES



6 INSTALL 6MM BB BULLET



Install the buets until They reach



The chain style semi-automatic cartridge magazine



● Closed state



● Alone shooting state



● Continuous shooting state

! 注意 Attention

- 切勿探视枪口。
- 除比赛时外，不要装入子弹。
- 切勿改装或分解本汽弹枪。
- 放置于小孩拿不到的地方。
- Never look at the muzzle
- Never load any bullet into the gun until in shooting practice.
- Never remodel the gun.
- Put the gun at safe place where children can not touch.



- 不要向能回弹子弹的固体物射击
- Do not shoot at solids which can turn back the bullet.



- 枪口切勿对准人或动物
- Do not shoot at any human or animal.



- 不使用时，不要拉阀门拉杆(以免弹簧变弱)。
- Never pull the cocking handle until you will use this gun. (Avoid the spring abating).

