



在操作之前必需读熟这些说明书
Always read through this manual before operation.



警告 WARNING



18岁以上年龄才能使用
Only for 18 years of age or older

18以上年龄才能利用这支汽枪比赛使用
Operation of this air gun for competition use is restricted to users of 18 years of age or older.



注意受损伤
Injury caution

因为BB弹能达到50-60米范围, 不小心的射击将可能导致眼睛受损伤或其它伤害。
Since plastic BB bullets reach 50 to 60 meters, careless shooting may cause eye damage or other injuries.

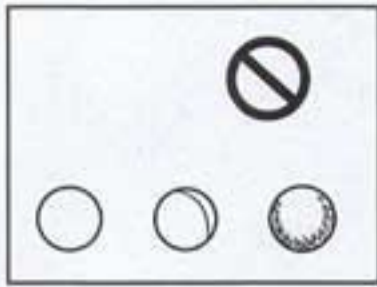


注意熟读警告指示手册
Careful reading of Handling cautions and Instruction manual

在操作之前要细心读熟警告手册和指示手册操作汽枪时必须认识好警告指示
Always read through this HANDLING CAUTION AND INSTRUCTION MANUAL carefully before operation. Operate the air gun with full recognition of warnings and cautions.



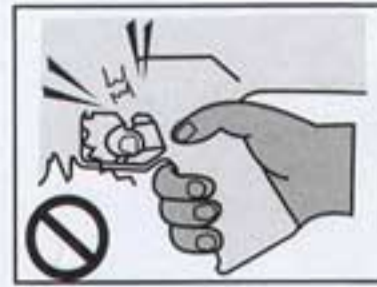
警告 注意 WARNING ATTENTION



Always use precision BB bullets for this air gun. Never use any used BB bullets.



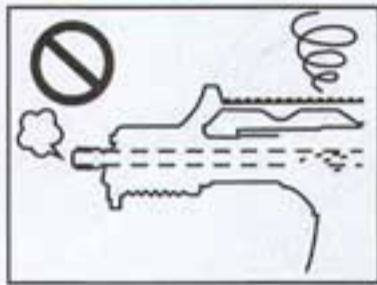
Never hold the gun sideways as the BB bullets will curve right or left. This is due to the HOP-UP system.



Pulling the trigger with the Safety lever being set to SAFE may damage the gun.



Don't disassemble beyond what is necessary. Or the gun may be damaged.



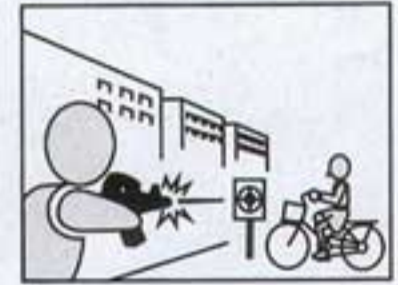
When bullets are clogged, immediately stop operation. Remove clogged bullets and then restart operation of the air gun.



Do not look directly into the gun barrel to avoid accidental discharge of BB.



Never aim or shoot a person or animal as the target. Always set the selector on SAFE position except when you are ready to shoot a target.



Select a safe place for operating the air gun, avoiding places where people and cars pass cross or third persons are around.

1. Component Names

(For details, see the following pages.)

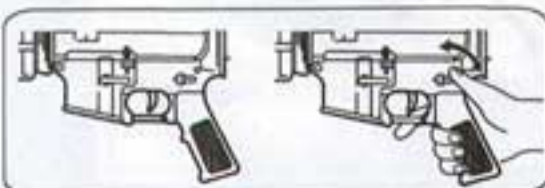


Always attach the protective cap during storage.

2. Selector and Safety Setting

(Always set the safety lever to SEAF until immediately before firing)

set the selector lever correctly in position; otherwise, malfunction may occur.



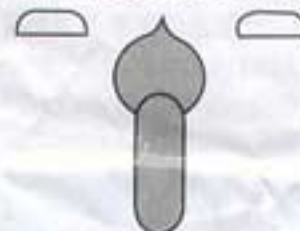
1. SAFETY Setting

The trigger cannot be pulled When you are not firing the gun or during storage. Always set the selector to the safe position and attach the protective cap.



2. SEMI AUTOMATIC (Single Shot)

The gun will fire one shot each time the trigger is pulled.



3. FULLY AUTOMATIC (Automatic Firing)

The gun will fire automatically while the trigger remains pulled.

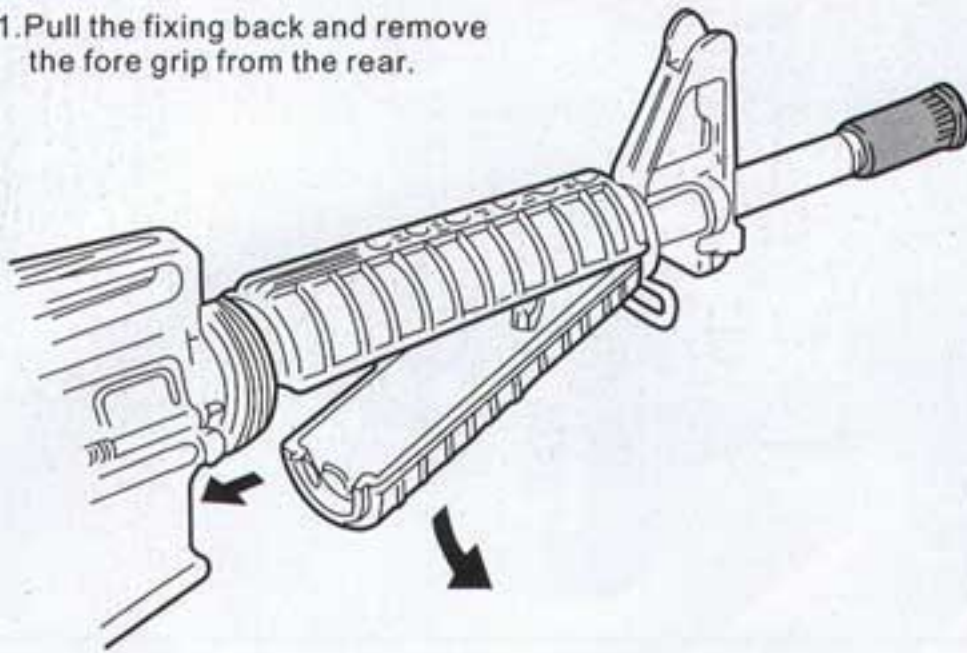


3. Setting the Battery

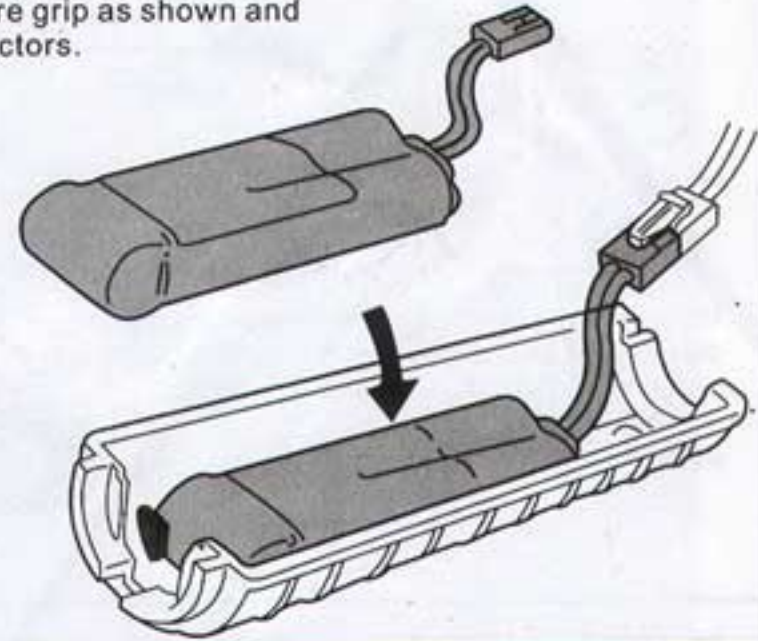
(Conduct operations hereafter after charging the battery.)

CAUTION The magazine is done under the condition that it is removed.

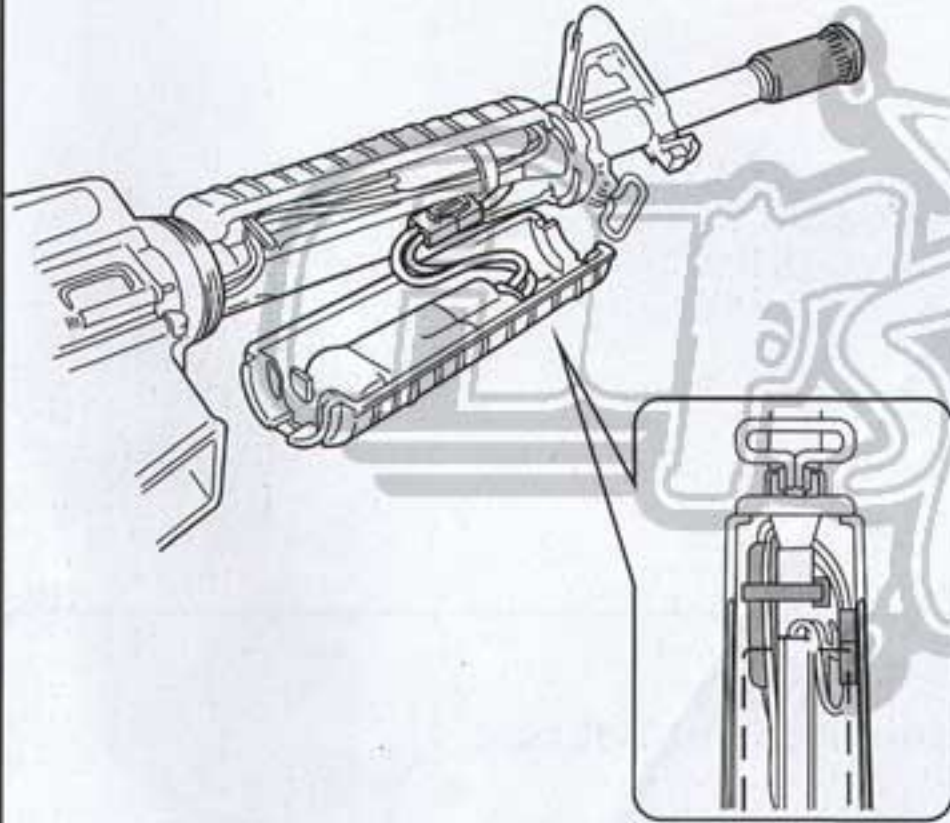
1. Pull the fixing back and remove the fore grip from the rear.



2. Insert the battery inside the battery guide in the fore grip as shown and connect connectors.



3. Store the connector in the space above the grip.



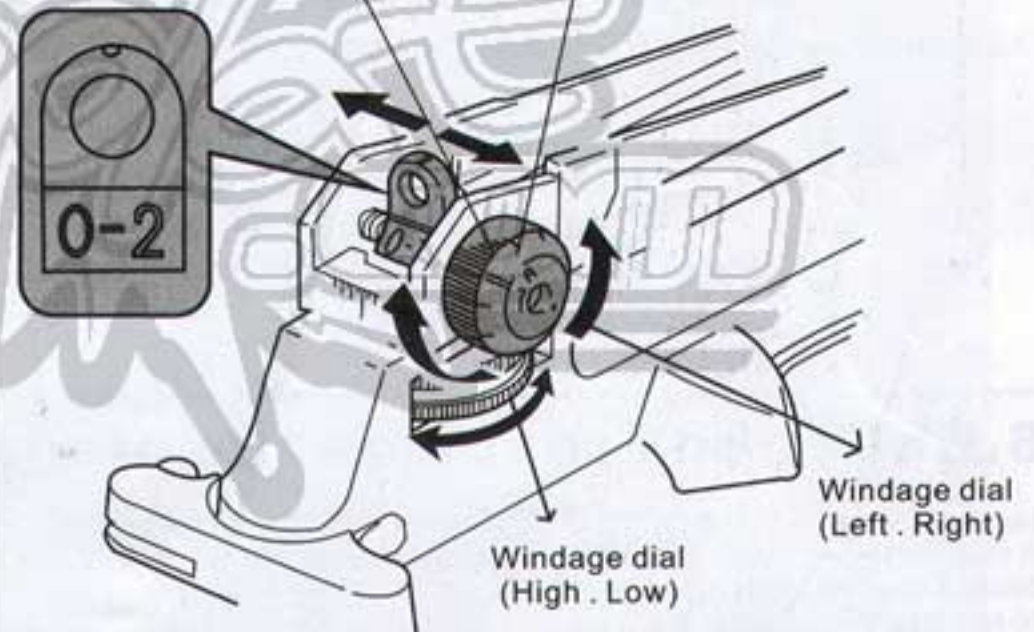
4. Setting the open Sight

Rear Sight 1 For left-right adjustment.

Turning the windage adjustment dial will move the bullet hitting point to the left or right.

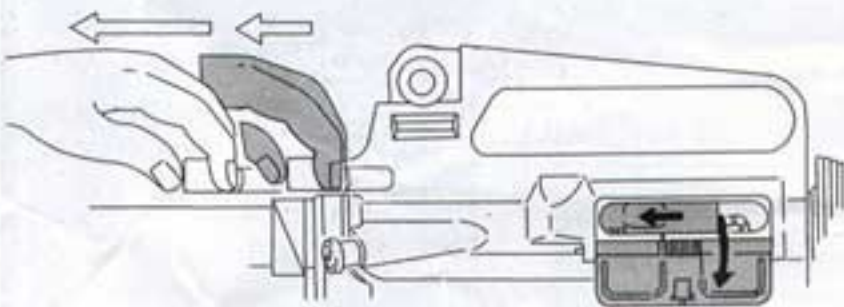
Turning counterclockwise:
lowers the bullet hitting point.

Turning clockwise:
Raises the bullet hitting point.

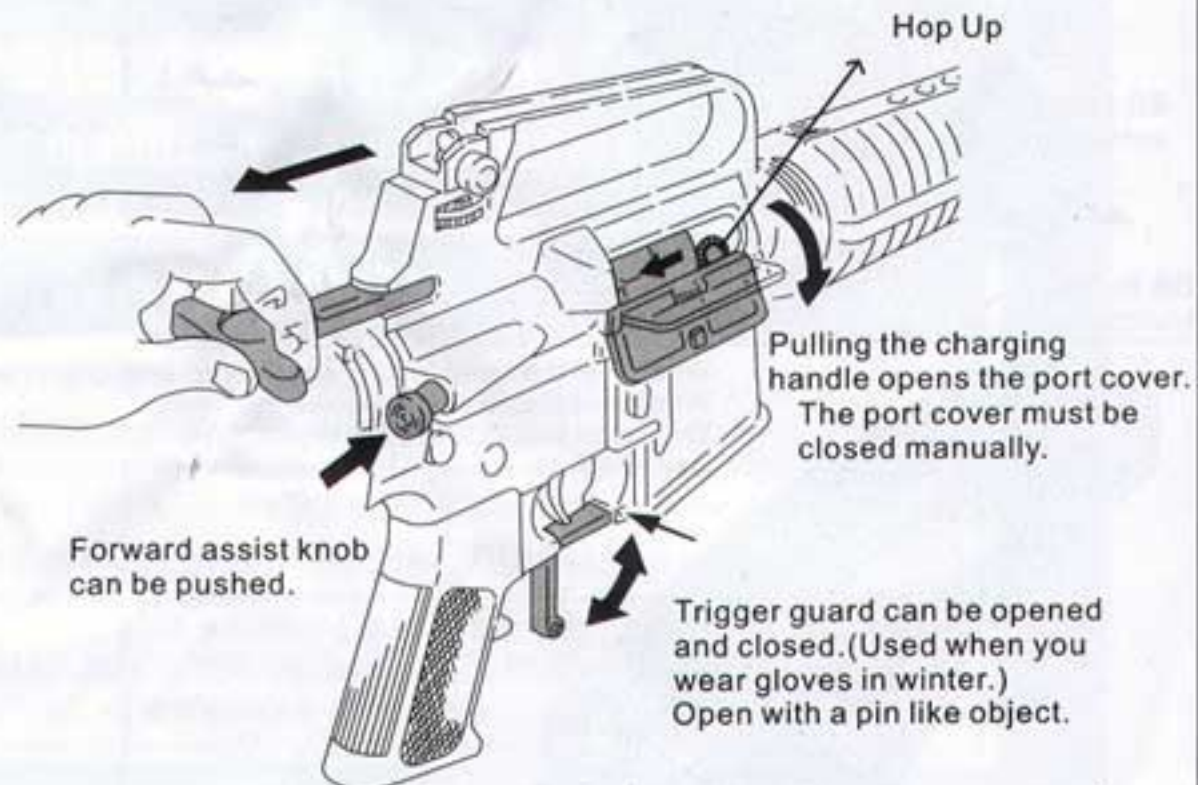


5. Movable Parts

Pulling the charging handle will expose the hop up adjustment dial in the port cover.

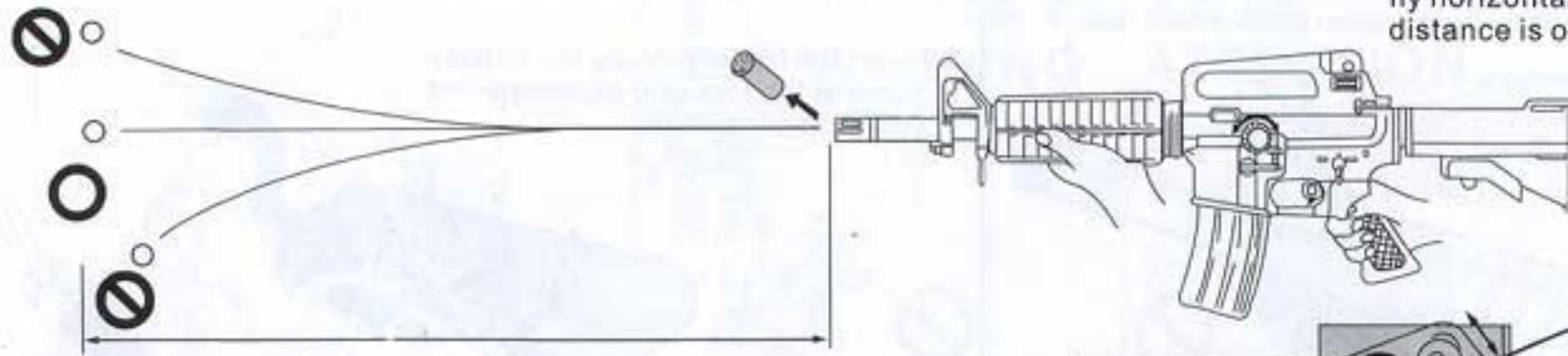


Forward assist knob can be pushed.



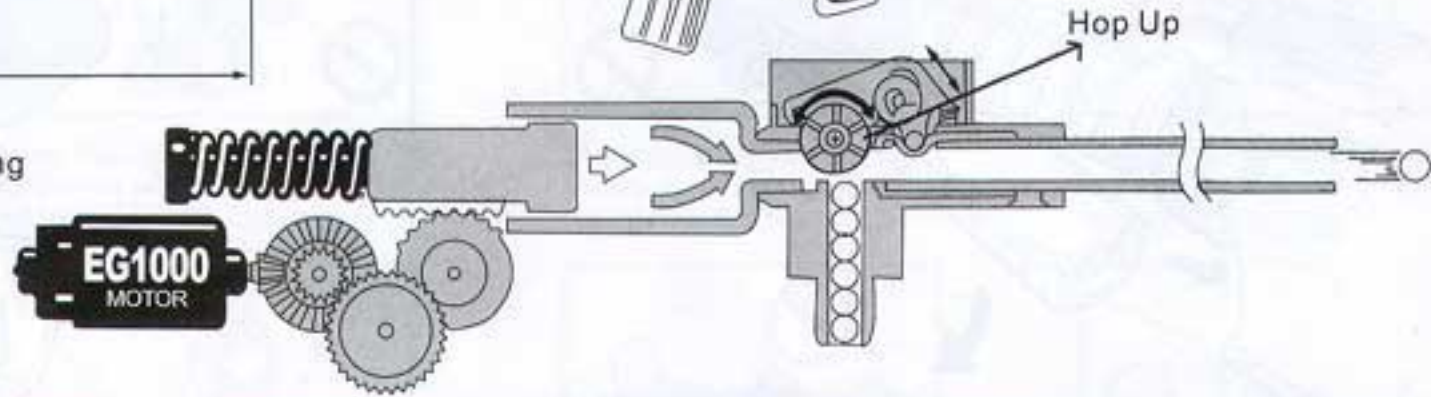
Trigger guard can be opened and closed. (Used when you wear gloves in winter.) Open with a pin like object.

6. setting the bullet direction



The best position is where the bullets fly horizontally, and the longest flying distance is obtained.

Make sure to return the hop adjustment dial to the normal position when removing clogged bullets or cleaning. (Otherwise, the chamber packing is damaged.)



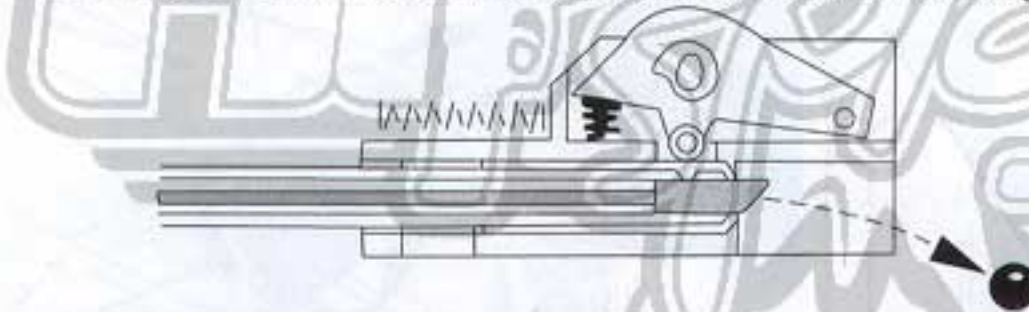
7. Removing Clogged Bullets

(Set the Safety button to ON and remove the magazine beforehand.)

1. Remove the magazine and then the barrel assembly.
2. Return the hop up dial to the Normal position and insert the cleaning rod from the lead edge of the barrel.

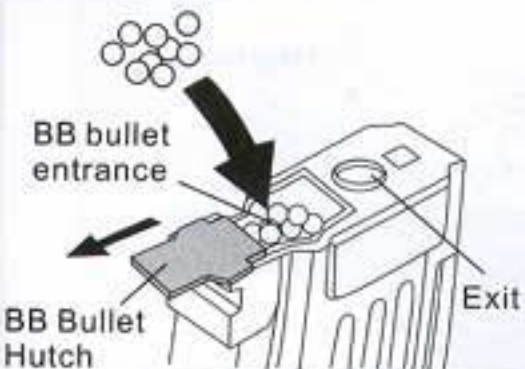


3. Be careful so that the angled part of the cleaning rod faces down, and remove clogged bullet.

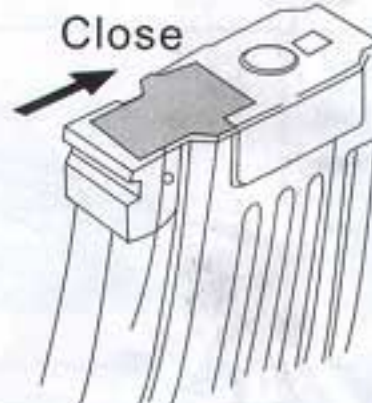


8. Bullet box resolves the diagram

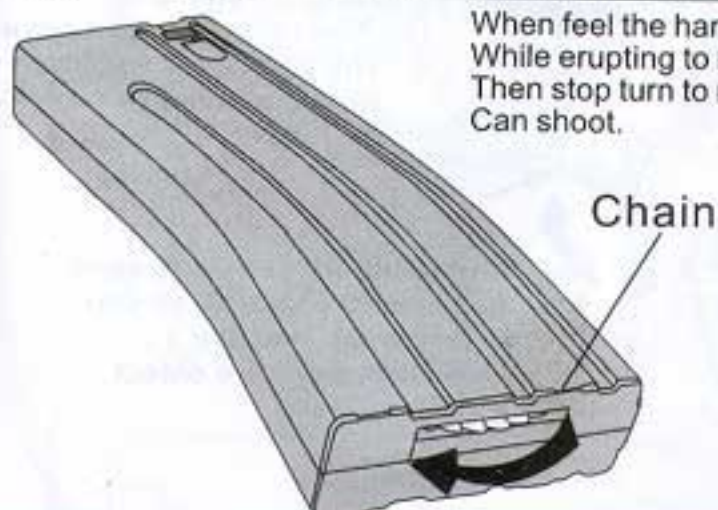
Open the BB bullet hatch on top of the magazine and insert BB bullets. About 250 bullets can enter. (Do not insert furiously.)



Close the BB bullet hatch for a click sound



When feel the hand feeling aggravate, While erupting to make a noise the sound, Then stop turn to move the wheel gear, Can shoot.



Unload the bullet box

Make sure to set the magazine upwards and connect it firmly until a click sound is heard

