

WELL AIR PISTOL SERIES

使用說明書 INSTRUCTION

● 體育競技汽槍 勿對準人或動物

16-系列

Use 6mm bullets

對象年齡18歲以上
USERS RESTRICTED TO
18 YEAR OF AGE OR OLDER

● DO NOT SHOOT AT ANY HUMAN OR ANIMAL

★A1★



★A2★



★A3★



特種配備：照明電筒、紅外線
瞄准器、槍柄

SPECIAL TYPE EQUIP: Flashlight,
Infrared launcher, Handle

★A4★

特種配備：照明電筒、紅外線瞄准器、
可調長度槍托

SPECIAL TYPE EQUIP: Flashlight,
Infrared launcher, Adjust gunstock



特別制作：為使產品提高質量和準確度，
內加鐵管、鋁合金管

ESPECIALLY CREATION: For making product increase the quantity to add the iron
piping, aluminum metal alloy the tube with accurate degree, inside



WARNING:



● Do not shoot at any human or animal.



● Read the instruction and note before using.

● CHOKING HAZARD-Small parts. not for children under 15 years.

裝拆圖解 Illustration

1 裝配 ASSEMBLED

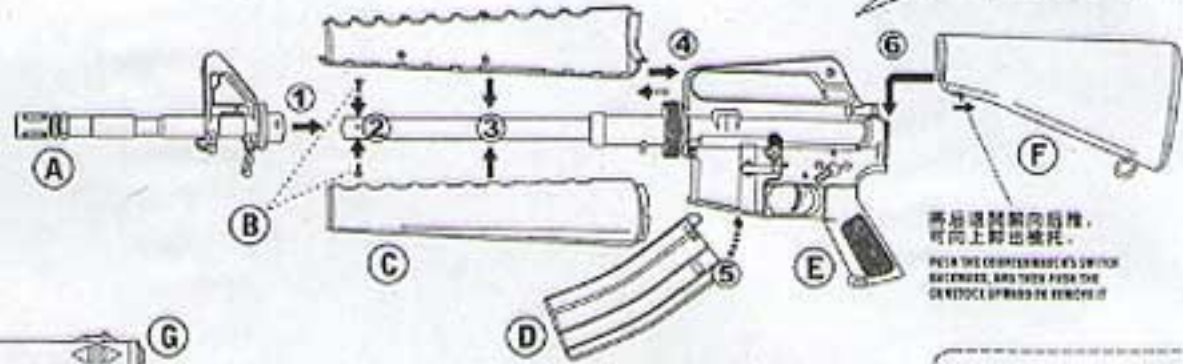
A1

將A, B, C, D, E, F各部分裝在一起，
就可以化成一把輕型衝鋒槍。
FIT ON THE A, B, C, D, E, F SHARE, WITH
CONSTITUTES HANDFUL LIGHT SUBMACHINE-GUN.



- (A) 槍頭 GUN CAPUT
- (B) 螺絲釘 SCREW
- (C) 槍筒 GUN COLLET
- (D) 彈盒 MAGAZINE
- (E) 槍身 GUN BODY
- (F) 槍托 GUNSTOCK

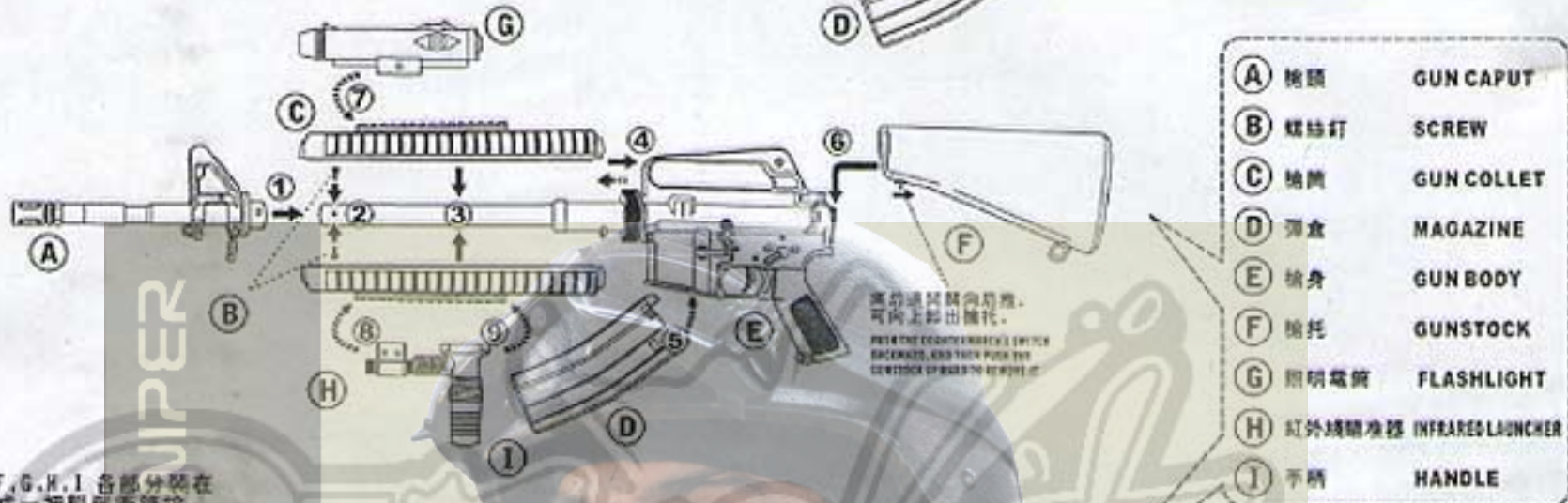
A2



將彈盒裝入槍身，
可向上取出槍托。
PUT IN THE CARTRIDGE'S SWITCH
MAGAZINE, AND THEN PUSH THE
GUNSTOCK UPWARD TO REMOVE IT.

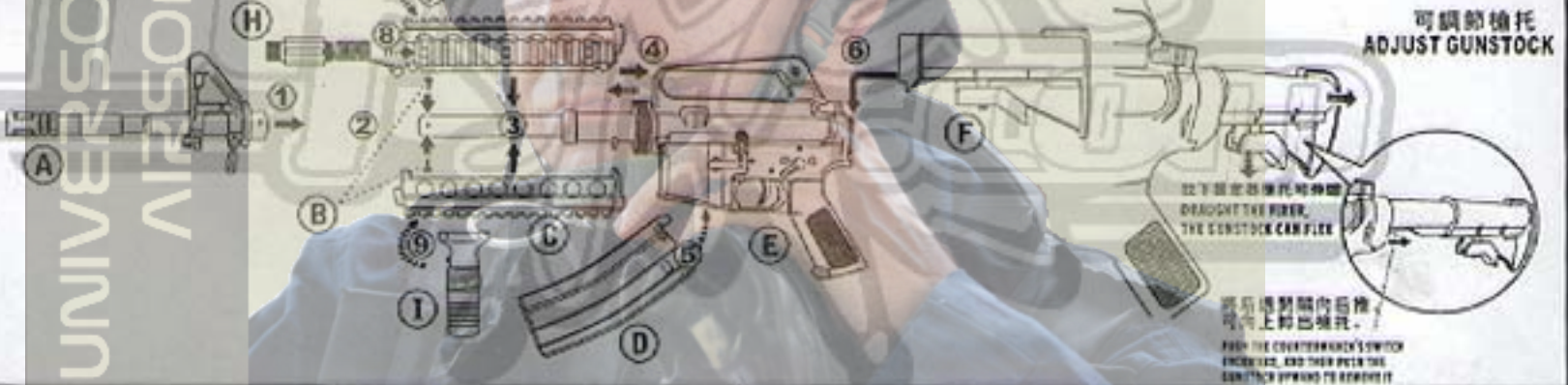
A3

將A, B, C, D, E, F, G, H, I各部分裝在
一起，就可以化成一把輕型衝鋒槍。
FIT ON THE A, B, C, D, E, F, G, H, I SHARE, WITH
CONSTITUTES HANDFUL LIGHT SUBMACHINE-GUN.



- (A) 槍頭 GUN CAPUT
- (B) 螺絲釘 SCREW
- (C) 槍筒 GUN COLLET
- (D) 彈盒 MAGAZINE
- (E) 槍身 GUN BODY
- (F) 槍托 GUNSTOCK
- (G) 照明電筒 FLASHLIGHT
- (H) 紅外線瞄準器 INFRARED LAUNCHER
- (I) 手柄 HANDLE

A4



可調節槍托
ADJUST GUNSTOCK

拉下彈盒後，
可向上取出槍托。
PUSH THE COUNTERWEIGHT'S SWITCH
BACKWARD, AND THEN PUSH THE
GUNSTOCK UPWARD TO REMOVE IT.

2 裝彈 LOAD BULLET



將彈盒裝入槍身，
可向上取出槍托。
PUT IN THE CARTRIDGE'S SWITCH
MAGAZINE, AND THEN PUSH THE
GUNSTOCK UPWARD TO REMOVE IT.

拉下彈盒後，
可向上取出槍托。
PUSH THE COUNTERWEIGHT'S SWITCH
BACKWARD, AND THEN PUSH THE
GUNSTOCK UPWARD TO REMOVE IT.

配帶防護眼鏡 PROTECTIVE GLASSES



3 射擊方法 HOW TO SHOOT



把機門和彈筒拉至上方，再拉下
PULL THE COCKING HANDLE BACKWARD
NATURALLY THE COCKING HANDLE
THEY RETURN TO THE POSITION.

拉動扳機時，
彈丸會自動射出。
WHEN THE TRIGGER IS PRESSED,
THE BB BULLET WILL BE DISCHARGED.

扳機和彈筒拉至上方，
彈丸會自動射出。
THE TRIGGER IS ENABLED TO BE PULSED IF
THE SAFETY DEVICE IS TURNED TO A
POSITION.

注意 Attention

- 切勿探視槍口。
- 除比賽時外，不要裝入子彈。
- 切勿改裝或分解本槍。
- 放置于小孩拿不到的地方。



Never look at the muzzle.
Never load any bullet into the
gun until in shooting practice.
Never remodel the gun.
Put the gun at safe place where children can not touch.

- 槍口切勿對准人或動物。

Do not shoot at any
human or animal.



- 不要向能回彈子彈的固體物射擊

Do not shoot at solids which can turn
back the bullet.



- 須確認射擊方向沒有人或動物，手指不要接觸扳機直至射擊瞬間。

Make sure that no any human or animal
stays near the target.
Never touch the trigger until you will shoot.



- 不使用時，不要拉滑機(以免彈簧變弱)。

Never pull the sliding block until you will use this gun.
(Avoid the spring abating.)

