

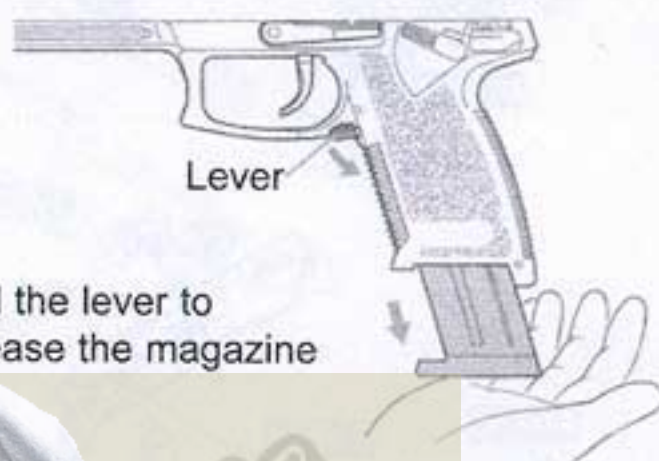
Special Operation

STEALTH ASSASSIN

Release Magazine



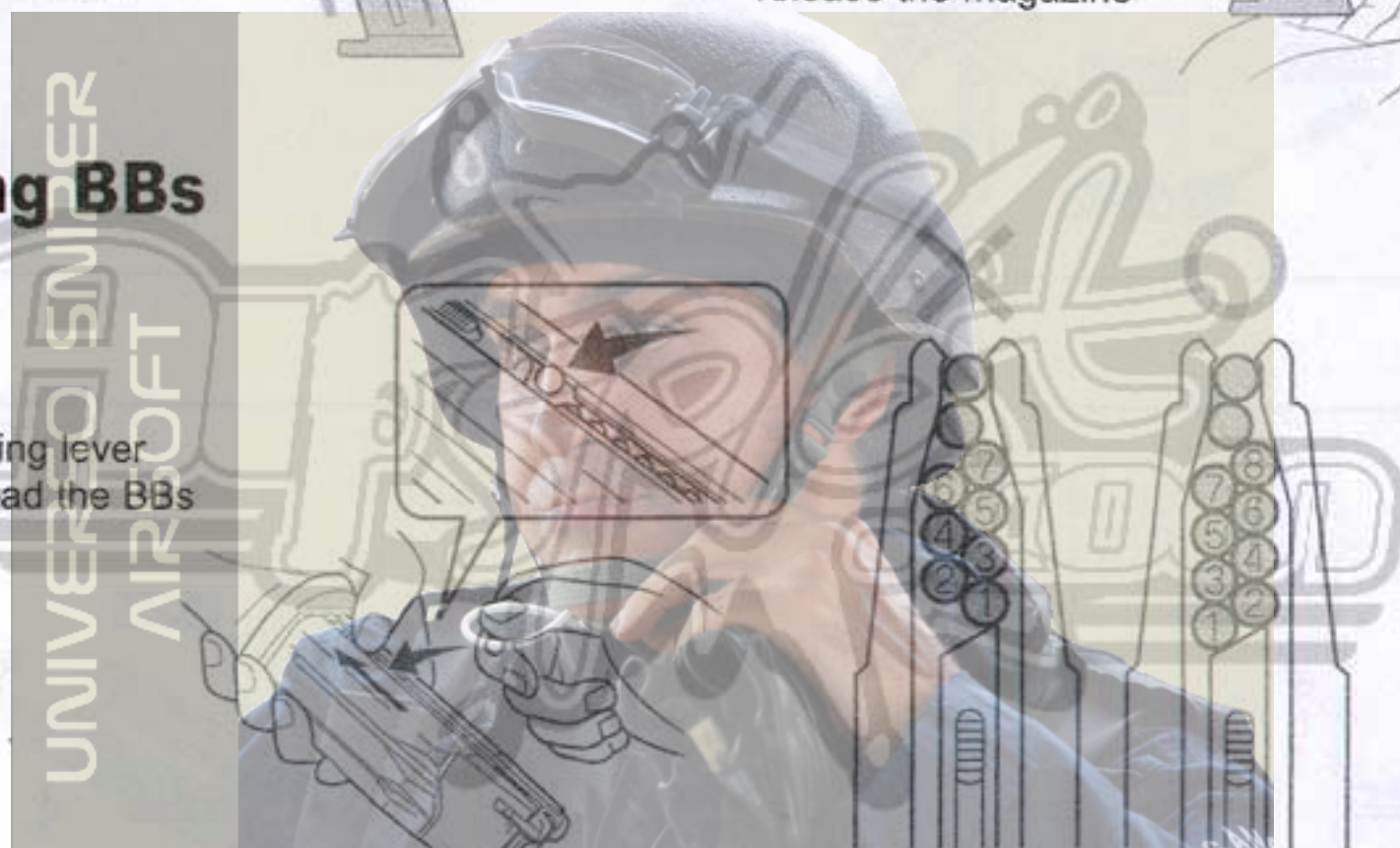
Push the magazine up until you hear a "click"



Pull the lever to release the magazine

Loading BBs

Pull the spring lever back and load the BBs



Make sure that the BBs stack up correctly

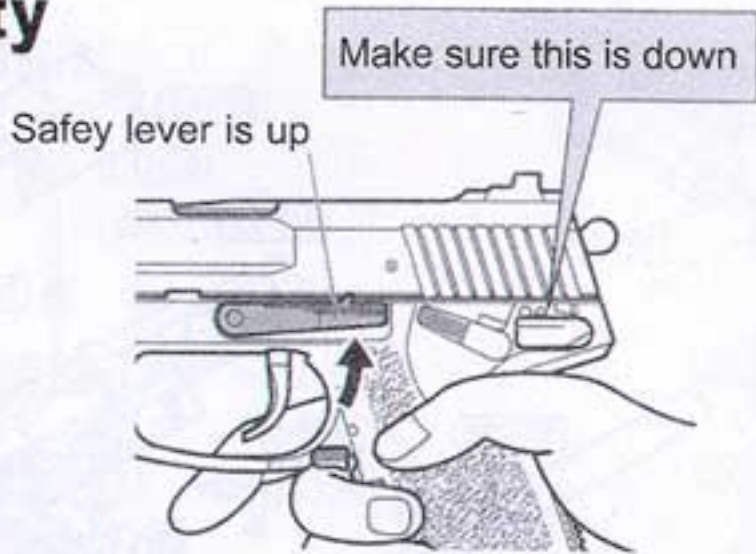
Loading Gas

HFC134A Gas Recommended

Make sure to align the gas nozzle up correctly to prevent leaks



Safety



When hammer is not pulled back, single safety is available at the front lever



When hammer is pulled back, double safety is available at both front and back lever

Shooting

To shoot, make sure that the safety is off and then pull the trigger



WARNING!



Always wear goggles



Never disassemble or modify the gun



Read every section of the manual



Never shoot the gun towards a person or animal



Select a safe place to shoot a gun



Even if a magazine is disconnected, a bb may still be inside the gun



Never look into the muzzle

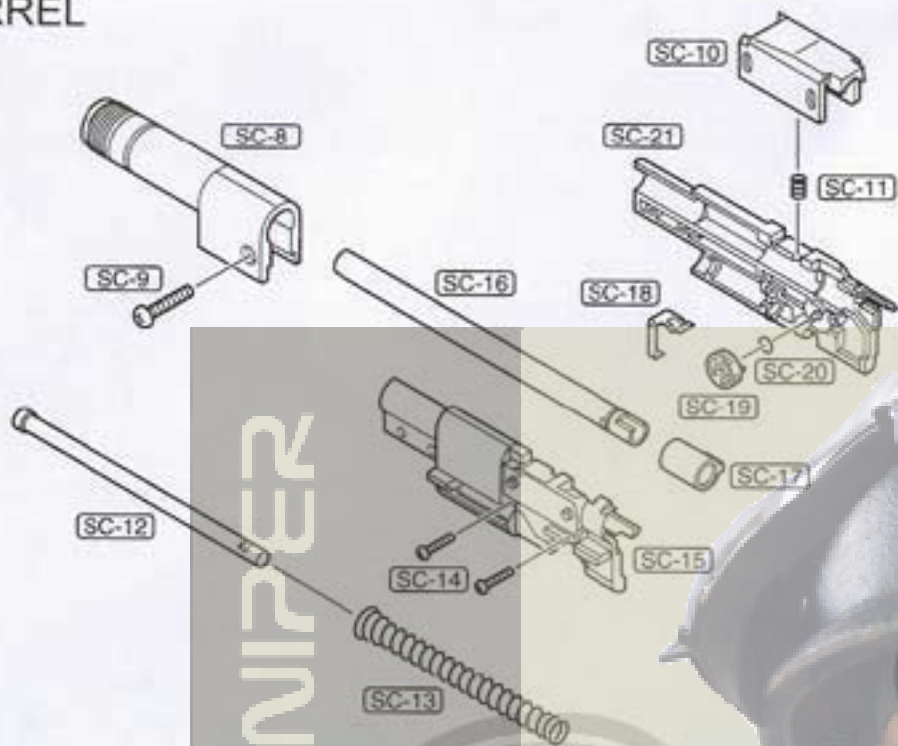


Never put your finger on the trigger unless you're ready to shoot

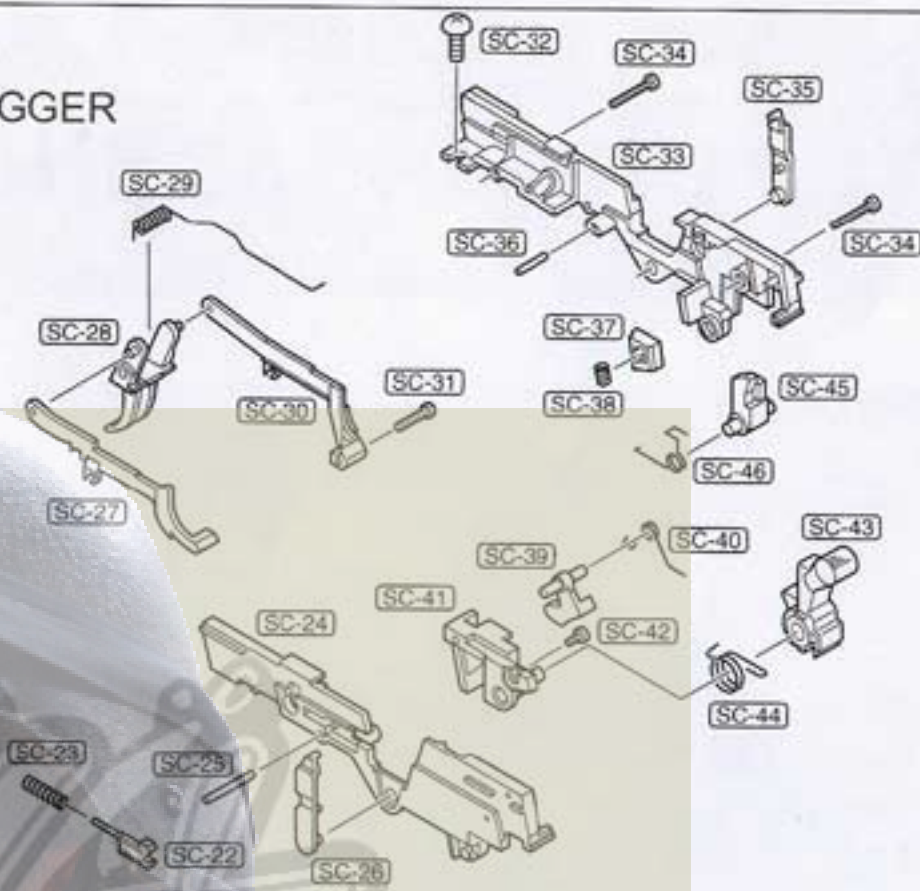


Keep away from children

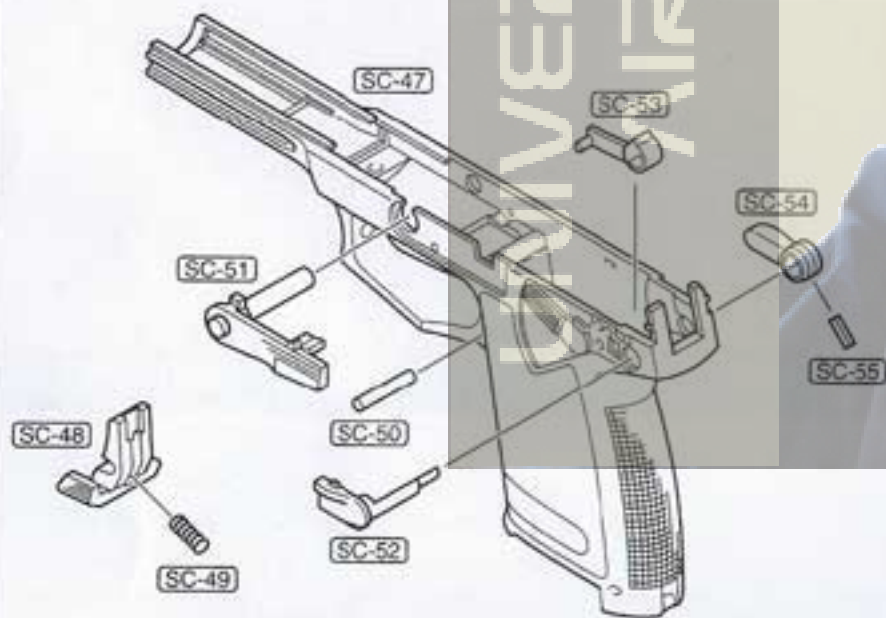
BARREL



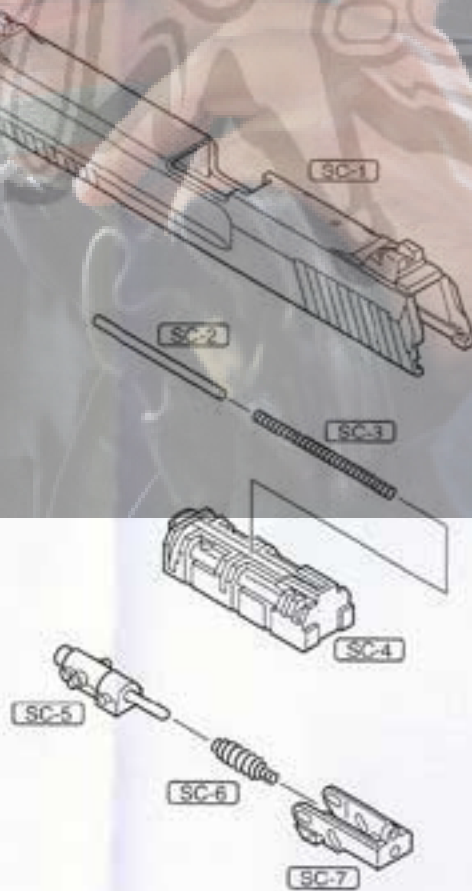
TRIGGER



FRAME



SLIDE



MAGAZINE

