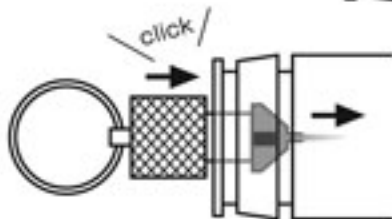
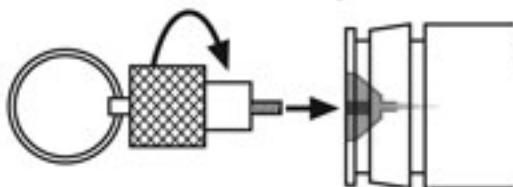


How to play with our launcher shell?

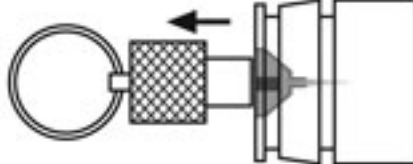
GAS PRIMER

1. Install the "Valve re-lock key" to the GAS PRIMER" by clockwise.



2. Push the primer forward till you can hear the "click" sound.

3. Pull the primer backward to the pre-set position. Then leave the key slightly.



IMPORTANT!
Please read below steps carefully before load pellets in the shell. Careless operations may cause body injurious.

Insert BB pellets here

GAS CHARGE-IN VALVE

4. Charge gas to the shell (around 4 second) before load the BB pellets.

WARNING

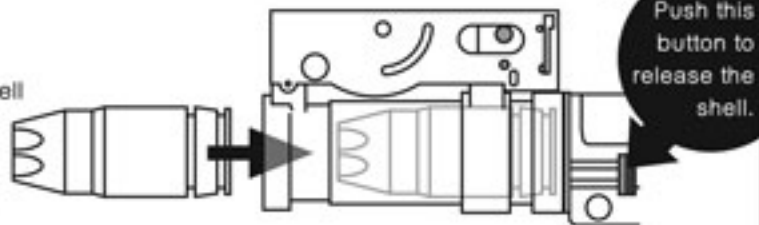
Make sure to keep **CLEAR** on top of the shell when pellets are loading. To be avoid any dangerous if the primer was fired with any non-sense operations.

3rds of BB pellet per hole, total carries 18 rds BB of pellet

Dangerous Zone
Keep Clear
on top!



Push this button to release the shell.



5. Simply drop the shell inside to the launcher barrel and it will be locked automatically.



GP25 6mm BB Launcher

Operation Manual

LIGHT weight

RELIABLE design

NEW shape of gas grenade

QUICK load & release system

Valve Re-lock key included

It's time to make your Airsoft AK47 be more playable!



Airsoft GP25 gas grenade launcher



Adapter A
Replacement sling mount



Adapter B
Airsoft launcher adapter



Airsoft GP25 BB shot shell



Valve re-lock key

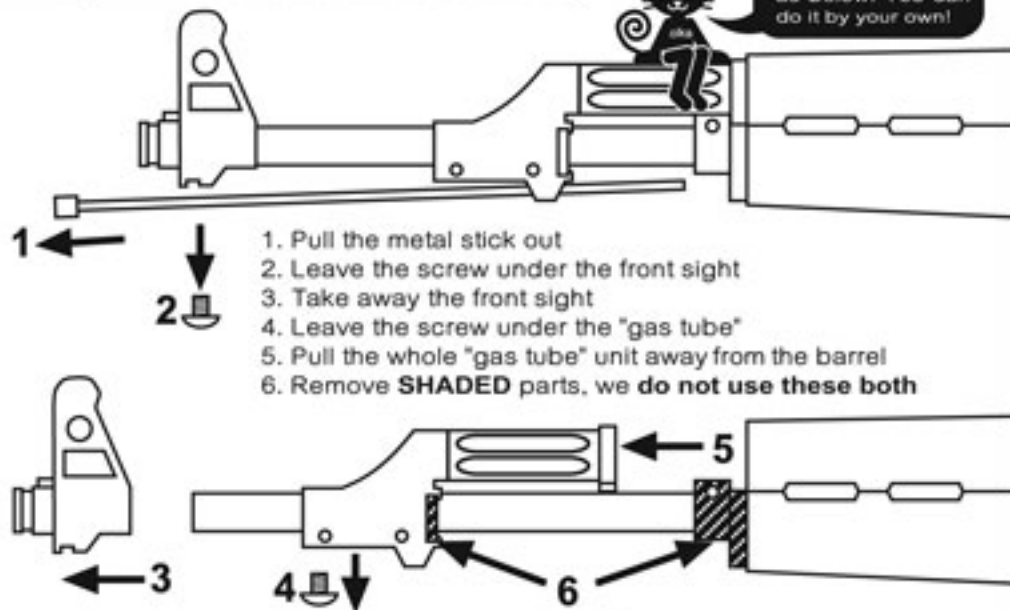
Please fully read this manual **SERIOUSLY** before play.

Detached your airsoft AK47's front to install the G&P GP25 BB Launcher

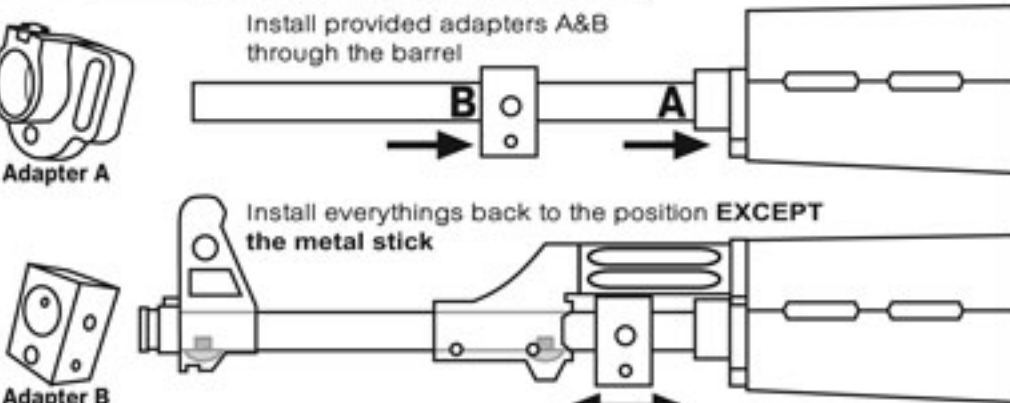
G&P GP25 BB Launcher is a totally new design product which is especially fit for your game playing. Light weight, fast shell loaded and released system, those to make the launcher be **one of the BEST** partner for your firing support. Let's enjoy with **BB SHOWER** with G&P GP25 BB launcher in everywhere!



Step 1 Detach the airsoft AK47



Step 2 Install the adapter A and B



Do not screw tight the adapter B before attach the GP25 BB launcher

Step 3 install the launcher

