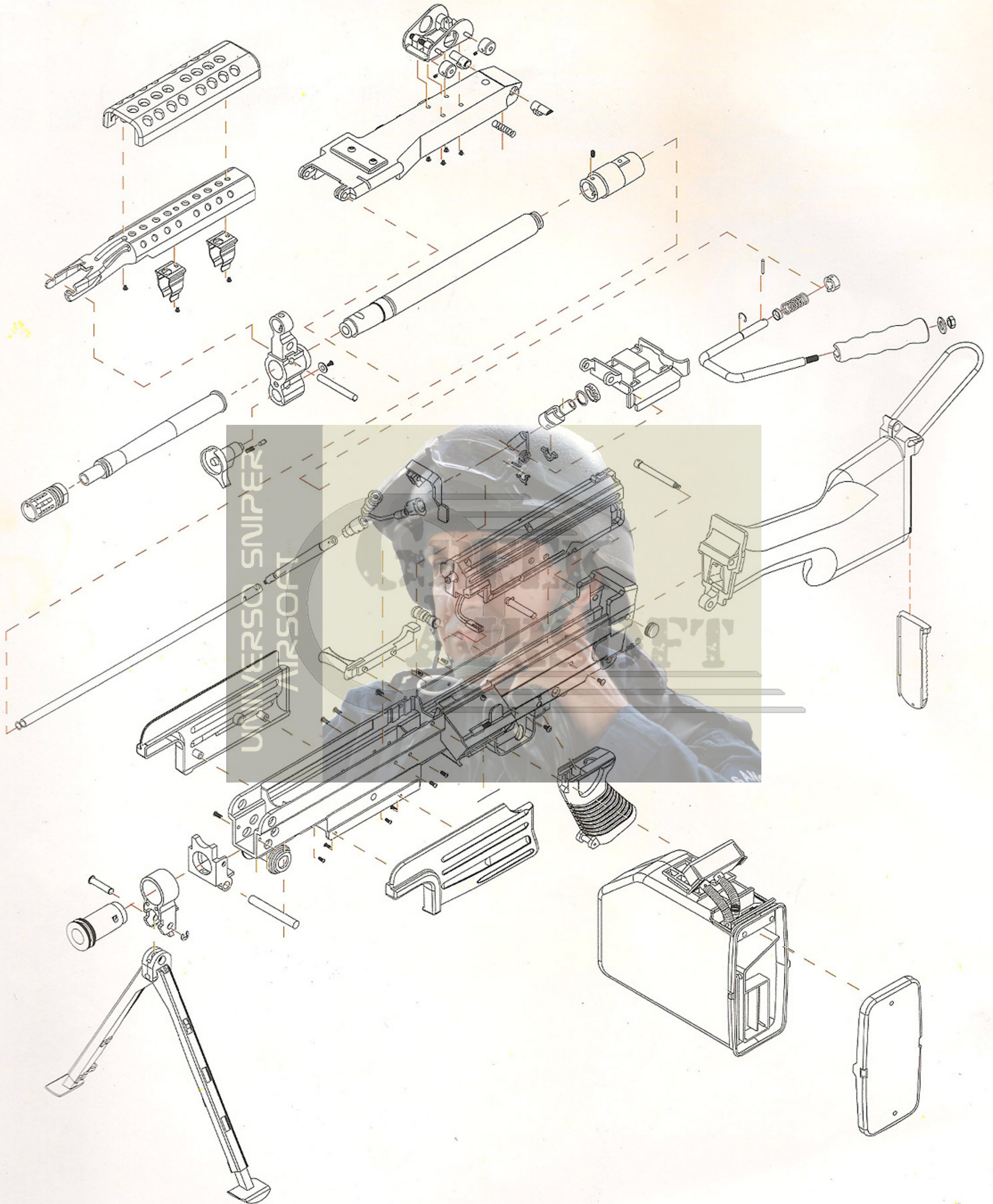


A&K 249 MKII

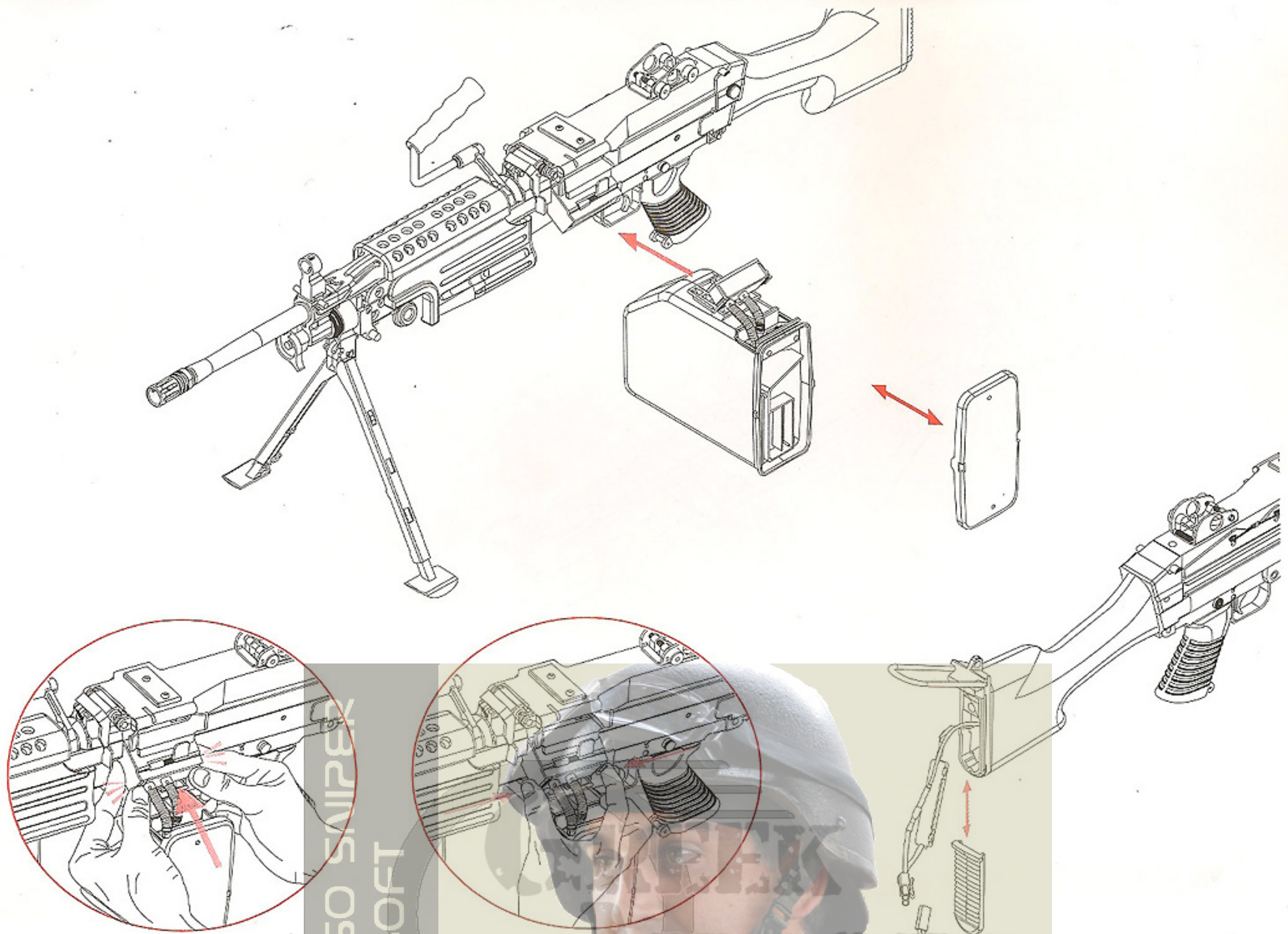
**HOP
UP**



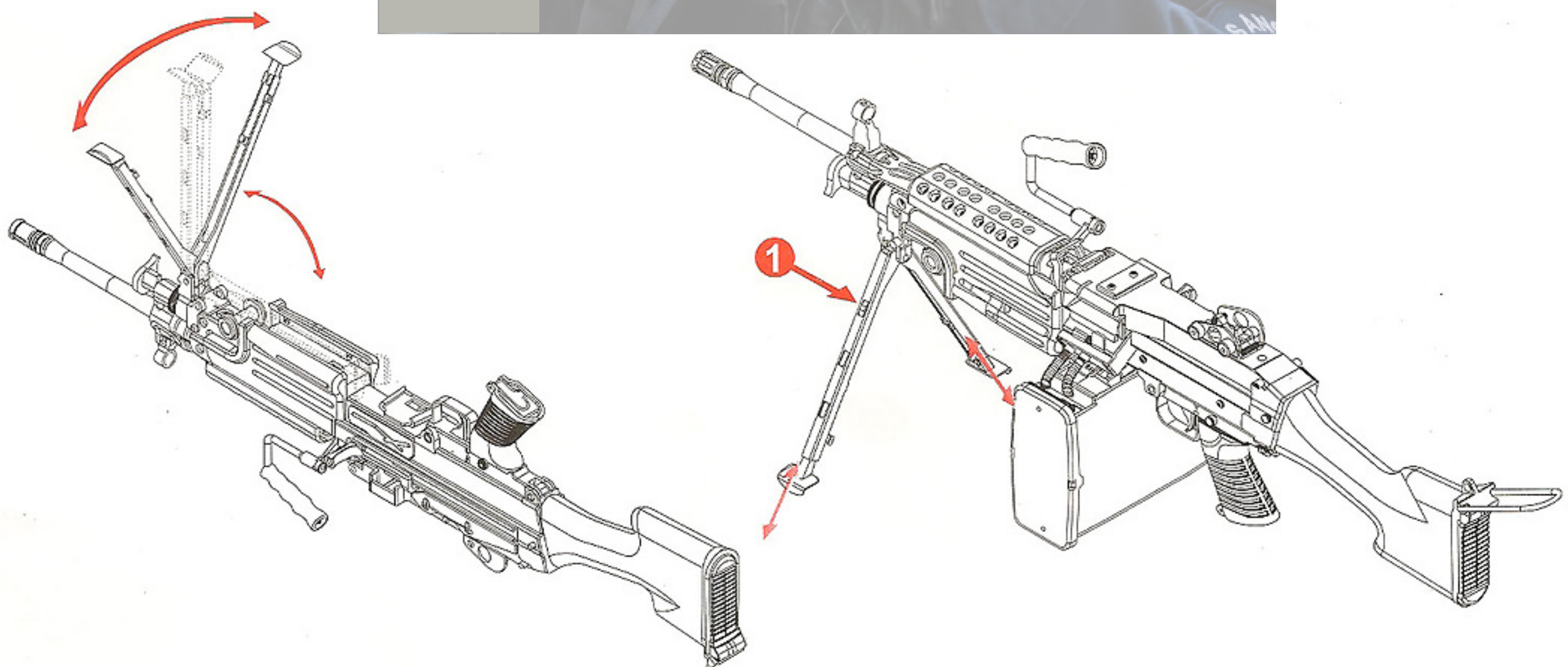
A&K249 MKII EXPOSE PLAN



BATTERY INSTALLATION

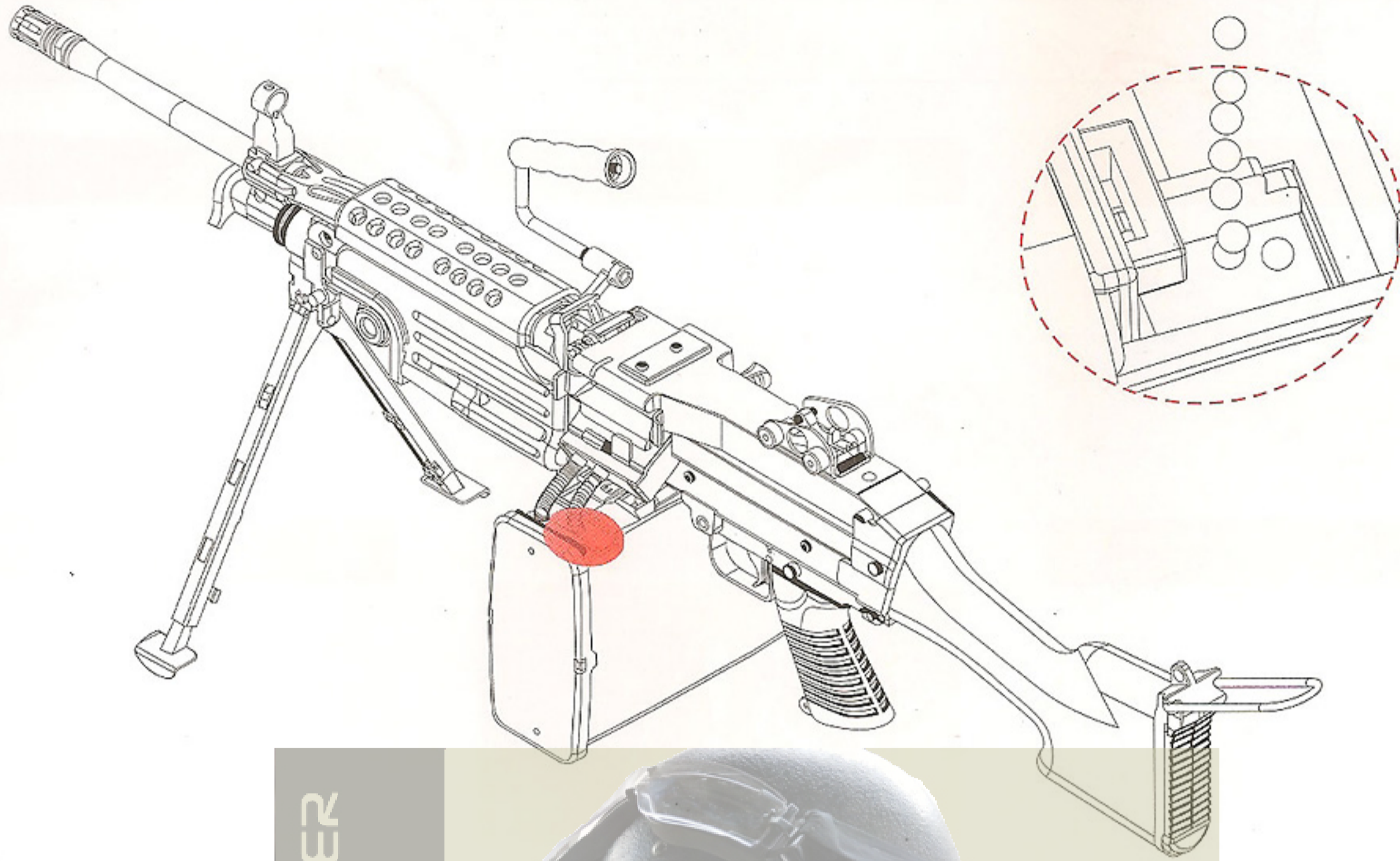


UNDERPROP ADJUSTMENT



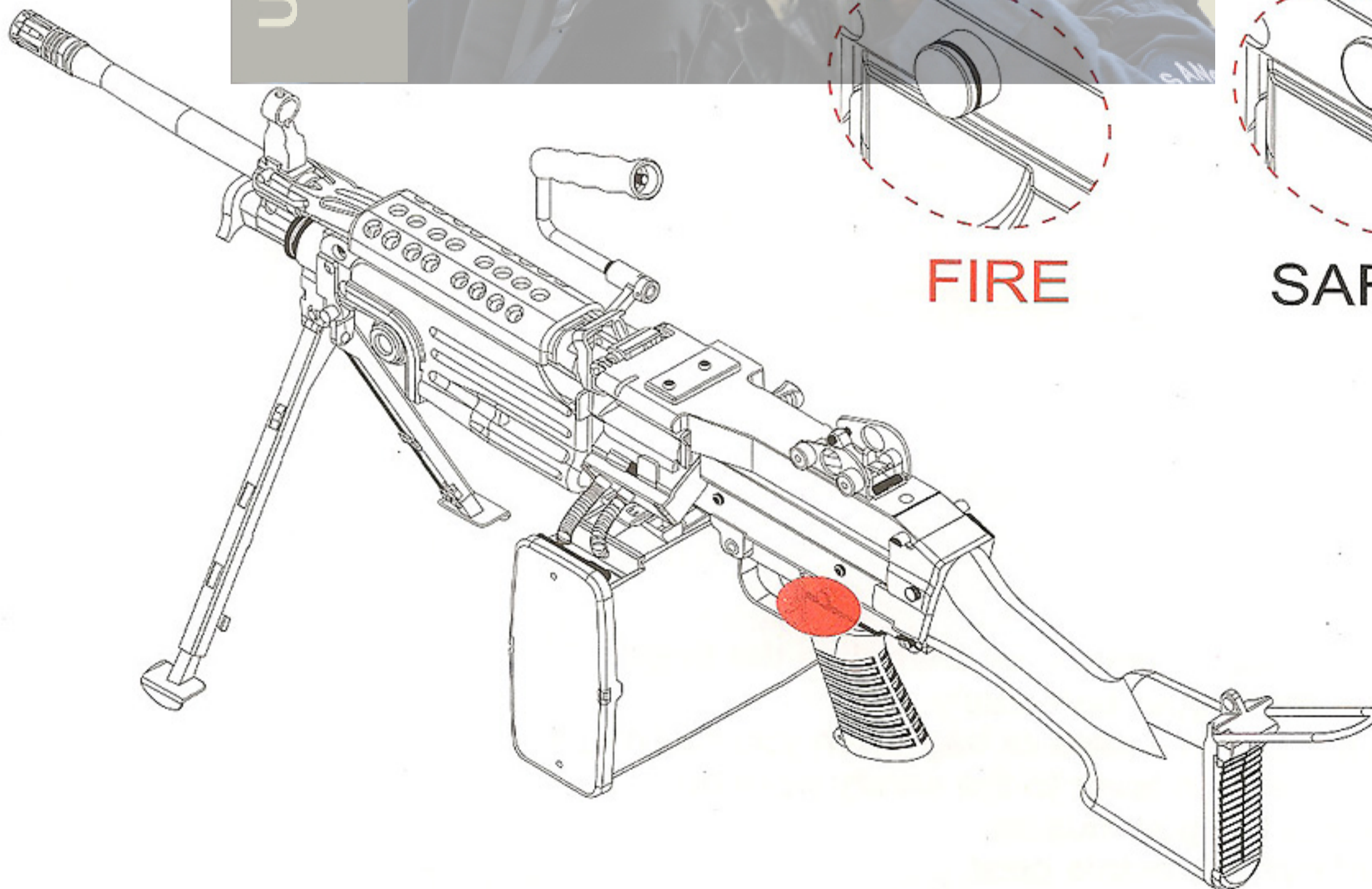
BOX MAGAZINE LOADING

BOX MAGAZINE CAPACITY: 2500 RDS

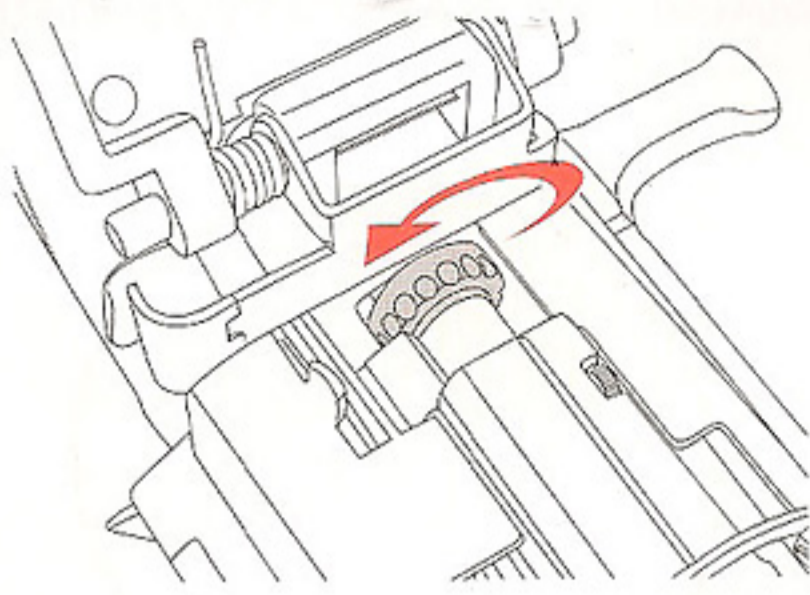


SAFETY SETTING

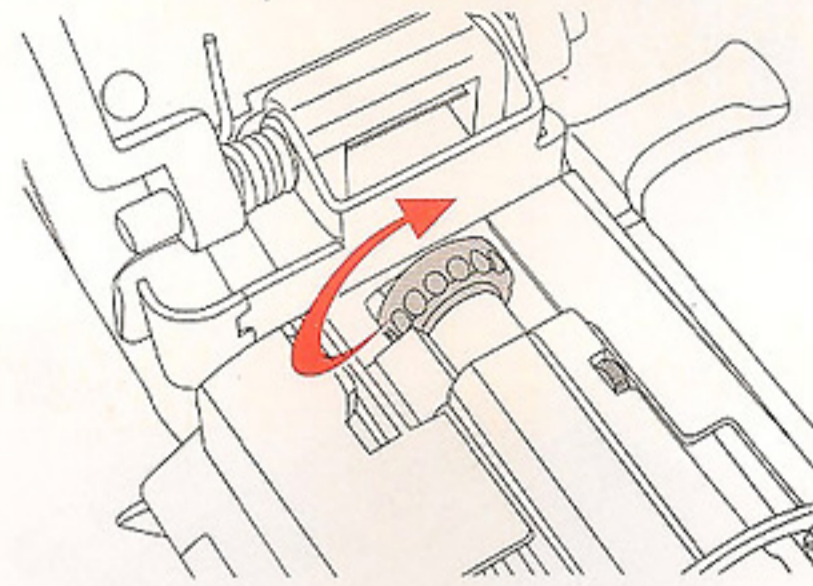
UNIVERSO SNIPER
AIRSOFT



HOP-UP ADJUSTMENT



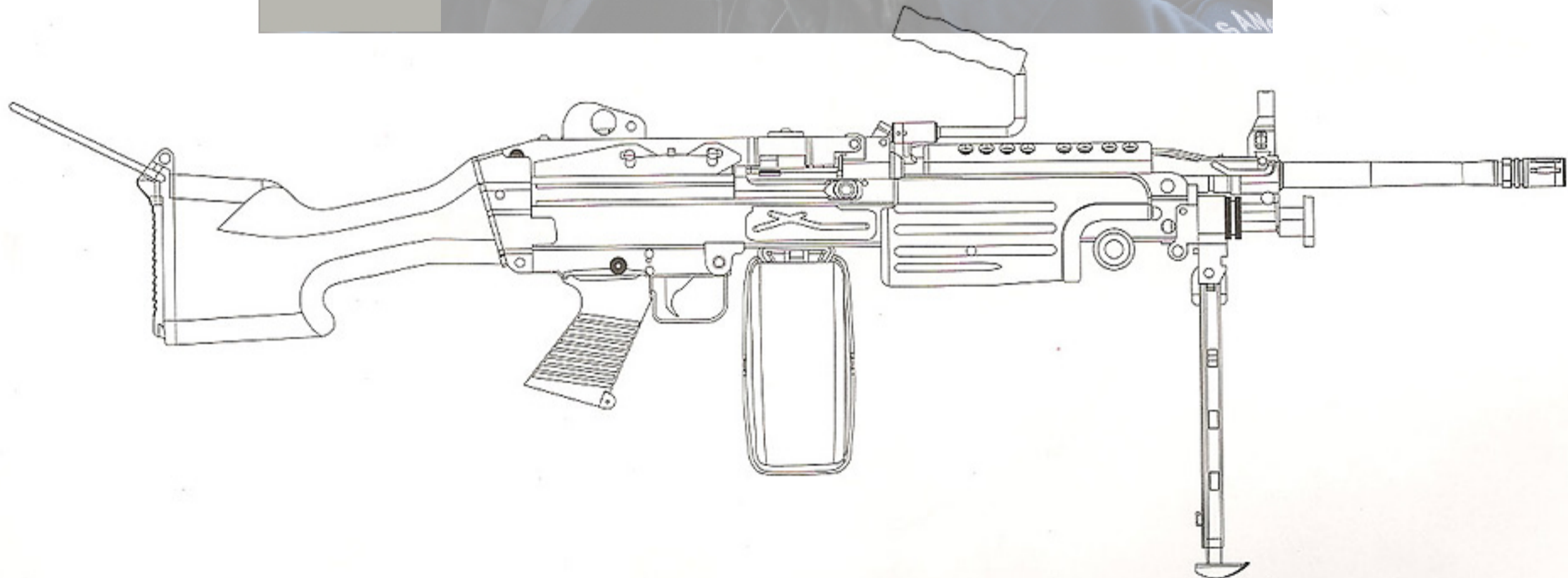
With hop up, BB pellets are able to extend its trajectory with revolution.
Adjust with 2mm wrench.



When turning to the right, hop up becomes easy.
When turning too much, BB pellets can't shoot out and problem occurs.



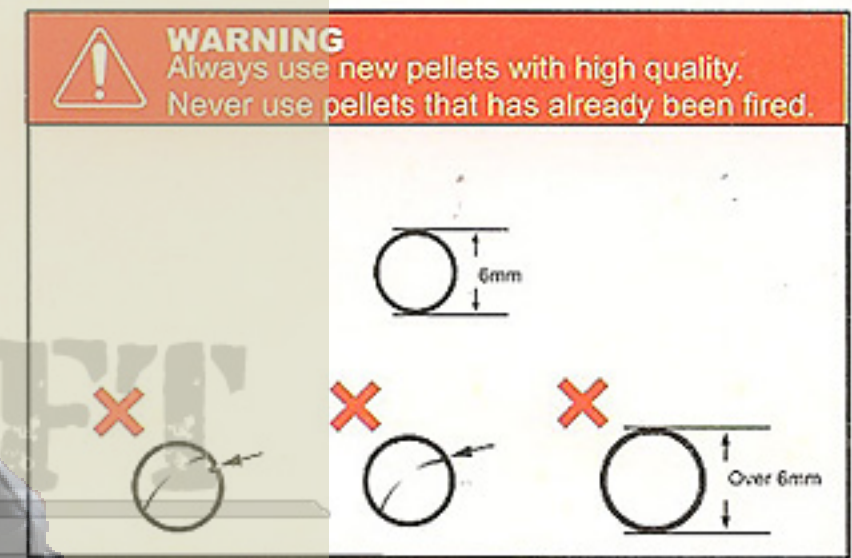
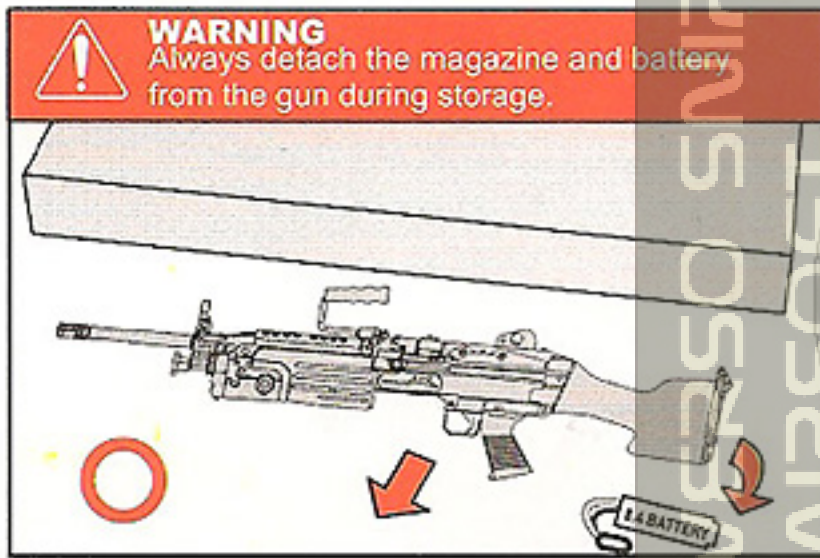
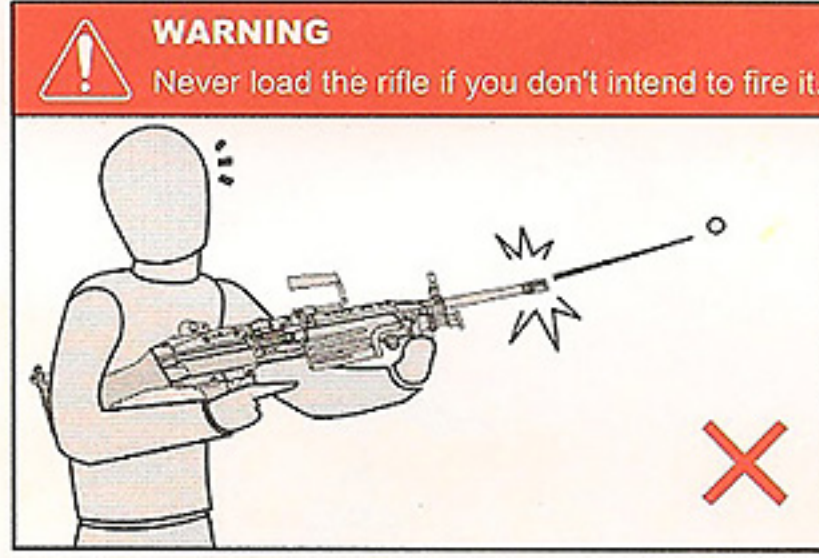
WARNING



- .Do not aim or shoot a person or animal as the target.
- .Avoid pulling the trigger carelessly.
- .Always put the gun in a case or bag when you carrying it.
- .Always set the switch lever to the safety position.
- .Do not look into the gun muzzle.
- .Always wear eye protective gear.
- .Store the airsoft gun at the places out of reach by children.
- .Do not disassemble or modify the airsoft gun.



WARNING



Data of A&K249 MKII Airsoft Electric Gun

Material: Nylon Fabric and Zinc Alloy

Hop System: Adjustable

Length: 1050mm

Weight: 6050g

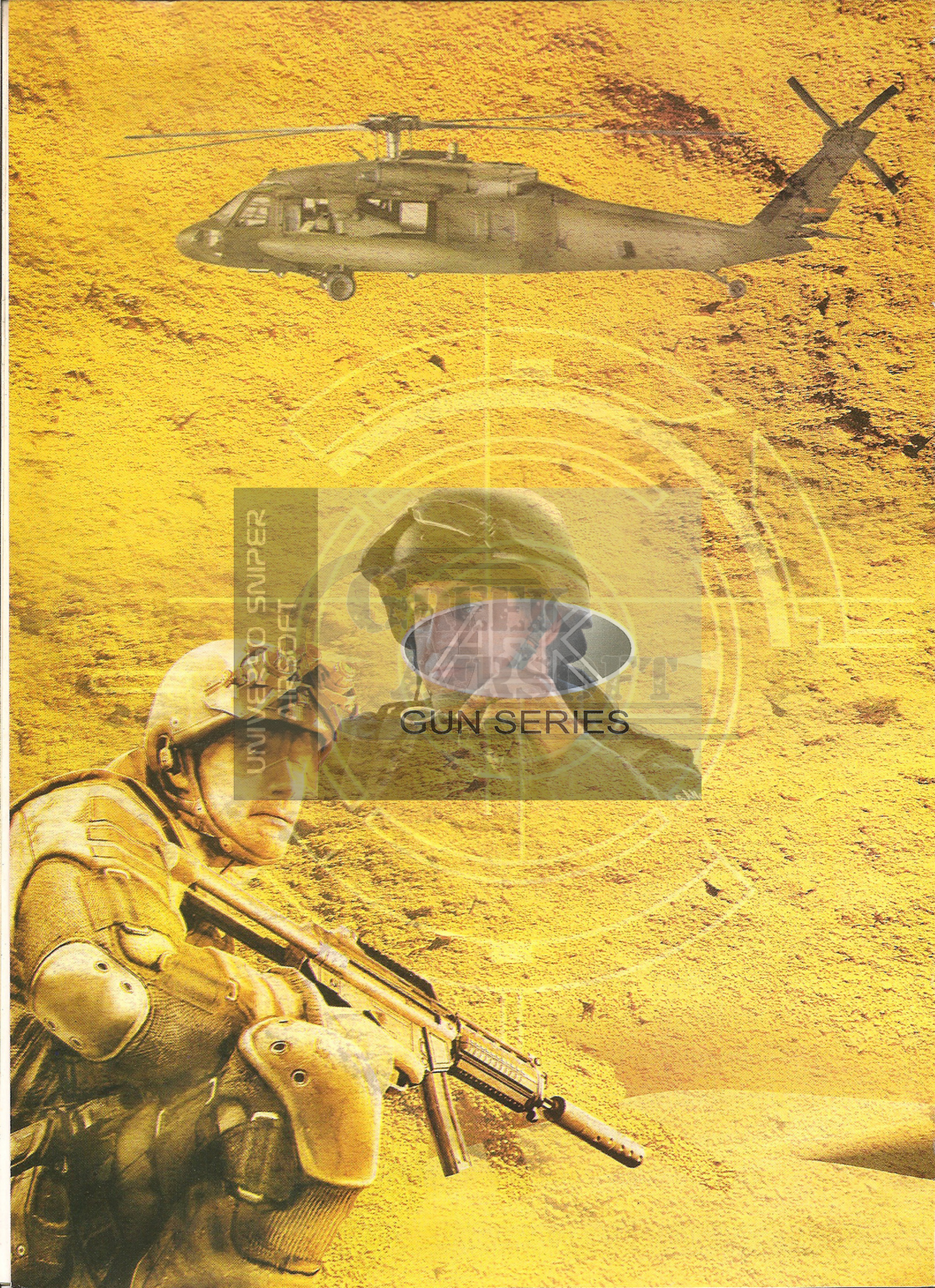
Barrel Length: 455mm

Magazine Capacity: 2500 rounds

Bullet: 6mm BB bullets

Battery: Large Type 8.4V

Motor: High Torque Flat Motor



UNIVERSO SNIPER
AIRSOFT

GUN SERIES