



AGM-SERIES

HANDLING CAUTIONS AND INSTRUCTION MANUAL

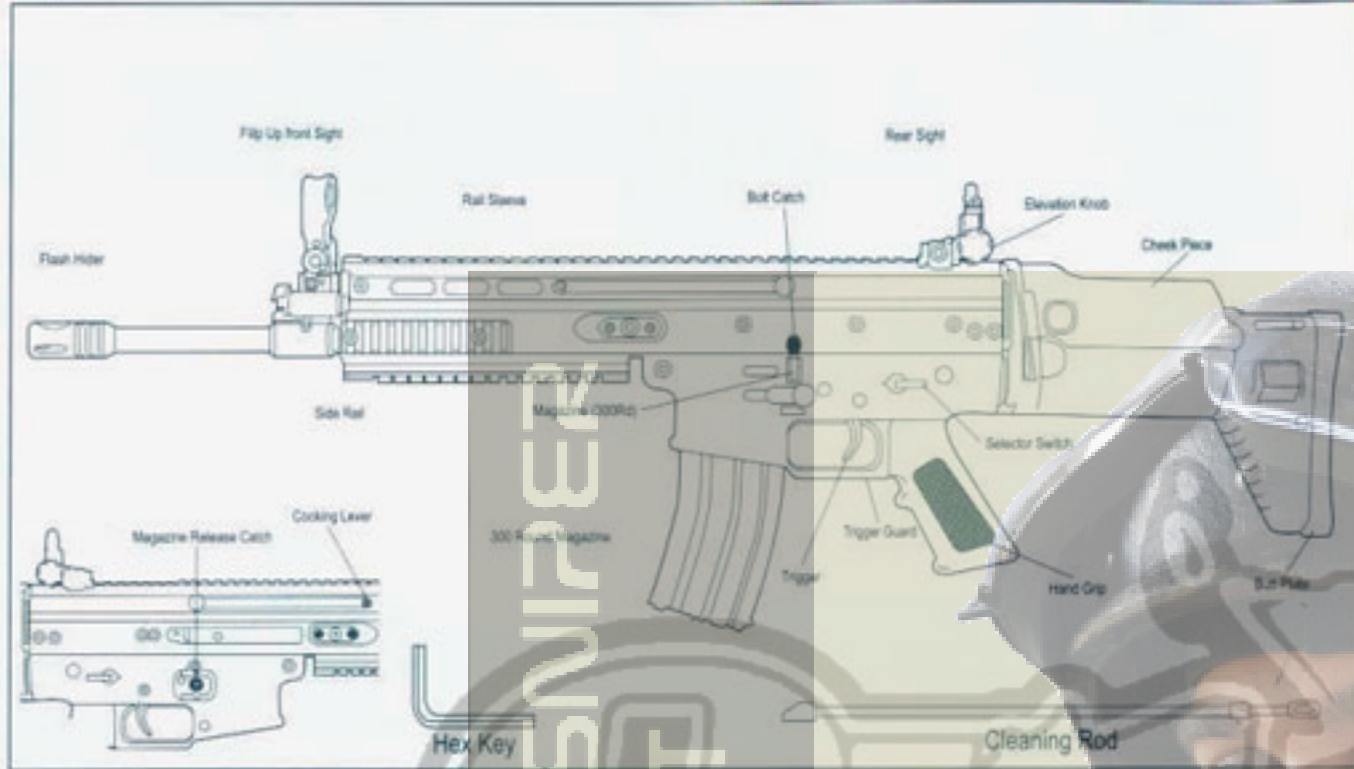


Warning

User restricted to 18 years of age or older
Always read through this manual before operation.

1 Outlook/Structure

Always set the selector switch the safe position when you are not firing or during storage



2 Specification

Data of Automatic Electric Gun

Name	055
Weight	3.5 kg
Barrel Length	334mm
Barrel Caliber	6.08mm
Pellet Capacity	300
Pellet	6mm BB
Initial Pellet Speed	85-105 m/s
Battery Type	Mini Type (8.4v)

3 Operation

1 How to use safety lock



S: Safety Lock



E: Semi Auto

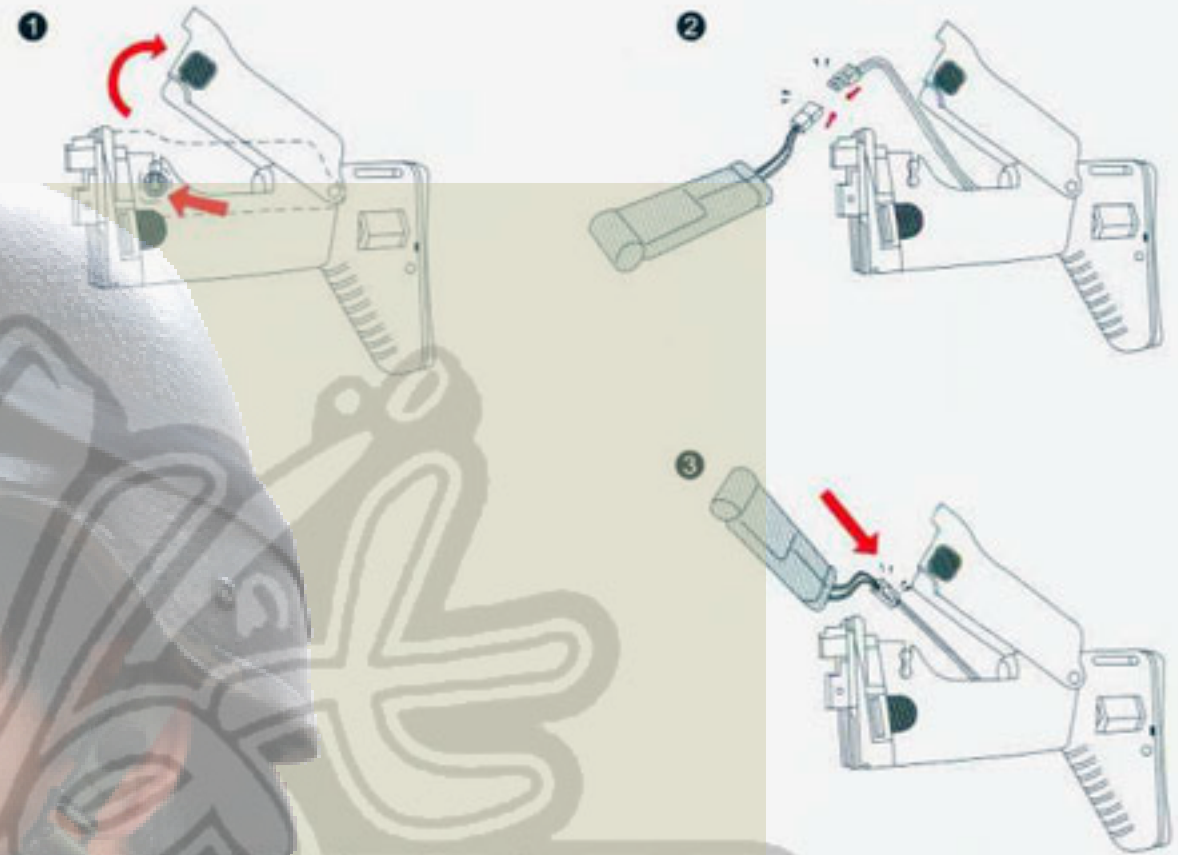


F: Full Auto

2 How to insert battery

CAUTION Be careful with your fingers.

Set the battery after charging



3 Magazine Attachment / Detachment Procedure

High precision is required for the operation of this magazine. Avoid invasion of dust and oil into the magazine to prevent malfunction.

Action against problem:
Failure in pellet feeding may occasionally occur during full auto operation. In this case, disconnect the magazine, give a slight shock or poke (10 pellets using a stick) and then set the magazine again.

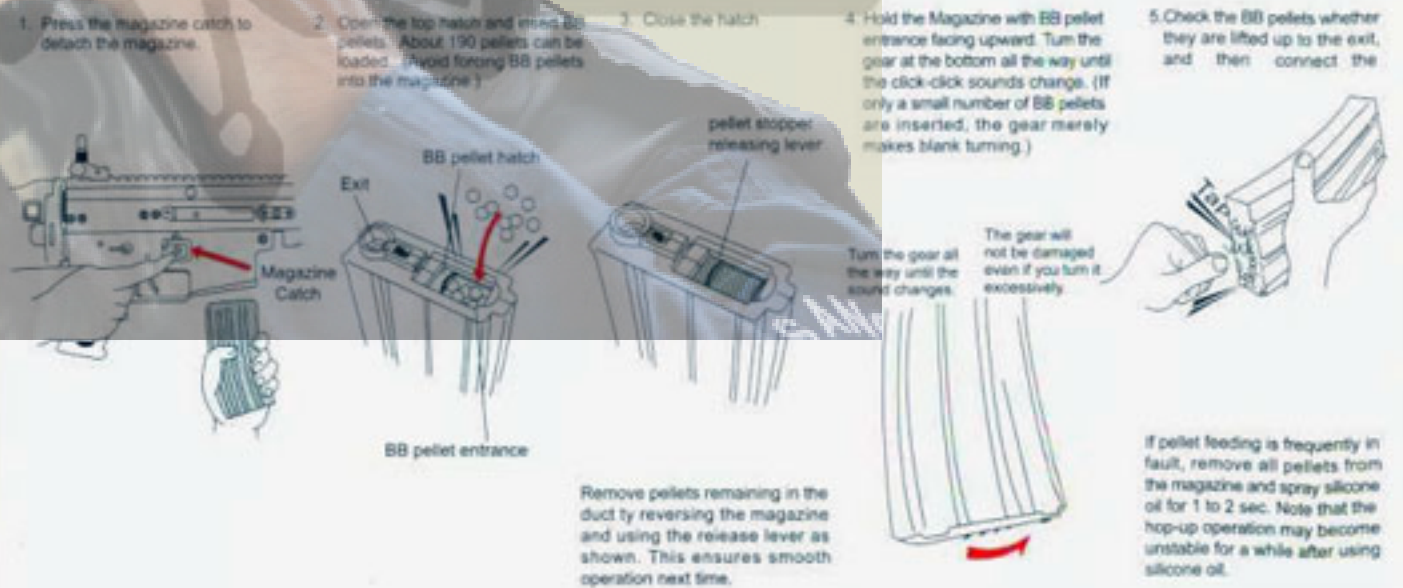
CAUTION

About 30 pellets will remain in the duct after operation. Be careful of any pellets firing out if you hold the gun up side-down and pull the trigger.

Ensure smooth pellet feeding

Occasionally give slight shocks to the gun or shake vertically for ensuring smooth pellet feeding.

Slightly turn the gear after every 50 to 60 pellets to ensure smooth pellet feeding.

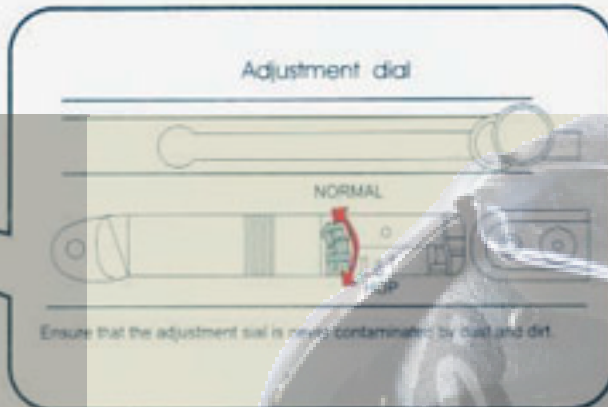
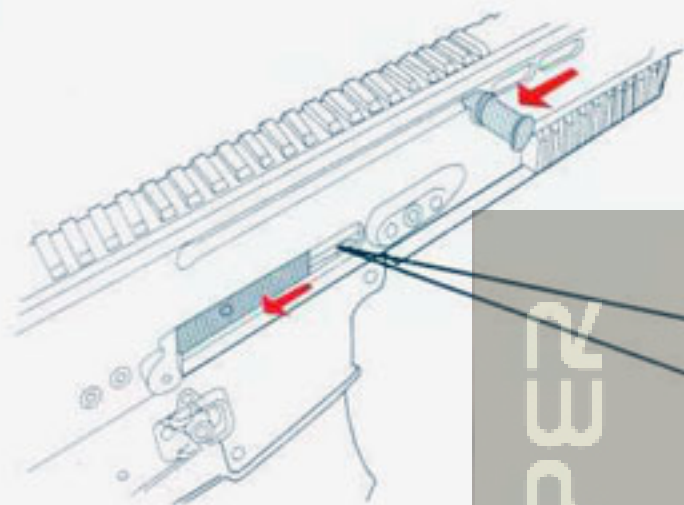


Remove pellets remaining in the duct by reversing the magazine and using the release lever as shown. This ensures smooth operation next time.

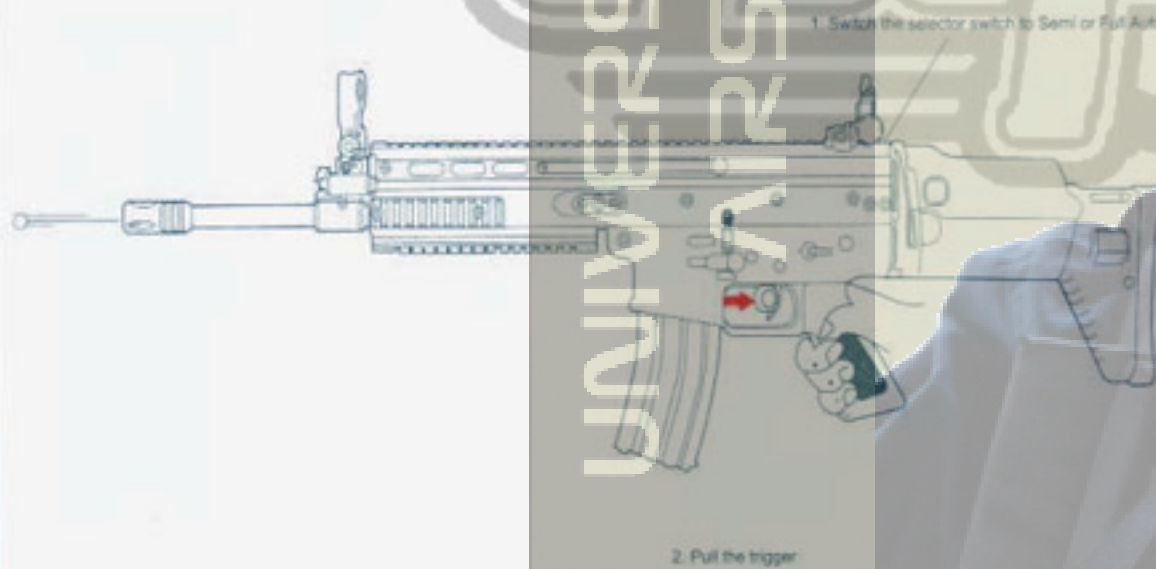
If pellet feeding is frequently in fault, remove all pellets from the magazine and spray silicone oil for 1 to 2 sec. Note that the hop-up operation may become unstable for a while after using silicone oil.

4 Adjust the Hop-Up

1 Adjust the Hop-up Chamber



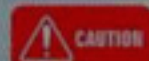
5 How to fire



There are possible cases that no firing occurs after pulling the trigger in the semi auto mode. In case, do not pull the trigger forcefully. Fire 5 to 10 pellets in the full auto mode and then return to the semi auto mode.



Smoke may be generated from the motor for a while when a new air gun is operated, this is the normal operation of the gun.



The hop up operation may be unstable for 200 to 300 pellets after using silicone oil, this is the normal operation of the gun.

* Blank firing may occur after setting the magazine, this is the normal operation of the gun.

Caution on Motor and Battery

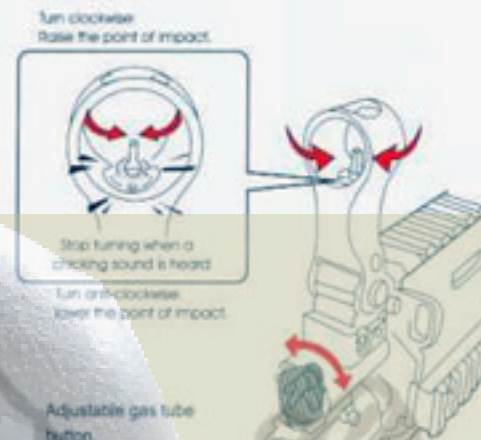
- Change the battery if the firing cycle becomes slow.
- Give the air gun a rest for 5 to 10 minutes after firing about 500 pellets in order to ensure high durability of the motor and battery.

When pellets are clogged

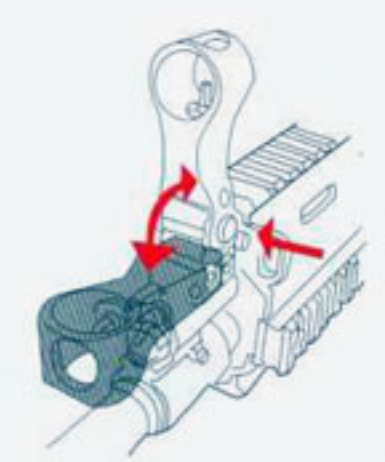
- Remove them and apply a few drops of silicone oil into chamber from the magazine entrance as shown or spray silicone oil for 0.5 to 1 sec. to obtain smooth continuous firing. (Never use CRC-556 or other mineral oil).

6 Sight Adjustment

1 Front Sight: Setting the point of impact.



2 Front Sight: Push the small button on the right and then you can flip down the sight.



3 Rear Sight: You can adjust the rear sight by turning.

4 Rear Sight: The rear sight can move left or right by turning the knob.



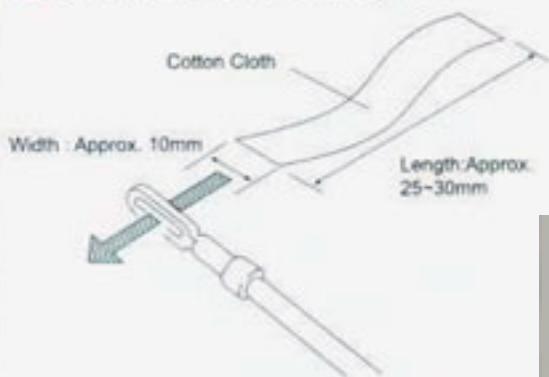
5 Press the button to raise up & down the cheek piece.

6 Push the button and flip out the stock.



4 Maintenance

1 How to use a cleaning rod



Cut a cotton cloth to the size as shown above and insert one end into the hole in the rod. (Adjust the length of cloth for smooth entry into the barrel.)



CAUTION: Always begin the maintenance by returning the hop up adjustment lever to NORMAL.



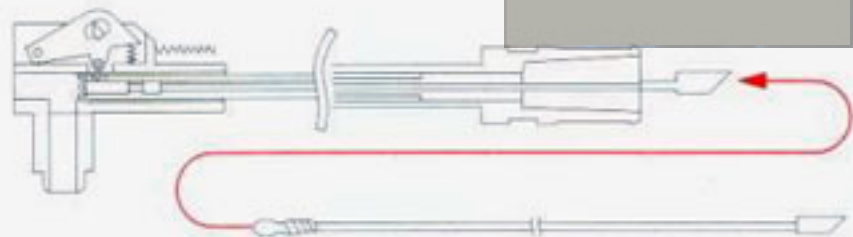
CAUTION: The chamber is a precision component. Never use any used BB pellets. The hop-up performance may become unstable for 60 to 70 pellets after maintenance.



Inserting the rod will be difficult if you hold the rod at the end.

1 Spray silicone oil for 0.5 to 1 sec in the pellet entrance, then fire 40 to 50 pellets to make the magazine stable.

2 Clean the oil from the chamber using the cleaning rod (with cotton) to complete the maintenance.



CAUTION: Always begin the maintenance by returning the hop up adjustment lever to Normal.

20A Glass Tube Fuse is used

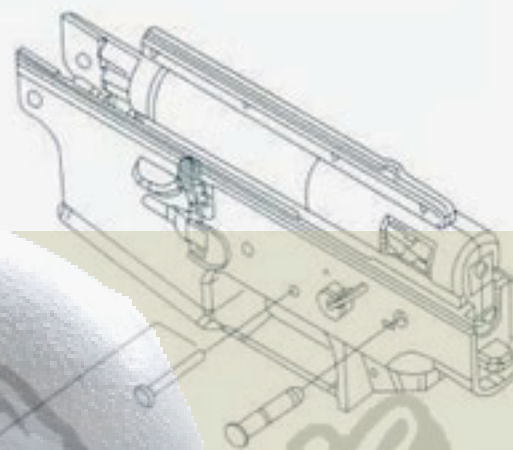


Never use any used BB pellets



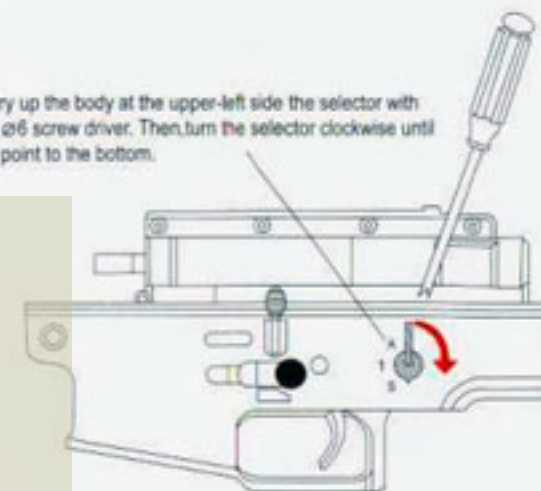
5.1 How to disassembly the gear box from the lower receiver

1



2

Pry up the body at the upper-left side the selector with a $\phi 6$ screw driver. Then, turn the selector clockwise until it point to the bottom.

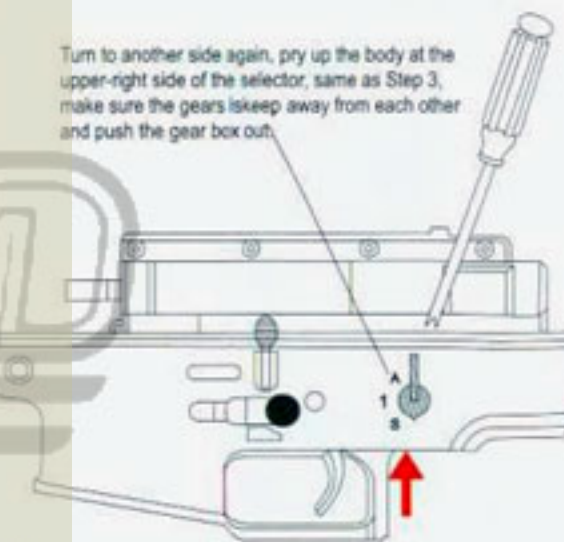


3

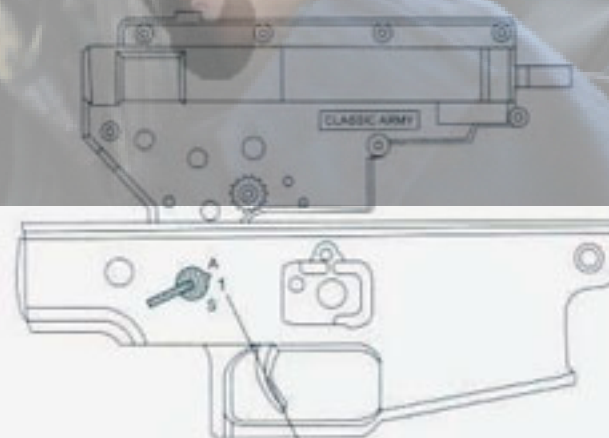
Turn to another side, pry the body up with the screw driver, make sure the fan-shaped gear in the body is keep away from the selector gear on the gear box, and push the gear box out with your left hand in the bottom (Point A).

4

Turn to another side again, pry up the body at the upper-right side of the selector, same as Step 3, make sure the gears is keep away from each other and push the gear box out.



5



5.2 How to assembly the gear box into the lower receiver

1 Switch the selector and point to the letter 'A'.

2 Push the selector plate to the right, and make sure it stay at the same position during this process..

3 Slightly push the gear box into the body with your left hand pry the body up with the screw driver, make sure the fan-shaped gear in the body is keep away from the selector gear on the gear box, and push the gear box into the body.

4 Try to pry up the body with the screw driver, same as Step 3, make sure the gears is keep away from each other and push the gear box. Then take out the screw driver.

5 Slightly push the gear box into the body with both your hands.

6 Pry up the body again and adjust the position of the selector by turning it anti-clockwise until it pointed to letter 'A'. Check the both side of the selector is correctly functioned or not.

7 Insert the pins into the body.

UNIVERSO SIVIR

6 **WARNING**

WARNING
Never point the muzzle at people or animals.

WARNING
Never load the rifle if you don't intend to fire it.

WARNING
Please keep the rifles far away from children.

WARNING
Please remember to wear protective glasses or shooting glasses to protect the eyes.

WARNING

Always read this manual before use.

WARNING
Don't try to fire at the muzzle directly.

WARNING
Always detach the magazine and battery from the gun during storage.

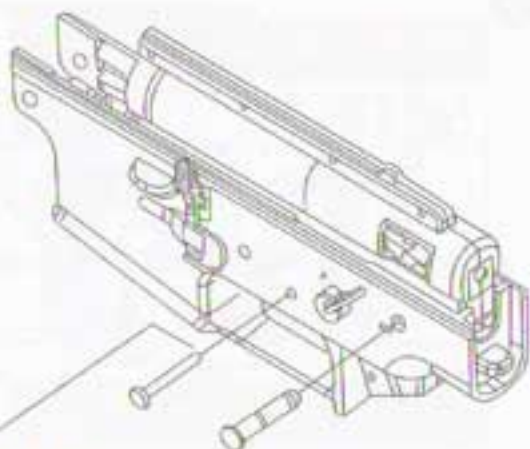
WARNING
Don't bring your finger on the trigger if you are not shooting.

WARNING
Please use new pellets with high quality. Don't use pellets that has already been fired.

In no event shall Classic Army or any of our partners be liable for any direct or indirect, Special, incidental, or consequential damages in connection with the use of our products.

5.1 How to disassembly the gear box from the lower receiver

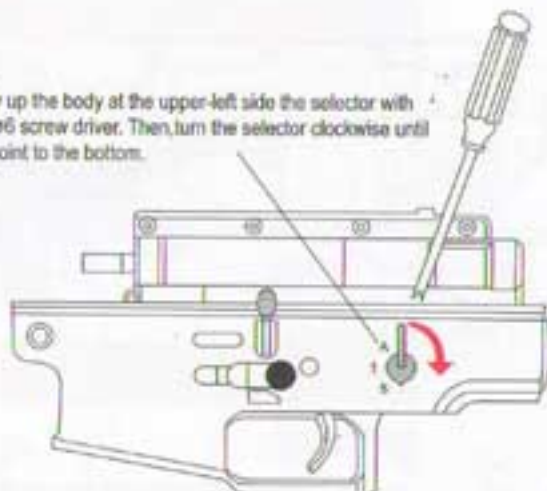
1



Take out pins from the body.

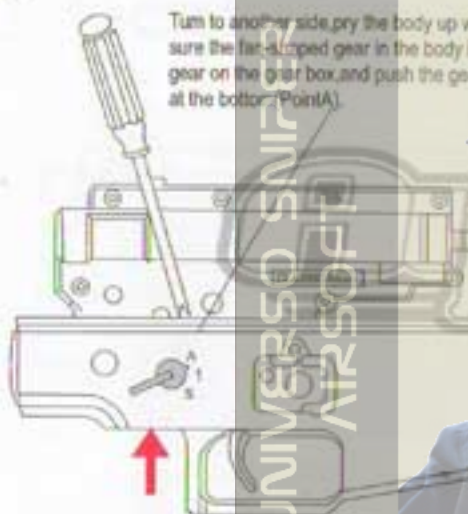
2

Pry up the body at the upper-left side the selector with a $\phi 6$ screw driver. Then, turn the selector clockwise until it point to the bottom.



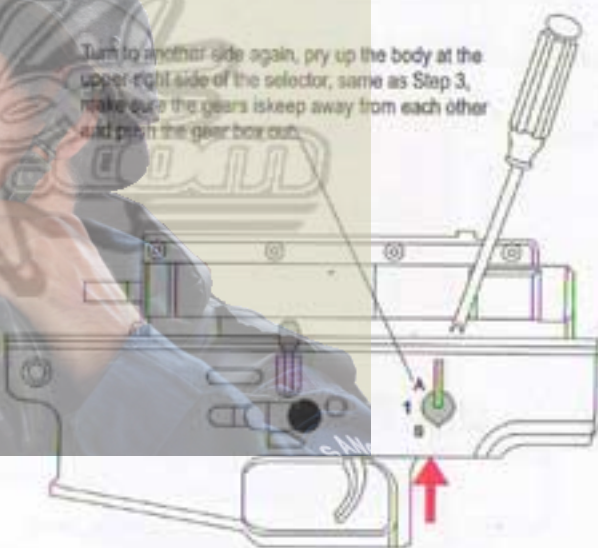
3

Turn to another side, pry the body up with the screw driver, make sure the far-stripped gear in the body is keep away from the selector gear on the gear box, and push the gear box out with your left hand at the bottom (Point A).

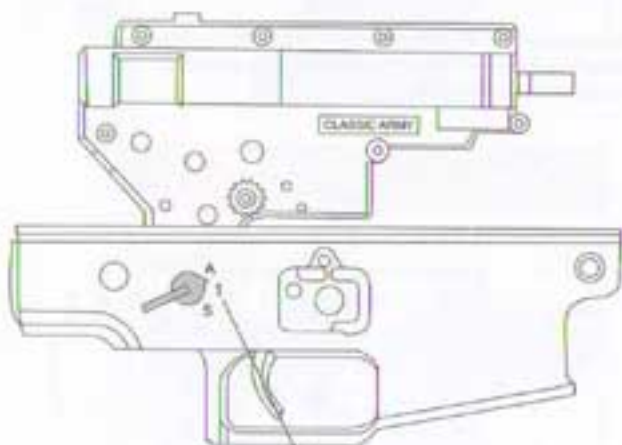


4

Turn to another side again, pry up the body at the upper right side of the selector, same as Step 3, make sure the gears is keep away from each other and push the gear box out.



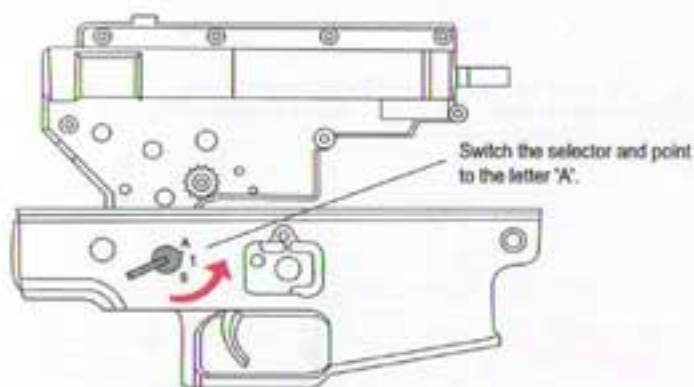
5



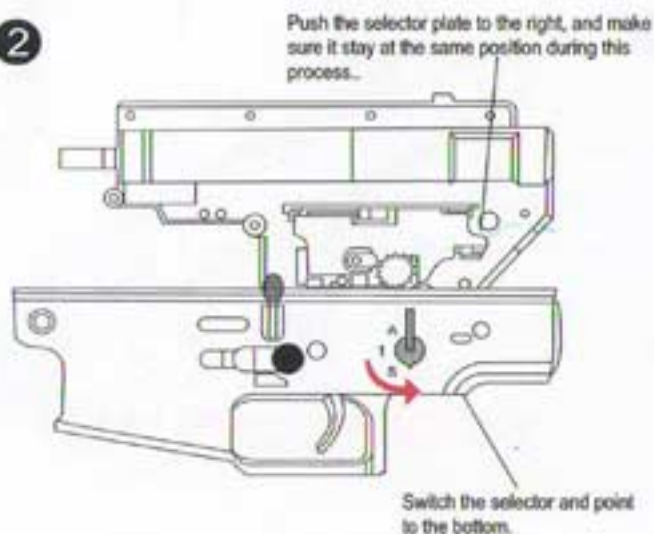
Take out the gear box, if you found it is very hard to take it out, repeat Step 3 and 4.

5.2 How to assembly the gear box into the lower receiver

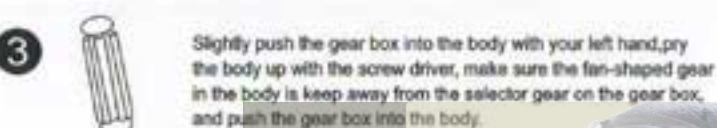
1



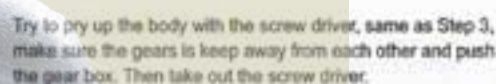
2



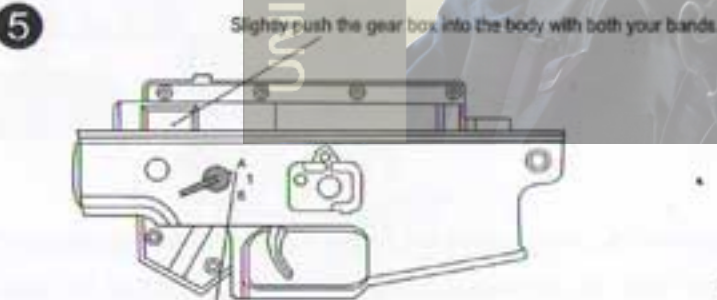
3



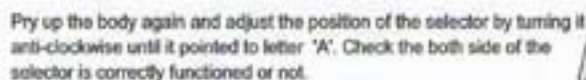
4



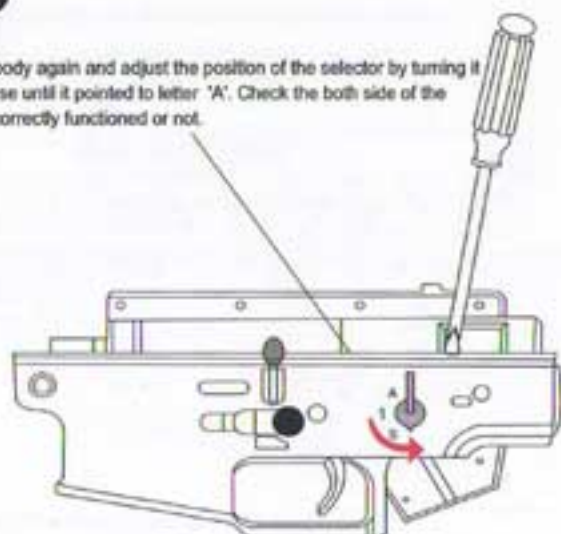
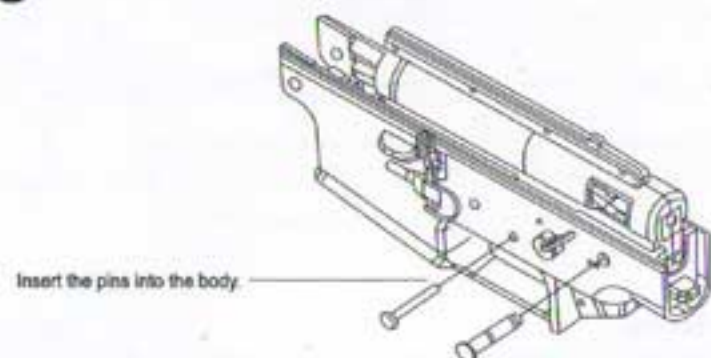
5

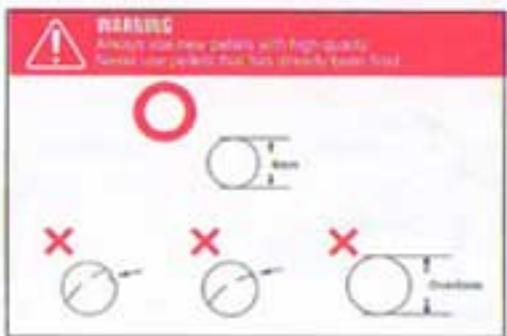
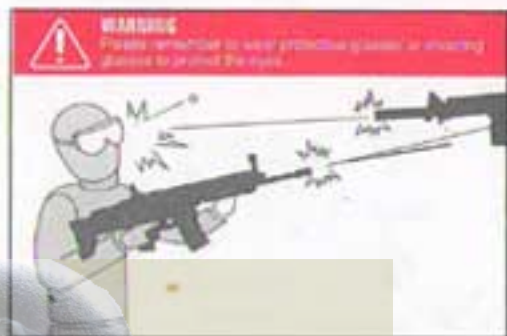


6



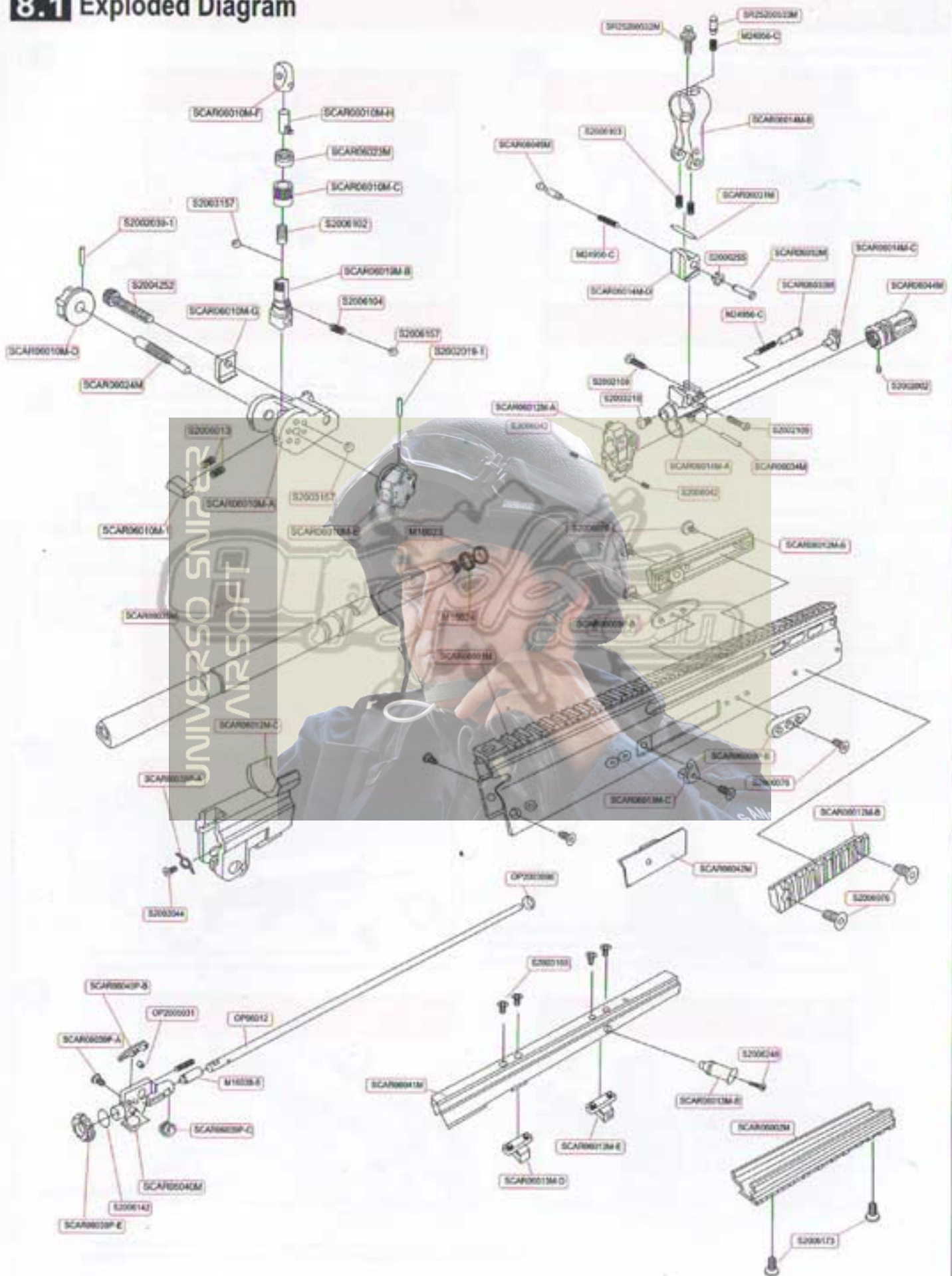
7





In no event shall Classic Army or any of our partners be liable for any direct or indirect, Special, incidental, or consequential damages in connection with the use of our products.

8.1 Exploded Diagram



8.2 Exploded Diagram

