



# ATTENTION 注意

<INSTRUCTION> PLEASE READ IT BEFORE USE IT.  
<使用注意書> 使用之前請務必閱讀。

It is for your to enjoy the fun of shoot that this soft ballistic gun is made. Various kinds of guns have their own features, So you should have sound comprehension before you enjoy the fun of safe shooting. The BB bullets can flight a distance Of 50-60 m. If it is not properly used, there would be some risk. So you have read the instructions carefully before using it, And strictly follow them while using it, and then, you can enjoy the fun of shooting.

製作此軟彈槍，是爲了讓您享受射擊遊戲的樂趣。各種各樣槍的特點，使用時的注意事項應詳細了解后才能享受安全運動射擊的樂趣。發射的BB彈能飛出約50-60M。如果使用不當，就有受傷的危險。用之前，一定要仔細閱讀注意事項（使用說明書），而且要嚴守規定，才能享受運動射擊的樂趣。

**ATTENTION Please pay attention: you would probably be hurt because of carelessness or shooting mistake.**  
**注意 如果稍不留神或發射錯誤都有可能引起受傷的危險，請萬分注意！**

**ATTENTION MAKE SURE TO WEAR PROTECTION GLASSES TO PROTECT YOUR EYES.**  
**注意 一定要戴護目鏡以保護眼睛。**



Make sure to wear protection glasses while shooting BB bullets or playing game. What's more, the BB bullet will go back once it hits hard object, (attention: please don't train on people.)

發射BB彈或遊戲時，一定要戴護目鏡以保護眼睛。而且，BB彈一撞到硬的物體可能會反彈（注意一定不能對著人發射BB彈）。

**ATTENTION DON'T TRAIN ON PEOPLE AND ANIMALS.**  
**注意 不能對著人或動物發射。**



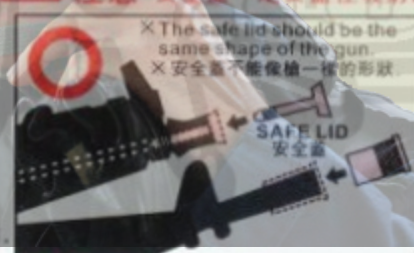
Please don't train the soft ballistic gun on people or animals. Please cover the muzzle with the safe lid, if you are not shooting. 請不要將軟彈槍對著人或動物發射。除了對準目標發射后，請將安全蓋蓋在發射口上。

**ATTENTION YOU WILL BE PUNISHED IF YOU SHOOT MISCHIEVOUSLY.**  
**注意 如果胡亂發射，可能會受到罰款。**



Those who shoot mischievously or train the gun on people or animals will probably be punished by law. 諸如胡亂發射，對著人或動物發射就有可能射傷他人，因此也有可能受到法律的懲罰。

**ATTENTION THE SAFE LID SHOULD COVER THE MUZZLE.**  
**注意 安全蓋一定要蓋住發射口。**



Please cover the muzzle with the safe lid, so that the BB bullets won't be shot randomly. 爲了使BB彈不會隨意發出，發射口一定要蓋上安全蓋。

**ATTENTION DON'T LOOK CLOSE TO THE MUZZLE AT ANY TIME.**  
**注意 無論什麼時候都不能窺看發射口。**



Your eyes will be hurt if the BB bullets shoots your eyes by chance, it is very dangerous. So don't look close to the muzzle at any time. 如果BB彈剛好射中眼睛，可能會使眼睛受傷，非常危險。因此，無論什麼時候都不能窺看發射口。

**ATTENTION DON'T SHOOT CASUALLY.**  
**注意 不能隨意扣動扳機。**



Shoot casually will cause great danger, so please shoot before you take away the lid, and aim at the object. 不加注意而扣動扳機會引起極大危險。一定要取下安全蓋，對準目標后才能扣動扳機。

**ATTENTION THE MUZZLE SHOULD BE DIRECTION AT THE SAFE DIRECTION.**  
**注意 發射口，一定要對準安全的方向。**



The muzzle should not train on people or animals or any where that would cause danger. Please cover the lid except shooting. 發射口，絕對不能對準人、動物或其它危險的方向。除發射時以外，安全蓋一定要蓋住發射口。

**ATTENTION DON'T SHOOT WHERE THERE ARE PEOPLE OR TRANSPORTATION.**  
**注意 決不能在有人或車通過的場所發射。**



The soft ballistic shooting place should be in the safe arena., those places where there are people or transportation are not allowed to shoot. 發射軟彈的場所，一定要在安全的場所。像人或車通過的場所，或周圍有人的場所決不能發射。

**YOU HAVE TO READ THE INSTRUCTION CAREFULLY BEFORE USING IT BECAUSE THE OPERATION IS DIFFERENT FROM THE NORMAL GUN.**

因使用方法和一般的槍不同，所以一定要詳細了解后才能使用。

**THOSE INCIDENT, DANGER, HURT, REPAIR CAUSED BY THE WRONG WAY OF OPERATION, READJUSTMENT, DISMANTLE ARE CLAIMED TO BE THE RESPONSIBILITY.**

錯誤的使用方法，操作，改裝，拆散等引起的事故，危險，損傷，維修等都不是經銷商的責任。

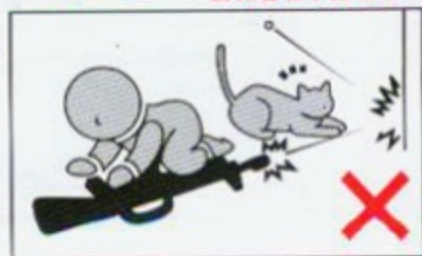
# Always read through this manual before operation. 在操作之前必需讀熟這些說明書

**ATTENTION 注意** PLEASE PUT IT IN A BAG OR BOX WHILE CARRYING IT.  
攜帶著走路時,一定要裝入盒子或包子。



While carrying the soft ballistic gun, make sure the muzzle is tightly covered by the lid, and should be put in the bag or box.  
攜帶軟彈槍走路時,安全蓋子一定要蓋住發射口,並貼緊,而且一定要裝入盒子或包子內。

**ATTENTION 注意** KEEP IT OUT OF THE TOUCH OF THE LITTLE KIDS.  
請保管在小孩觸手不及的場所。



Please put it in the bag or box with the safe lid covered while not using it. And make sure to keep it out of the touch of kids that below 10.  
不使用時,一定要將安全蓋蓋住發射口,放入盒子或包子中,並請保管在未滿10歲小孩觸手不及之處。

**ATTENTION 注意** YOU CAN CONDUCT BB BALLETS EVEN THOUGH THE BALLISTIC BOX.  
即使取下子彈匣,也有可能發射BB彈。



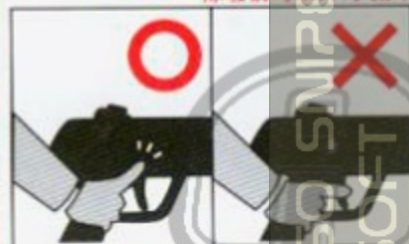
The BB bullets may probably leave in the gun body even you take away the ballistic box, which is very dangerous. So please cover the muzzle with the safe lid after taking away the ballistic box.  
即使取下子彈匣,BB彈也有可能殘留在槍機中,非常危險。取下子彈匣后,請將安全蓋蓋住發射口。

**ATTENTION 注意** PLEASE COVER IT WITH STICKY TAPE.  
請將膠紙封住。



Cover the muzzle with the safe lid. Attach the sticky paper to anywhere that is possible to conduct shooting. Please take away the ballistic box.  
① 將安全蓋蓋住發射口。  
② 在有可能造成發射之處貼上膠紙。③ 請取下子彈匣。

**ATTENTION 注意** DON'T PULL THE TRIGGER EXPECT YOU WANT TO SHOOT.  
除發射時以外,手指不能扣動扳機。



Don't pull the trigger expect you want to shoot. It is very danger if pull trigger because of spring.  
除發射時以外,手指不能扣動扳機。如果因為彈力而扣動扳機時,將會非常危險。

**ATTENTION 注意** DON'T DISMANTLE THE GUN BODY.  
請不要拆散槍機。



The dismantlement of the gun body would easily cause trouble, incident, which is really dangerous. So please don't dismantle the gun body.  
拆散槍機很容易造成故障,事故,非常危險。請絕對不能拆散槍機。

**ATTENTION 注意**

- THIS SOFT BALLISTIC GUN IS INSTALLED WITH 6MM BB BALLETS WHICH CAN SHOOT IN A DISTANCE OF 50-60M. WHILE USING THIS GUN, YOU HAVE TO CONCERN ALL KINDS OF RISKS, MAKE SURE TO USE IT IN A ABSOLUTE SAFE CONDITION.
- WHILE PLAYING GAMES, PLEASE MAKE SURE THE SAFE CONDITION WHERE THE BB BALLETS MAY POSSIBLY REACH. MAKE SURE THE SECURITY OF THAT THOSE WHO DON'T WEAR PROTECTION GLASSES OR THE SPECTATORS.
- THE MUZZLE SHOULD NOT BE DIRECTED AT GLASS, BULB, FLUORESCENT LAMP, OR HOUSE MACHINE, TEA SET, OR PLATE, FURNITURE, GAS BOTTLE ETC. BECAUSE OF THE DANGER CAUSE BY BROKEN.
- EXCEPT BB BALLETS, NOTHING CAN BE PUT INTO BALLISTIC BOX AND SHOOTING MACHINE.
- THE FINGER CAN INSERT INTO CERTAIN SPOT ACCORDING TO THE SHAPE OF GUN, BUT PLEASE DON'T PUT YOUR FINGER INTO THE GAP OF THE GUN BODY.
- MAKE SURE THE GUN IS PLACE IN THOSE PLACE WHERE IS NOT EASY TO FALL, AND SHOULD BE OUT OF THE REACH OF THE KIDS BELOW 10. WHAT'S MORE, IN ORDER TO PREVENT THE NAUGHTY KIDS, THE MUZZLE SHOULD BE COVERED WITH SAFE LID, AND SHOULD BE PUT IN BAG OR BOX.
- WHEN YOU FOLLOW THE RIGHT WAYS (ACCORDING TO THE INSTRUCTION), BUT STILL CAN SHOOT BB BALLETS; OR WHEN YOU CAN REPAIR BECAUSE OF THE BREAKDOWN CAUSED BY THE GETTING OLD, OR THE FALL DOWN CAUSED BY THE WRONG OPERATION, PLEASE SEND TO THE STORE WHERE YOU GET IT OR MAIL IT TO TO HAVE IT REPAIRED.
- IF YOU OPERATE PROPERLY, IT CAN CONDUCT 30000 ROUNDS OF BALLETS, AND THE ACCESSORIES CAN BE REPLACED. IF YOU CAN'T DO IT, THAT MEANS THERE IS SOMETHING WRONG IN IT. PLEASE SEND IT TO THE STORE WHERE YOU GET IT OR MAIL IT TO HAVE IT EXAMINED OR CHANGE THE PARTS.
- 此軟彈槍安裝的6毫米的BB彈能飛出50-60米。使用時要考慮各種危險,應在十分安全下才能使用。
- 玩遊戲時,要確認BB彈可能射到之處的安全。注意沒有戴護目鏡的人和不參加遊戲的人的安全。
- 因有破碎、損壞的危險,發射口絕對不能對著玻璃、日光燈、電燈、家庭用電氣品、茶具及盤子等、家具、自動、氣瓶等發射。
- 子彈匣和發射器,除BB彈外不能放入其他物品
- 此槍機的形狀,手指等可能插入某處。請注意手指一定不能插入槍機的間隙。
- 擺放槍機的地方一定是不易掉落或滾落,並保管在未滿18歲小孩觸手不及之處。另外,為防止小孩搗蛋,發射口一定要用安全蓋蓋住,而且要裝進袋子或盒子內。
- 正確使用方法(按說明書),但不能發射BB彈時,可因變舊而引起的故障,錯誤使用引起的掉落等自己無法修改時,請務必拿到所購買的商店維修。
- 正確使用此槍機約能發30000發,還能更換配件,如果不能的話說明裡面有故障,請拿到所購買的商店檢查或更換配件。

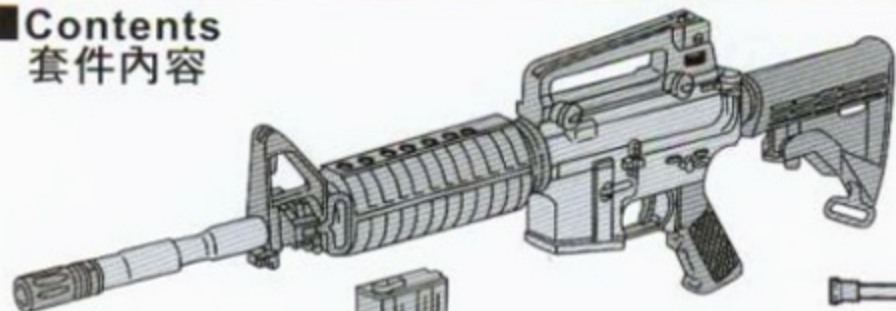


About the instruction 關於使用說明書的表示

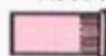
- This instruction is written for the purpose of using our product properly and safely. The instruction with illustrations enables users to understand and operate the product better. Properly use this product after you read it carefully and know all the notices in it. 本說明書是根據商品的正確使用及其安全使用為目的所編寫。操作以上圖示配合文字說明來加深使用者對商品的正確理解運用。請在熟讀本說明書后注意各提示內容后再正確使用本商品。
- Warning: If you don't pay attention to the cautions and install or use it wrongly, it may cause accidents or malfunctions. 警告：如果無視各注意事項的提示，並錯誤組裝使用可能會造成受傷事故或商品故障等危險情況！
- We shall not be responsible for any damage or malfunction of the gun caused by wrongful operation stated in the instruction. 如果不參照本說明書所述方法進行組裝使用而導致槍支破損以及故障發生，本公司恕不承擔責任！

Please read it carefully before and after installation.  
組裝使用前及使用后必須詳細閱讀。

## Contents 套件內容



Protective cap for PDW  
PDW用保護帽

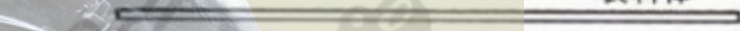
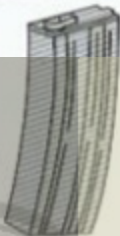


Charger  
裝料器

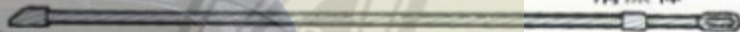


Charger rod  
裝料棒

Magazine of shooting  
300 rounds continuously  
300連射子彈倉



Cleaning rod  
清潔棒



## Necessary goods, which are not included in the complete set (goods not included) 配套以外的必要物品 (另購物品)

- 8.4V SD TYPE Mini Battery Pack  
8.4V SD 型迷你電池組



- Exclusive Charger for Mini Battery  
迷你電池的專用充電器



Use the specified battery for the gun, 8.4v, 600mah hyper command so type mini battery, avoid use of non-standard or other brand name batteries. Otherwise, the originally designed functions will not be obtained. The AK and Mini Batteries cannot be used.

對於該氣槍，請使用指定的電池8.4V 600mAh增強控制的SD型迷你電池。避免使用不標準的或其它品牌的電池。否則，將無法操作原設計的功能。不能使用AK或迷你電池。

**WARNING 警告** Do not use undesignated batteries made by other companies. In such case, it may press the barrel that reduces the speed of shot or lowers hit probability.

不能使用其他公司製造的非指定的電池。否則，將會擠壓槍管降低射擊速度或者降低命中率。

- Ni-cd Battery Discharger  
鎳鎘電池放電器



The battery's capacity power is increased with use of the Ni-cd battery Discharger (Sold separately)  
使用鎳鎘電池放電器可增強電池的電量。(另購)

Use the correct battery and charger according to respective instruction manuals. We will not be held responsible for any accident or damage caused by wrongful operation or usage of non-specified batteries.

根據各自的使用說明書正確地使用電池和充電器。如果因錯誤操作或使用非指定電池而引起的任何事故或受傷，我方概不負責。

Use the specified battery charger which is applicable to the above battery. The charger Exclusive Type. 使用指定的適用於上述電池的電池充電器。專用的電池充電器。

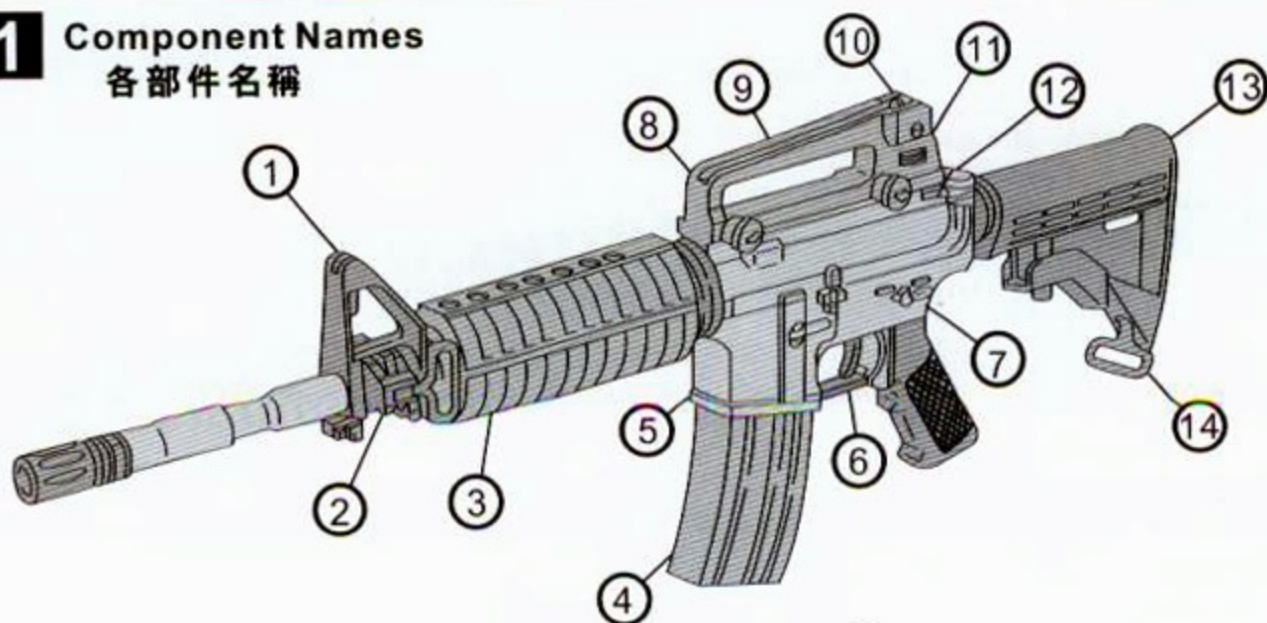
- The inner hexangular spanner used for M3 setscrews.  
M3定位螺絲用的內六角扳手 (1.5mm)



It can be used to lightly adjust while the gear wheel is joggling. Purchase it from the neighborhood dealer. It can also used to assemble the full auto tracer and the inner silencer.

用于齒輪啮合時的微調整。可到附近的便利店購買。也可以用于全自動追蹤器和內置式消音器的裝配使用。

# 1 Component Names 各部件名稱



No.	名稱	No.	名稱
①	Front Sight (Up-Down) 前準星 (上、下)	11P-5	⑬ Enhanced Butt Stock (Movable) 加強型槍托 (可拆裝)
②	Tactical Side Sling Adapter (Detachable) 戰術側邊背帶接頭 (可拆卸)	12P-6	⑭ Rear Swivel 后旋環
③	Handguards 護手柄	7.8P-4	⑮ Stock Release Lever 托柄解鎖手柄
④	68 round Magazine 68發彈盒	6P-3	⑯ Forward Assist Knob(Movable) 前協助旋鈕
⑤	Bolt Catch 螺栓製動片		⑰ Windage Dial(Left-Right) 游隙標盤 (左、右)
⑥	Trigger 板機	15P-8	⑱ Grip (With Eg1000 High Torque Motor) 把手 (帶有EG1000高扭矩馬達)
⑦	Selector Lever(Switch) 選速 (器) 杆 (開關)	5P-2	⑲ Trigger Guard(Movable) 板機保護裝置 (移動式)
⑧	Interface knobs 接口旋鈕	11P-6	⑳ Magazine Catch Button 彈盒製動按鈕
⑨	Clamp Bar 固定夾板	11P-6	㉑ Compensator 調整器
⑩	Rear Sight(Far-Near) 后準星 (遠、近)	9.10P-5	㉒ Carrying Handle 裝載把柄
⑪	Elevation Dial(Up,Down) 仰角標盤 (上、下)	10P-5	㉓ Fixing Ring 固定環
⑫	Charging Handle (Movable) 裝彈把柄 (移動式)	13P-7, 17P-9	⑳ Port Cover (Can be open) 槍口蓋 (可以打開)
			20P

**WARNING · CAUTION**

- Never operate the selector while pulling the trigger. Otherwise, malfunctions are possible, resulting in accidents.
- Pulling the trigger with the Selector being set to safe may damage the gun.

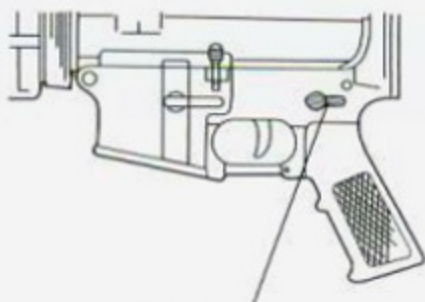
**2 Selector and Safety Setting (Always set the safety lever to SAFE until immediately before firing.)**

**選擇器及安全設置** (在即將射擊之前,請始終將安全杆設置在安全位置)

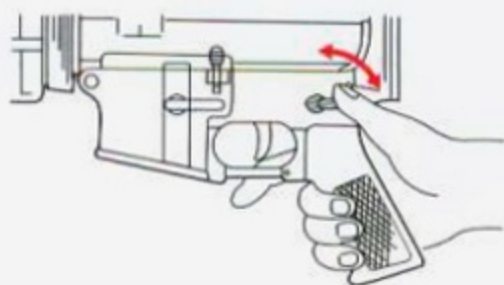


Set the selector correctly in position; otherwise, malfunction may occur.

將選擇器設置在正確位置, 否則將引起故障。



Selector  
選擇器



It can be operated even with one hand.  
即使單手也能操作。



UNIVERSO SNIPER

Safety switch ON  
Selector position  
安全開關  
選擇器位置

**SAFETY Setting** The trigger cannot be pulled.

安全設置: 不能扣動板機。  
When you are not firing the gun or during storage, Always set the selector to the Safe position and attach the protective cap.  
當你不開槍或存放該槍時, 請始終將選擇器設置在安全位置並系上保護帽。

Safety switch OFF  
Selector position  
安全開關  
選擇器位置



**SEMI AUTOMATIC (Single Shot)**  
半自動 (單發)

The gun will fire one shot each time the trigger is pulled.  
每次扣動板機將射出一發子彈。

Safety switch OFF  
Selector position  
安全開關  
選擇器位置



**FULLY AUTOMATIC (Automatic Firing)**  
全自動 (自動射擊)

The gun will fire automatically while the trigger remains pulled.  
按緊板機時, 該槍將自動射擊。

**警告和注意事項**

- 在扣動扳機時, 務必不要操作選擇器, 否則可能會造成故障, 導致事故。
- 選擇器設置在安全狀態時扣動扳機可能會對氣槍造成損壞。

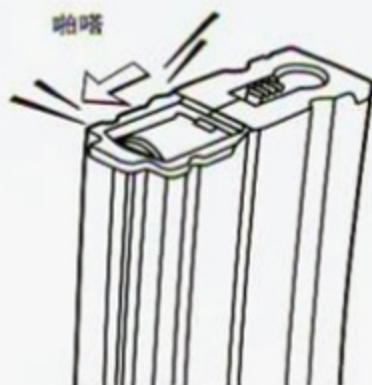
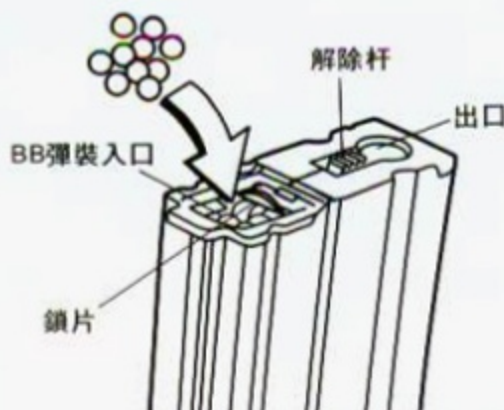
## WARNING.CAUTION

- Always use the BB Bullet for this air gun. We shall not be held responsible for any damage or accidents arising from the use of bullets supplied by other manufacturers.

### 3 Loading of the BB Bullets to the Magazing, and setting the Magazine.

#### 向彈匣裝填BB子彈，安裝彈匣

- 1 First, open the hatch at the top of the magazine and then load it with 80 BB bullets. (Never put into too many or too few bullets.)  
首先請將子彈匣頂部的艙口打開，裝入大約300發BB彈(請勿裝入過量或過少)
- 2 After shooting, please clean out all the bullets left in the barrel. Pull the removing lever to clean out all the bullets. (Do it twice for smooth operation) Shut the hatch until it snaps.  
關閉時會聽到BB彈艙口發出“啪嗒”一聲



- 3 Then face the loading hole for BB bullets upward and turn the gear at the bottom as per the arrow shown. While turning, it will squeak until it cracks, that's OK. (It's only idling when BB bullets are in sufficiently loaded.)
- 4 When the following circumstances occurs:  
出現以下情況時:

然後把BB彈裝入口朝上，底部齒輪按箭頭所示方向盡量旋轉，當聽到轉動的聲從“吱吱”聲轉到“喀喀喀”聲時表示已經OK。(如果BB彈裝入量過少時只能長空轉。)



Tap lightly.



※As illustrated, if it's terribly difficult to shoot the bullets, please clean out all the bullets in the magazine. And then spray the silicone oil (not included) into the magazine for 1 to 2 seconds. The wonderful hop-up system of the gun can turn it to the normal state after removing some unsteady factors in a short time.

如上圖所示發生嚴重出彈困難的情況時，請把彈匣內的全部子彈倒出清空，然後使用另外購買的圓形硅油噴霧器朝彈匣裏面噴射1、2秒時間即可。但槍體本身合理的立體設計可以在時間內排除某些不安定因素從而恢復正常狀態。

#### ● Installation

Make sure to set the magazine upwards and connect it firmly until a click sound is heard.

#### ● 安裝

確保彈匣朝上安裝，並牢固連接，直到聽到一聲“喀嗒”聲。



**CAUTION** Confirm that the safety lever is set to the safety position and don't place your finger on the trigger.

**注意事項** 確保保險杆設置在安全位置，並不要將手指放在扳機上。

#### ● Removing the magazine

Press the magazine release to remove the magazine. (Support the magazine as it may drop.) **After Operation** (Refer to 14P)

#### ● 取下彈匣

按下彈匣釋放杆取下彈匣。(由于彈匣可能會掉下來，所以要扶住彈匣。)



#### 警告和注意事項

- 本氣槍應始終使用供銷商的BB子彈。
- 對因使用其他生產商提供的子彈造成的損害或事故，我們將不負責任。

UNIVERSO SNIPER AIRSOFT

**WARNING-CAUTION**

- Always attach the protective cap and disconnect the magazine to avoid sudden operation upon connecting the connector to the battery.



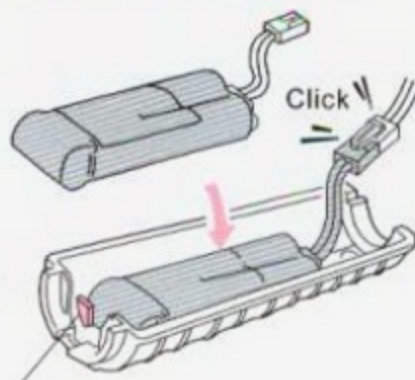
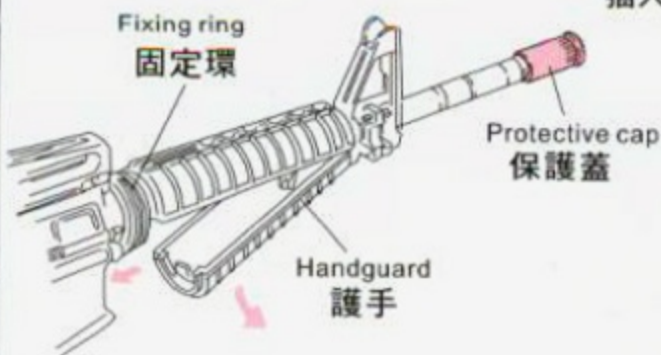
## 4 Setting the Battery (Conduct operation hereafter after charging the battery.)

**CAUTION** The magazine is done under the condition that it is removed.

**安裝電池** (電池充電之后進行操作。)

**注意事項** 彈匣在其取下的情況下是妥當的。

- ① Pull the fixing back and remove the fore grip from the rear.  
拉動固定底座  
並從后部卸下前把手。
- ② Insert the battery inside the battery guide in the fore grip as shown and connect connectors.  
如圖所示在前把手的電池導軌內  
插入電池，並連接上連接器。



- ③ Store the connector in the space above the grip.  
將連接器存放于把手以上的空間。



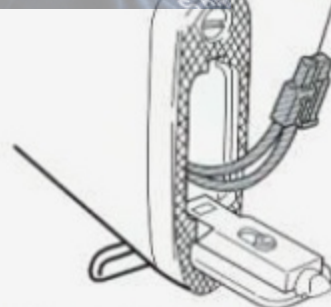
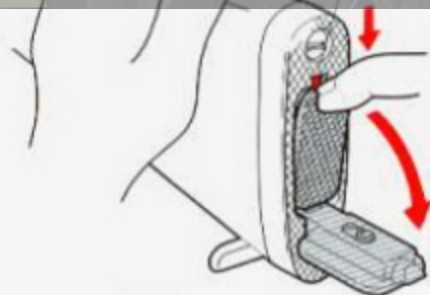
Press with your fingers.  
用手指按壓

Lower the butt plate nail and open the cover.  
按下槍托底板的固定釘以打開電池蓋。

Pull out the connector. (Do not pull out the fuse box.)  
拉出連接器。(不要取出保險絲盒。)

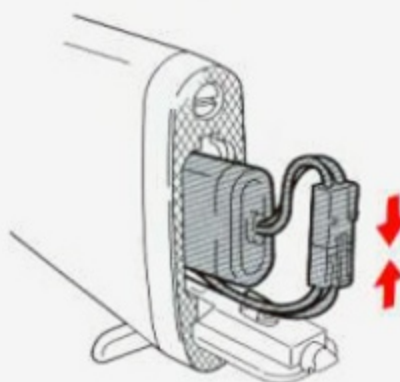
Plunger  
推針杆

Connector  
連接器



Insert the battery in the stock and connect the connector.  
將電池裝入槍托裡並接上連接器。

Set the connector with the projection facing outwards and close the cover.  
使連接器和突出部件面向上並關上電池蓋。



**警告和注意事項**

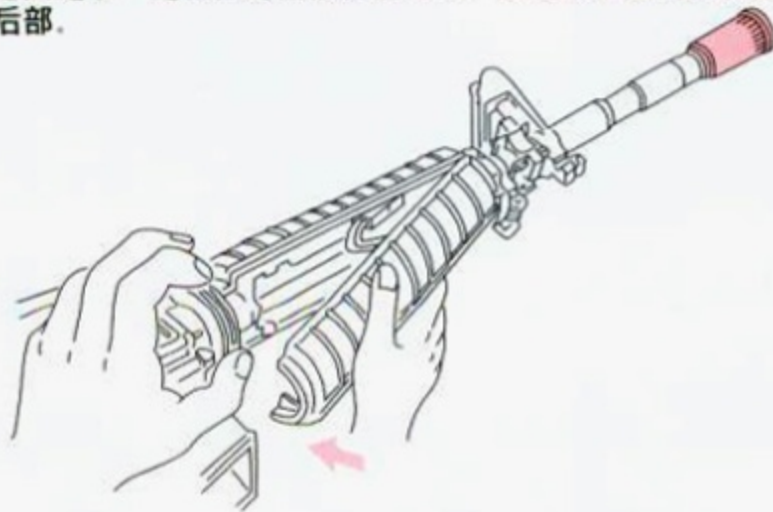
- 請始終蓋上保護蓋，並且在將連接器連接于電池上時應切斷彈盒的連接以防發生意外。

**CAUTION 注意** Be careful so as not to catch your fingers in the movable parts.  
● 小心不要被可拆卸配件夾到手指。

### WARNING CAUTION

- Do not force Fore grip into place. It may the handle

- ④ Press in the front of fore grip while securing the battery in position, pull the fixing ring back and set the rear of fore grip.  
在將電池固定于一定位置時請按壓前把手，拉動固定環底座並設置前把手的後部。

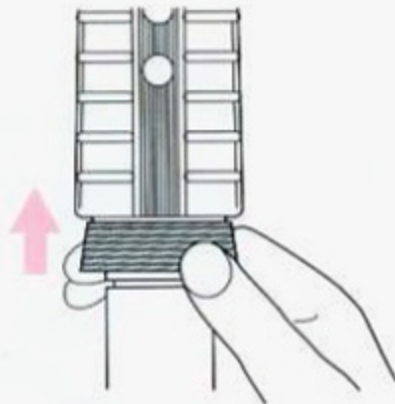


### When the fore grip doesn't fit correctly. 當前把手安裝不正確時

- Be sure to position the connector in the position shown. (Position on the left hand side of the upper half area.)  
請確保將連接器置于圖中所示的位置。(上半部的左手側位置)
- If connectors and/or cords are positioned above the battery. The fore grip cannot be set in position.  
如果連接器和/或纜線位于電池以上的位置，前把手將無法設置在相應的位置。



- Push the fixing ring forward (It may be stiff for preventing the hand guard unsteady).  
向前推動固定環(可能比較費勁以防護手柄不穩定)。



### 警告和注意事項

- 不要強行將前把手放置于一定位置。

UNIVERSO SNIPER  
AIRSOFT



**WARNING CAUTION**

- Be sure not to lose the adjustment tool.
- The front sight will come off if turned too much.

# 5 Setting the Open Sight 設置瞄準具

**Front Sight Setting the bullet hitting point.**  
Cover the front sight with the adjustment tool and turn.  
前準星設置子彈打擊點。  
利用調節工具蓋住前準星並轉動。

Turning counterclockwise:  
Lowers the bullet hitting point.  
向左轉的話著彈點下降

Calibrating tools  
校準工具

Turning clockwise:  
Raises the bullet hitting point.  
向右轉的話著彈點提高



UNIVERSO SNIPER AIRSOFT

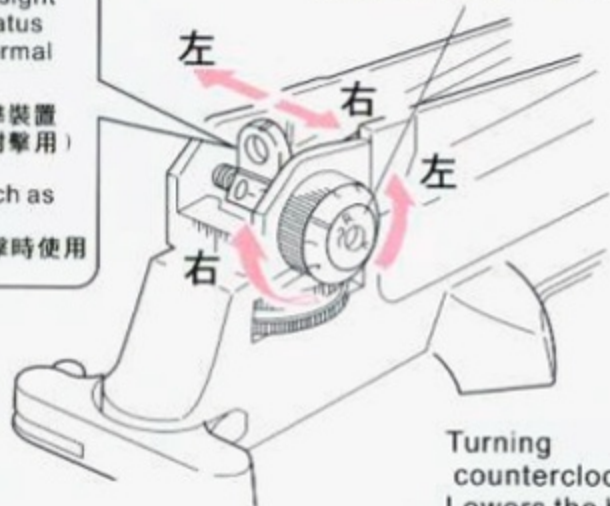
## Rear Sight 1 For left-right adjustment.

Turning the windage adjustment dial will move the bullet hitting point to the left or right.

后準星 1，進行左右調節  
轉動游標調節機盤將使子彈打擊點左右轉動



Wind force adjustments (right and left) dial  
風力調整（左、右）刻度盤



Turning clockwise:  
Raises the bullet hitting point.  
向右旋轉的話著彈點向右

Turning counterclockwise:  
Lowers the bullet hitting point.  
向左旋轉的話著彈點向左

### 警告和注意事項

- 請確信不要遺失調節工具。
- 如果轉動的太多前準星可能脫落。

**WARNING-CAUTION**

● CARBINE rear sight is designed as close to the real thing as possible. But, of course, the ranging will differ from the actual CARBINE. Please refer to 15P 7 (Firing) and 17 P 8 (Variable hop up system) for directions. The explanation is for the actual W4-1 CARBINE rear sight. Use for air gun will vary.

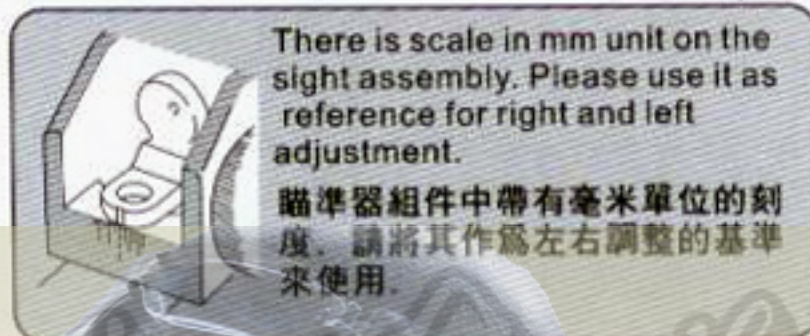
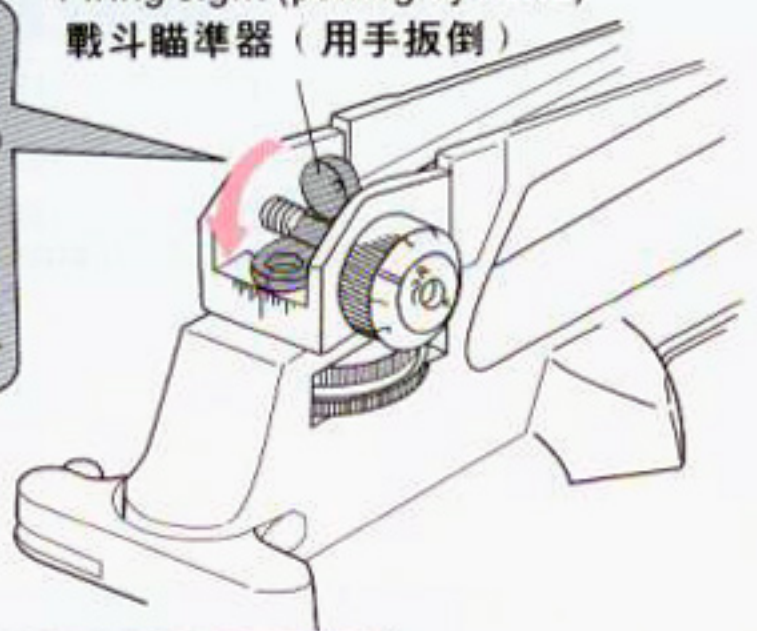
**Rear Sight 2. For precision targeting.**

The sight assembly is marked in millimeters for easy use.  
后準星 2 精確對準。

準星的裝備是以英裡標注的，以方便使用。



Firing sight (pulling by hand)  
戰鬥瞄準器 (用手扳倒)



**Rear Sight 3. For up-down adjustment.**

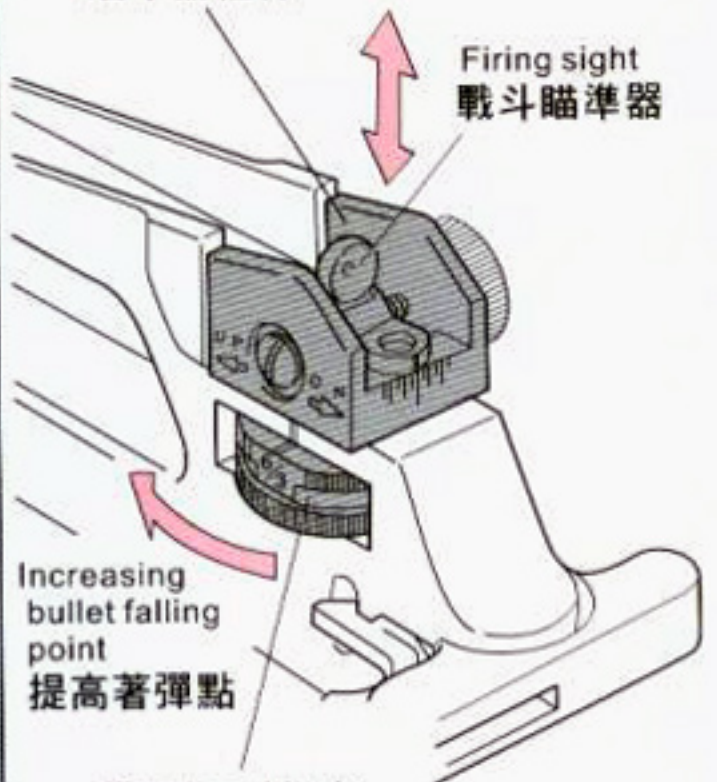
Turning the windage adjustment dial will move the bullet hitting point to the left or right.

后準星 3 進行上下調節。  
轉動游隙調節標盤將使子彈打擊點左右移動。



Sight assembly  
瞄準器組件

Firing sight  
戰鬥瞄準器



Turn the altitude-angle dial for two rounds.  
仰角刻度盤轉2圈。

**警告和注意事項**

● 短管卡賓槍后準星的设计盡可能靠近真正的實物當然，範圍與實際的短管卡賓槍是不同的。

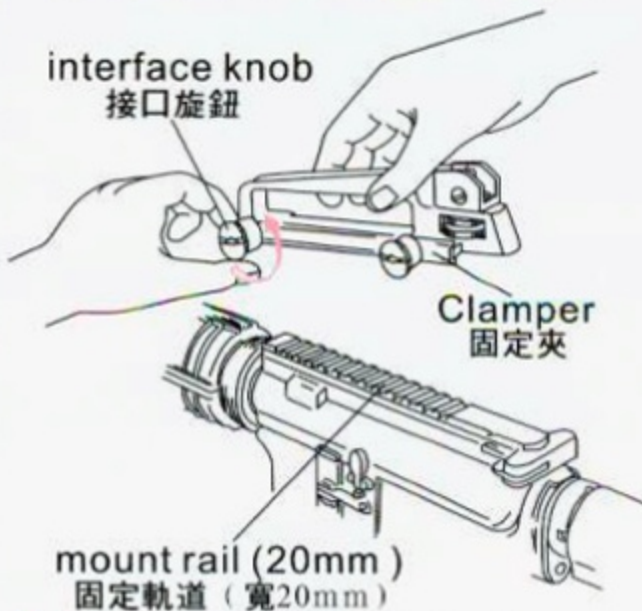
請參考第15頁-7 [射擊] 和第17頁-8 [多變的上跳系統]。其中的解釋是針對真正的短管卡賓槍后準星的。氣槍的使用將有所不同。

## WARNING-CAUTION

- Make sure the Interface Knob on the Carrying Handle is secured to ensure it can't drop off the gun.

## 6 Using the Carrying Handle and Tactical Side Sling Adapter

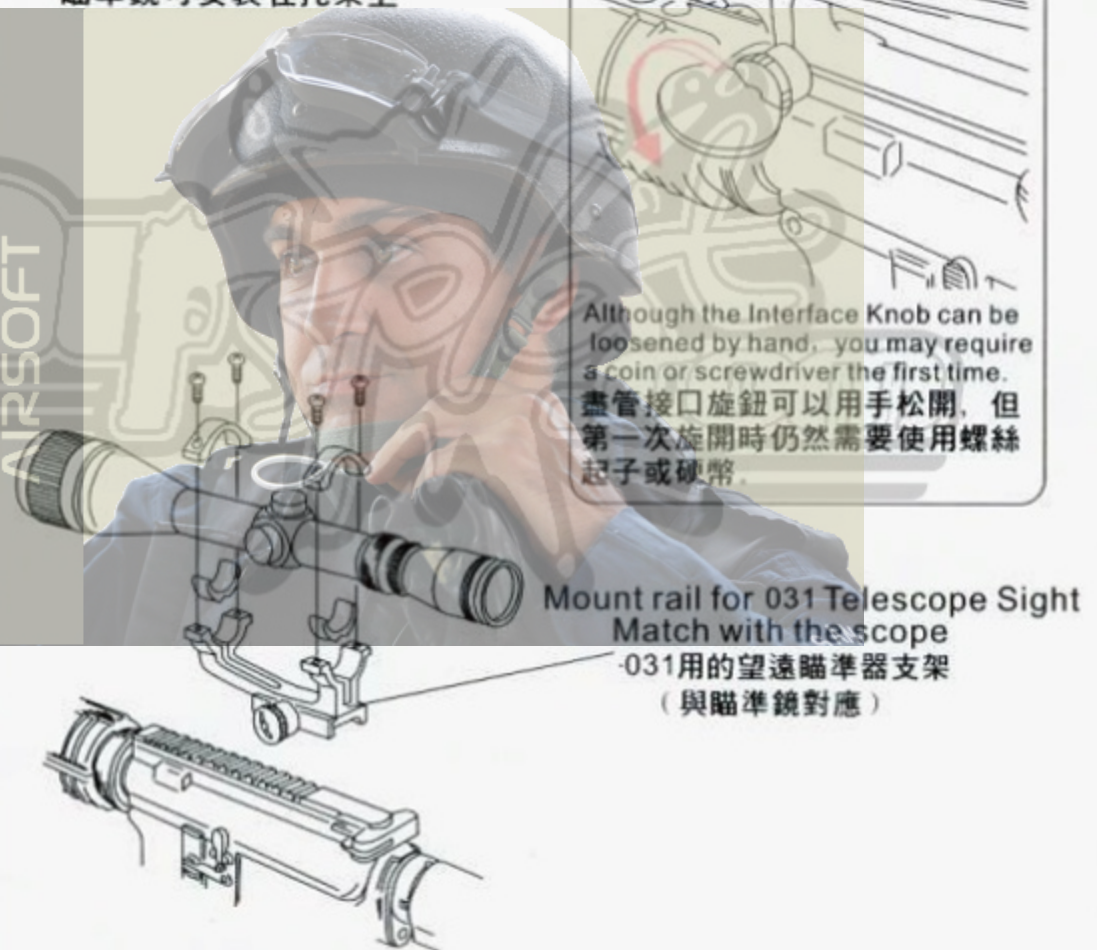
### 使用提把及戰術側邊背帶接頭



- Scopes can be attached to the Mount rail.  
瞄準鏡可安裝在托架上



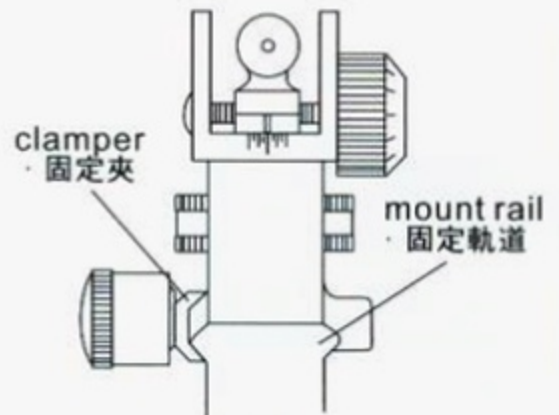
UNIVERSO SNIPER  
AIRSOFT



- Removal One-point  
可拆卸的一點

Put the fixed right side in place first on an angle before pushing down on the left side.

首先將準備好的右側放置于正確的角度，再拉下左側。



## 警告和注意事項

- 確保提把上的接口旋鈕是牢固的以保證它不會從槍上掉下來。

**WARNING-CAUTION**

- Tools will be necessary



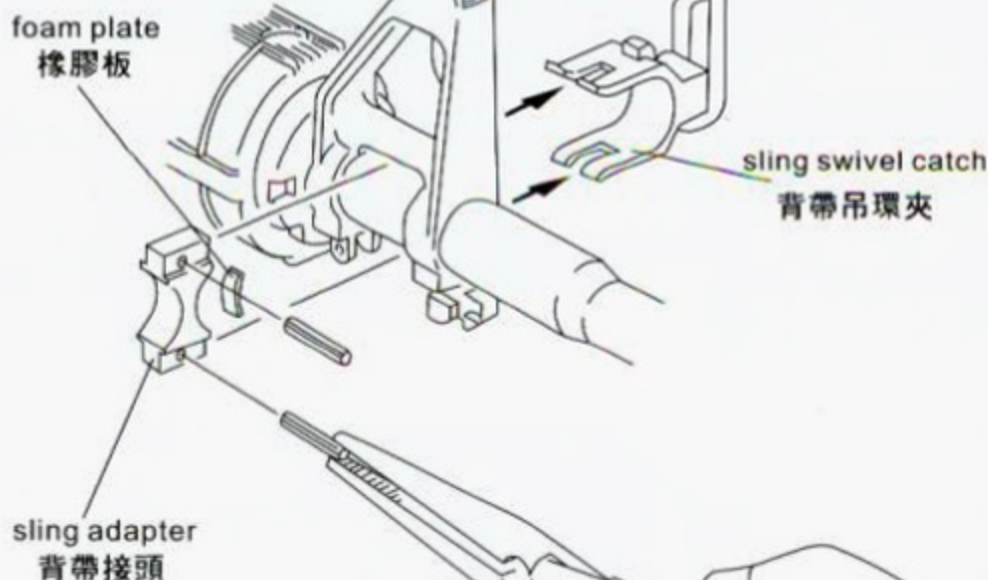
鉗子  
radio pinchers

- When using a tool, please watch your hand.
- Don't disassemble beyond what is necessary. Or the gun may be damaged.

- Tactical Side Sling Adapter

戰術側邊背帶接頭

It is separate to enable left or right assembly. Pulling a pin out, 分開左右兩邊安裝。拔出插銷。



Pull out the lock pin from the sling adapter with pinchers.

使用鉗子將固定插銷從吊環夾中拔出。

Install a AGM series.

安裝 AGM 系列

- The Tactical Side Sling Adapter is designed to fit all of the AGM Series Guns.

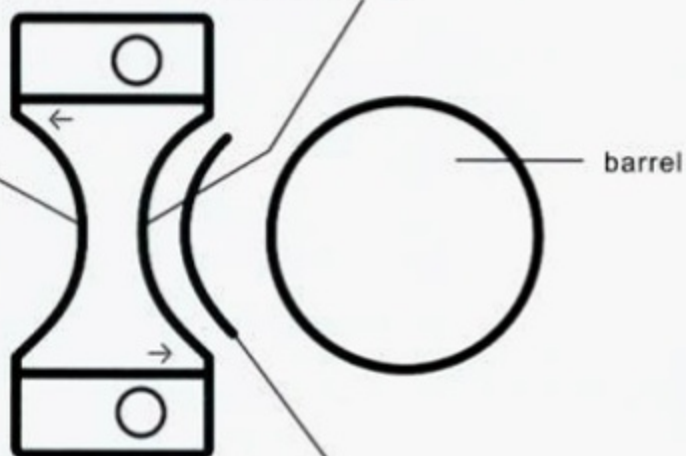
戰術側邊背帶接頭的設計適合所有W16系列的槍。

AGM

AGM

有較大的槍管。

有較小槍管。



**警告和注意事項**

- 需要使用工具。
- 使用工具時，請注意你的手。
- 如非必要，不可任意拆卸，以免損壞槍。

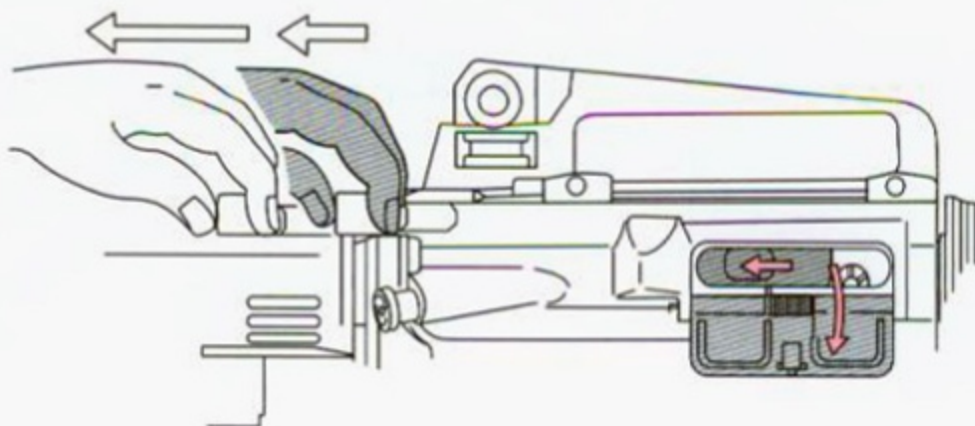
## WARNING. CAUTION

- Be careful not to catch your finger in the dummy bolt as it will close quickly when the charging handle is released.
- When closing the port cover, make sure the charging handle has returned fully into position, otherwise the port cover will not close.



## 6 Movable Parts 可拆卸部件

- Pulling the charging handle will expose the hop up adjustment dial in the port cover.  
拉動裝彈把柄將會使上跳調節標盤在槍口蓋處暴露出來。



UNIVERSO SNIPER

AIRSOFT

Simulated bullet  
模擬子彈粒

Hop-up adjustment dial  
Hop-up調整刻度盤

## 警告和注意事項

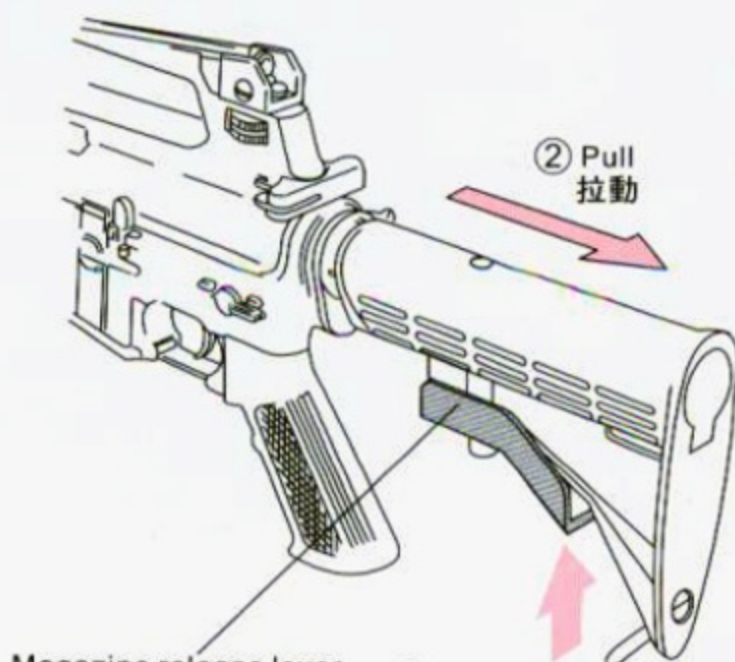
- 小心不要使您的手指碰到人形槍栓，因為當裝彈把柄釋放時該槍栓將快速閉合。
- 當閉合槍口蓋時，請確信裝彈把柄已經完全恢復位置，否則槍口蓋將閉合。

- Forward assist knob can be pushed.  
可以推動前協助旋鈕。

- Pulling the charging handle opens the port cover.  
拉動裝彈把柄將使槍口蓋打開。  
※ The port cover must be closed manually.  
※ 槍口蓋必須手動閉合

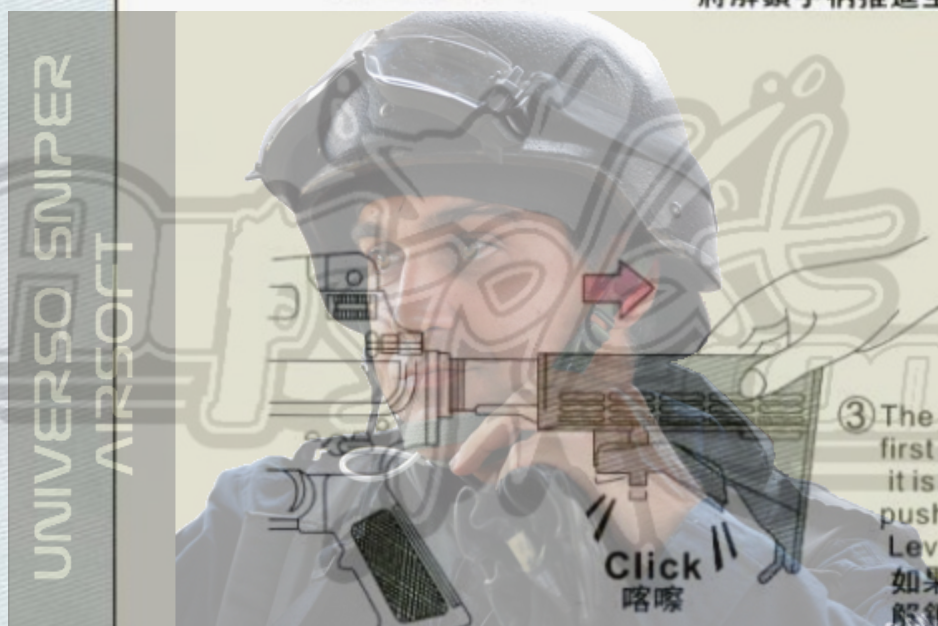
- Trigger guard can be opened and closed. (Used when you wear gloves in winter.) Open with a pin like object.  
板機保護裝置可以被打開或關閉。  
(當您冬天戴手套時可以用到)。  
利用一個類似釘銷的工具可以將其打開。

● Retractable Stock  
縮進式托柄



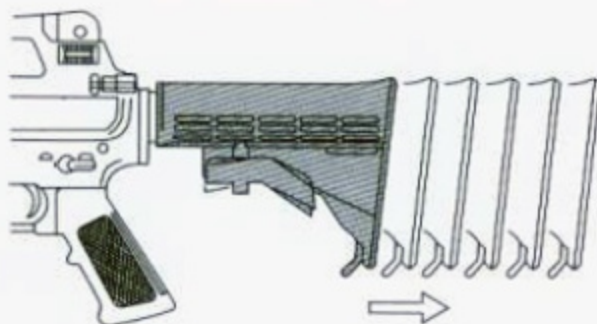
Magazine release lever  
彈匣脫扣裝置

① Push the Release Lever to unlock.  
將解鎖手柄推進至非鎖定狀態。



③ The stock will stop at the first position (690mm) if it is pulled without pushing in the Release Lever.  
如果拉動時未推動解鎖手柄托柄將停留在第一位置

警告和注意事項



● Adjust length of 6 position.  
調節位置6處的長度。

※ Adjust to the most comfortable position.

※ 調節至最舒適的位置。

**WARNING.CAUTION**

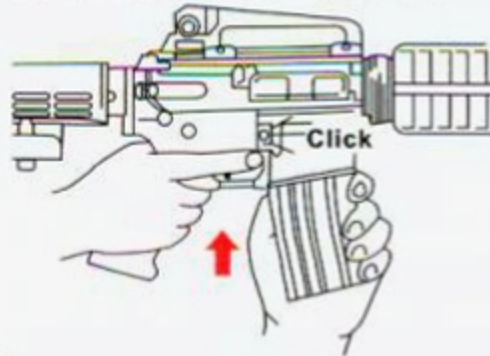
- There are possible cases that no firing occurs after pulling the trigger in the semi auto mode. In this case, do not pull the trigger furiously. Fire 5 to 6 shots in the full auto mode and then return to the semi auto operation.

# 7 FIRING (confirm safety sufficiently before beginning firing)

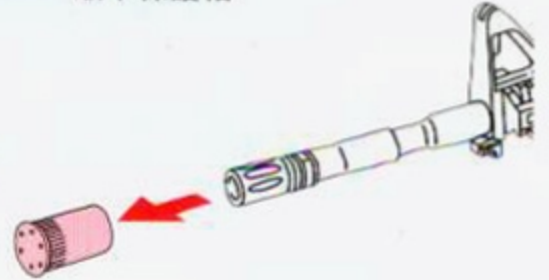
## 射擊 (射擊前要充分確保安全)

**CAUTION** Load the magazine charging the bullets, referring to "3 Setting the magazine"  
有關安裝彈匣，裝填子彈事宜，參閱“3 安裝彈匣”

- ① Make sure to set the magazine upwards and connect it firmly until a click sound is heard.  
確保彈匣朝上安裝，並牢固連接，直到聽到一聲“喀噠”聲。



- ② Remove the protective cap.  
取下保護帽



- ③ Set the selector lever to Semi or Full Auto.  
將選擇器控制杆設置在半自動或全自動位置。

**CAUTION** ● Make sure to attach the protective plug to the gun muzzle, except when you are shooting, for preventing accidental sudden discharge and for the dust-proof purpose. (Never pull the trigger with the protective plug being attached.)

● Activating the trigger carelessly is extremely dangerous. Never put your finger onto the trigger unless the protective plug is removed and you are ready to shoot a target.

不注意地活動扳機是非常危險的。除非是取下保護帽並準備射擊目標時，否則切勿將手指放在扳機上。

**注意** 除非你要射擊，否則請確保在槍口上套上保護帽，以防止意外地或突然地開槍，並有防塵作用。(當系上保護帽時，切勿扣動扳機。)

UNIVERSO SNIPER



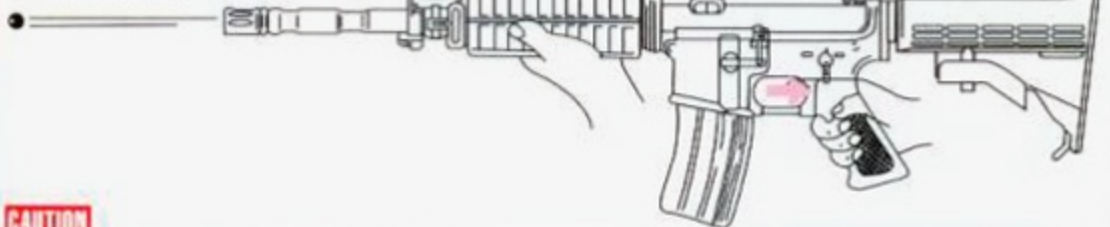
Read it before you shoot.  
射擊前必讀

**⊘** Never aim the gun at people or animals.  
禁止把槍口對著人或動物。

**⊘** Never shoot in the place where there are crowded people and heavy traffic or something explosive and flammable.  
禁止在人多車雜的地方或易爆易燃的地方進行射擊。

**⊘** Shooters must pay attention to the surrounding environment and put on goggles while do the shooting.  
射擊者務必留意周圍環境並且必須帶著護眼鏡進行活動。

- ④ Pull the trigger.  
扣動扳機。



**CAUTION** ● Activating the trigger carelessly is extremely dangerous. Never put your finger onto the trigger unless the protective plug is removed and you are ready to shoot a target.  
● A blank firing may occur at triggering after setting the magazine, this is the normal operation of the gun.

**注意** ● 不注意地活動扳機是非常危險的。除非是取下安全帽並準備射擊目標時，否則切勿將手指放在扳機上。

● 裝上子彈盒后可能觸發空彈發射。這屬於該槍的正常操作。

**警告和注意事項**

- 在半自動模式下，可能會發生扣動扳機后不射擊的情況。在這種情況下，不要猛烈地扣動扳機。在全自動模式下發射5至6發子彈，然後返回半自動操作。

Smell may be generated from the motor for a while when a new air gun is operated, this is the normal operation of the gun.



- The hopping up operation may be unstable for 200 to 300 rounds after using silicone oil, this is the normal operation of the gun.

- Always disconnect the battery and attach the protective cap whenever you do not operate the air gun. Bullets may remain in the chamber even if the magazine contains no bullets (or if the magazine is not connected).

### 操作之后

- 取下彈匣，將彈匣朝向一個安全的方向，在半自動模式下對氣槍進行空槍射擊。（否則，彈簧可能會變弱）。將選擇器設置到安全位置。
- 無論何時不操作氣槍時，請始終斷開電池，蓋上保護帽。即使彈匣裡沒有子彈（或沒有連接彈匣），子彈仍可留在槍膛裡。

### CAUTION

- Make sure no dirt gets into the chamber to avoid clogging of bullets.

### 警告：

- 確保無灰塵進入槍膛，以避免子彈堵塞。

### Cautions on Motor and Battery

- Charge the battery if the firing cycle becomes slow.
- Give the air gun a rest for 5 to 10 minutes after firing about 500 rounds, in order to ensure long service lives of the motor and battery.

### 電機和電池注意事項

- 如果射擊周期變慢，請為電池充電。
- 在射擊約500發子彈后，請將氣槍休息5至10分鐘，以保證電機和電池的長使用壽命。

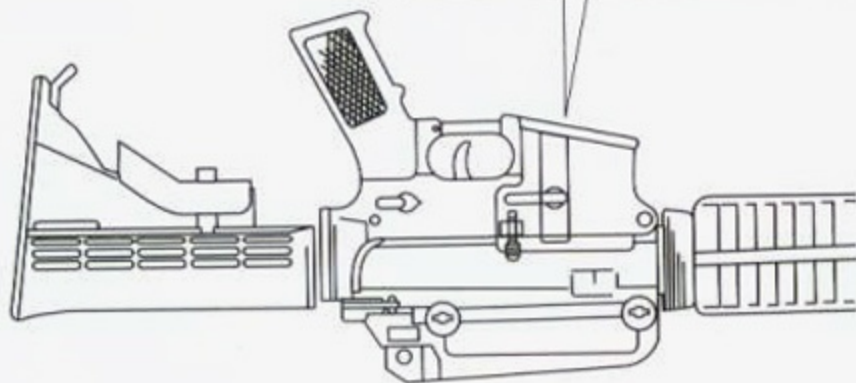
### When Bullets Are clogged

- If bullets are clogged, remove them (refer to 23P02) and apply a few drops of silicone oil into the chamber from the magazine entrance as shown or spray silicone oil for 0.5 to 1 second, to obtain smooth continuous firing.

### 當子彈堵塞時

- 如果子彈堵塞，則將子彈取出來（參閱23頁9.2），從所示的彈匣入口向槍膛裡注入幾滴硅油或噴洒硅油0.5至1秒，以實現流暢連續射擊。

UNIVERSO SNIPER AIRSOFT



### 警告和注意事項

- 操作一支新氣槍時，電機可能會暫時發出氣味。這是氣槍的正常操作。
- 由于使用硅油，200發至300發的上旋（hop up）操作可能會不穩定。

**CAUTION** Never use CRC-556 or other mineral oil.

**Always attach the protective cap during storage.**

注意事項：務必不要使用CRC-556和其它礦物油。

在儲藏期間，要始終蓋上保護帽。



## WARNING · CAUTION

- Be careful not to catch your fingers in the dummy bolt.



- If the hop-up is adjusted excessively causing clogging of bullets, immediately stop operating the gun, return the dial to Normal, fire 2 or 3 shots and readjust.

## 8 Variable Hop Up System 可變上旋系統

By producing a back-spin on the BB bullets, this system allows for straighter and longer distances shooting than normal air guns. Unlike the fixed type, the variable hop up system permits one-touch adjustments using the dial and lever, making it an ideal hop up system.

通過在BB子彈上製作一個反螺旋，本系統可實現比正常氣槍更直、更遠的射擊距離。不像其他固定型，可變上旋系統允許使用刻度盤和調節杆進行單鍵調節，使之成為理想的上旋系統。

### CAUTION

- Moving the lever too much towards Hop causes bullets to clog. Keep pulling the trigger with bullets being clogged damages the piston and gears.
- If bullet clogging occurs, immediately stop firing the gun, return the hop adjustment lever to the Normal position and remove clogging bullets using the cleaning rod.
- Never use used and dirty bullets. (Otherwise, the chamber becomes dirty, resulting in instable hopping up.)

### 注意事項：

- 將調節杆向上旋移動太多會造成子彈堵塞。由於堵塞的子彈會對損害活塞和齒輪，因此保持扣發扳機。
- 如果發生子彈堵塞，則立即停止氣槍射擊，將上旋調節杆返回到正常位置，使用通槍條取出堵塞的子彈。
- 務必不要使用已用過的不干淨子彈。（否則槍膛會變得不干淨，並導致上旋不穩定。）

▶ Adjustment Procedure (Adjust by carrying out trial firing, referring to 12 on page 12P of the instruction manual.)

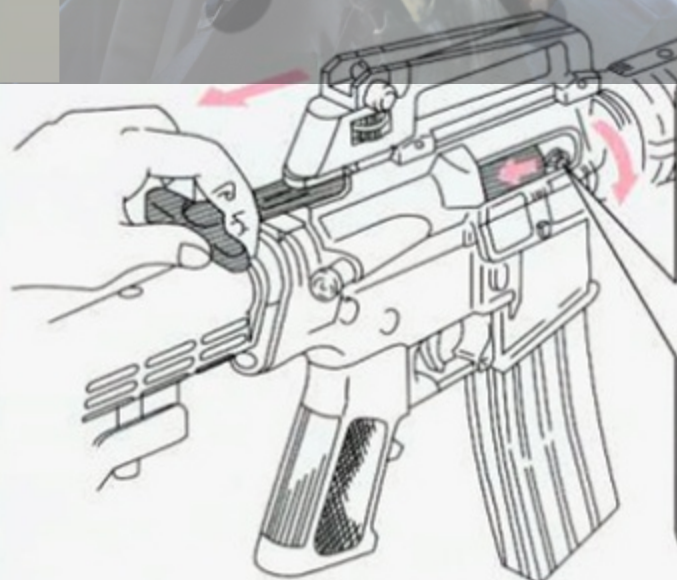
- Keep pulling the charging handle while adjusting the lever.
- Turning excessively adversely affects the trajectory. So, stop turning the hop adjustment lever when bullets fly horizontally.
- The hop up dial can only be turned a certain amount. Turning it too much will damage it.

調節程序（通過進行試射進行調節，參閱說明書第12頁中的8）

- 在調節調節杆時，保持拉動拉機柄。
- 逆方向過度調節會影響彈道，因此，當子彈水平飛出時，停止調節上旋調節杆。
- 上旋刻度盤只能旋轉一定數字，旋轉太多將對刻度盤造成損壞。

UNIVERSO SNIPER

AIRSOFT



Dial for adjustment  
調整用刻度盤

Sliding  
滑動



Make sure absolutely no waste or dust gets into the adjusting dial

注意絕對不要讓垃圾、塵埃等進入調整刻度盤內。

## 警告和注意事項

- 請小心不要使您的手指碰到人形槍栓。
- 如果由于過度調節上跳而導致子彈堵塞，請立即停止操作，並將標度盤恢復至正常位置，射擊2發或3發后重新進行調節。

**WARNING** Don't let go of the charging handle when adjusting the hop up.

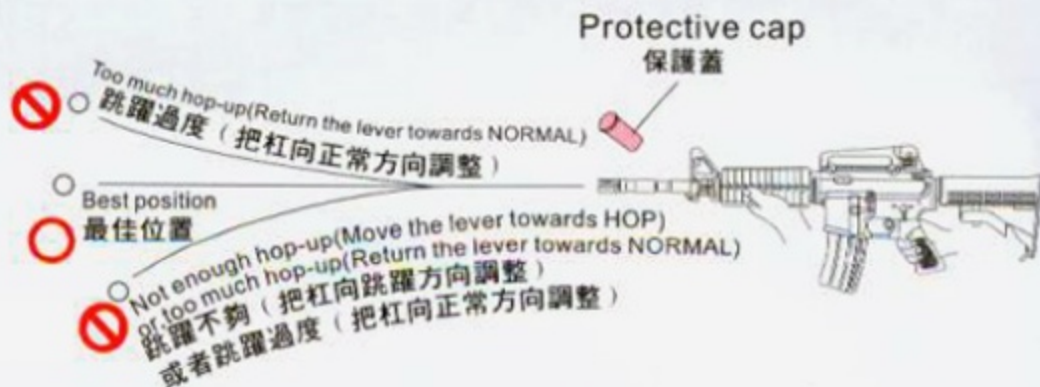
**警告：** 當對上旋進行調節時請不要操作裝彈把柄。

## WARNING · CAUTION

- Since a precision tight barrel is used, use of dirty bullets or those with burrs causes clogging of bullets and possible fatal damage to the mechanical box and system.
- Never hold the gun sideways as the BB bullets will curve right or left. This is due to the HOP-UP system.



- The best position is where the bullets fly horizontally, and the longest flying distance is obtained.
- 最佳位置是子彈水平飛行的位置，並且可以獲得最長的飛行距離。



### Operational Cautions (Strictly observe the following cautions.)

- Make sure to return the hop adjustment lever to the Normal position when removing clogged bullets or cleaning. (Otherwise, the chamber packing is damaged.)
- When about 10,000 rounds are fired, spray silicone oil to the chamber for 0.5 to 1 sec. (refer to 19P The hopping up operation may be instable for 200 to 300 rounds after spraying the silicone oil, which is not a problem.)
- We shall not be responsible for any damage or accidents arising from wrong operation, disassembly and modification of the air gun. Any costs for repair of such damage shall be paid by the user.

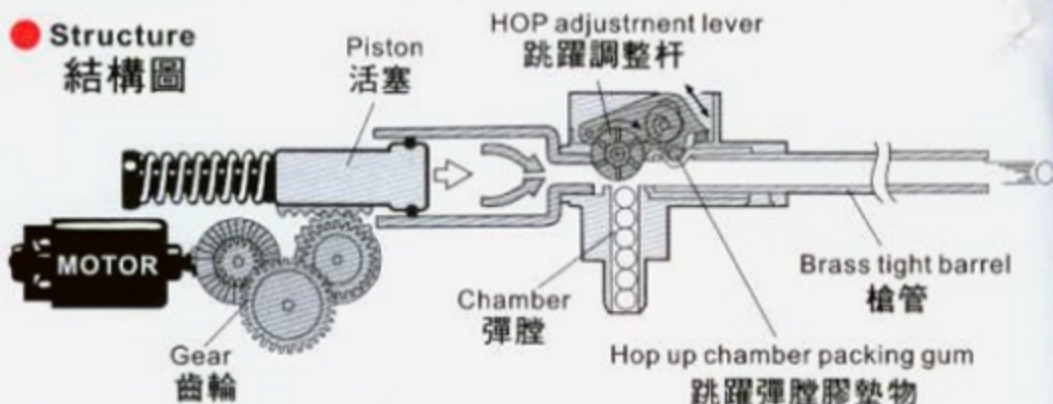
### 操作警告：(嚴格遵守下列警告)

- 當卸下堵塞子彈或進行清潔時請確信將跳動調節標盤恢復至正常位置。(否則彈腔包裝可能被損壞。)
- 當射擊完10,000發子彈后，噴洒0.5-1秒的硅油于腔室內。(請參考第20頁，在噴洒硅油后上旋操作可能導致200-300發子彈不穩定，但這屬於正常現象。)
- 我們將不對由于任何對氣槍的錯誤操作，拆卸和更改導致的任何損害或事故負責。由于上述損壞而發生的任何修理費用將由用戶自行承擔。

### 警告和注意事項

- 由于采用的是精確緊箍槍管，采用有灰塵的子彈或那些帶有粘附物的子彈將可能導致子彈堵塞，並可能對機械盒和系統造成致命損壞。
- 永遠不要側向一邊放置氣槍，因此BB子彈將向左或向右發生彎向。這是由于上旋系統的緣故。

### Structure 結構圖



## When Hopping Up is improper

Symptom	Cause	Action
Bullets flying upwards	Too much hop setting	Gradually return adjustment lever towards Normal.
Short flying distance of bullets (less hopping up effect)	Too much hop setting	Gradually return adjustment lever towards Normal.
	Hop packing contaminated by oil or dirt	Fire bullets equivalent to 4 to 5 magazines or clean the chamber using cleaning rod.
	Worn or damaged hop packing	Purchase the replacement part at your dealer or from and replace it.
Cannot adjust	Damaged adjustment lever or other parts	Purchase the replacement part at your dealer or from and replace it.
Frequent bullet clogging	Too much hop setting	Gradually return adjustment lever towards Normal.
	Improper or too large sized BB bullets	Use the BB Bullet supplied by .
	Dirty hop packing	Clean using the cleaning rod or consult your dealer or for repair.

## 當上跳不正確時

症狀	原因	採取的措施
子彈向下飛行	上旋設置過度	緩慢地將調節標盤恢復至標準位置
子彈的飛行距離較短 (上旋效果弱)	上旋設置過度	緩慢地將調節標盤恢復至標準位置
	油污污染了跳動包裝裝置	射擊4-5彈盒子彈或利用通條清潔腔室。
	跳動包裝裝置磨損或損壞	向您的經銷商購買替換部件並進行替換。
無法調節	調節標盤或其它部件損壞	向您的經銷商購買替換部件並進行替換。
子彈經常發生堵塞	上旋設置過度	緩慢地將調節標盤恢復至標準位置
	BB子彈尺寸不合適或過大	使用經銷商提供的BB子彈
	跳動包裝裝置有灰塵	利用通條進行清潔或向您的經銷商進行諮詢以便修理。

**CAUTION** Please refer to it only for installation of separately-purchased full-auto flame tracer and night muffler.

注意：只有在安裝另外購買的全自動曳光彈、夜間型消音器時，請進行參考。

● Full-auto flame tracer

● 全自動曳光彈

● 0.20g BB illuminating bullet 600 rounds

● 0.20g發光BB彈600發

① Loosen the fixed screw on suppressor with hexagon spanner (1.5mm) special for M3 fixed screw. Hexagon spanner special for M3 fixed screw (1.5mm) will loosen the fixed screw on the suppressor.



② Remove the suppressor. 取下抑制器。



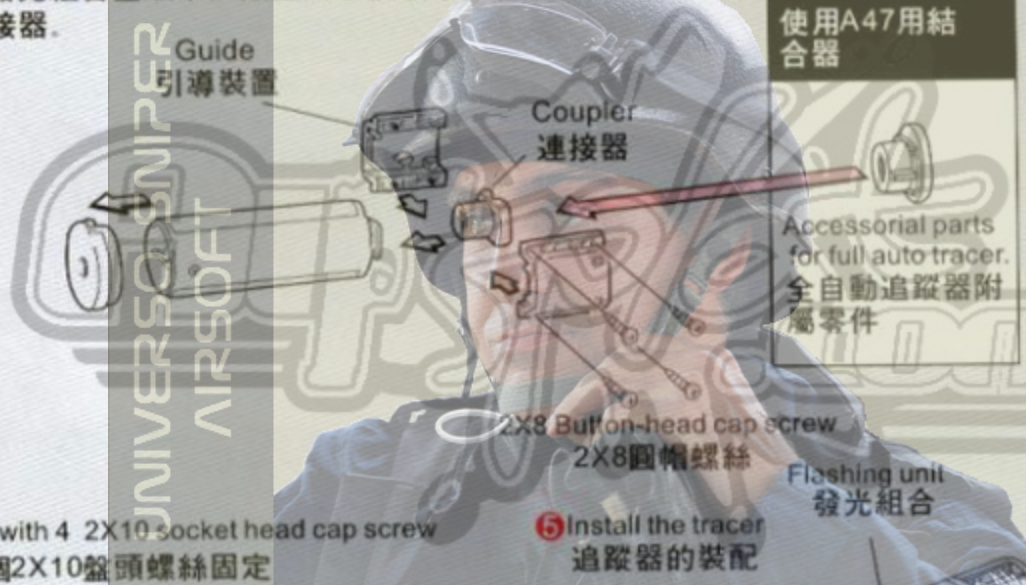
● Installation method of full-auto flame tracer (BB bullet illuminating apparatus) adapter

● 全自動曳光彈 (BB彈發光裝置) 适配器的安裝方法

③ Remove the cover of the flashing unit and then screw the ① guide and ② coupler as illustrated.

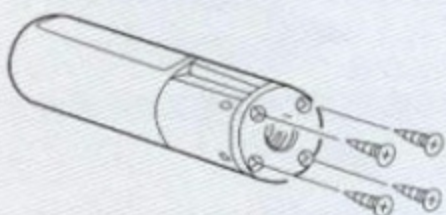
先把發光組合蓋取下，如圖所示按順序鎖上螺絲①引導裝置

②連接器。



④ Fix it with 4 2X10 socket head cap screw 用4個2X10盤頭螺絲固定

⑤ Install the tracer 追蹤器的裝配

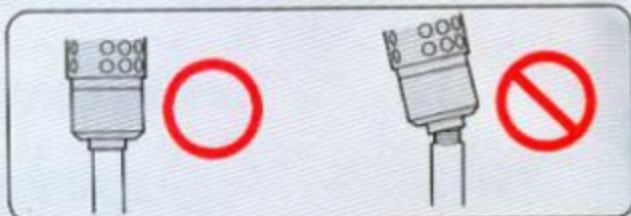


Flashing unit cover 發光組合蓋  
Outer case(short) 外盒 (短的)

Pay attention to turn the screw inversely. 注意逆轉螺絲

● How to operate the built-in silencer 內置式消音器的使用操作方法

Exclusive silencer(built-in type) 專用消音器 (內置式)



Warning! If you don't turn the screw horizontally, it may damage the screw thread.

警告！轉動螺絲時如果不按水平位置操作，可能會導致螺紋被壓扁壓壞。

Notice! Please pay attention that the screw is easy to be bent while turn it inversely.

注意！在逆轉螺絲時有時會出現螺絲容易彎曲的現象，請注意。Besides, please screw down with proper force. If you do it with excessive force, you may damage the screw.

另外，裝螺絲時請注意力度適中，如用力過度會使螺絲破損變形。If the tracer and the silencer are off the axis while installing, it may damage the BB bullets while shooting.

如果追蹤器和消音器的軸線在安裝時偏離，會導致BB彈在發射時容易破損。

## WARNING · CAUTION

- Attach or detach the upper receiver with the magazine being removed. Otherwise, bullets remaining in the magazine may jump out in to the receiver, causing malfunctions.
- After removing the magazine, Fire the rifle in semi-automatic once to move the piston forward for easy disassembly. After firing the single shot.
- Remove the battery for safety reasons.

# 9 Normal Disassembly for Overhaul (Take down) and Maintenance Procedures 檢修和維修時的正常拆卸

**CAUTION** After removing the magazine, Fire the rifle in semi-automatic once to move the piston forward for easy disassembly.

注意：在卸下彈盒后，立即開動半自動步槍使活塞向前移動以方便拆卸。

- ② Dry fire the gun in semi-auto mode.  
在半自動狀態下空發。

③ Set the selector to SAFE place.  
將選擇器設定為SAFE（安全）位置。

- ④ Attach the protective cap.  
裝上保護罩。

⑤ Remove the storage battery.  
取下蓄電池。

① Remove the magazine.  
取下彈匣。

- ① The upper receiver can be removed.  
Remove the frame pin by screw driver and pull open the upper receiver by the carrying handle.

上部接受器可以拆下。  
利用螺絲刀拆下外殼上的銷釘並利用把手拉開上部接受器。

**CAUTION** The pin by the hand guard is the pivot point don't over pull.

注意：把手上的銷釘是樞軸點，不能過度拉開。  
Hold the upper receiver upwards as illustrated.  
如下圖所示將上機匣托起。

UNIVERSO SNIPER  
AIRSOFT

Push up these parts.  
將這部位往上推。

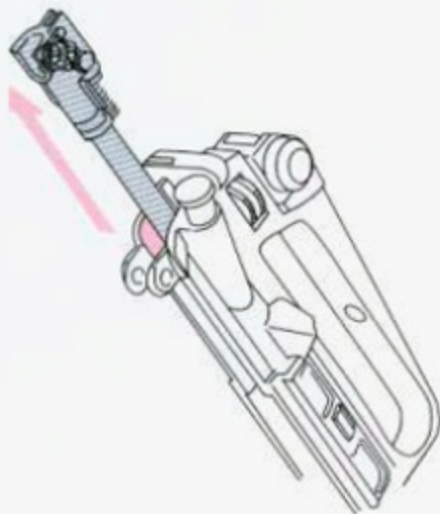


Keep it in this way.  
必須保持這樣子。

frame lock pin (rear)  
鎖銷（后）

**WARNING** Do not disassembly past this point.  
警告：不要拆卸式的拉動該點。

- ② The barrel can be removed  
Stop here for barrel cleaning  
槍管可以卸下。  
這時應停下來清潔槍管。



**CAUTION** Do not pull the charging handle or the dummy bolt while disassembled. Doing so will damage the gun.

注意：在拆卸時不要拉動裝彈把手或人形槍栓。如果不遵守上述操作將會損壞氣槍。

**CAUTION** Make sure no dirt gets into the W4-1 CARBINE meca box as the end is open.

警告：在末端打開時應確認無灰塵進入W4-1 短管卡賓槍的台式晶體管槍盒內。

## 警告和注意事項

- 安裝或卸下上部接受器時應將彈盒卸下。否則，留在彈盒內的子彈有可能會跳進接受器，導致功能故障。
- 在卸下彈盒后，立即開動半自動步槍使活塞向前移動以方便拆卸。在單發射擊后。
- 為安全起見卸下電池。

## WARNING - CAUTION

- Slowly attach or detach the barrel assembly and receiver. Attaching or detaching rapidly or applying excessive force may cause malfunctions.
- Don't disassemble beyond what is necessary. Or the gun may be damaged.



- Be careful not to catch your fingers in the moving parts.



## ● Plastic assembly

### 塑膠版組裝

**CAUTION** Assembly after confirming the barrel is in place within the upper receiver.

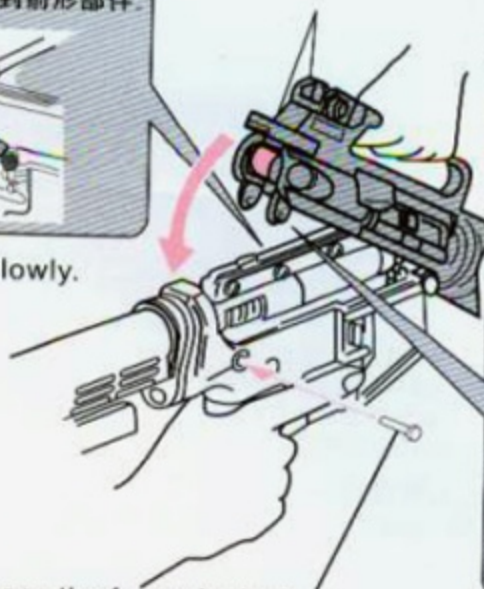
注意：在確信槍管位於上部接受器的適當位置後進行組裝。

Be careful not to catch an arrow parts.

警告：小心不要碰到箭形部件。



(1) Assemble slowly.  
慢速組裝。



Press the inner side and insert into the gun.

Mount lock pin feed hole.  
按著內側，裝入槍機內機架鎖銷導孔。



Make sure not to cause damage.  
注意不要損壞。

(2) Replace the frame lock pin.

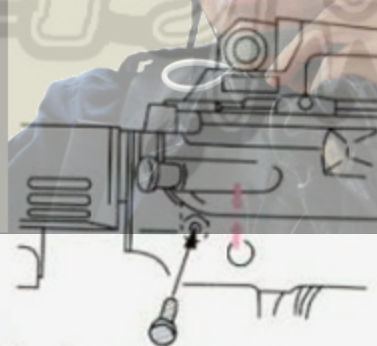
替換下外殼製動銷。

**CAUTION** The frame lock pin guides will be damaged if the upper receiver is closed quickly. Check to see they are aligned properly.

注意：如果上部接受器被快速閉合外殼製動銷導向裝置可能被損壞。檢查排列是否正確。

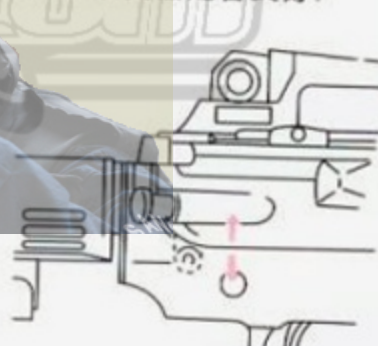
**Point** Keep the upper and lower receivers snug together when inserting lock pin.

接合點：在插入製動銷時使上部接受器和下部接受器配合良好。



The frame pin will fit in smoothly if the upper receiver and lower receiver are joined properly.

如果上部接受器和下部接受器接合良好的話外殼鎖釘將固定良好。



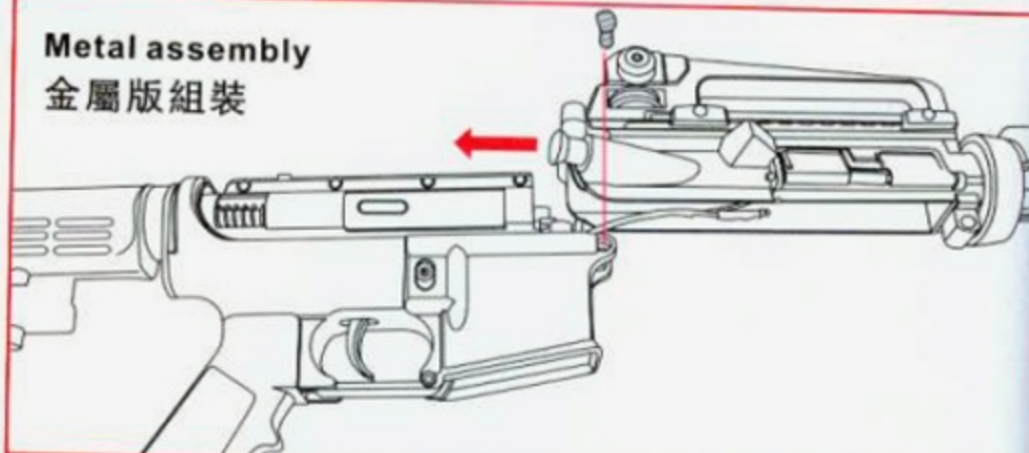
Frame pin will not fit in this position.  
外殼鎖釘將不會在該位置固定。

## 警告和注意事項

- 慢慢安裝上或卸下槍管組件和接受器。快速安裝或卸下或使用過大的力都可能導致功能故障。
- 不要拆卸無須拆卸的部位。否則氣槍會被損壞。
- 小心不要讓您的手指碰到移動部件。

## Metal assembly

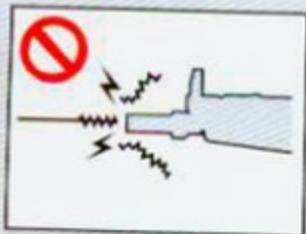
### 金屬版組裝



## WARNING · CAUTION

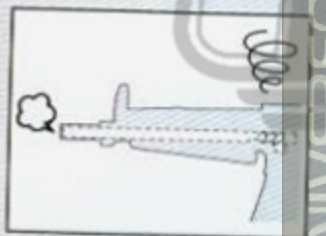
● Begin the maintenance after returning the hop-up dial to the NORMAL (HOP-OFF) position, as in the case of clearing clogged bullets as instructed above.

● Be careful during maintenance. As the inside chamber is precisely designed it can be damaged easily. Use of a hard brush may damage the hop chamber packing.



● Make sure to insert the cleaning rod AFTER returning the hop up dial to the Normal position. (HOP-OFF)

● When bullets are clogged immediately stop operation. Remove clogged bullets and then restart operation of the air gun. (If operation is continued with bullets being clogged, the mechanism may be damaged.)



● Since clogging bullets may jump out at a high speed, always wear safety goggles and confirm safety.

## 警告和注意事項

● 在將上跳標度盤返回至正常 (NORMAL) (開啓) 位置后開始維修。操作步驟與上述阻塞子彈的清除步驟相同。

● 在維修時應小心仔細。因為彈腔內設計精準。因此很容易受損。採用硬毛刷可能會損壞彈跳腔外包裝。

● 確信在將上跳標度盤返回至正常 (NORMAL) (開啓) 位置后插入通條。

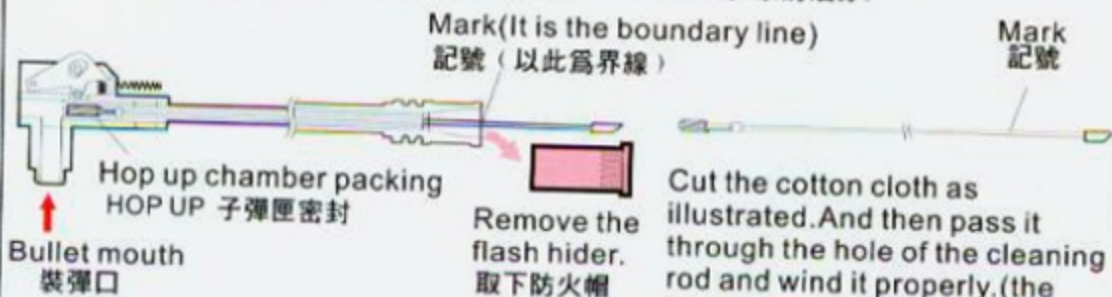
● 如果子彈發生堵塞。應立即停止操作。卸下阻塞的子彈並重新開始氣槍的操作。(如果在子彈阻塞的情況下繼續操作。可能會損害氣槍的機械結構)。

● 由于阻塞的子彈可能高速跳出。因此操作時應戴上護目鏡並確信安全。

## 1. Maintenance when Bullet Speed Becomes Low

### 在子彈速度為低速時的維護

- Drop a few drops of silicone oil or Teflon oil from the bullet entrance. Insert BB bullets into the magazine and fire bullets equivalent to 1 or 2 magazines.
  - To complete the cleaning, use the cleaning rod (with cotton) as shown below, to remove excess oil.
- ① 在子彈入口處滴上幾滴硅油或特氟龍油。將BB子彈插入彈盒並射擊1到2彈盒的子彈。  
② 為完成清潔。採用如下所示的通條 (帶有棉球)。以除去多余的油分。



Spray a few drops of silicon oil or Teflon oil. 用一滴硅油或者特氟龍油滴上。

Cut the cotton cloth as illustrated. And then pass it through the hole of the cleaning rod and wind it properly. (the thickness and length of the cotton cloth should be suitable to be inserted into the barrel for cleaning.)  
將棉製品如下圖所示的比例剪下。然後將剪下的棉布穿過清潔杆的小孔纏繞好。(棉布的厚度和長度要適中。可以伸進槍筒清潔。)



Hold the cleaning rod and turn it. After cleaning the barrel, replace it. 手持清潔棒一端轉動清潔后再將槍筒安裝上去。

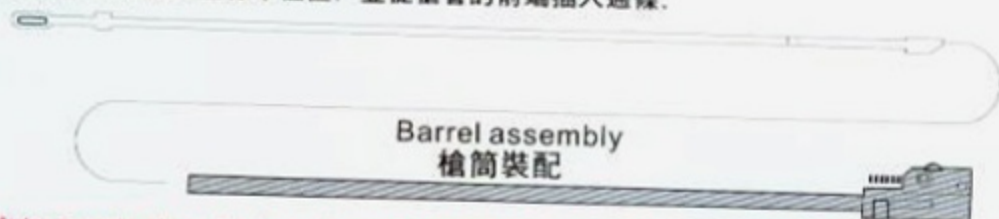
## 2. Removing Clogged Bullets

### 卸下阻塞的子彈

(Set the Safety button to ON and Detaching the Barrel.) (將安全按鈕設置到開的位置。提前取下彈匣)

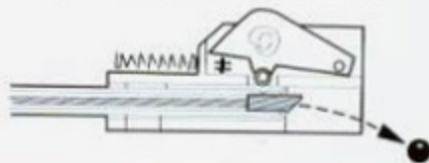
(Refer to 21P9, Attaching and Detaching the Barrel.) (參見第21頁-9 安裝和拆卸槍管)

- Remove the magazine and then the barrel assembly. (refer to 21P9.) 卸下彈匣然後組裝槍管。(參見 21-9)
- Return the hop up dial to the Normal position and insert the cleaning rod from the lead edge of the barrel. 將上跳標度盤返回至標準位置。並從槍管的前端插入通條。



※ Make sure to clean the barrel chamber whenever bullets are removed. (refer to 23P1) ※ 確信無論何時拆卸子彈時一定清潔槍管腔。(參見 23P1)

- Be careful so that the angled part of the cleaning rod faces down, and remove clogged bullets. 應小心以防通條的彎角部分面向下。然後卸下阻塞的子彈。



## WARNING · CAUTION

- Never use any used BB bullets.
- The fuse may blow out due to an electrical overcurrent. Malfunctions of the internal mechanism are possible. So, check possible faulty parts and then connect the battery again.

### <Glass tube fuse> <玻璃管保險絲>

It can be purchased at nearby electrical appliance shop (please be sure to buy the 15A type)

在附近的電器商店等處即可買到。(請務必買15A型。)

General for battery guns  
電動槍通用



- It is recommended to lock the adjustment screw by a screw locking agent or instantaneous adhesive agent after adjustment of the motor position is complete.
- Normally, do not attempt to adjust.

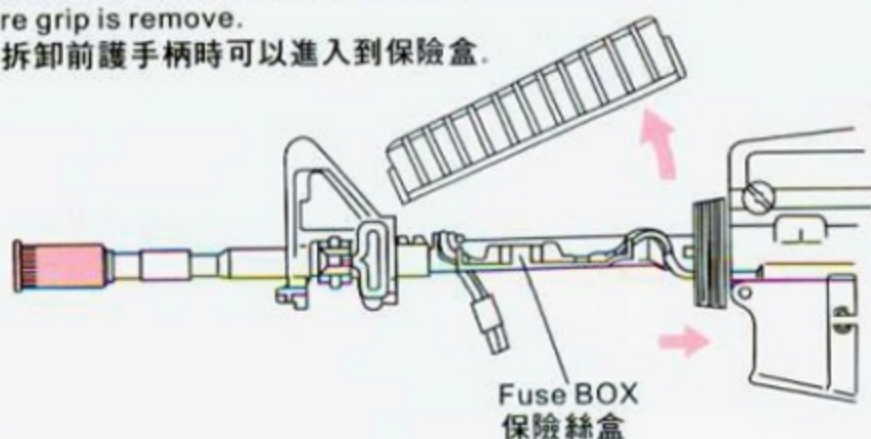
## 警告和注意事項

- 千萬不要使用任何已用過的BB子彈。
- 在發生過電流現象時保險絲可能爆裂。可能發生內部機製故障。因此，檢查可能發生故障的部件然後重新連接電池。
- 建議在完成馬達位置的調節后利用螺釘製動結構或快速粘附劑鎖住調節螺釘。
- 在通常情況下，不要嘗試進行調節。

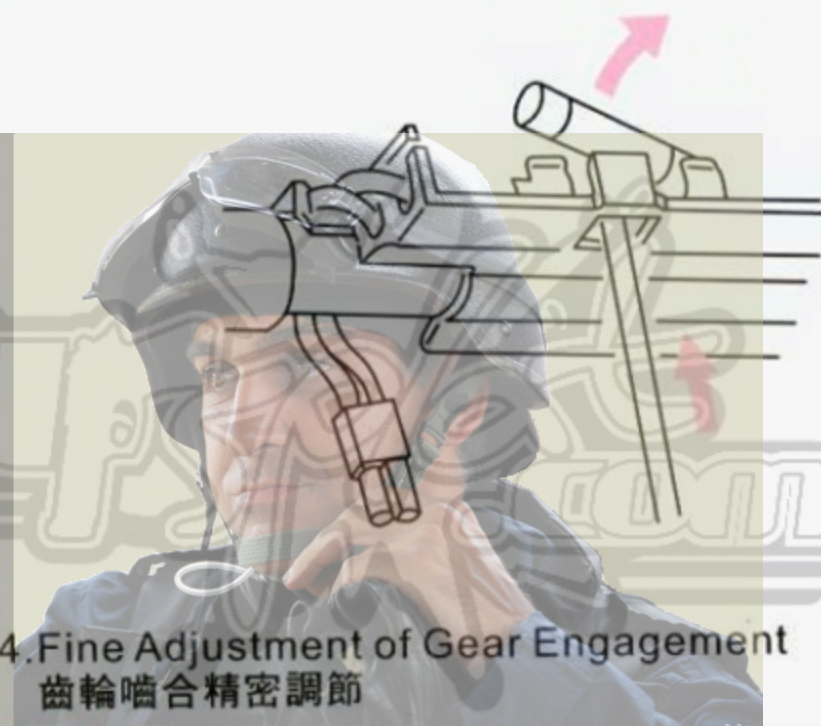
## 3. Fuse Replacement Procedure

### 保險絲替換步驟

- ① The fuse box is accessible when the fore grip is remove.  
當拆卸前護手柄時可以進入到保險盒。



- ② Press and take out the cleaning rod from the inboard hole.  
可從內側的小孔把清潔棒等按壓取出。



## 4. Fine Adjustment of Gear Engagement

### 齒輪啮合精密調節

- CAUTION** ● Only when the motor noise becomes high after operations for a long period of time, conduct the fine adjustment as shown.  
只有在操作較長時間后馬達的噪音變得非常大時才可按照如圖所示進行精密調節。

- Excessive tightening of the screw may damage the motor.  
螺絲旋的過緊可能會損壞馬達。

- Pull the trigger while adjusting the set screw to the left or right. Stop turning when the motor is the quietest.  
在向左或向右調節設置的螺釘時扣動扳機。當馬達處於最安靜狀態時停止轉動。





## 10 TROUBLE CLINIC (TROUBLESHOOTING)

Confirm before calling for repair.

Symptom	Cause	Action
No operation at all	Selector lever is set to Safety.	Set the selector lever to Semi or Full Auto.
	Battery is not charged.	Charge the battery.
	Battery connector is disconnected.	Connect the connector
	The ⊕ and ⊖ or battery connector is revers.	Connect the connector correctly (check the fuse)
	Fuse is blown out.	Replace the fuse
	Expired motor life (50,000 to 60,000 rounds) or poor electrical connection	Replace the motor (purchasing from your dealer or us) or check and repair the contacts.
Although motor is removing, no bullets jump out.	Bullets are clogged in the magazine.	Insert the charging rod into the magazine and move up and down a few times to remove clogged bullets.
	Bullets are clogged in the magazine.	Remove clogged bullets using the cleaning rod.
	Faulty gear	Purchase the replacement gear from your dealer or us and repair.
Impossible full-auto operation (automatic firing)	Insufficient battery power	Charge the battery.
	Faulty bullet feed of magazine.	Repair clogging of the magazine.
	Poor electrical connection	Consult your dealer or us for overhaul maintenance or repair.
Impossible semi-auto operation (single shot)	Deviation in gear timing	Set to semi auto after firing 5 to 6 rounds in full auto.

## 10 故障診斷 (故障排除) 在請求修理前請確信發生了故障。

症狀	原因	採取的措施
根本無操作	選速(器)杆被設置在了安全狀態	將選速(器)杆設置在半自動或全自動狀態
	電池未充電	對電池進行充電
	電池連接器被切斷	連接上連接器
	正極或負極或電池連接器是反向的	正確地連接連接器 (檢查保險絲)
	保險絲爆裂	替換保險絲
	馬達使用壽命已滿 (50,000到60,000發) 或電路連接不良	替換馬達 (從您的經銷商那裡或向我們購買) 或檢查或修理電路連接點。
雖然馬達已拆除, 但無子彈跳出	子彈被阻塞在了彈盒內	向彈盒內插入裝彈杆並上下移動幾次, 以拆下阻塞的子彈。
	子彈被阻塞在了槍彈腔內	利用通條拆下阻塞的子彈。
	齒輪故障	從您的經銷商或向我們購買替換齒輪並對故障齒輪進行修理。
全自動操作不可能 (自動射擊)	電池電力不足	對電池充電
	子彈喂入彈盒時發生故障	清理阻塞的彈盒
	電路連接不良	向您的經銷商或向我們對檢修或修理操作進行諮詢
半自動操作不可能 (單發射擊)	齒輪定時發生偏差	在全自動射擊5-6發后設置成半自動狀態。

Never use BB bullets other than those supplied by . Use of poor quality BB bullets will cause problems. Never disassemble or modify the gun.

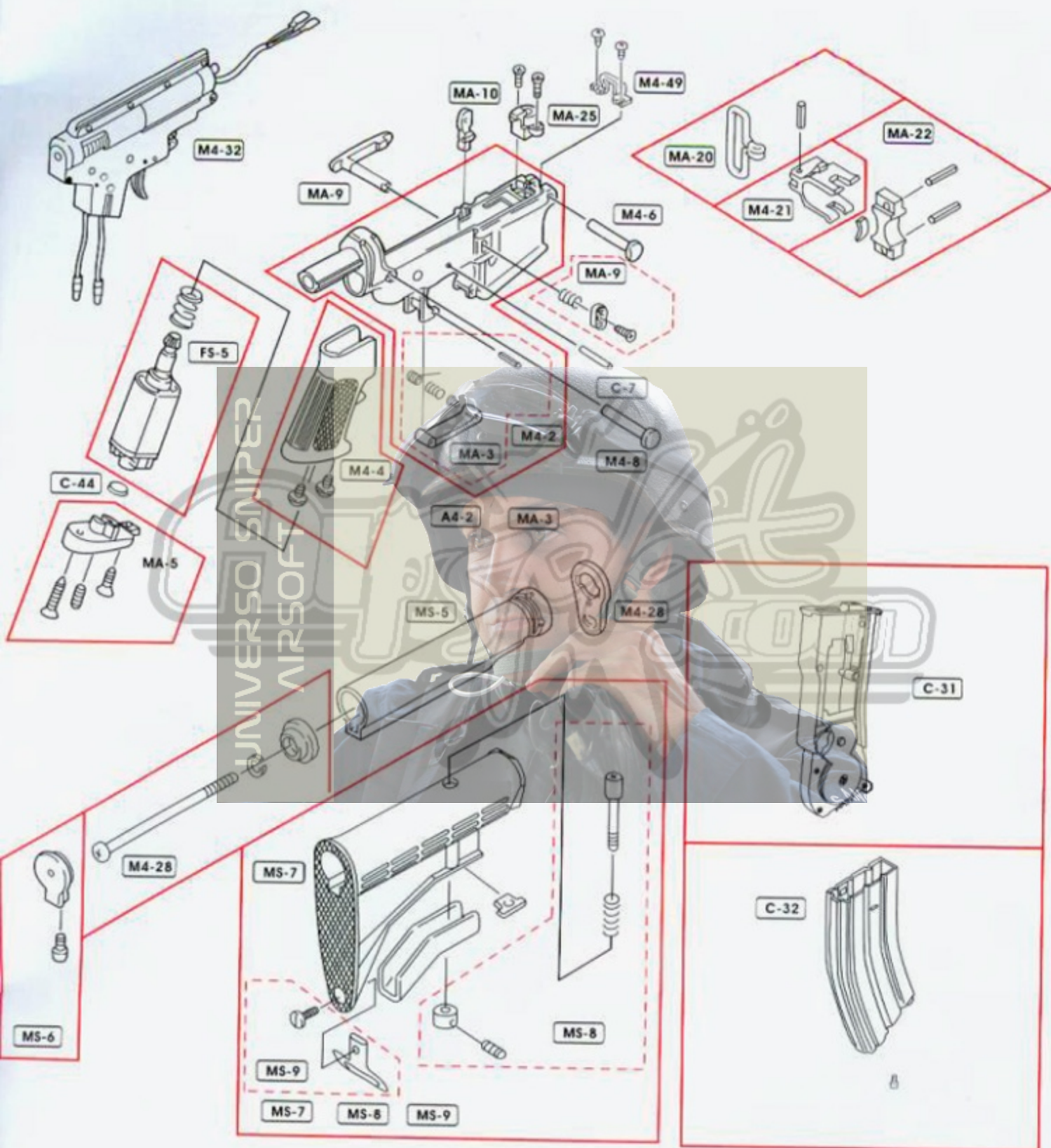
Symptom	Cause	Action
Impossible semi-auto operation (single shot)	Insufficient battery power	Charge the battery
	Poor electrical connection	Consult your dealer or us for overhaul maintenance or repair.
Automatic firing cycles become long.	Insufficient battery power	Charge the battery
Shooting distance become shorter.	Worn or damaged chamber packing	Consult your dealer or us for overhaul maintenance or repair. Replace the chamber packing, piston packing (O-ring) and piston assembly.
	Worn or damaged chamber packing (O-ring)	
	Deteriorated piston spring	
	Faulty BB bullets (too small or heavy)	Use the genuine BB bullets.
	Shortage of damaged gear	Drop a few drops of silicone oil from under the chamber.
Too loud operating noise	Gear problem caused by too many blank firing or worn or damaged gear	Consult your dealer or us for overhaul maintenance, part replacement (gear, etc.) Or repair.
	Gear problem caused by too many blank firing	
Bullets being foilen out from barrel end	Worn or damaged chamber packing	Turn the hop adjustment lever toward Hop.
	No hop setting	
	Faulty BB bullets (too small)	Use the genuine BB bullet.
Being wet by or dropped into water (rain)	Stop operation immediately, disconnect the battery, wipe off water from inside the main body and the battery, and, after complete dry, carry out trial firing. If no operation or malfunction is detected, consult your dealer or us for repair.	

千萬不要使用廠家提供之外的的BB子彈。使用質量不符合要求的BB子彈將可能導致問題。不要拆卸或改動氣槍。

症狀	原因	採取的措施
半自動操作不可能 (單發射擊)	電池電力不足	對電池充電
	電路連接不良	向您的經銷商或向我們諮詢檢修或修理事宜
自動射擊循環時間變長	電池電力不足	對電池充電
射擊距離變短	彈腔包裝磨損或損壞	向您的經銷商或向我們諮詢檢修或修理事宜。替換彈腔包裝、活塞包裝 (O-形環) 和活塞組件。
	彈腔包裝磨損或損壞 (O-形環)	
	活塞彈簧老化	
	BB子彈故障 (太小或太重)	採用真正的BB子彈。
	齒輪有缺陷或損壞	從彈腔下方部位滴幾滴硅油。
操作噪音過大	由于空發射擊過多而導致的齒輪問題、齒輪磨損或損壞	向您的經銷商或向我們諮詢檢修、部件替換 (齒輪等) 或修理事宜。
	由于空發射擊過多而導致的齒輪問題	
子彈自槍管末端掉落	彈腔包裝磨損或損壞	向著HOP方面轉動跳動調節盤。
	無跳動設置	
	BB子彈故障 (太小)	
由于水或落入水中而變濕 (雨水)	立即停止操作，卸下電池，擦干主體內部和電池的水，並在完全干燥后，進行射擊試驗操作。如果未檢測無法操作或故障，請向您的經銷商或向我們諮詢進行修理。	

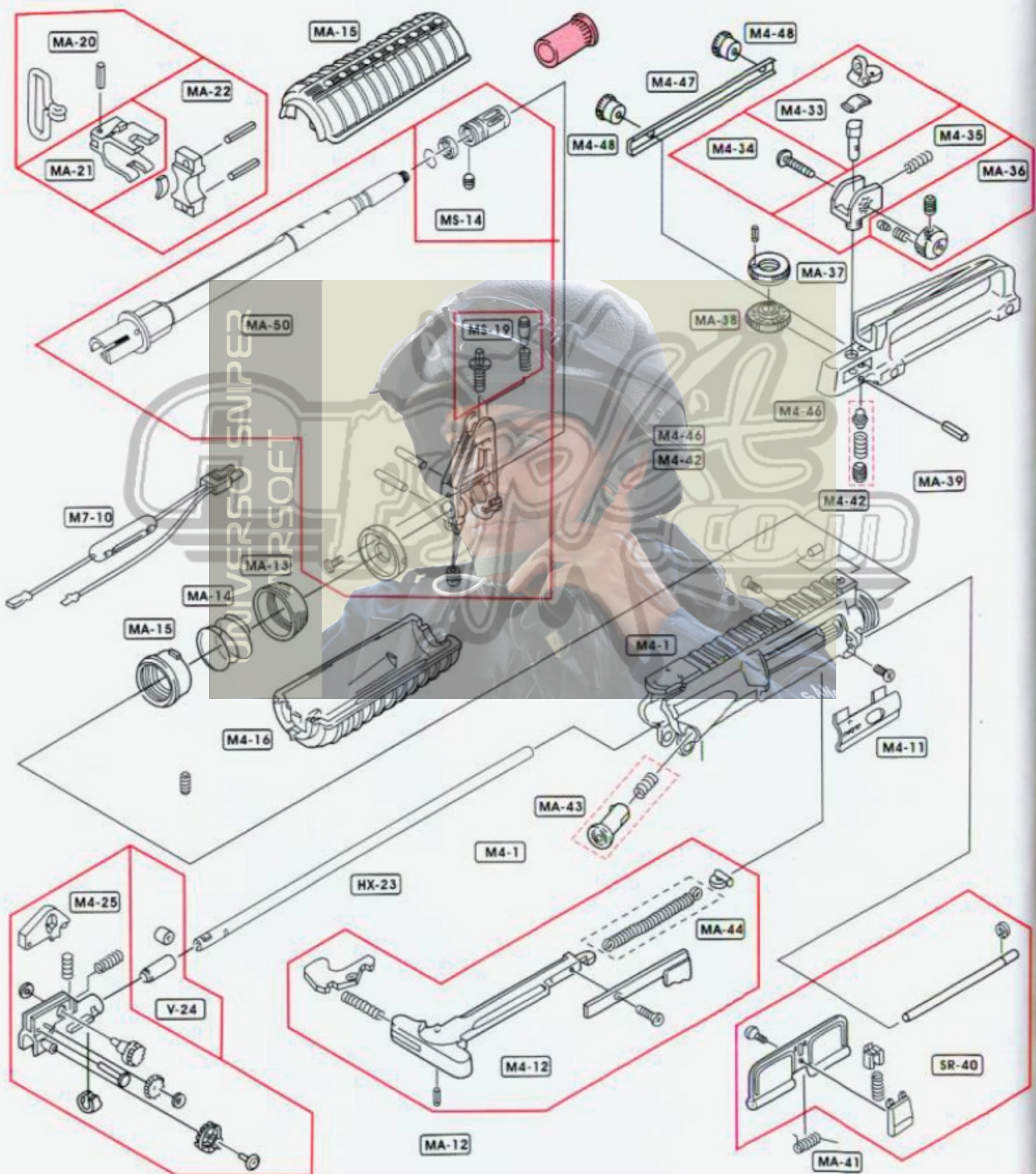
# DETAIL LIST

## 零件清单



# DETAIL LIST

## 零件清单



# DETAIL LIST 零件清单

