

AIRSPORT™

JUST PLAY IT

INSTRUCTION MANUAL
使用說明書

FULL METAL KIMBER WARRIOR BLOWBACK PISTOLS



MODEL A599005



MODEL A599006



MODEL A599007



MODEL A599008

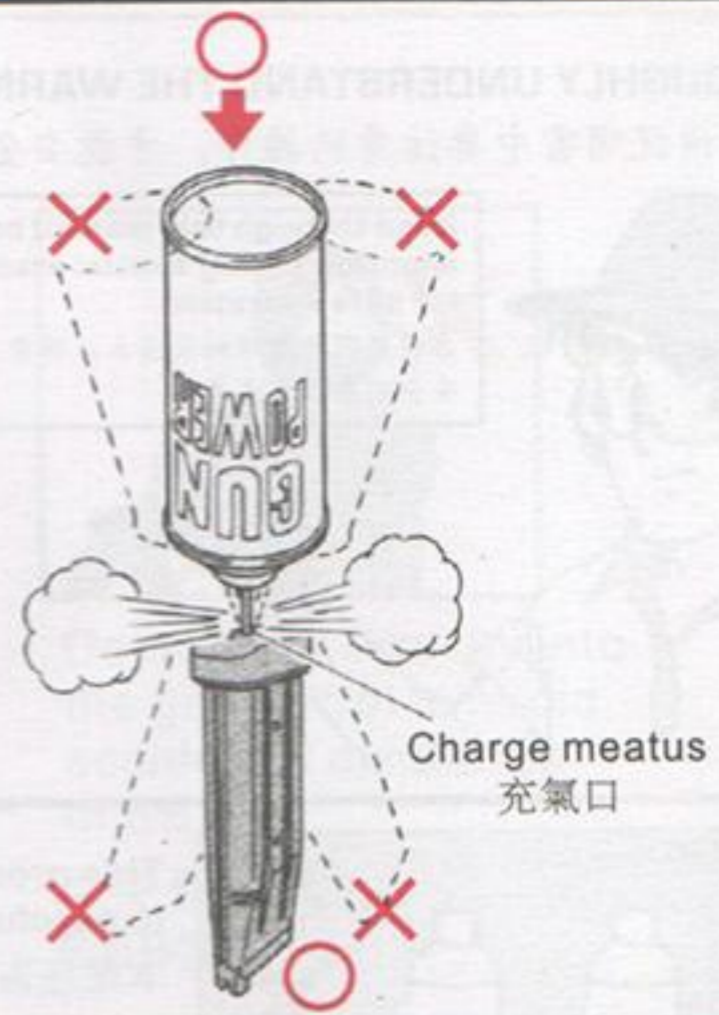
Users restricted to 18 years of age or older 使用年齡對象18歲以上



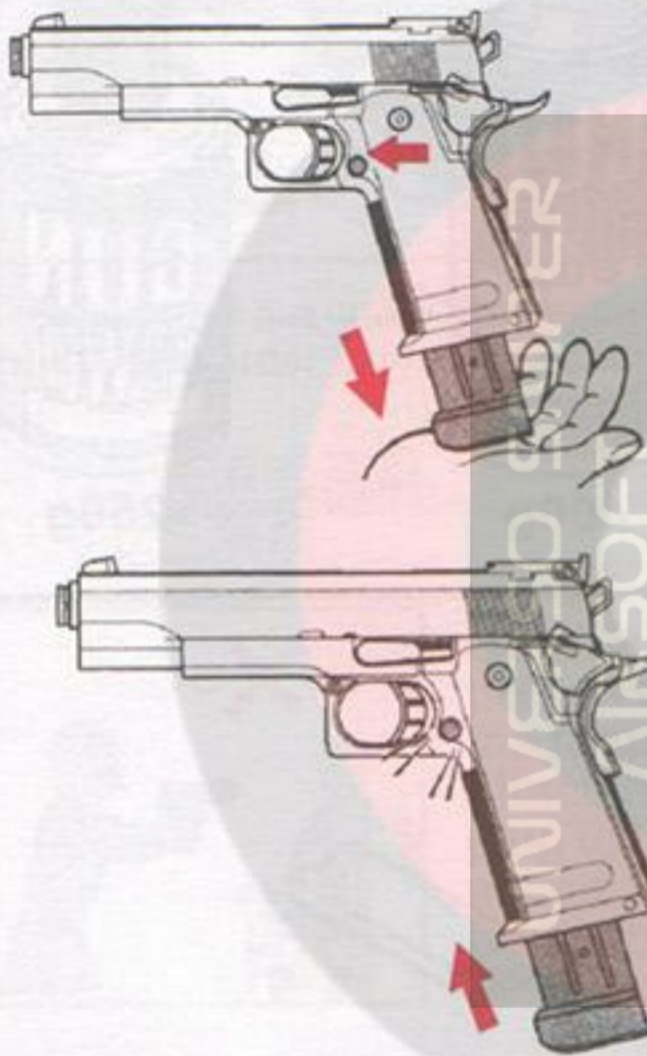
 警告 WARNING	
	<p>18岁以上年龄才能使用 Only for 18 years of age or older</p> <p>18岁以上年龄才能利用这支汽枪比赛使用 Operation of this air gun for competition use is restricted to users of 18 years of age or older.</p>
	<p>注意受损伤 Injury caution</p> <p>因为BB弹能达到50-60米范围, 不小心的射击将可能导致眼睛受损伤或其它伤害。 Since plastic BB bullets reach 50 to 60 meters, careless shooting may cause eye damage or other injuries.</p>
	<p>注意熟读警告指示手册 Careful reading of Handling cautions and Instruction manual</p> <p>在操作之前要细心读熟警告手册和指示手册操作汽枪时必须认识好警告指示 Always read through this HANDLING CAUTION AND INSTRUCTION MANUAL carefully before operation. Operate the air gun with full recognition of warnings and cautions.</p>

2 INFUSE INTO THE AIR 注入氣體

Vertical hole will be at the inflated gas filled.
對準充氣孔垂直將瓦斯充入。



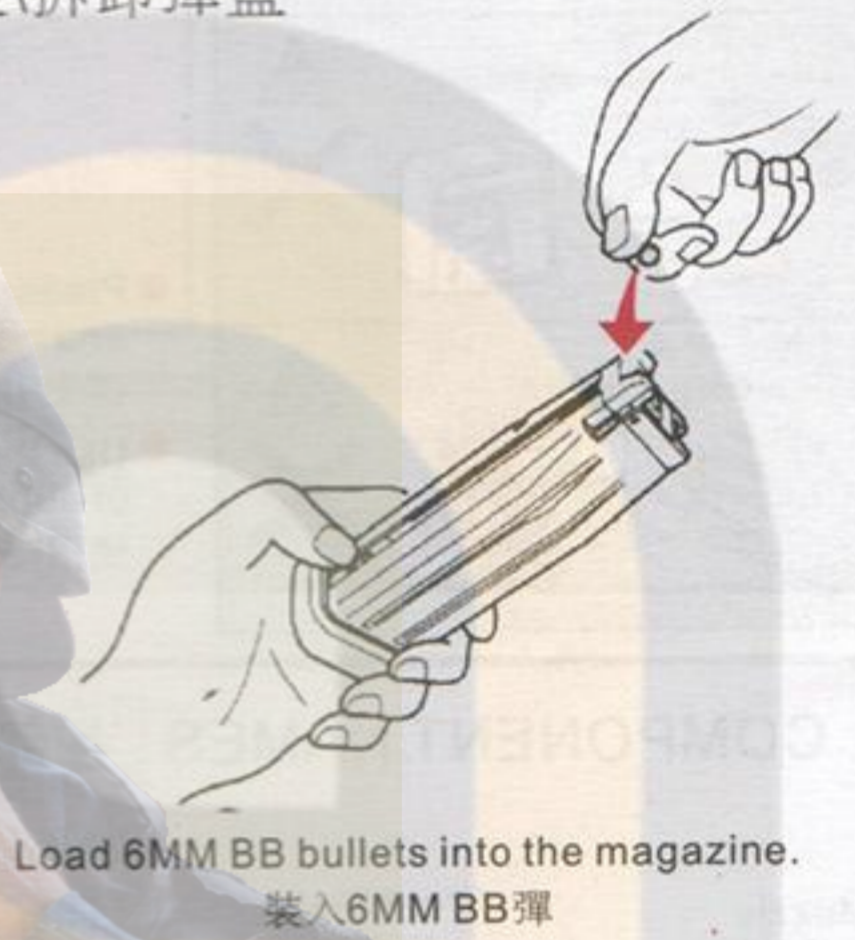
3 INSTALL \ DISASSEMBLE THE MAGAZINE 安裝\拆卸彈盒



While supporting the bottom of the grip with your hand to catch the magazine, press the magazine release button and remove the magazine from the bottom of the grip frame.

一祇手放在握把底部準備接彈盒，另一祇手按下彈盒卸鈕卸下彈盒，注意避免彈盒跌落摔壞或傷及人身。

Insert the loaded magazine back into the bottom of the grip frame until you hear a click, indicating the magazine is securely locked into place. 把彈盒從握把底部插入，直到聽到"咔嚓"一聲。



Load 6MM BB bullets into the magazine.
裝入6MM BB彈

4 SAFETY AETTING 安全裝置



Press the shot hammer keep go to then choose insurance the pole pull out to go to ON/OFF appearance.
按下擊錘直至到位然後將保險選擇杆拔至ON/OFF狀態。

Did not press the shot hammer can't pull out to move the insurance choice pole.
未按下擊錘不能拔動保險選擇杆。

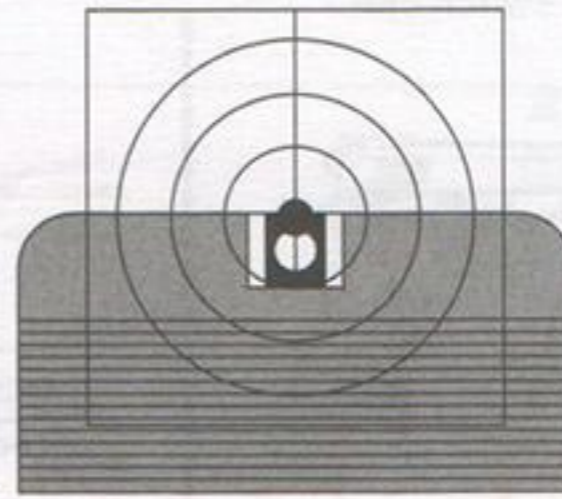
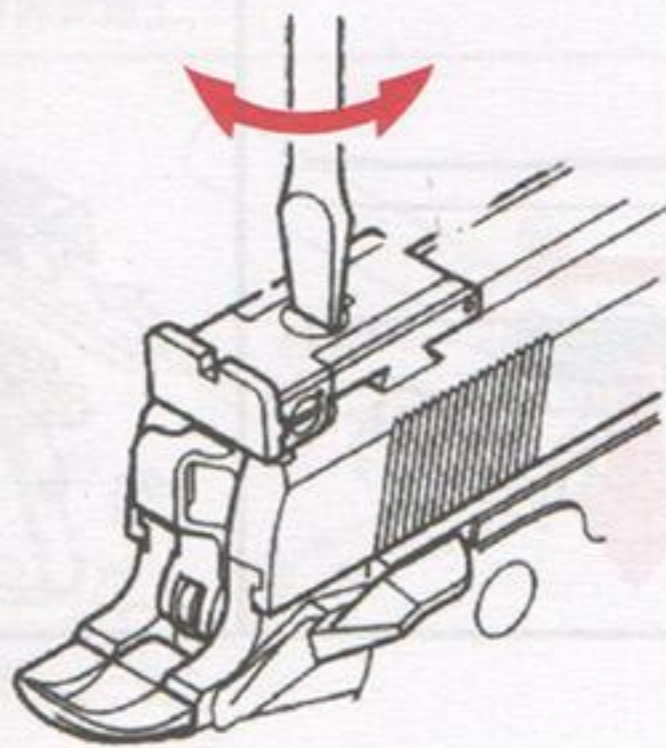


Did not press the shot hammer to. can't pull out to move the insurance choice pole.
未將擊錘按到位，不能拔動保險選擇杆。

5 SETTING THE REAR SIGHT 設置后准星

The adjustment screw will come off if it is turned excessively.

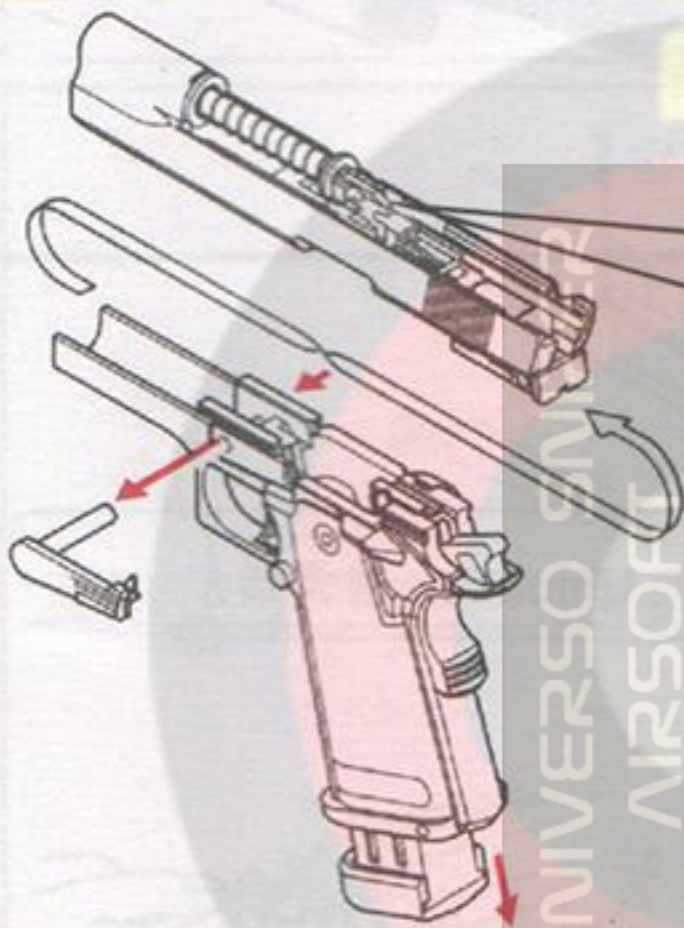
假如用力的扭轉,調節螺絲可能會掉下來。



Twist the loose adjustable stanza screw with the screw knife, move the gun sight to aim at by go to the target canter.

用螺丝刀扭松可调节螺丝,移动准星以至对准目标中心。

6 ADJUST THE PARABOLA 調整拋物綫



The parabola regulate button
拋物綫調節鈕

弱 HOP 强



The entrance of BB bullet
BB彈入口

Gas room
氣室

Bore
槍膛

關正座 Valve

拋物綫調節鈕
The parabola regulate button

輸氣管
Appendix

Adjust the parabola regulate button to adjust the direction of the parabola.
通过调节抛物线调节钮调节抛物线方向。



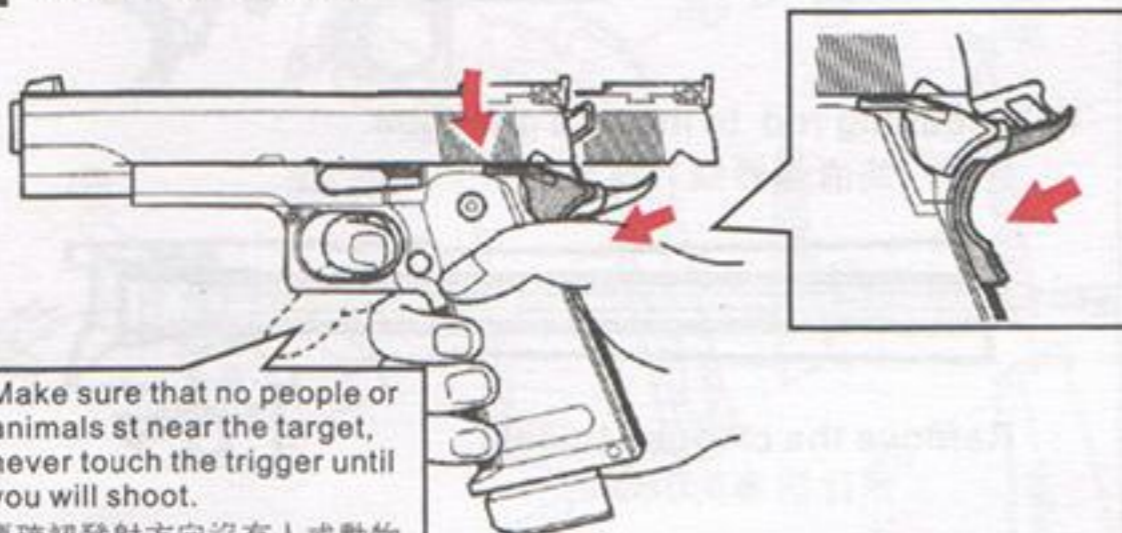
保護塞 Protective Cap



保持水平方向的射擊能夠使BB彈獲得最遠射程。

The best position is where the bullets fly horizontally, and the longest range is obtained.

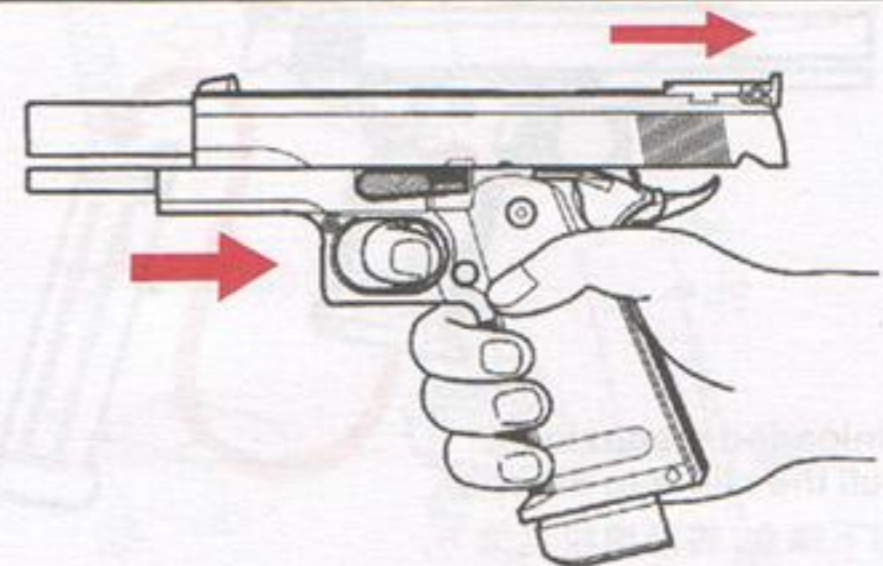
7 SHOT 射擊



Make sure that no people or animals are near the target, never touch the trigger until you will shoot.

要確認發射方向沒有人或動物,手指不要接觸扳機直至瞬間。

1. Insurance options to pull to par "F" stall, lock the palm of your hand by holding down the insurance.
把保險選擇杆拔至"F"檔位,手掌按住保險鎖。



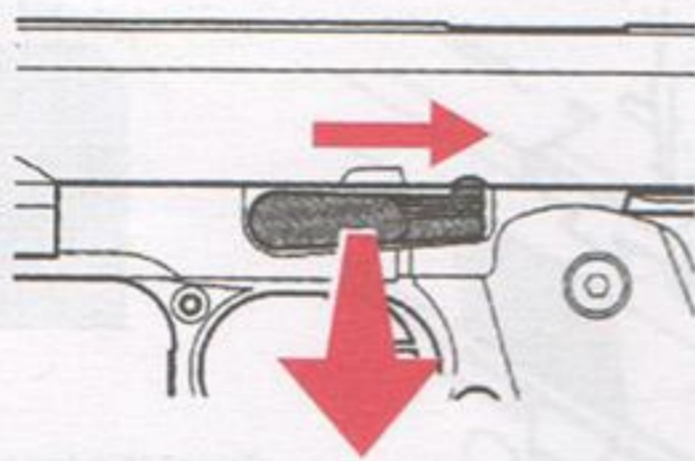
2. With holding the air pistol in a position, cock the soft air pistol by firmly holding the slide with your entire hand, pulling the slide rearward and releasing it a smooth motion, aim the gun and pull the trigger to fire.

向後拉滑塊上膛,直到聽到"咔嚓"一聲,再釋放滑塊,對準目標,手掌緊握握把,扣扳機發射。

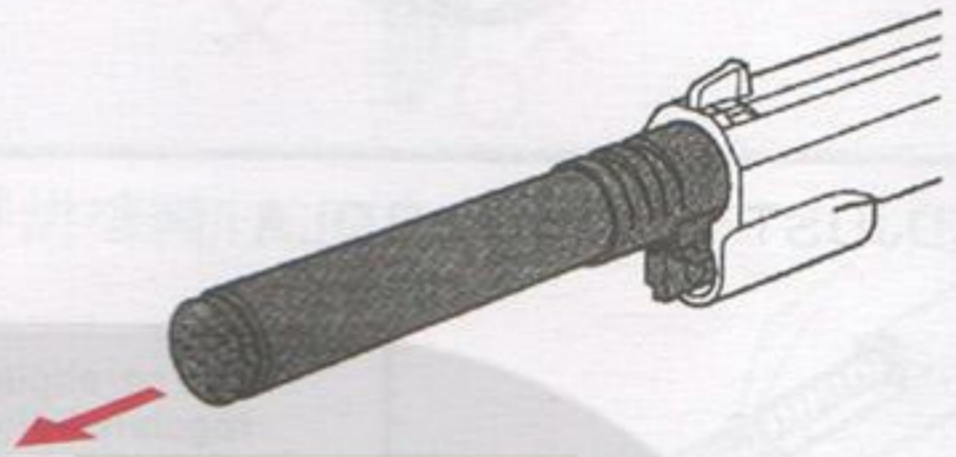
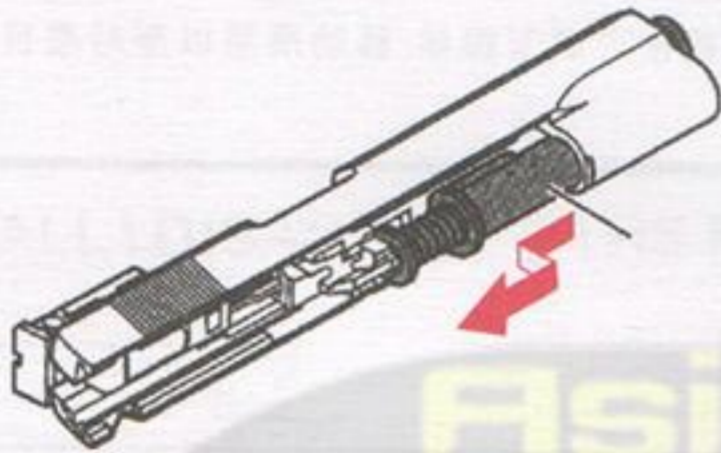
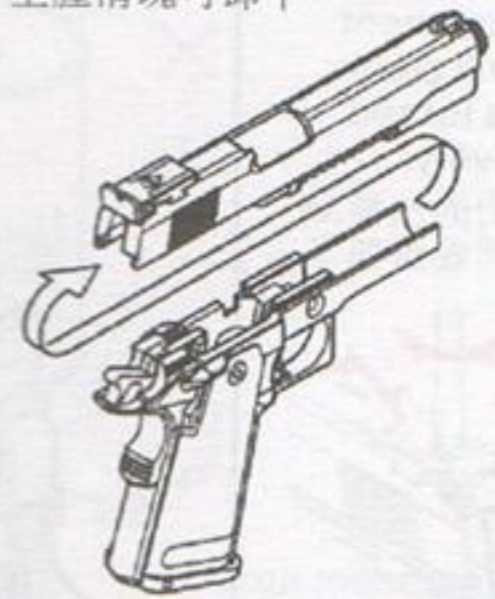
8 MOVABLE PARTS 可移的零件

Pressing to magazine switch can unload to magazine

按下彈盒開關可卸下彈盒



Locking slide can unload
上膛滑塊可卸下



9 REMOVE CLOGGED BULLETS 清除阻塞BB彈

1. CLEAN THE BORE 溝通槍膛



Unloader 清彈器



棉布
Cotton

寬10MM 長約25-30MM

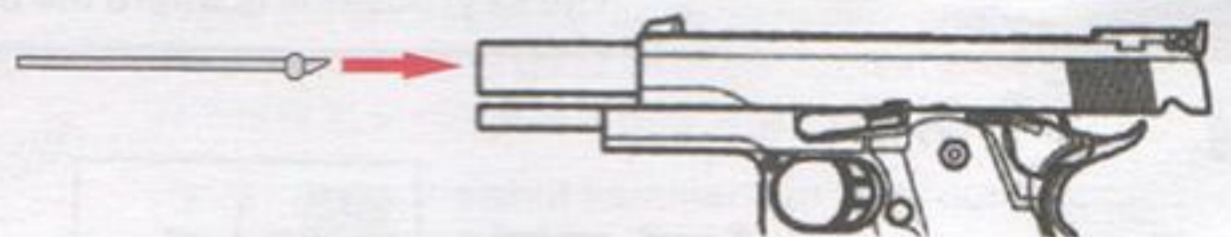
Wind the cut cotton cloth
轉動把棉布卷起來

輕輕擦拭槍口
Dab the muzzle with
the cotton stick

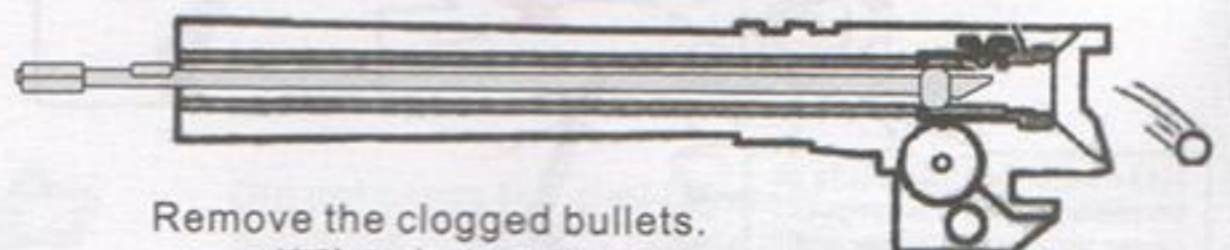
2. REMOVE CLOGGED BULLETS 清除阻塞BB彈



Unloaded magazines,
pull the slider to the rear.
卸下彈盒, 將滑塊拉至後方.

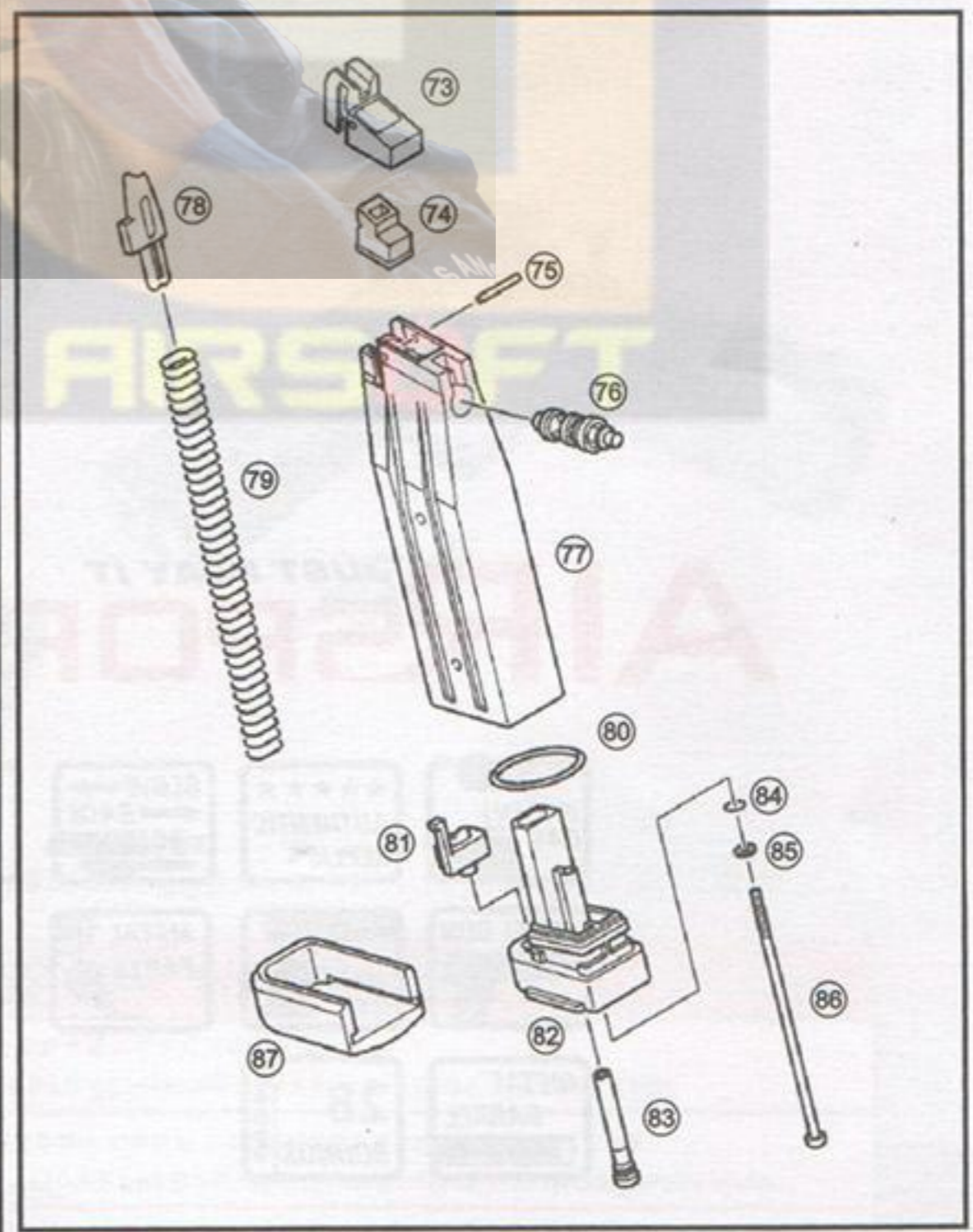
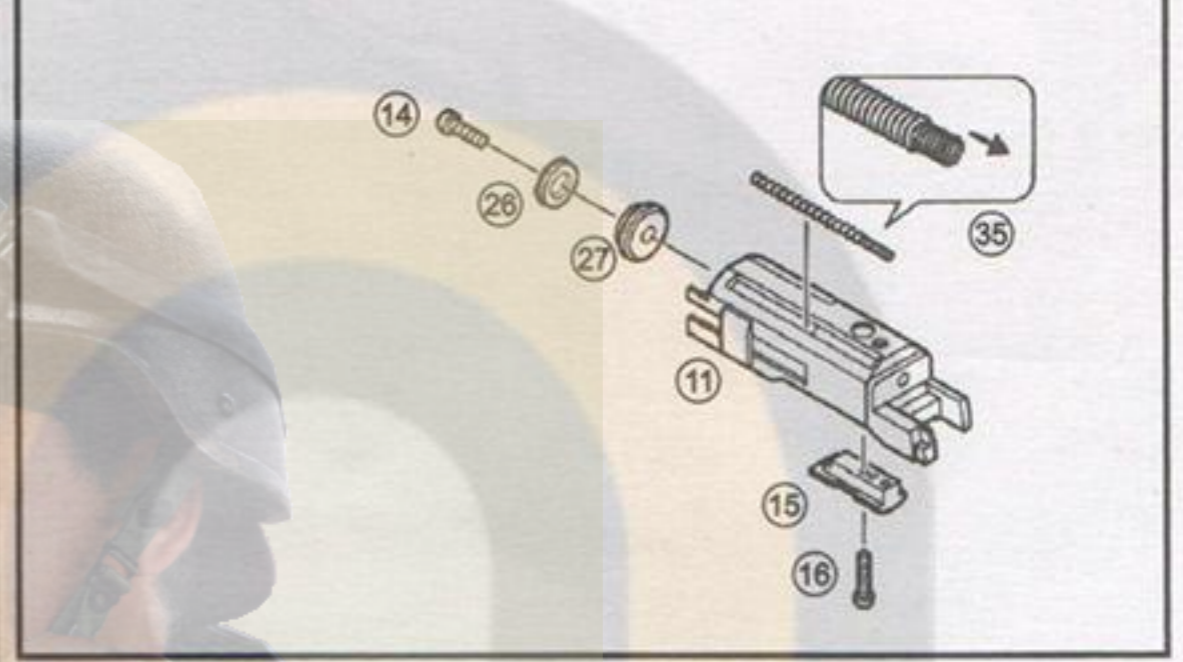
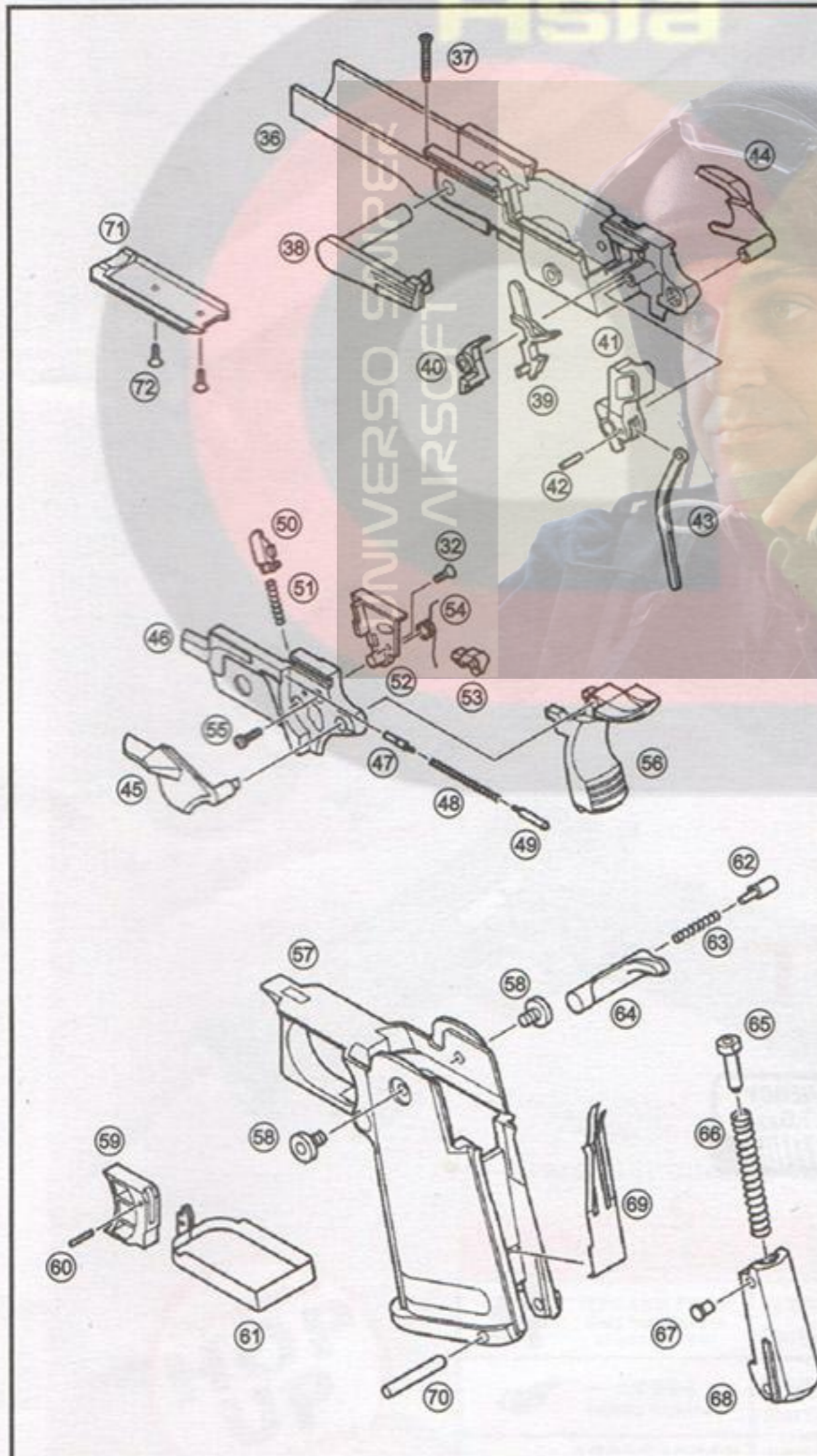
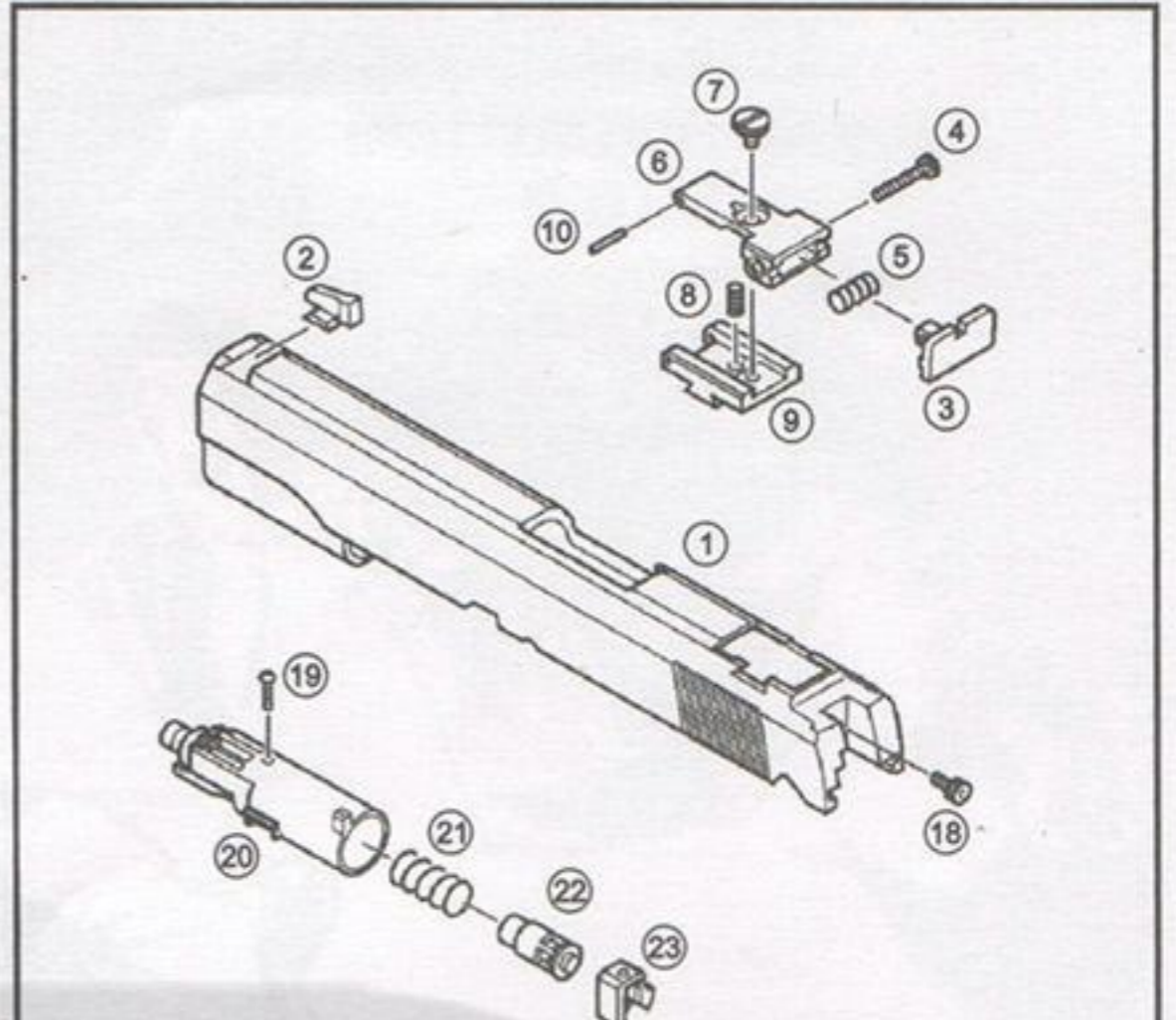
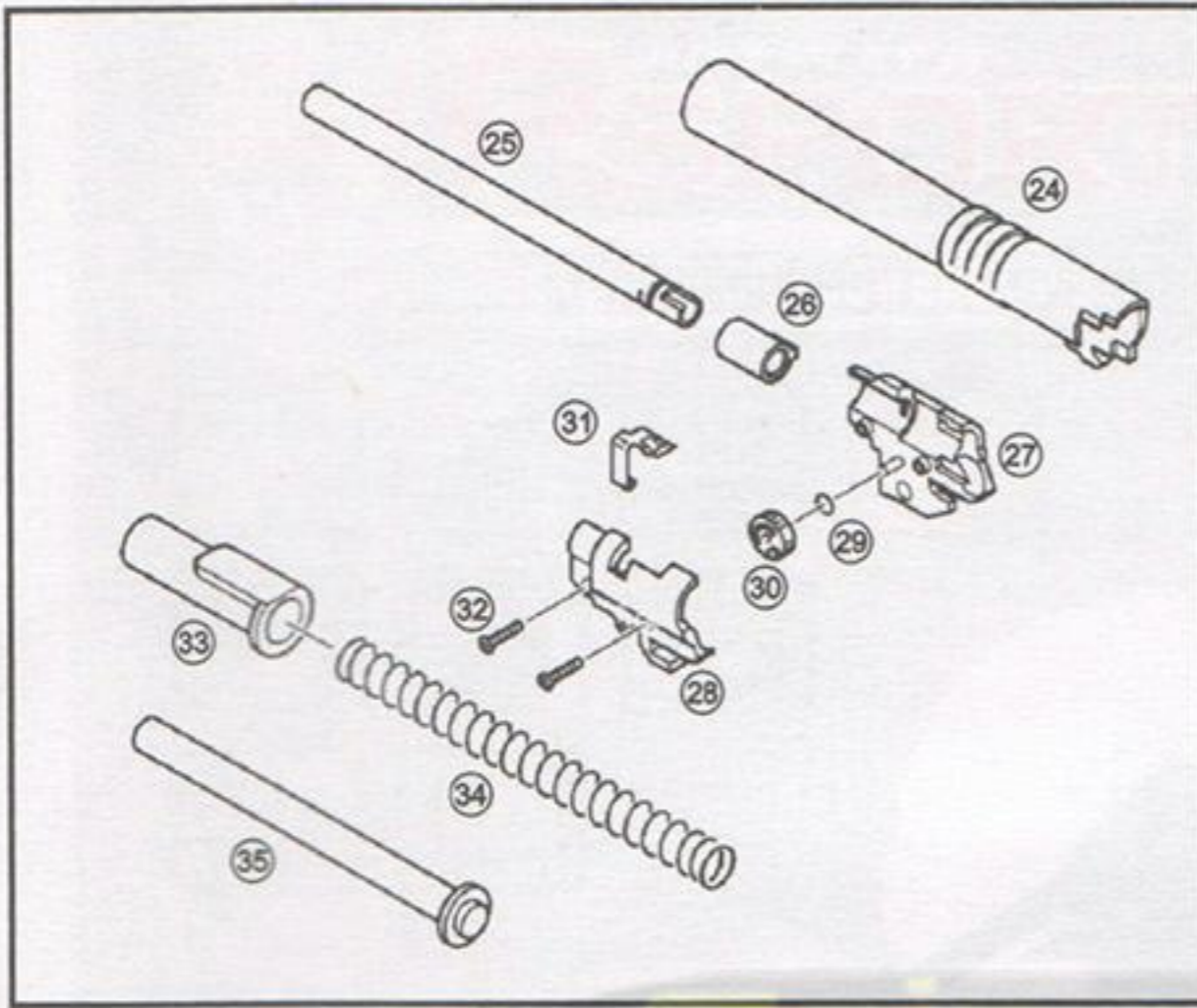


Will cleaning rod to insert a gun tube.
將清彈器插入槍管.



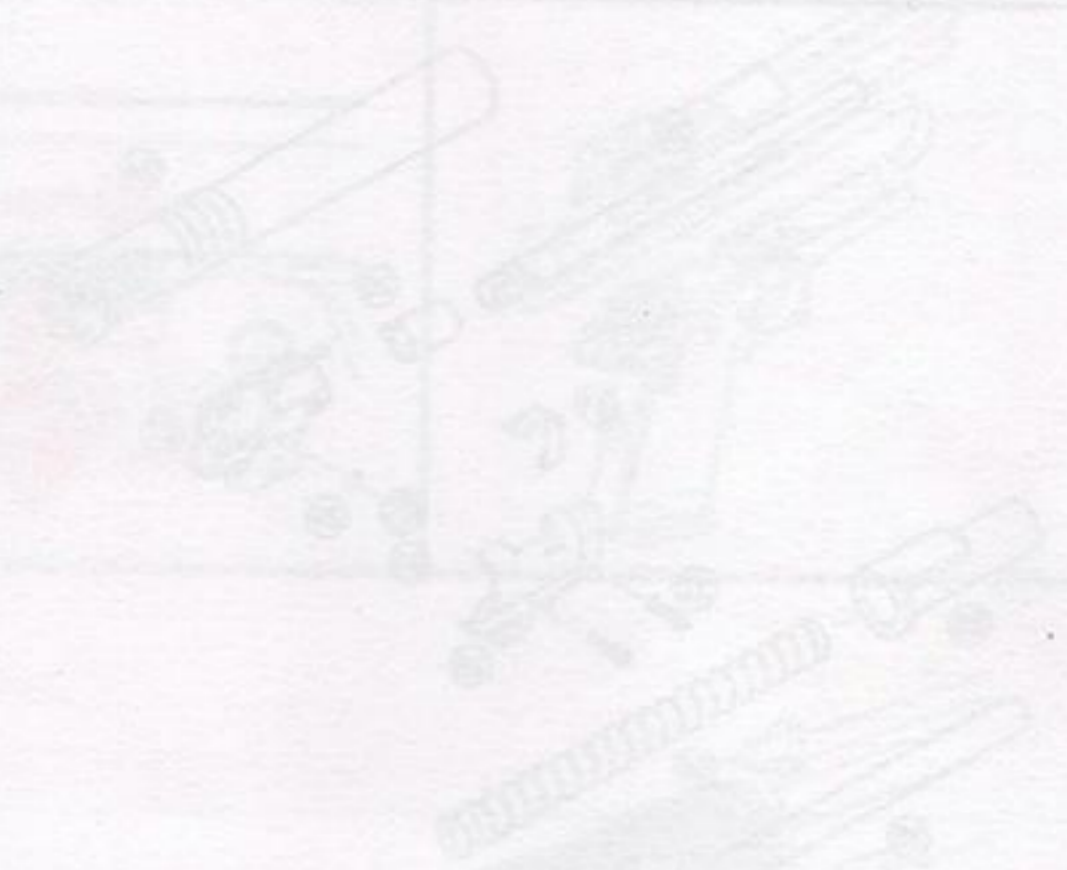
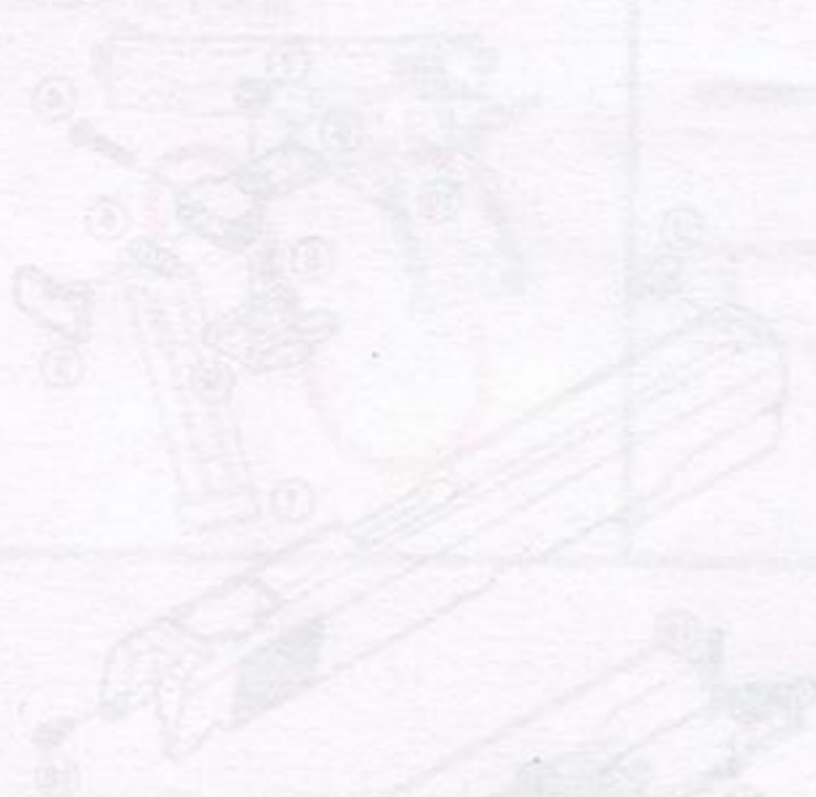
Remove the clogged bullets.
清除阻塞的BB彈.

THE COMPOSITION OF **F1-007**



MOVABLE PARTS

THE COMPOSITION OF FT-007



Asia

UNIVERSO SNIPER
AIRSOFT



AIRSOFT

JUST PLAY IT™
AIRSPORT

