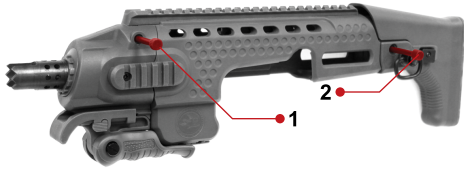


APS Caribe Action Combat

SMG x PISTOL CONVERSION

ASSEMBLING INSTRUCTIONS FOR AIRSOFT GLOCK MODELS



STEP 1

Pull the two locking pins(#1 & #2)out by pushing them thru the CARIBE. The pins have detents to prevent them from being pulled out completely.



STEP 2

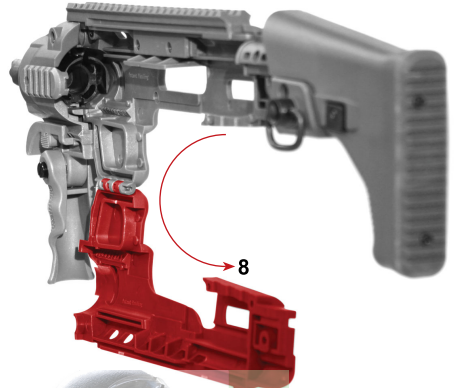
Pull the butt stock to full extension by pressing the button on the LEFT hand side of the stock(#3)



STEP 3

Lay the CARIBE down on its side - muzzle points left. Slide parts #6 & #7 to fully extended position.

⚠ WARNING : OBSERVE SAFE AIRSOFT HANDLING PRACTICES AT ALL TIMES. FAILURE TO DO SO MAY RESULT IN SERIOUS BODILY INJURY OR DEATH. APS SHALL NOT BE RESPONSIBLE FOR INJURY, DEATH OR PROPERTY DAMAGE RESULTING FROM FAULTY INSTALLATION, MISUSE, ILLEGAL USE OR MODIFICATION OF THIS PRODUCT.



STEP 4

Open the body on its bottom hinge(#8).



STEP 5

MAKE SURE - PISTOL UNLOADED & CHAMBER EMPTY! Place the polymer slide attachment over the rear sight - as shown above, the rear gap is necessary(#10).

WARNING : THIS CONVERSION KIT IS FOR AIRSOFT GUN USE ONLY.



STEP 6

Place airsoft pistol directly into position making sure it is laying flat. The under barrel rail slot on the airsoft Glock needs engage the male rail bar on the CARIBE. In order for the CARIBE to close properly, make sure the airsoft pistol and slide attachment are locked into position before folding hinged body back over.



STEP 7

Close the body(#8)and push parts #6 & #7 back together into locking position, then completely reinsert the locking pins (#1 & #2).

SAFETY INSTRUCTIONS AND HANDLING

You should be fully familiar with the proper and safe handling of your Airsoft Gun. The basic principles of weapons safety require you to always apply the rules when handling the Airsoft.

CARIBE PARTS



- 1 Front locking pin
- 2 Rear locking pin
- 3 Stock extension button
- 4 Forward grip
- 5 Position selection button
- 6 Rear housing
- 7 Front housing
- 8 Airsoft pistol housing(body)
- 9 Muzzle hose
- 10 Charging handle adaptor, include 3 types:-
(G17/ACP601, G18c/ACP602, RAM Combat)
- 11 Grip removal button

