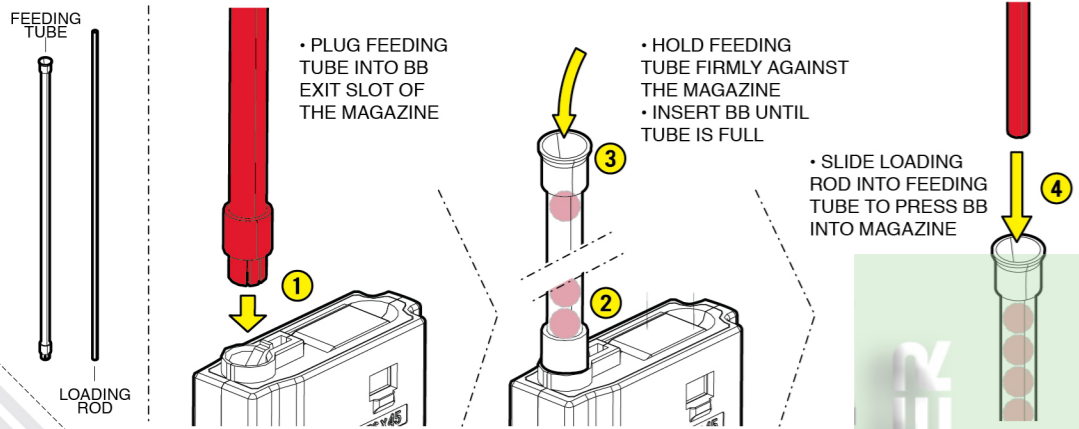
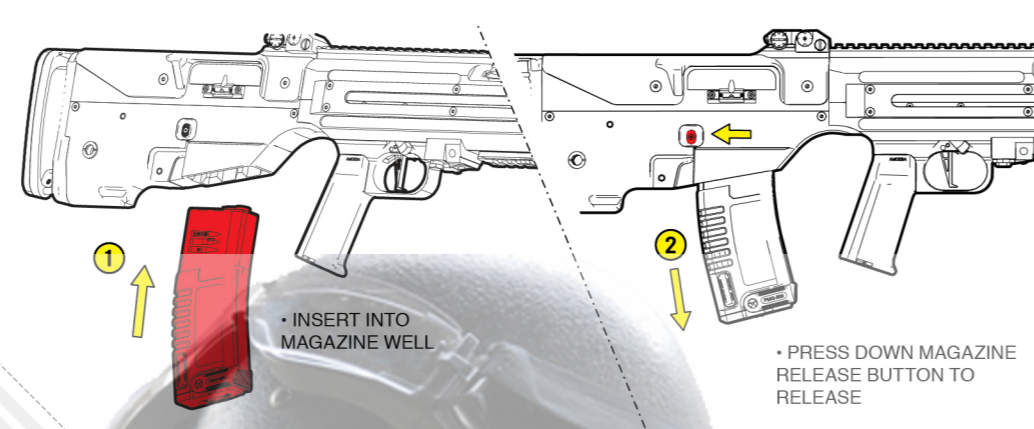


LOADING MAGAZINE

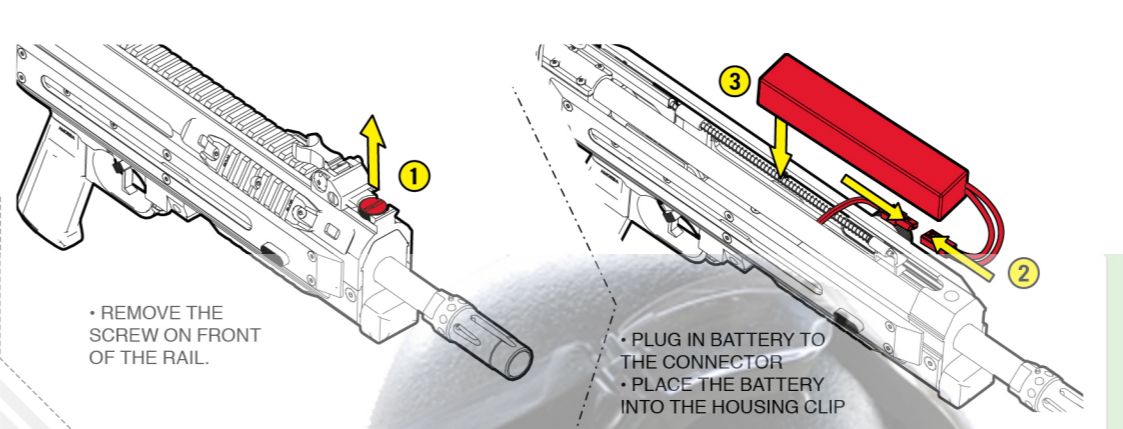


INSERT/RELEASE MAGAZINE

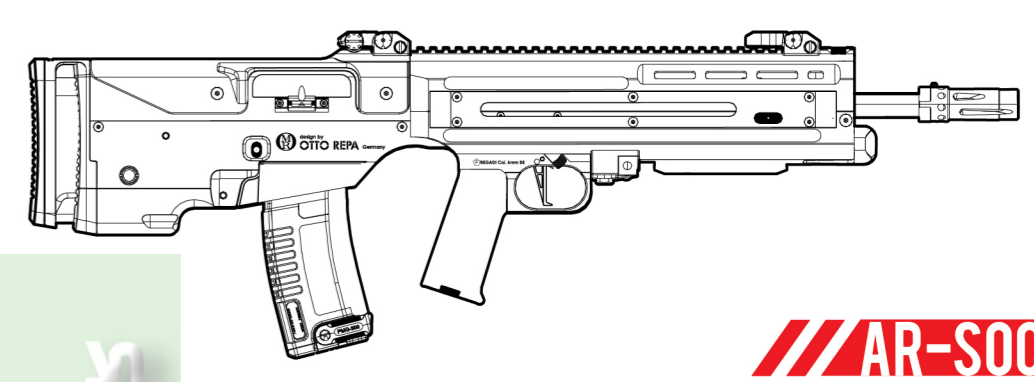


BATTERY INSTALLATION

• SUPPORT 11.1V STICK BATTERY
• MAX. BATTERY SIZE: 120mm X 19mm x 17mm



PRODUCT FEATURES

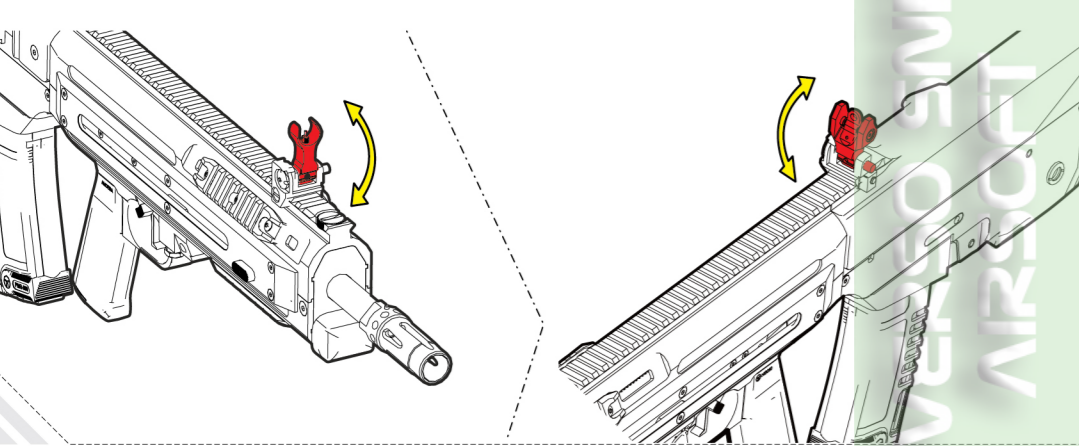


AR-SOC

SPECIFICATIONS

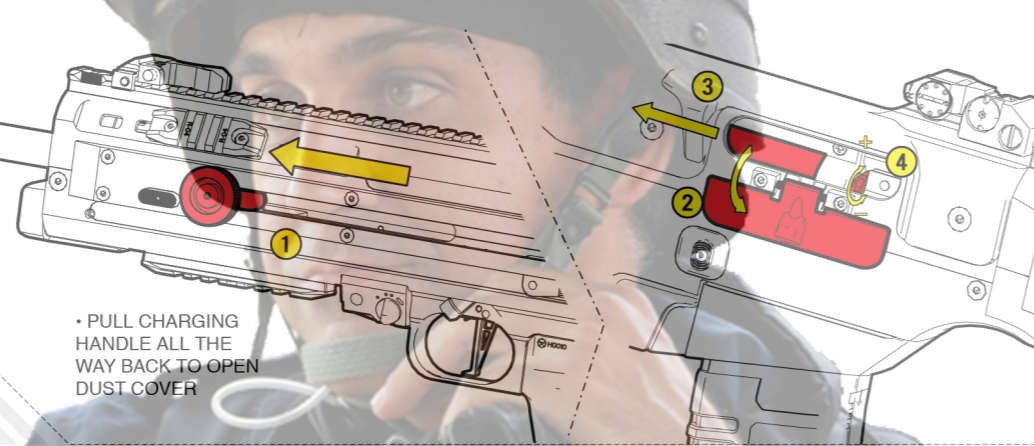
| | |
|---------------------|------------------------------------|
| POWER SOURCE : | 11.1V LIPO RECOMMENDED |
| LENGTH : | 730MM |
| WEIGHT : | 4020g |
| MAGAZINE CAPACITY : | AR STYLE 300 ROUNDS (6MM BB) |
| FIRE MODE : | SINGLE / 2 RDS BURST / FULL AUTO |
| MATERIAL : | CNC 6063 ALUMINUM + METAL |
| HOP-UP : | ADJUSTABLE |
| VELOCITY : | ACCORDING TO YOUR LOCAL REGULATION |

FLIP-UP SIGHT



HOP-UP ADJUSTMENT

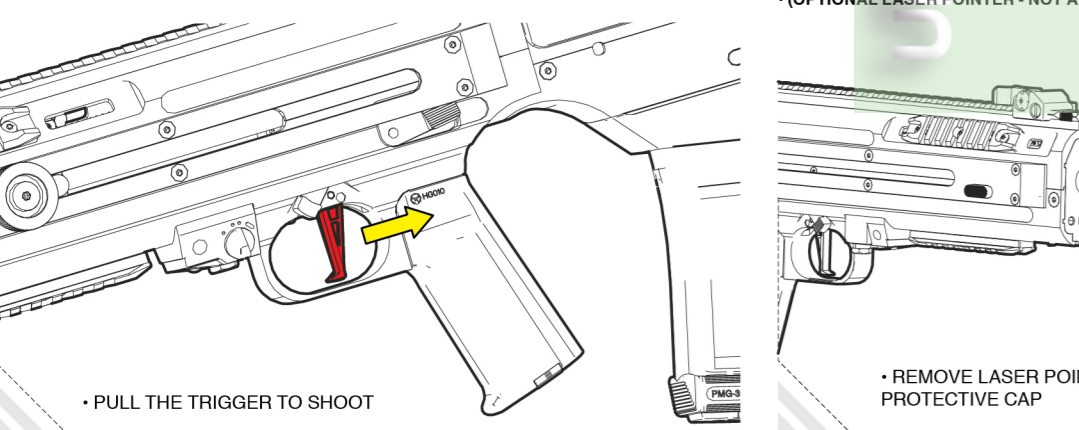
• TURN WHEEL UP FOR MORE HOP-UP
• TURN WHEEL DOWN FOR LESS HOP-UP



SWITCH FIRE MODE

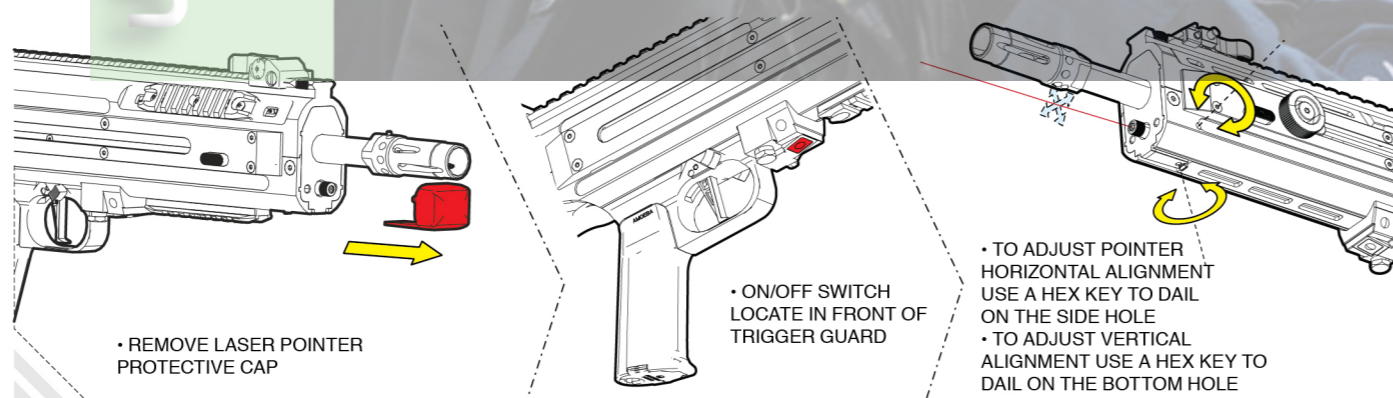


TO SHOOT

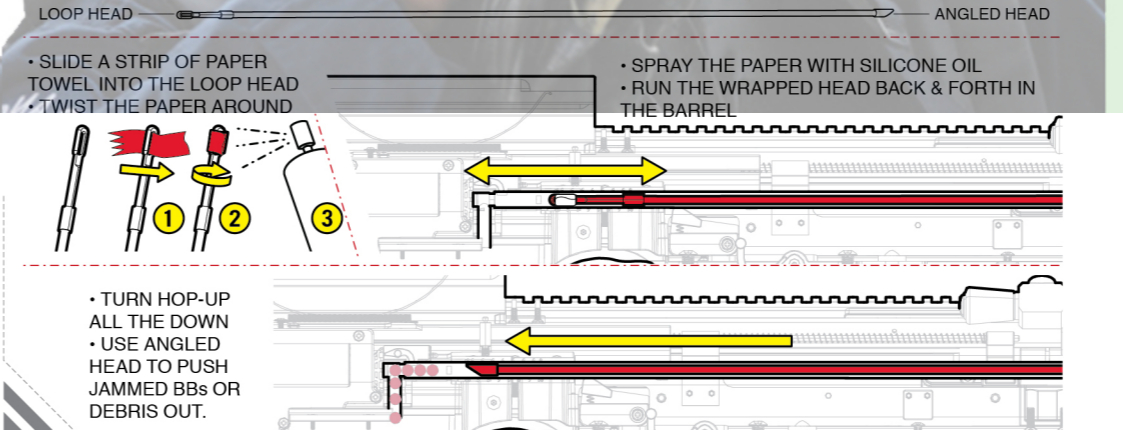


OPERATE LASER POINTER

• (OPTIONAL LASER POINTER - NOT AVAILABLE FOR GERMANY)



CLEAN / CLEAR JAMMED BARREL



SAFETY INSTRUCTIONS

READ ALL INSTRUCTIONS BEFORE USE!

- FOR ADULT USE ONLY. NOT TO BE OPERATED BY MINORS UNDER THE AGE OF 18.
- NEVER MODIFY OR ALTER YOUR AIRSOFT GUN. Attempts to modify the airsoft gun in any way could make your airsoft gun unsafe to use, cause serious injury or death, and will void the warranty.
- Misuse of Airsoft Guns is dangerous and can cause serious injury or death. Always treat an Airsoft gun with the same respect you would towards a real firearm.
- NEVER look into the gun's muzzle.
- NEVER point the Airsoft gun at anything you do not intend to shoot.
- NEVER shoot at targets that may cause the BB to bounce off, such as hard surface that could produce a ricochet.
- ALWAYS ensure the operator and everyone nearby are wearing appropriate eye protection.
- ALWAYS ensure the fire-selector is on "SAFE" until you are ready to shoot.
- ONLY shoot the airsoft gun in designated area, towards a safe direction, using a sufficient backstop.

GENERAL PRECAUTIONS

- This merchandise does not contain any internal components compatible or interchangeable with a real firearm.
- This merchandise cannot accept firing components from a real firearm, nor be able to chamber / fire real ammunition.
- This merchandise is designed to function solely with 6mm airsoft ammunition.
- ONLY use high-quality precision plastic BBs designed for 6mm Airsoft guns.
- NEVER reuse a BB that is dirty, has been shot from the gun, or otherwise deformed. Use of contaminated or imperfect BBs could damage your gun.
- ALWAYS transport Airsoft guns in its original box or an appropriate gun case.
- NEVER carry the gun in plain sight.
- ALWAYS store the airsoft gun unloaded, and out of reach by children.
- Using unauthorized repair centers or modifying the function of your airsoft gun in any way may be unsafe and will void your warranty.
- The manufacturer, distributors, and retailers are not liable for any malfunction, accidents, injuries or repair cost resulting from misuse, or by disassembly and modification of the airsoft gun.

CAUTION **WARNING**

CAUTION TO PREVENT BATTERY POWER DRAINAGE, BATTERY MUST BE UNPLUGGED AND STORED SEPARATELY FROM AIRSOFT GUN AFTER USE.

Divisions of Forever Good (Hong Kong) Ltd.

ARES AMOEBA Octarms Strike SUPER KIT SHOOTER OCELOS OPTICAL INSTRUMENT

FOR GENERAL ENQUIRY, CONTACT US AT
ARES@ARESAIRSOFT.COM
FOR THE LATEST NEWS AND PRODUCT INFORMATION, VISIT US AT
WWW.ARESAIRSOFT.COM
ARES AIRSOFT

© ARES AIRSOFT. ALL RIGHTS RESERVED.

Begard
design by OTTO REPA Germany