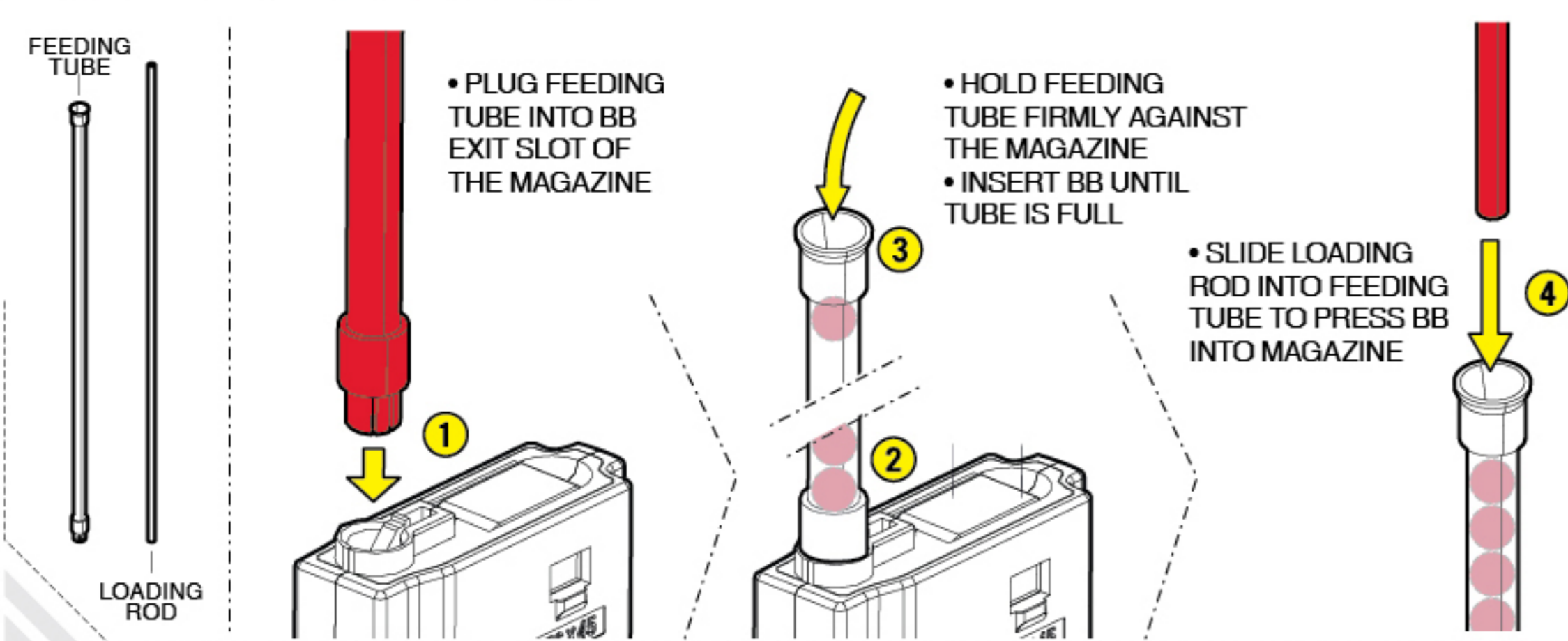
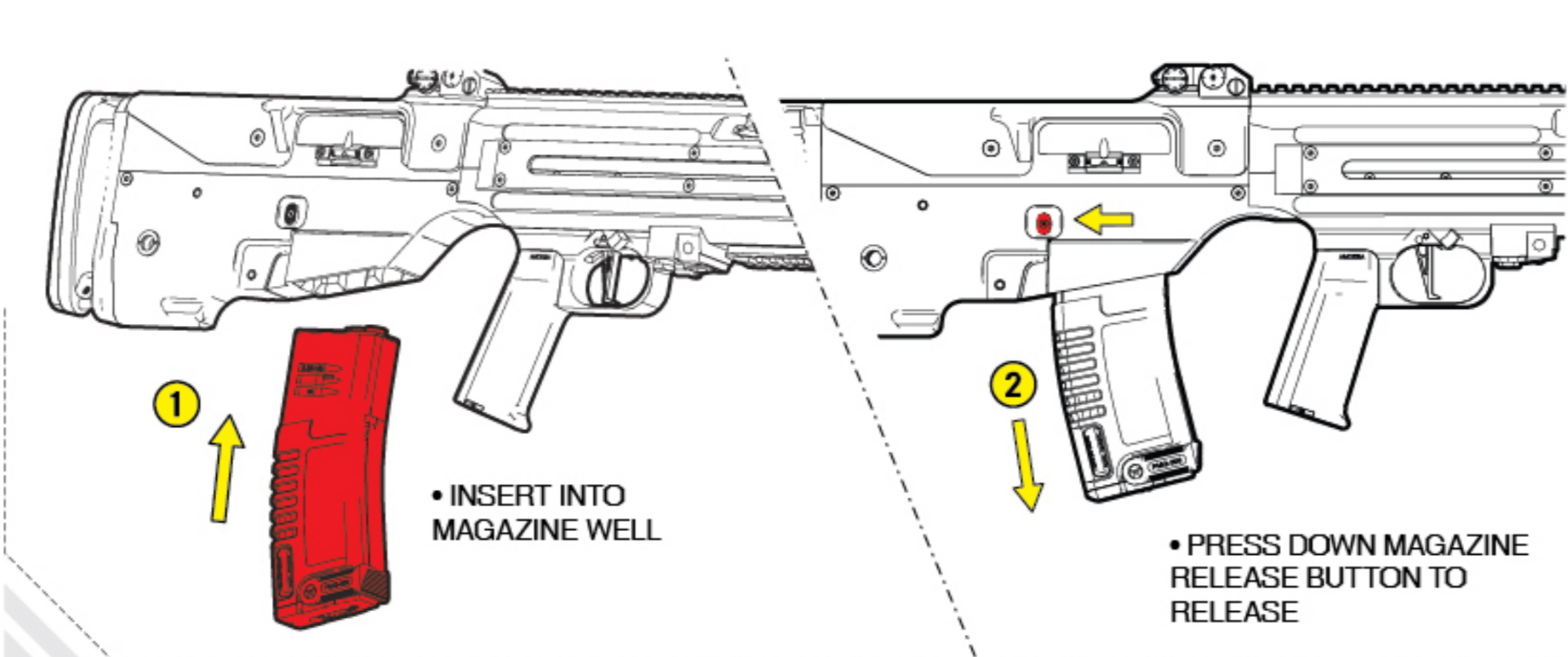


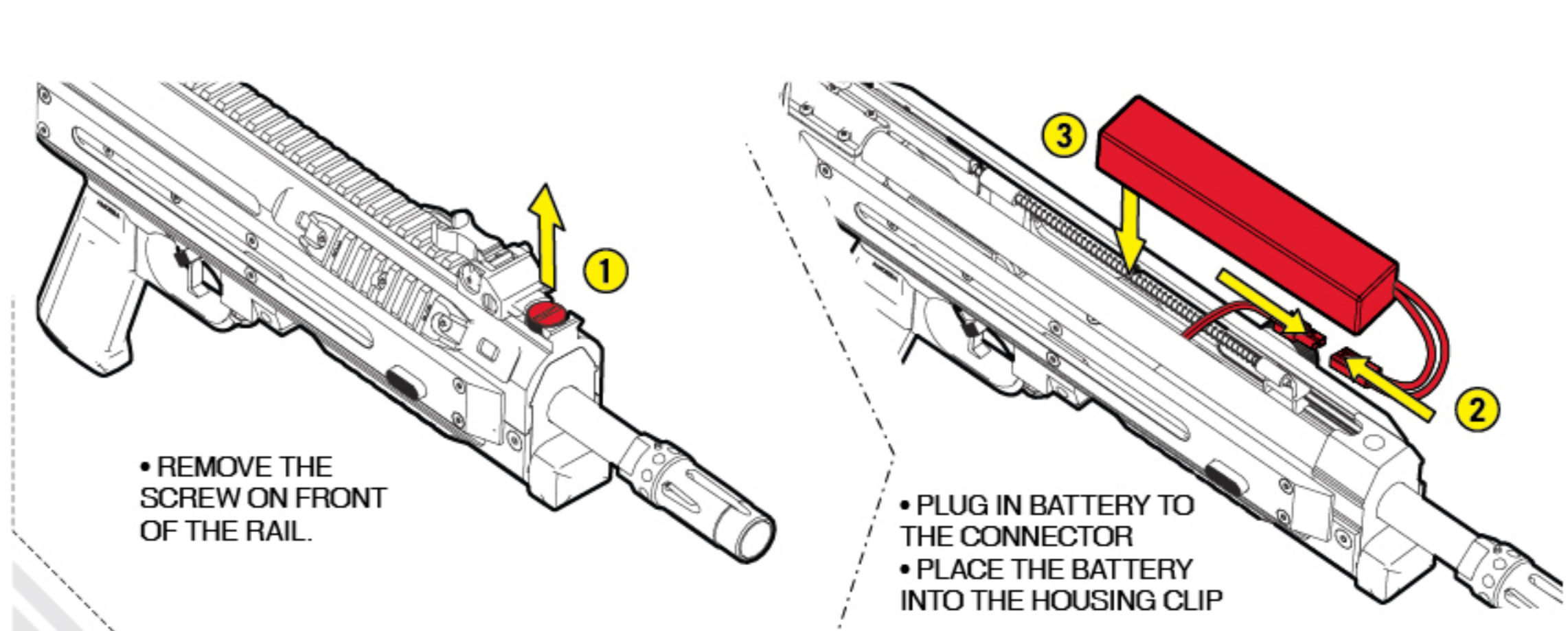
LOADING MAGAZINE



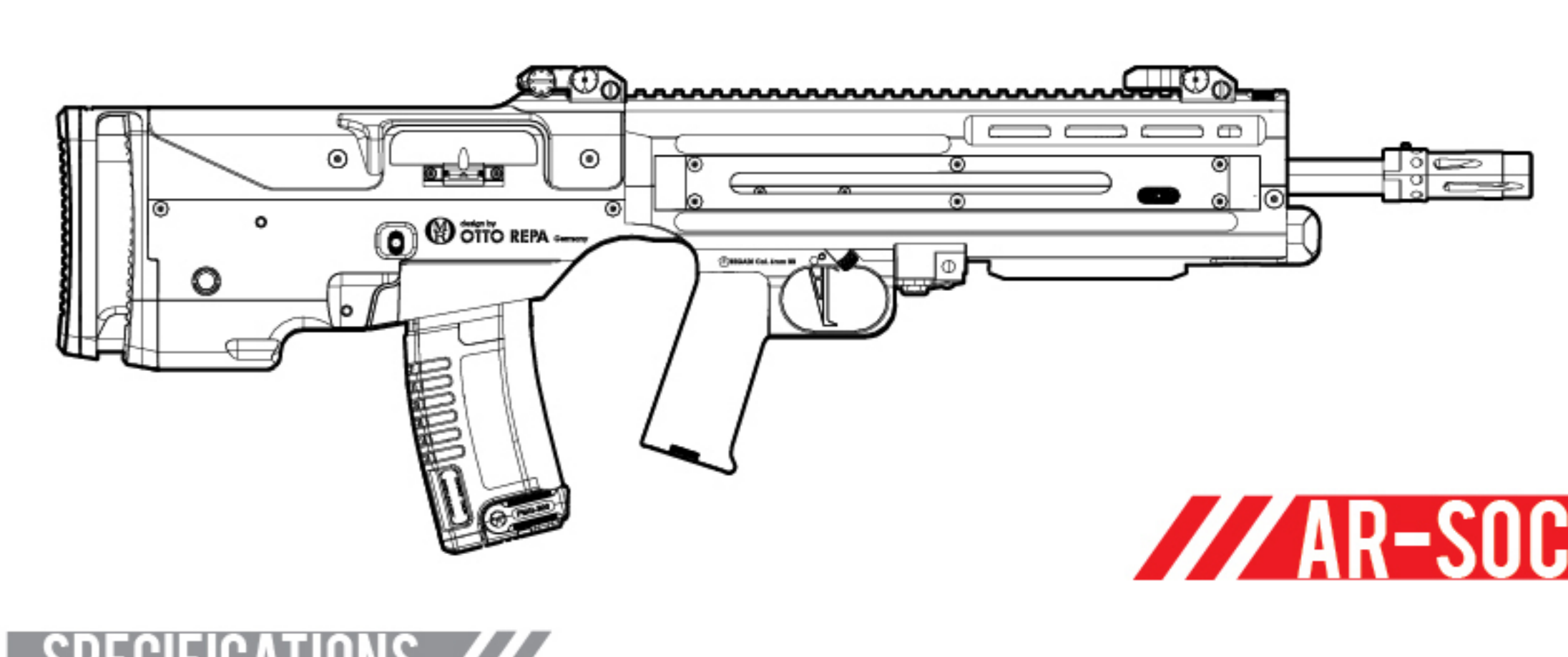
INSERT/RELEASE MAGAZINE



BATTERY INSTALLATION



PRODUCT FEATURES



SPECIFICATIONS

POWER SOURCE:	11.1V LIPO RECOMMENDED
LENGTH:	730MM
WEIGHT:	4020g
MAGAZINE CAPACITY:	AR STYLE 300 ROUNDS (6MM BB)
FIRE MODE:	SINGLE / 2 RDS BURST / FULL AUTO
MATERIAL:	CNC 6063 ALUMINUM + METAL
HOP-UP:	ADJUSTABLE
VELOCITY:	ACCORDING TO YOUR LOCAL REGULATION

SAFETY INSTRUCTIONS

READ ALL INSTRUCTIONS BEFORE USE!

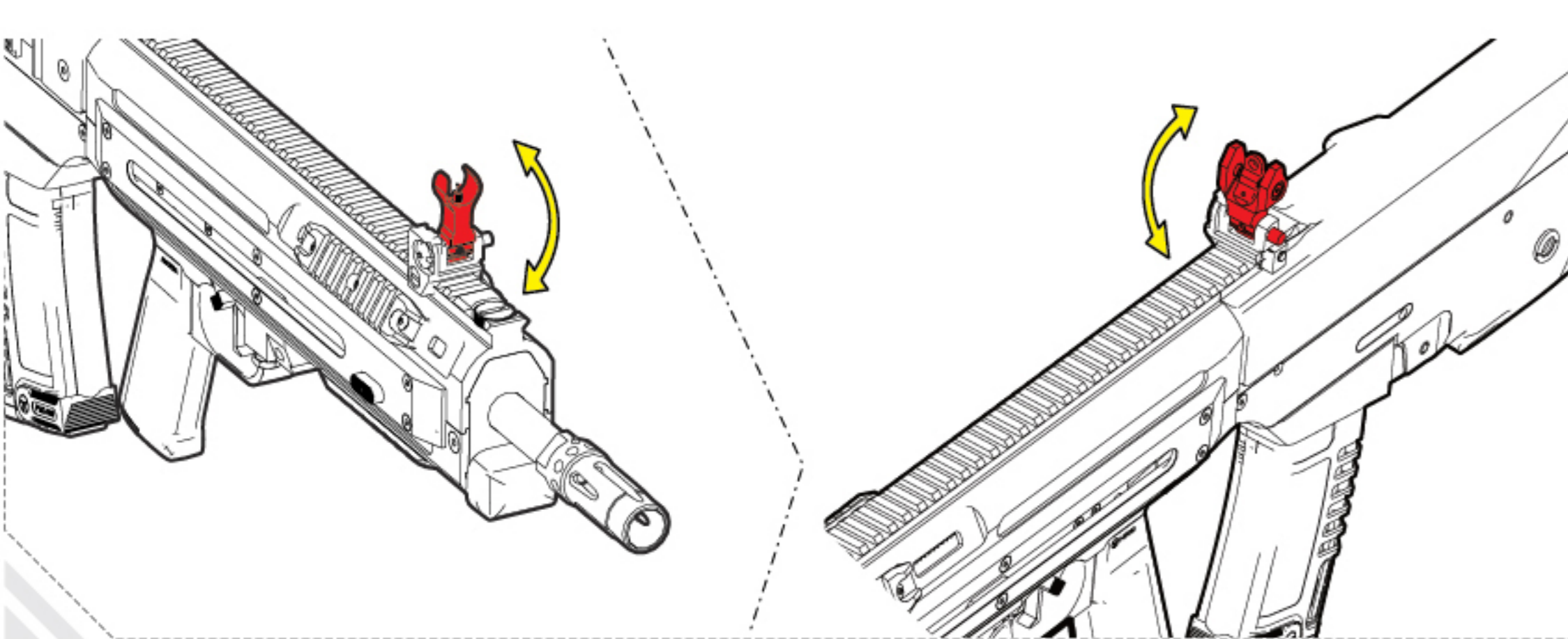
- FOR ADULT USE ONLY. NOT TO BE OPERATED BY MINORS UNDER THE AGE OF 18.
- NEVER MODIFY OR ALTER YOUR AIRSOFT GUN. Attempts to modify the airsoft gun in any way could make your airsoft gun unsafe to use, cause serious injury or death, and will void the warranty.
- Misuse of Airsoft Guns is dangerous and can cause serious injury or death. Always treat an Airsoft gun as if it were a real firearm.
- NEVER look into the gun's muzzle.
- NEVER point the Airsoft gun at anything you do not intend to shoot.
- NEVER shoot at targets that may cause the BB to bounce off, such as hard surfaces that could produce a ricochet.
- ALWAYS ensure the operator and everyone nearby are wearing appropriate eye protection.
- ALWAYS ensure the fire-selector is on "SAFE" until you are ready to shoot.
- ONLY shoot the airsoft gun in designated area, towards a safe direction, using sufficient backstop.

GENERAL PRECAUTIONS

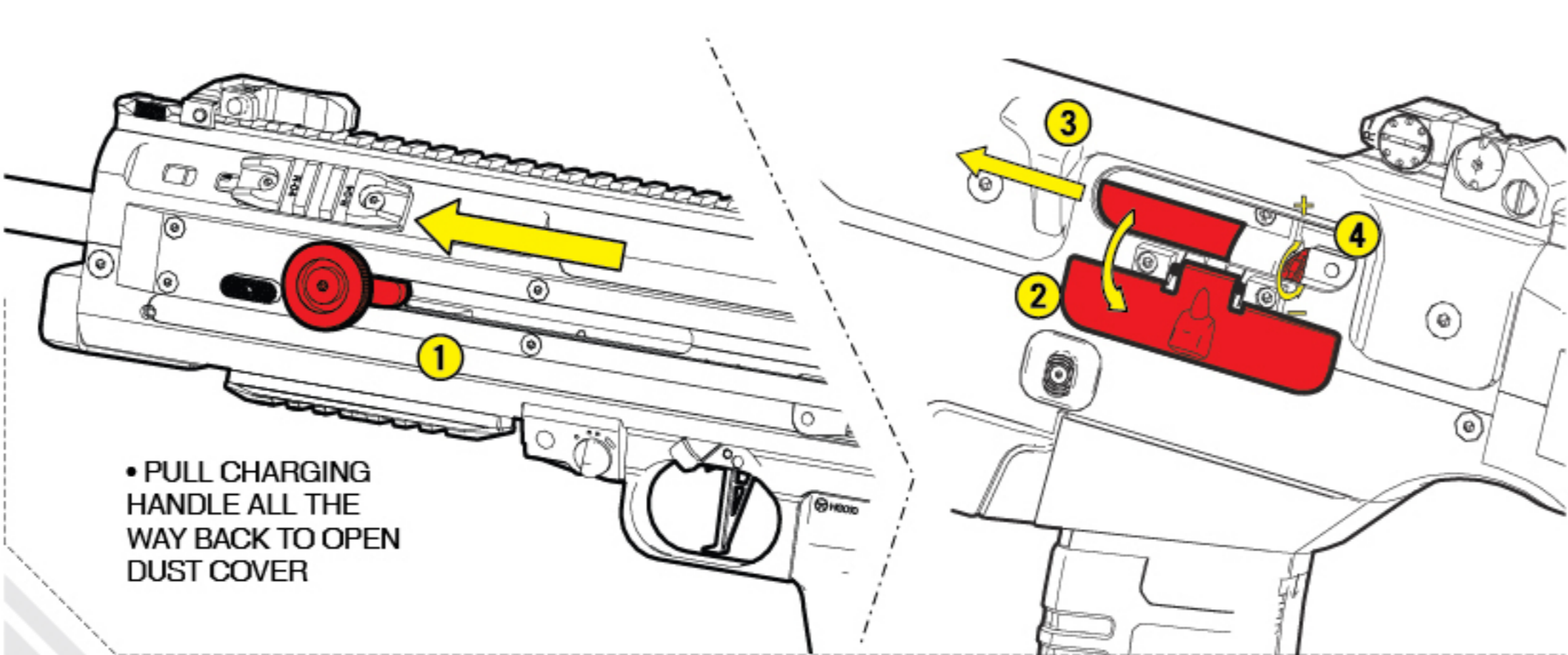
- This merchandise does not contain any internal components compatible or interchangeable with a real firearm.
- This merchandise cannot accept firing components from a real firearm, nor be able to chamber / fire real ammunition.
- This merchandise is designed to function safely with 6mm airsoft ammunition. ONLY use high-quality precision plastic BBs designed for lower velocity guns.
- NEVER reuse a BB that is dirty, has been shot from the gun, or otherwise deformed.
- Use of contaminated or imperfect BBs could damage your gun.
- ALWAYS transport Airsoft Guns in its original box or an appropriate gun case.
- NEVER carry the gun in plain sight.
- ALWAYS store the airsoft gun unloaded, and out of reach by children.
- Using unauthorized repair centers or modifying the function of your airsoft gun in any way may be unsafe and void your warranty.
- The manufacturer, distributor, and retailers are not liable for any malfunction, accidents, injuries or repair cost resulting from misuse, or by disassembly and modification of the airsoft gun.

CAUTION TO PREVENT BATTERY POWER DRAINAGE, BATTERY MUST BE UNPLUGGED AND STORED SEPARATELY FROM AIRSOFT GUN AFTER USE.

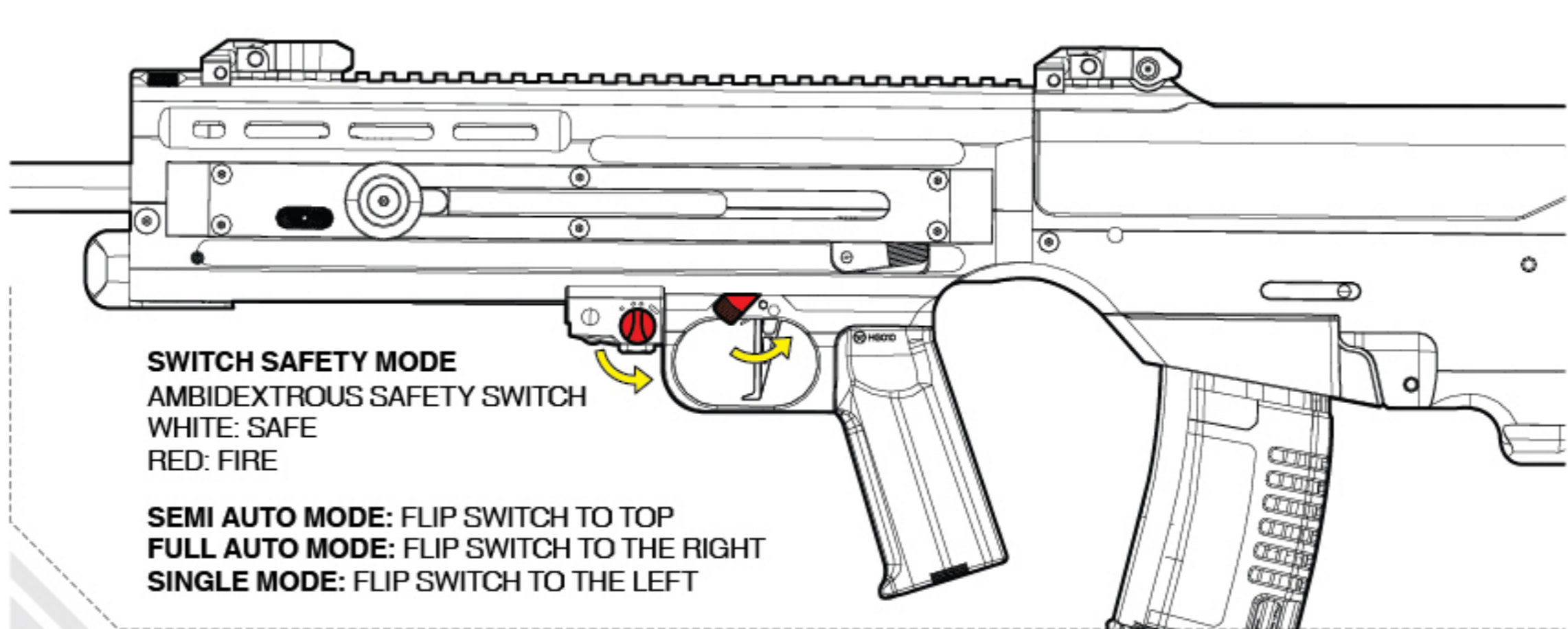
FLIP-UP SIGHT



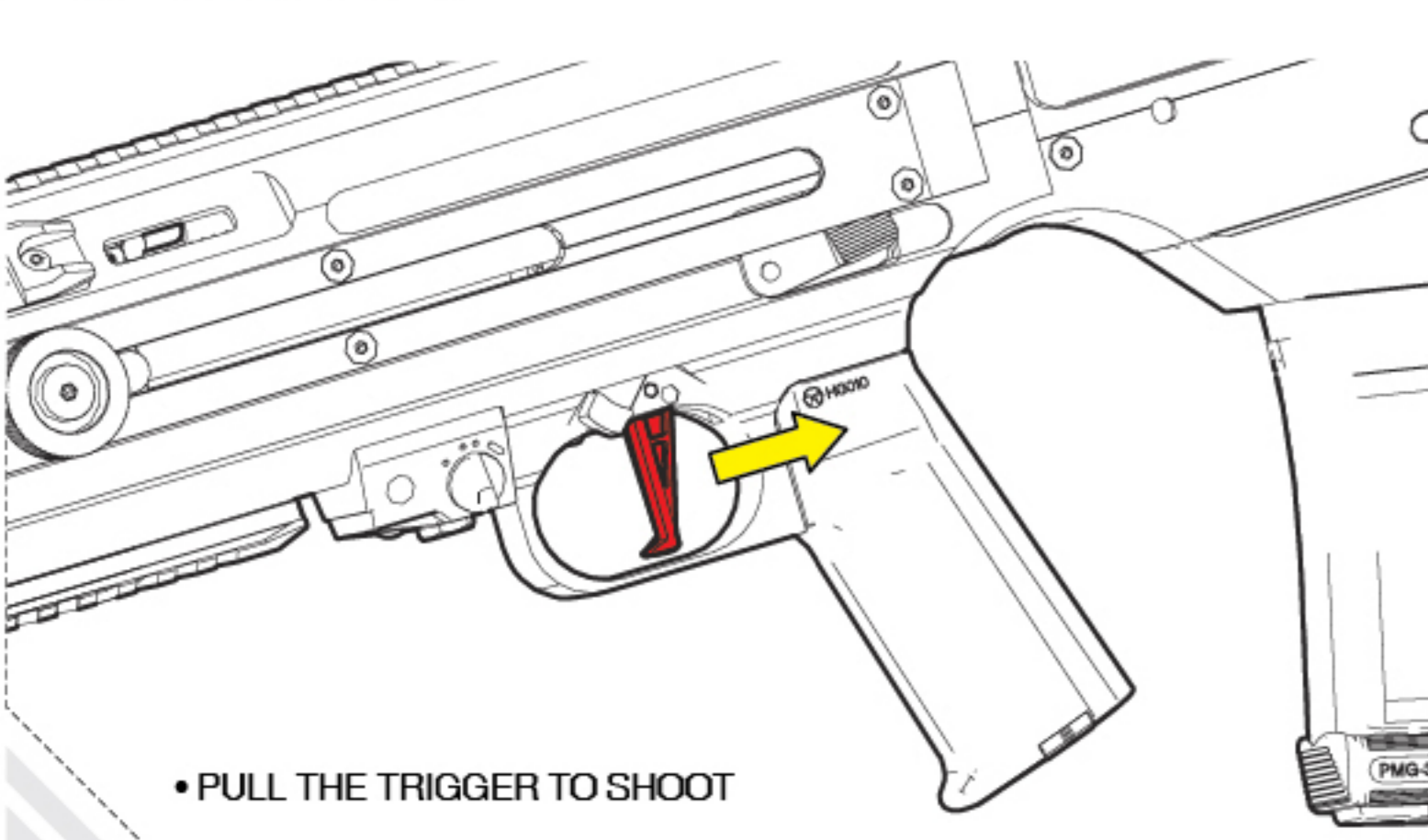
HOP-UP ADJUSTMENT



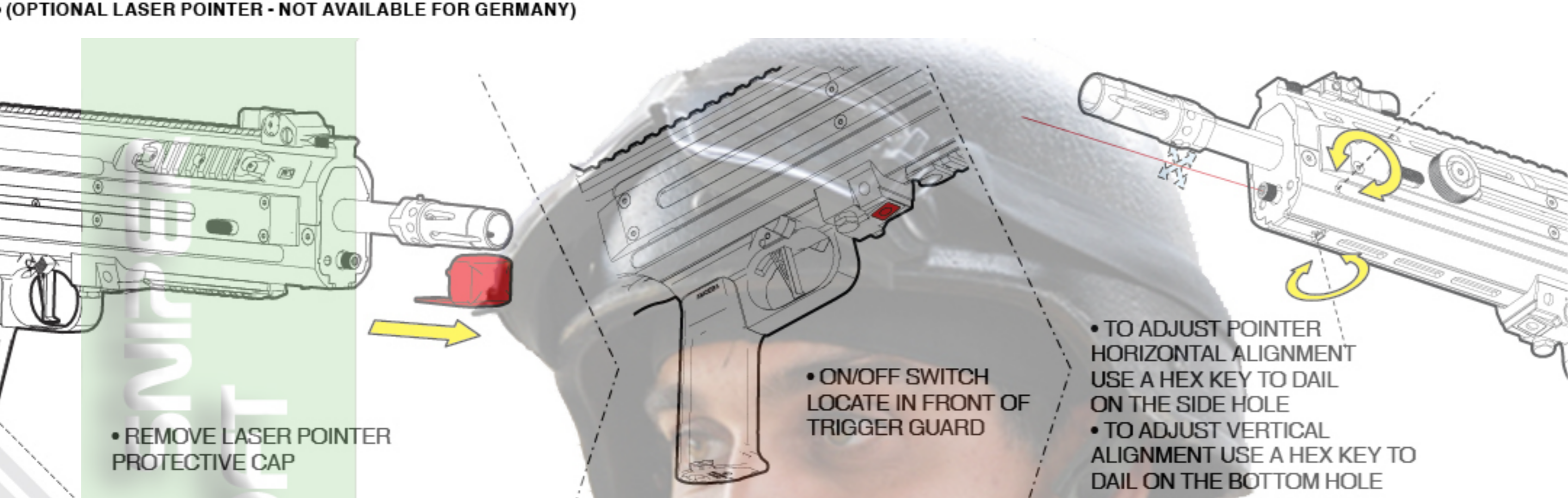
SWITCH FIRE MODE



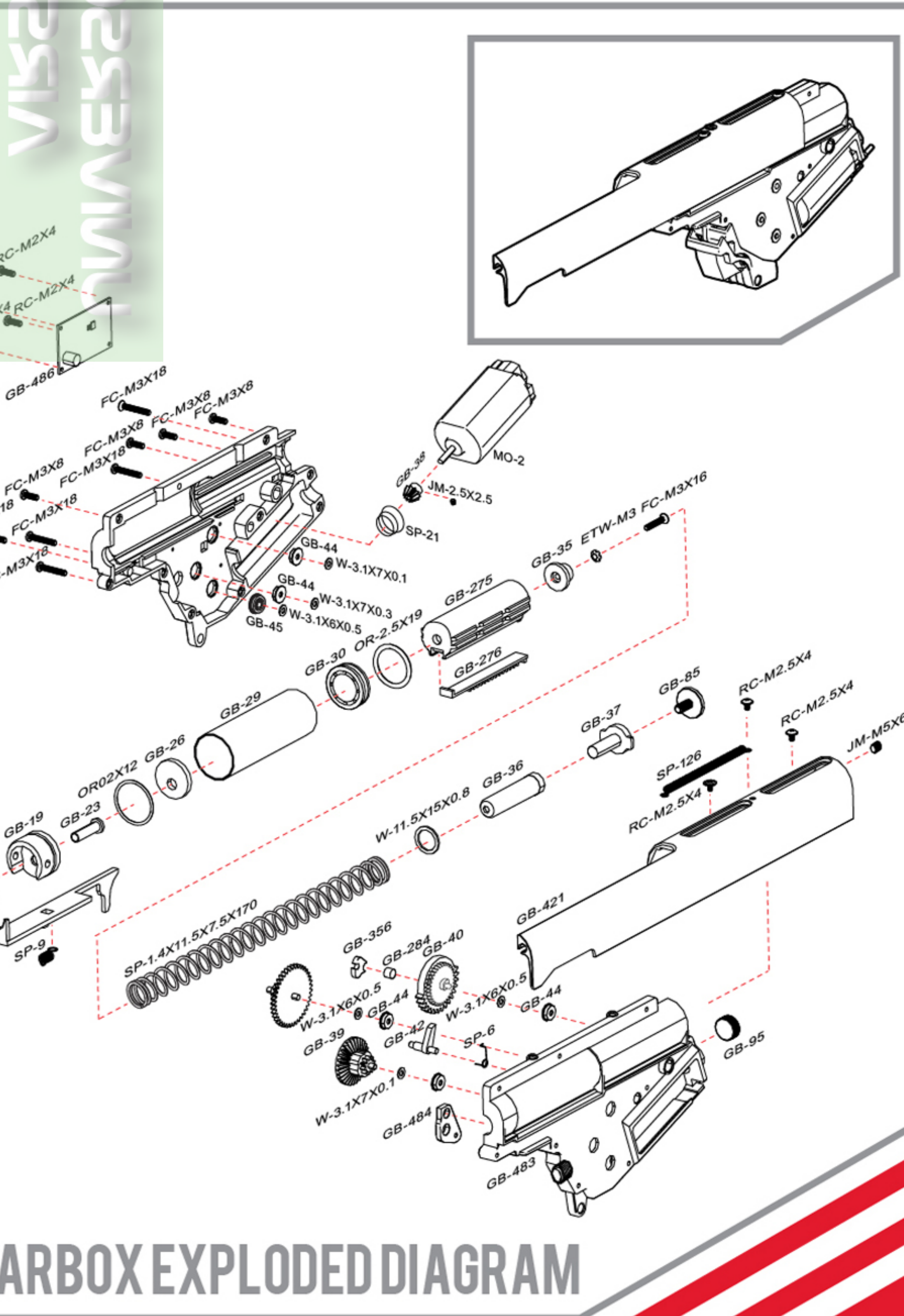
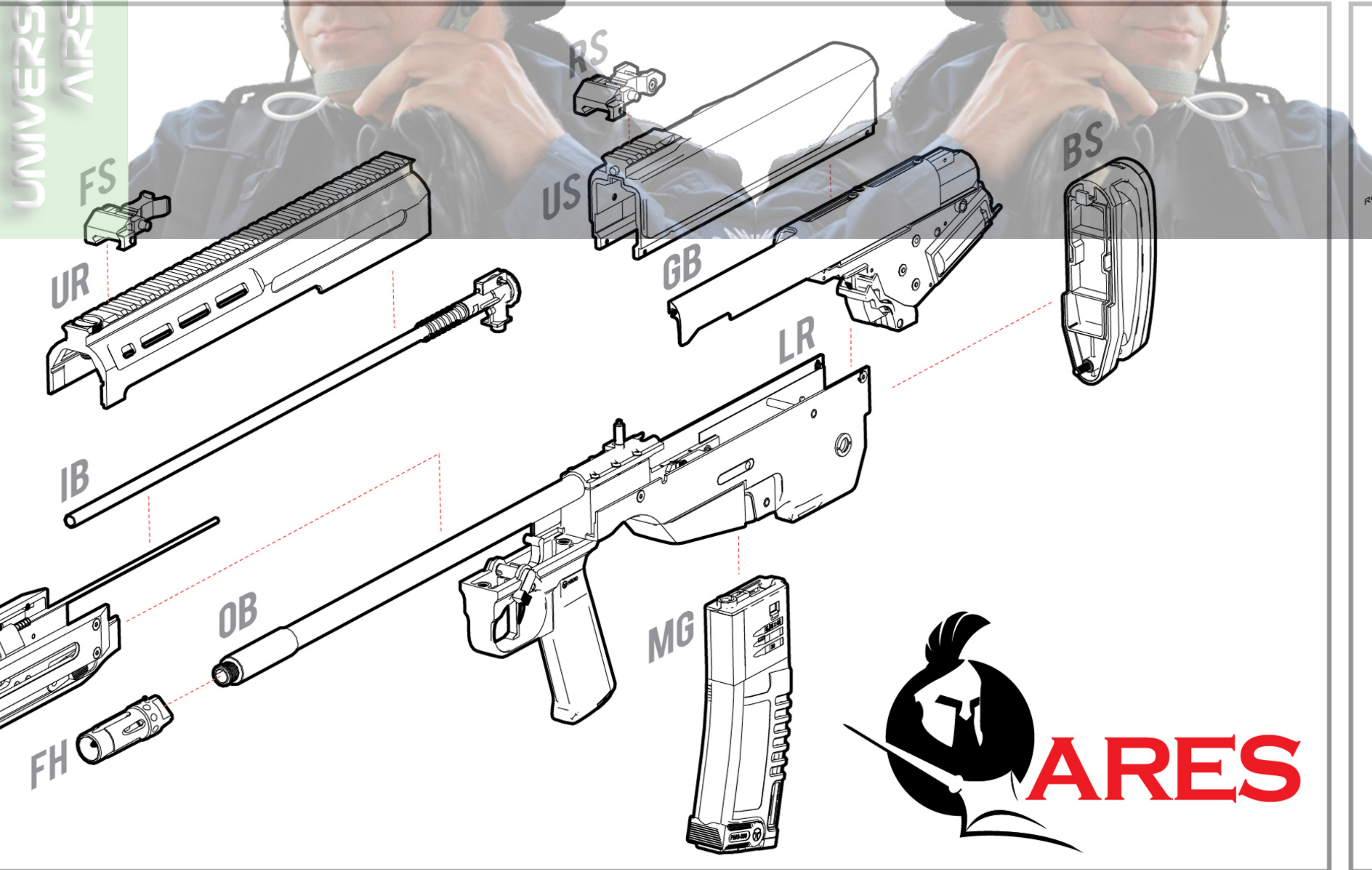
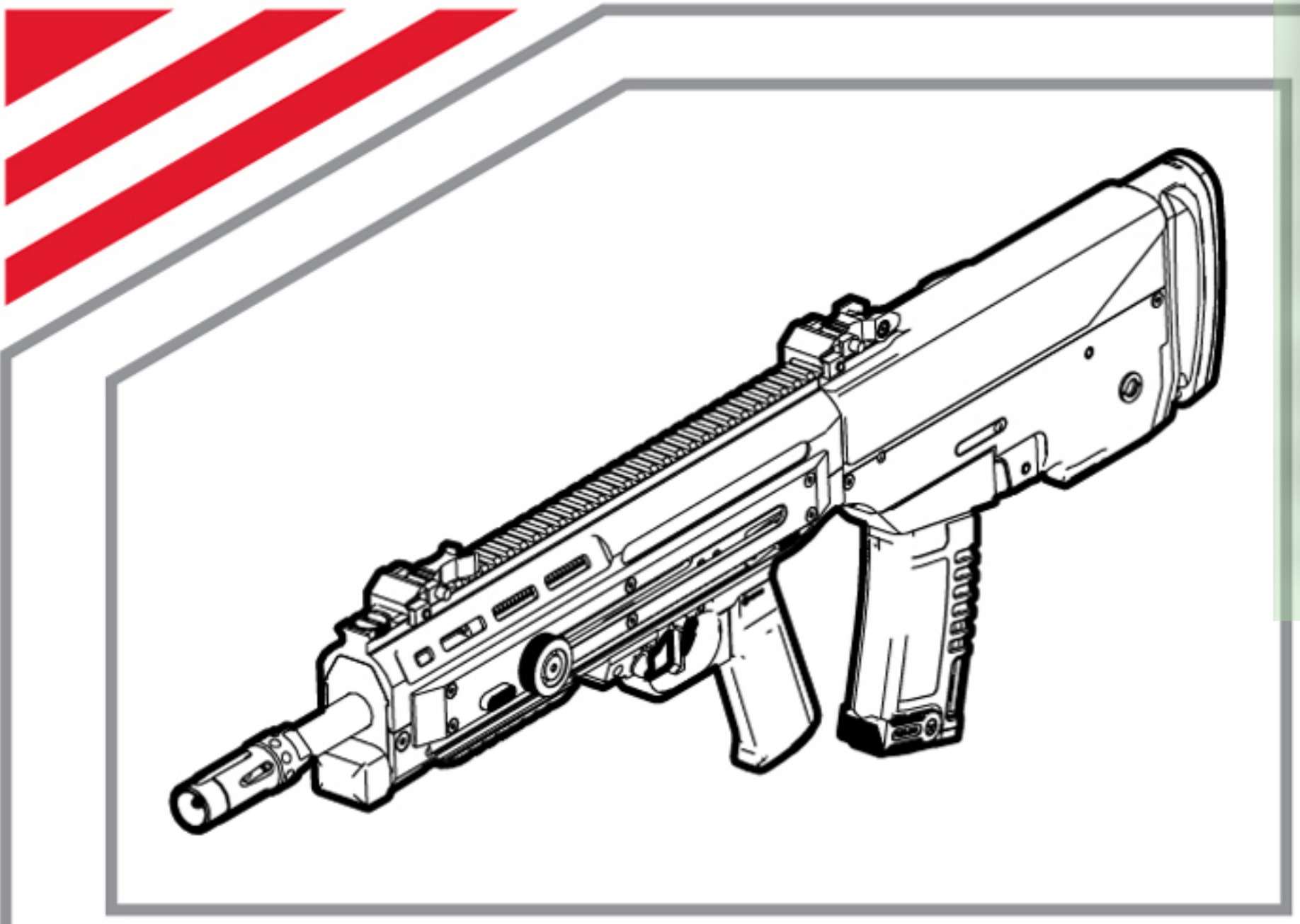
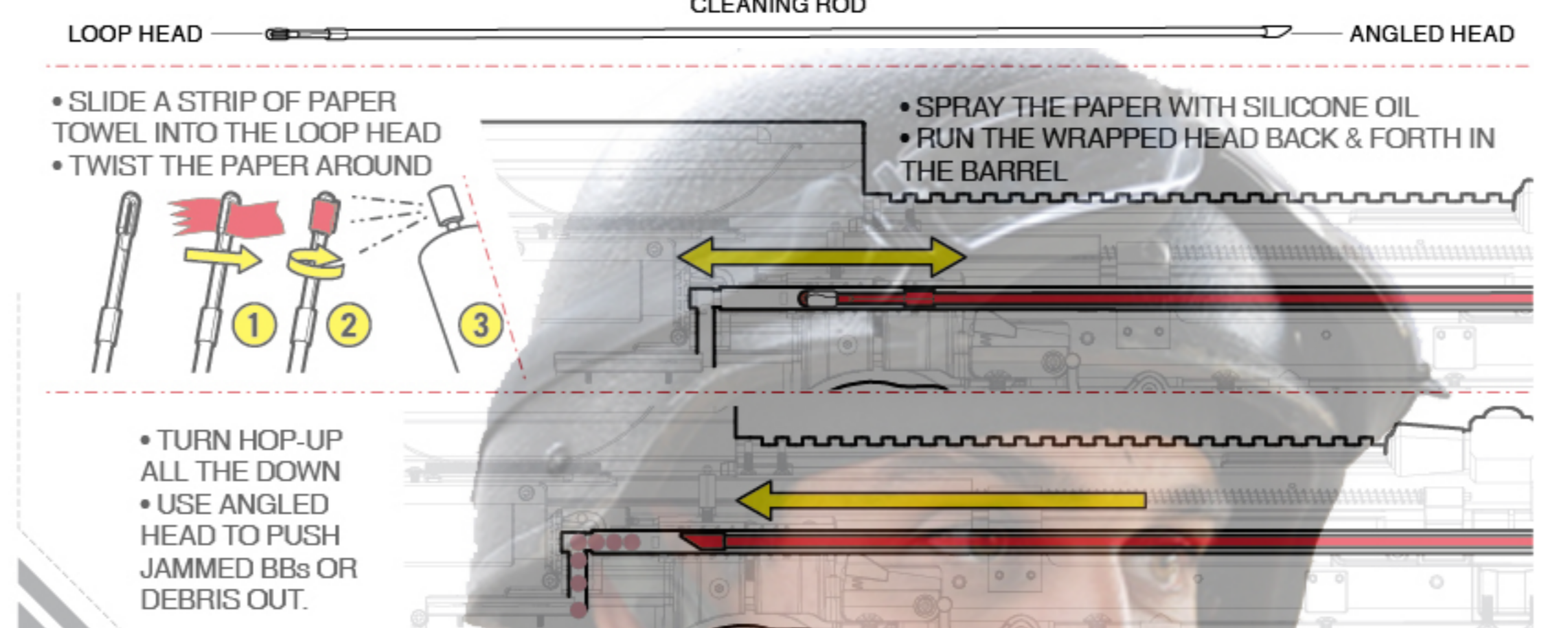
TO SHOOT



OPERATE LASER POINTER



CLEAN / CLEAR JAMMED BARREL



AR-SOC



GEARBOX EXPLODED DIAGRAM