

LOADING MAGAZINE

- PLUG FEEDING TUBE INTO THE BB EXIT SLOT OF THE MAGAZINE
- SLIDE LOADING ROD INTO FEEDING TUBE TO PRESS BB INTO MAGAZINE
- PULL RELEASE TO REMOVE MAGAZINE STRIP

HOP-UP ADJUSTMENT

- USE A HEX KEY TO ADJUST HOP-UP
- DIAL CLOCKWISE FOR MORE HOP-UP
- DIAL COUNTER-CLOCKWISE FOR LESS HOP-UP

LOWER HANDGUARD ADJUSTMENT

- PRESS THE BUTTON TO ADJUST POSITION

CHEEK PAD ADJUSTMENT

- PRESS LEVER TO ADJUST POSITION

BUTT STOCK ADJUSTMENT

- PRESS LEVER TO ADJUST POSITION

INSERT/RELEASE MAGAZINE

- INSERT INTO MAGAZINE WELL
- PRESS RELEASE BUTTON TO RELEASE MAGAZINE

SWITCH FIRE MODE

- AMBIDEXTOUS FIRE MODE SWITCH
- SAFE MODE: FLIP SWITCH TO RIGHT
- FIRE MODE: FLIP SWITCH TO LEFT

TO SHOOT

- PULL THE TRIGGER TO SHOOT

BUTT STOCK ADJUSTMENT

- PULL LEVER TO ADJUST POSITION

LOADING OPERATION

- LIFT THE COCKING HANDLE UP
- PULL COCKING HANDLE BACKWARD
- PUSH BOLT BACK TO ITS ORIGINAL POSITION
- PUSH THE COCKING HANDLE BACK DOWN

BIPOD ADJUSTMENT

- PULL AND LOWER BIPOD STAND
- LIFT PIN TO ADJUST BIPOD POSITION

MONO POD ADJUSTMENT

- ROTATE TO EXTEND MONO POD
- PULL AND LOWER BIPOD STAND

PRODUCT FEATURES

- ADJUSTABLE BUTT STOCK
- ADJUSTABLE MONO POD
- ADJUSTABLE LOWER HANDGUARD
- FLASH HIDER
- AMBIDEXTROUS SAFETY SWITCH
- ADJUSTABLE BIPOD
- TOP RAIL
- SPRING BOLT
- HOP-UP
- MAGAZINE
- GRIP
- TRIGGER
- MAGAZINE RELEASE CATCH
- MAGAZINE
- MAGAZINE RELEASE CATCH
- BUTT STOCK RELEASE

DSR-1

SPECIFICATIONS

POWER SOURCE :	BOLT ACTION 134A-GAS
LENGTH :	960mm
WEIGHT :	6900g
MAGAZINE CAPACITY :	20 rounds
FIRE MODE :	SAFE / SINGLE
MATERIAL :	CNC 6036 ALUMINUM METAL
HOP-UP :	ADJUSTABLE
VELOCITY :	ACCORDING TO YOUR LOCAL REGULATION

SAFETY INSTRUCTIONS

READ ALL INSTRUCTIONS BEFORE USE!

- FOR ADULT USE ONLY. NOT TO BE OPERATED BY MINORS UNDER THE AGE OF 18.
- NEVER MODIFY OR ALTER YOUR AIRSOFT GUN. Attempts to modify the airsoft gun in any way could make your airsoft gun unsafe to use, cause serious injury or death, and will void the warranty.
- Misuse of Airsoft Guns is dangerous and can cause serious injury or death. Always treat an Airsoft gun with the same respect you would towards a real firearm.
- ONLY use high-quality precision plastic BBs designed for 6mm Airsoft guns.
- NEVER reuse a BB that is dirty, has been shot from the gun, or otherwise deformed. Use of contaminated or imperfect BBs could damage your gun.
- ALWAYS transport Airsoft guns in its original box or an appropriate gun case.
- NEVER carry the gun in plain sight.
- ALWAYS store the airsoft gun unloaded, and out of reach by children.
- Using unauthorized repair centers or modifying the function of your airsoft gun in any way may be unsafe and will void your warranty.
- The manufacturer, distributors, and retailers are not liable for any malfunction, accidents, injuries or repair cost resulting from misuse, or by disassembly and modification of the airsoft gun.

SAFETY CONSIDERATIONS

- NEVER look into the gun's muzzle.
- NEVER point the Airsoft gun at anything you do not intend to shoot.
- NEVER shoot at targets that may cause the BB to bounce off, such as hard surface that could produce a ricochet.
- ALWAYS ensure the operator and everyone nearby are wearing appropriate eye protection.
- ALWAYS ensure the fire-selector is on "SAFE" until you are ready to shoot.
- ONLY shoot the airsoft gun in designated area, towards a safe direction, using a sufficient backstop.

GENERAL PRECAUTIONS

- This merchandise does not contain any internal components compatible or interchangeable with a real firearm.
- This merchandise cannot accept firing components from a real firearm, nor be able to chamber / fire real ammunition.
- This merchandise is designed to function solely with 6mm airsoft ammunition.
- NEVER use high-quality precision plastic BBs designed for 6mm Airsoft guns.
- NEVER reuse a BB that is dirty, has been shot from the gun, or otherwise deformed. Use of contaminated or imperfect BBs could damage your gun.
- ALWAYS transport Airsoft guns in its original box or an appropriate gun case.
- NEVER carry the gun in plain sight.
- ALWAYS store the airsoft gun unloaded, and out of reach by children.
- Using unauthorized repair centers or modifying the function of your airsoft gun in any way may be unsafe and will void your warranty.
- The manufacturer, distributors, and retailers are not liable for any malfunction, accidents, injuries or repair cost resulting from misuse, or by disassembly and modification of the airsoft gun.

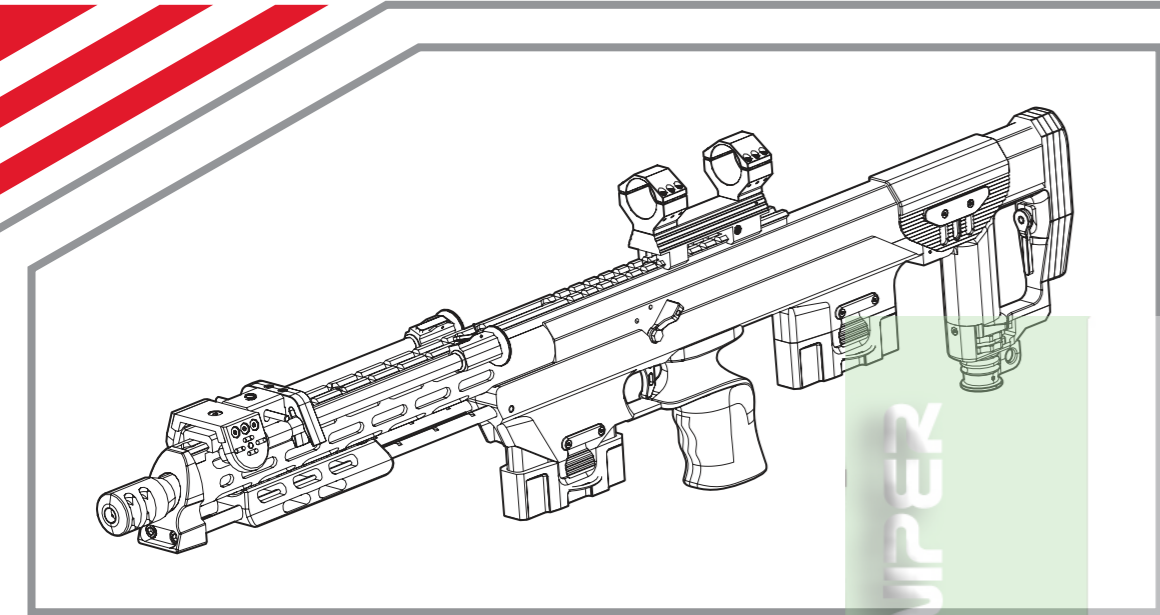
CAUTION TO PREVENT BATTERY POWER DRAINAGE, BATTERY MUST BE UNPLUGGED AND STORED SEPARATELY FROM AIRSOFT GUN AFTER USE.

Divisions of Forever Good (Hong Kong) Ltd.



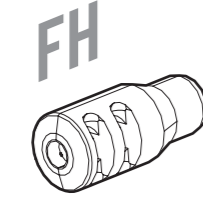
FOR GENERAL ENQUIRY, CONTACT US AT
ARES@ARES-AIRSOFT.COM
 FOR THE LATEST NEWS AND PRODUCT INFORMATION, VISIT US AT
WWW.ARES-AIRSOFT.COM
ARES-AIRSOFT
 © ARES-AIRSOFT. ALL RIGHTS RESERVED.



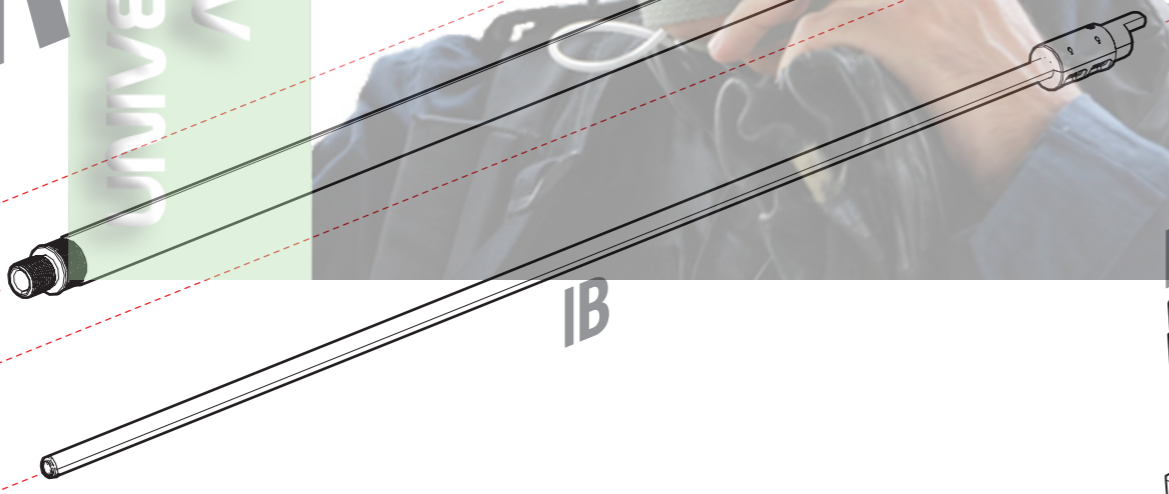


DSR

UNIVERSO SNIPER
AIRSOFT

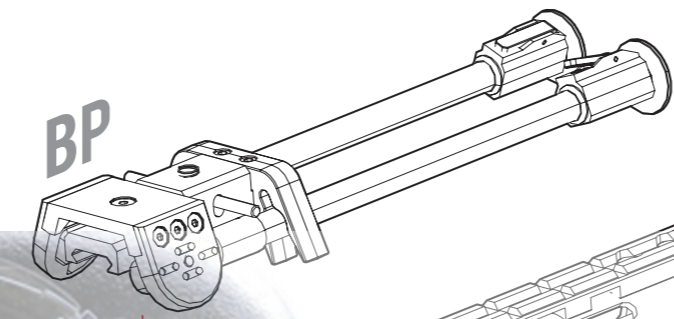
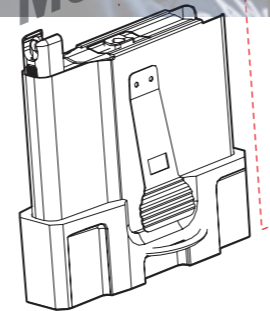


IB

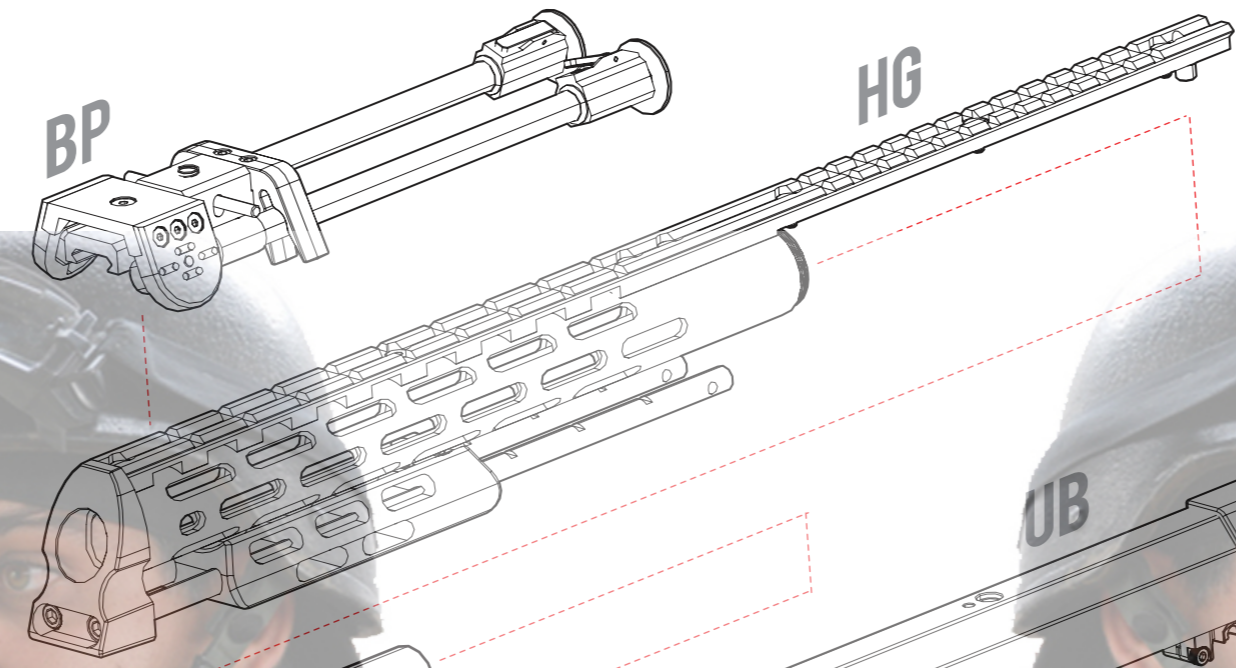


OB

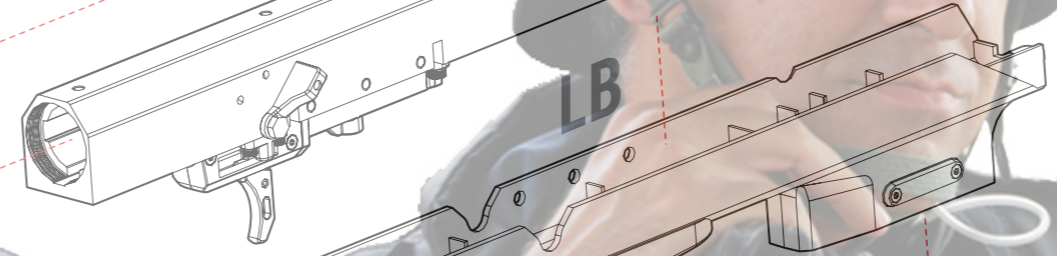
MG



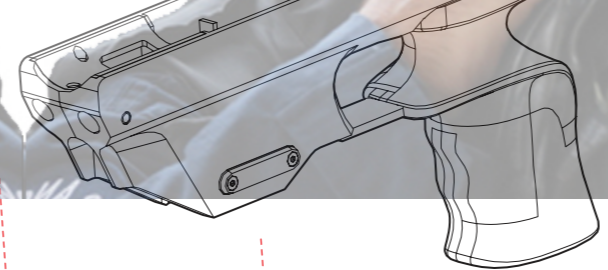
BP



HG

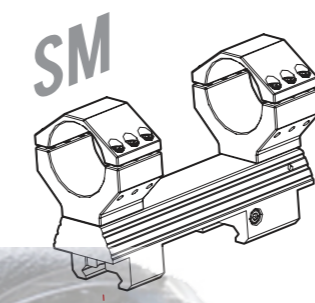
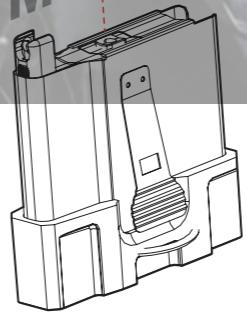


LB

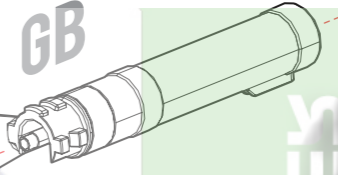


UB

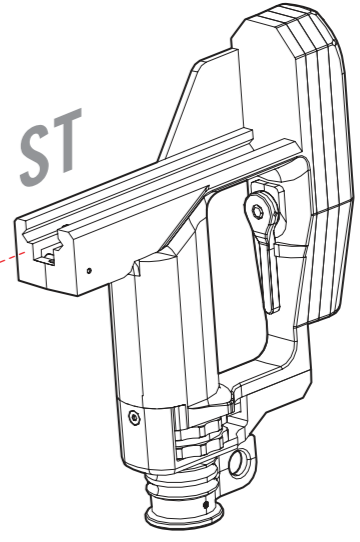
MG



SM



GB



ST

UNIVERSO SNIPER
AIRSOFT



ARES