

# ARES SR-008



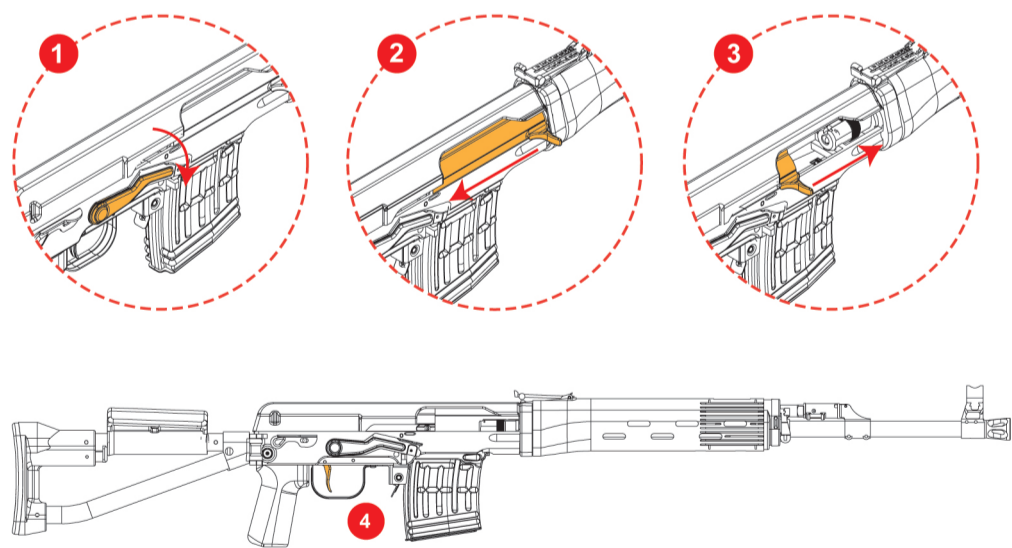
Spring Power Airsoft Gun Instruction Manual • Always read through this manual before operation



THE REPLACEMENT PARTS WILL BE AVAILABLE AT OURS LOCAL DISTRIBUTOR AND DEALERS

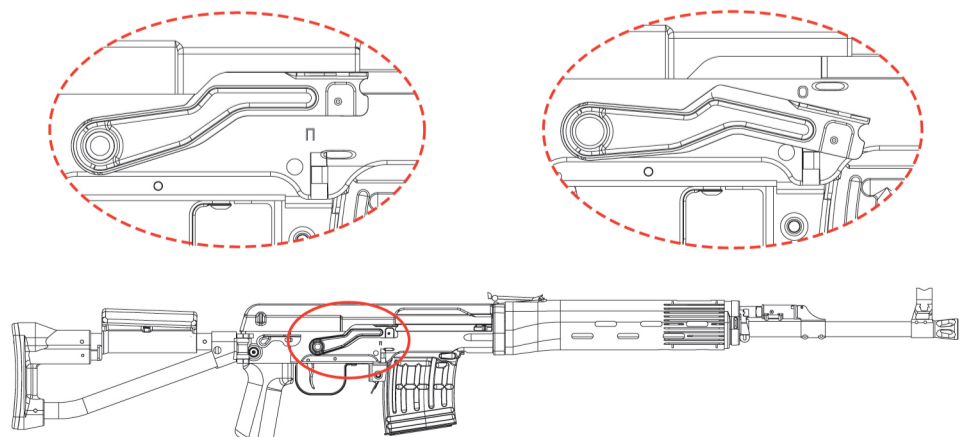
## FIRING MODE / SAFETY

1. Switch to firing mode
2. Pull the cocking lever
3. return the cocking lever to activate the bolt
4. One shot is available and pull the trigger to fire
5. Repeat Step 1~4 for another shots



SAFETY

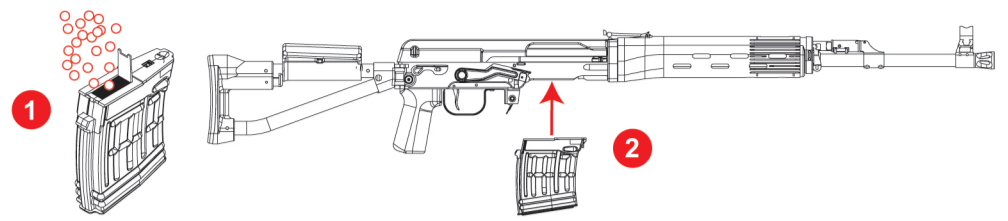
FIRE



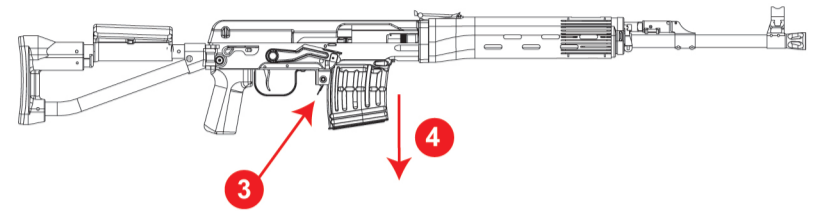
THE REPLACEMENT PARTS WILL BE AVAILABLE AT OURS LOCAL DISTRIBUTOR AND DEALERS

## SETTING MAGAZINE

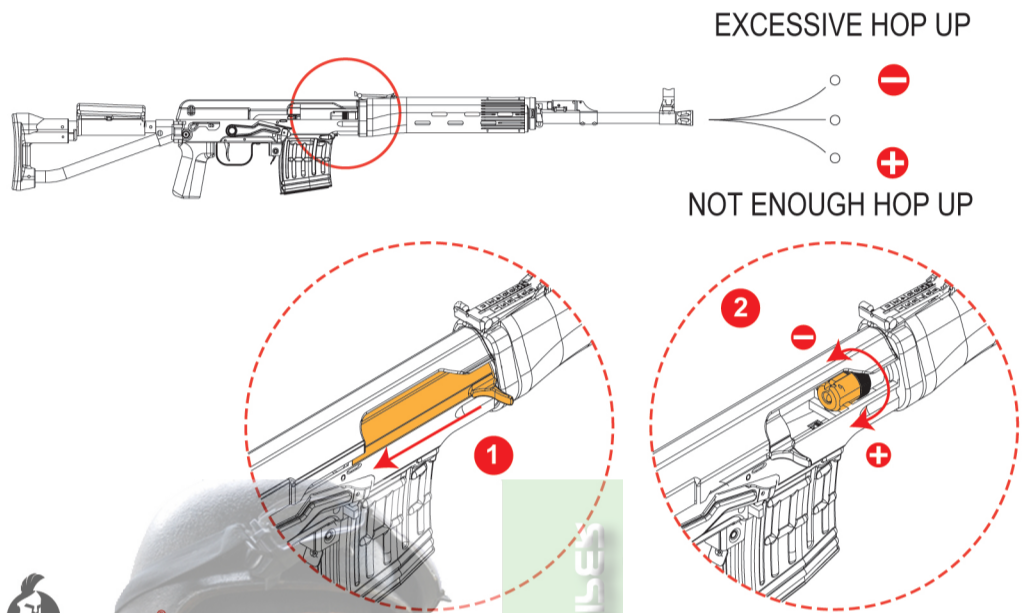
### Installing Magazine



### Detaching Magazine

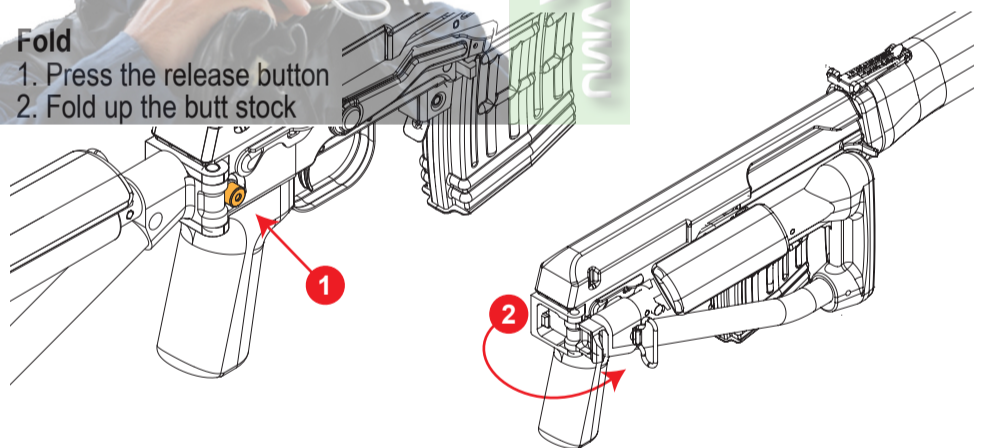


## HOP UP ADJUSTMENT

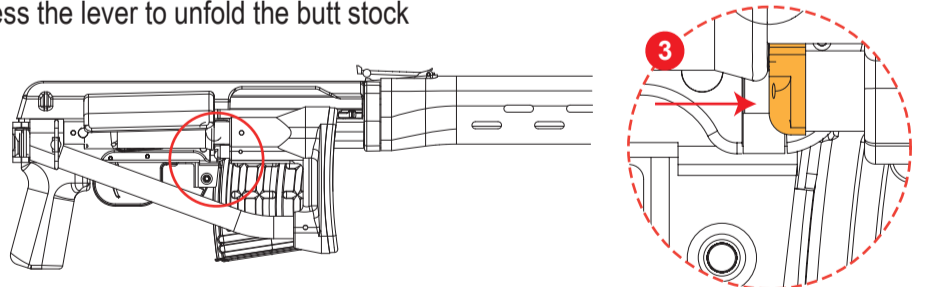


## FOLDING STOCK

- Fold**
1. Press the release button
  2. Fold up the butt stock

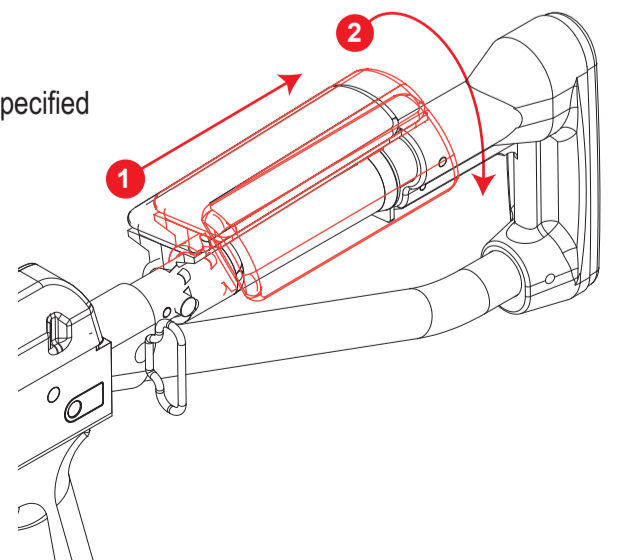


- Unfold**
3. Press the lever to unfold the butt stock



## CHEEK PAD ADJUSTMENT

1. Pull the cheek pad backward
2. Rotate the cheek pad to the specified position and release to lock.

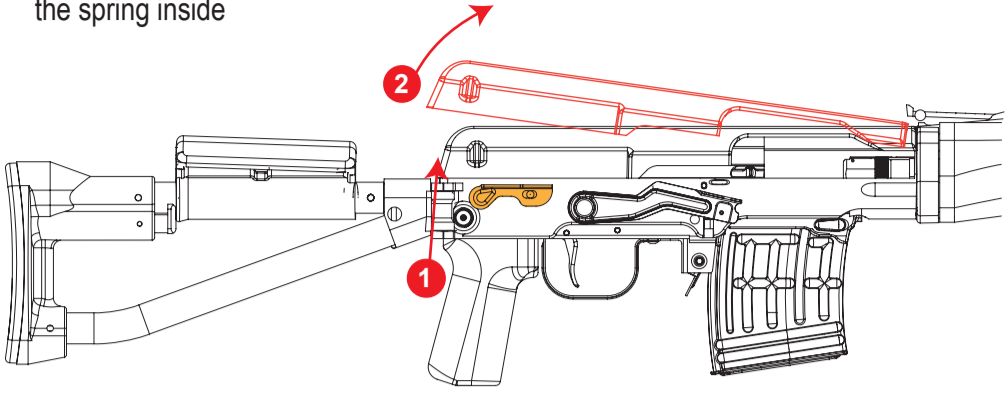


THE REPLACEMENT PARTS WILL BE AVAILABLE AT OURS LOCAL DISTRIBUTOR AND DEALERS



# POWER UPGRADE

1. Push the lever upward to unlock the cover
2. Remove the cover to change the spring inside



## SAFETY

- DO NOT MODIFY OR ALTER YOUR AIRSOFT GUN. Attempts to modify the airsoft gun in way may make your airsoft gun unsafe to use, cause serious injury or death and will void the warranty.
- Always check to see if the airsoft gun is "ON SAFE" and unloaded when getting it from another person or from storage.
- Always keep the airsoft gun "ON SAFE" until you are ready to shoot in a SAFE DIRECTION.
- Misuse or careless use may cause serious injury.
- Do not look into the gun muzzle.
- Do not ever point the airsoft gun at anything you do not intend to shoot.
- You and other with you should always wear shooting glasses to protect your eyes.
- If your reading or prescription glasses are not safety glasses, make sure you wear shooting glasses over your regular glasses.
- Do not put the airsoft gun away loaded. Make sure ALL of the plastic BBs are unloaded from the airsoft gun.
- Do not shoot at hard surfaces or at the surface of water. The plastic BBs may bounce off or ricochet and hit someone or something you had not intended to hit. If the plastic BBs should happen to hit a hard surface, do not reuse those plastic BBs because they could cause possible damage to your airsoft gun.
- Use 6 mm plastic BBs only.
- Always put the airsoft gun in a case or bag when you carrying it.
- Always store this airsoft gun in a secure location and at the places out of reach by children.
- Always treat the airsoft gun as though it is loaded and with the same respect you would a firearm.
- Using unauthorized repair centers or modifying the function of your airsoft gun in any way may be unsafe and will void your warranty.
- We are not responsible for any malfunction, accidents, injuries or repair cost resulting from misuse, or by disassembly and modification of the airsoft gun.



### DATA OF ARES SR-008 SPRING POWERED AIRSOFT GUN

#### SR-008



#### FEATURES

- Full Metal Body
- One Piece Aluminum Outer Barrel
- Nylon Fiber Handguard
- Adjustable Cheek Pad
- Steel Folding Stock

<b>POWER:</b>	Spring Power
<b>MAGAZINE CAPACITY:</b>	200rds (6mm BB)
<b>MODE:</b>	Semi Auto / Safe
<b>MATERIAL:</b>	Nylon Fiber + Al. Alloy + Zinc. Alloy
<b>HOP-UP:</b>	Match Grade Adjustable
<b>LENGTH:</b>	850 / 1100mm (Folding Stock)
<b>WEIGHT:</b>	3500g
<b>VELOCITY:</b>	325-425FPS

Manufacturer & Brand Owner : Forever Good (Hong Kong) Ltd.



Worldwide:

Ares Website: <http://www.aresairsoft.com>  
General Enquiries: [ares@aresairsoft.com](mailto:ares@aresairsoft.com)

North America: ZShot  
Exclusive Distributor - <http://www.ZShot.com>

Dealer Inquires: [Sales@ZShot.com](mailto:Sales@ZShot.com) Technical Support: [Support@ZShot.com](mailto:Support@ZShot.com)

© Ares 2011, all rights reserved

FOR MORE DETAIL INFORMATION PLEASE VISIT OUR WEBSITE

