



ATTACH BARREL & BIPOD TO THE BODY



INSTALLING ACTION BOLT

DATA OF ARES EDM200 SPRING GUN

USER RESTRICTED TO 18 YEARS OF AGE OR OLDER



FEATURES

- Folding Bipod
- QD Barrel
- Retractable Butt Stock
- Adjustable Cheek Piece
- ARES TX System
- Gas / Spring / CO2 / Paintball

POWER:	Spring
MAGAZINE CAPACITY:	150rds
MODE:	Bolt Action Single
MATERIAL:	Nylon Fiber + Al.Alloy
HOP-UP:	Match Grade Adjustable
LENGTH:	1160-1330mm
WEIGHT:	4960g
VELOCITY:	350-380FP

For more detail information please visit our website

ARES EDM200



Airsoft Gun Instruction Manual • Always read through this manual before operation

SAFETY

- Misuse or careless use may cause serious injury.
- Always treat the airsoft gun as though it is loaded and with the same respect you would a firearm.
- Do not look into the gun muzzle.
- Do not ever point the airsoft gun at anything you do not intend to shoot.
- You and other with you should always wear shooting glasses to protect your eyes.
- If your reading or prescription glasses are not safety glasses, make sure you wear shooting glasses over your regular glasses.
- Always put the airsoft gun in a case or bag when you carrying it.
- Always keep the airsoft gun "ON SAFE" until you are ready to shoot in a SAFE DIRECTION.
- Always check to see if the airsoft gun is "ON SAFE" and unloaded when getting it from another person or from storage.
- Do not put the airsoft gun away loaded. Make sure ALL of the plastic BBs are unloaded from the airsoft gun.
- Do not shoot at hard surfaces or at the surface of water. The plastic BBs may bounce off or ricochet and hit someone or something you had not intended to hit. If the plastic BBs should happen to hit a hard surface, do not reuse those plastic BBs because they could cause possible damage to your airsoft gun.
- Use 6 mm plastic BBs only.
- Always store this airsoft gun in a secure location and at the places out of reach by children.
- DO NOT MODIFY OR ALTER YOUR AIRSOFT GUN. Attempts to modify the airsoft gun in way may make your airsoft gun unsafe to use, cause serious injury or death and will void the warranty.
- Using unauthorized repair centers or modifying the function of your airsoft gun in any way may be unsafe and will void your warranty.
- We are not responsible for any malfunction, accidents, injuries or repair cost resulting from misuse, or by disassembly and modification of the airsoft gun.



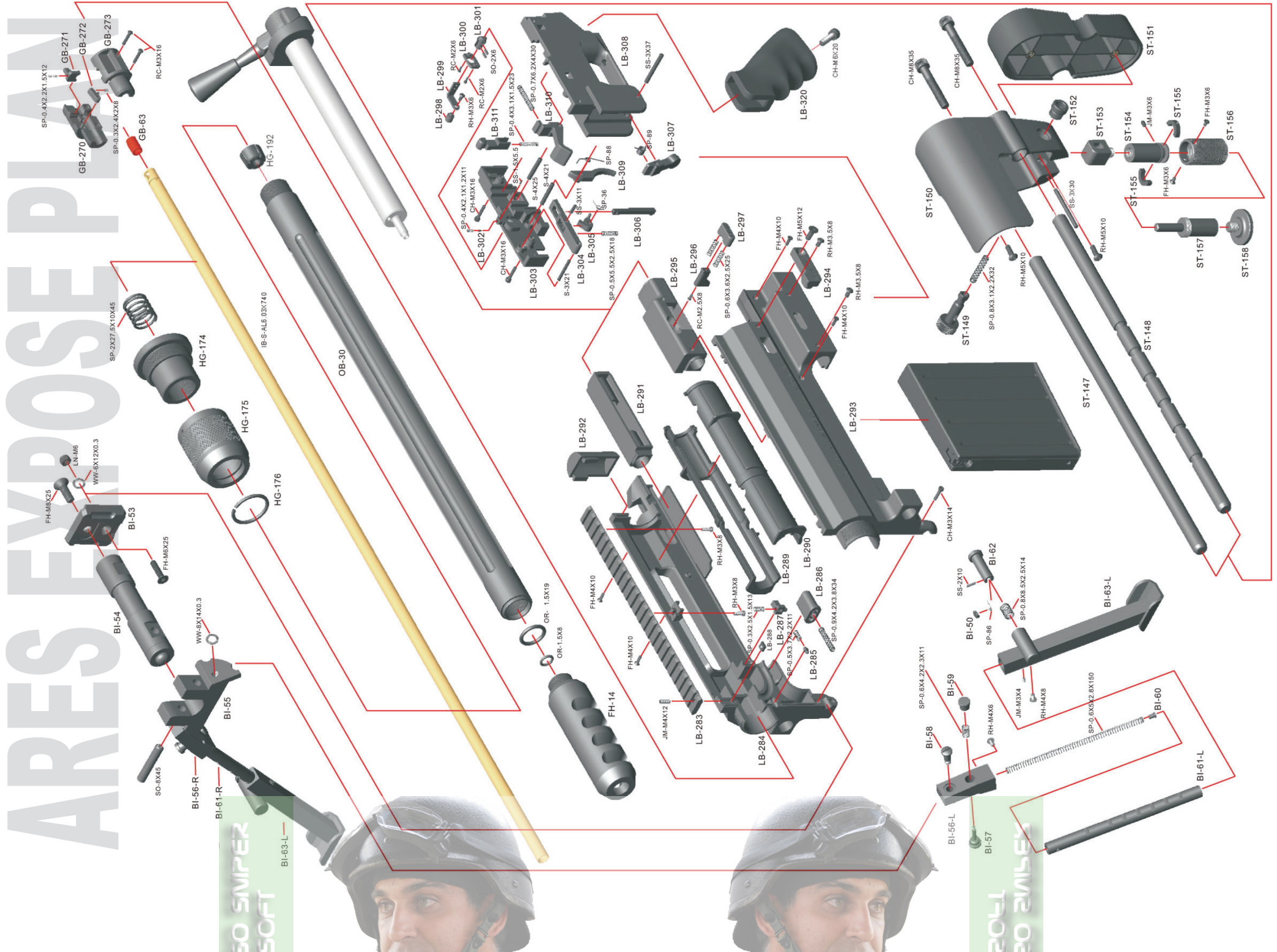
WARNING

THE REPLACEMENT PARTS WILL BE AVAILABLE AT OURS LOCAL DISTRIBUTOR AND DEALERS

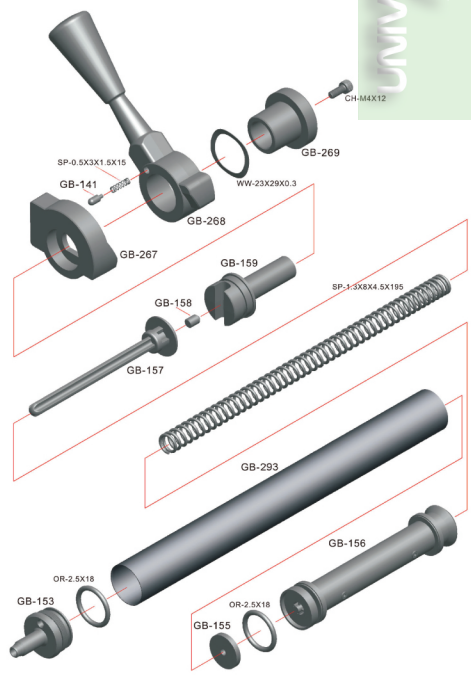
Manufacturer & Brand Owner : Forever Good International Ltd.

Ares Website: <http://www.aresairsoft.com>
 General Enquiries: ares@aresairsoft.com

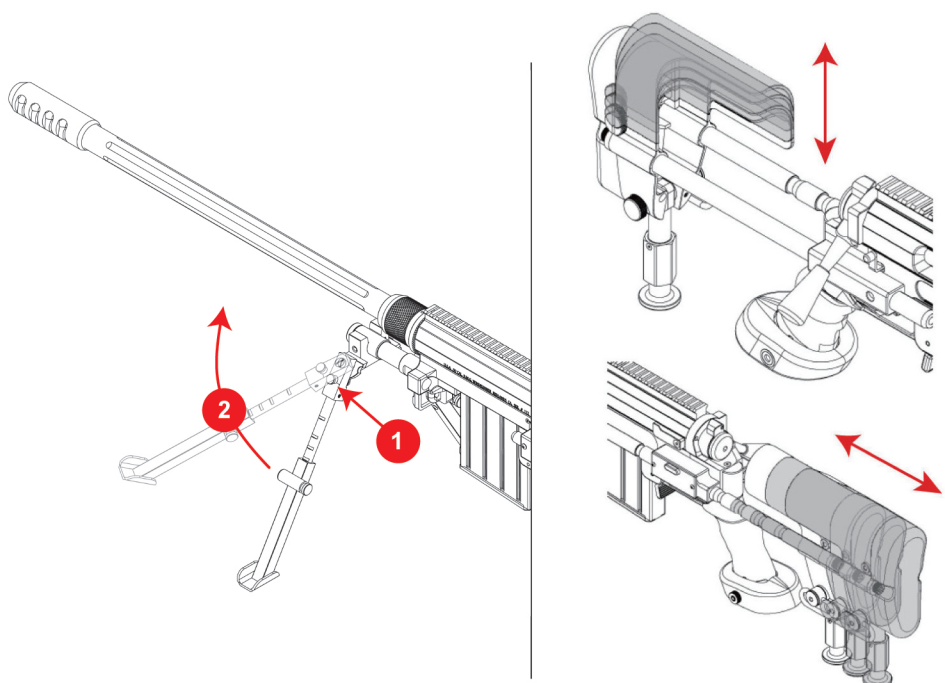
ARES EXPOSE PLAN



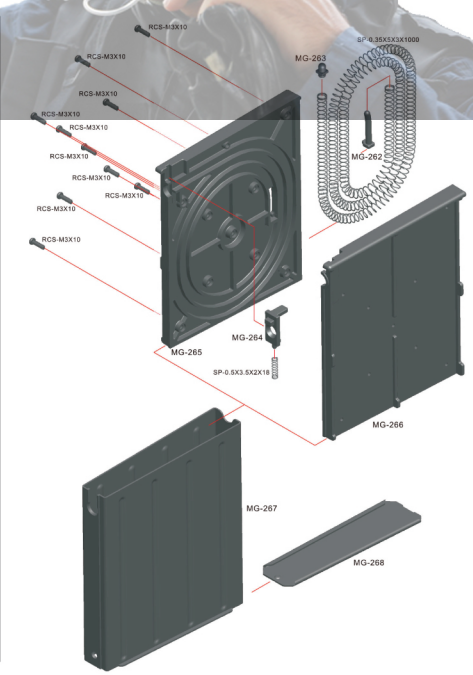
EXPOSE PLAN



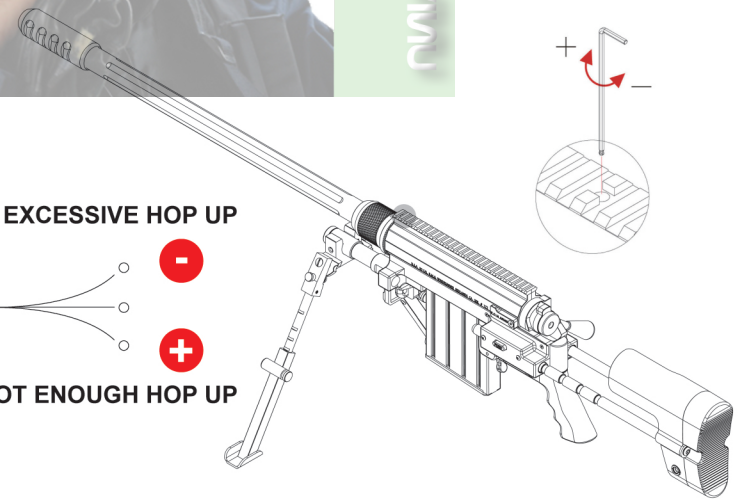
BUTTSTOCK & BIPOD ADJUSTMENT



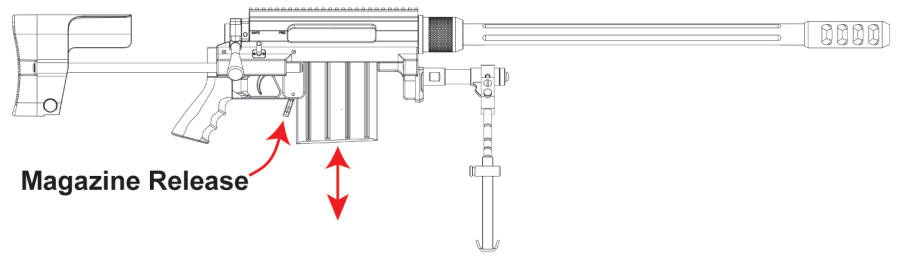
HOP-UP ADJUSTMENT



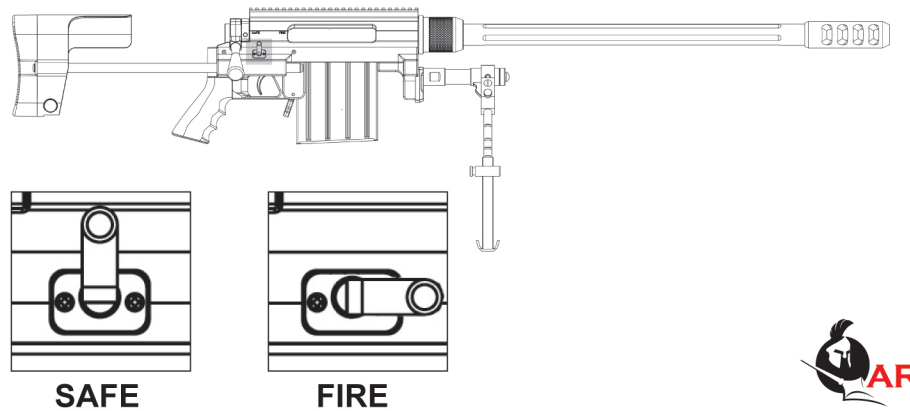
EXCESSIVE HOP UP -
 NOT ENOUGH HOP UP +



SETTING MAGAZINE



SAFETY SETTING



For more detail information please visit our website

