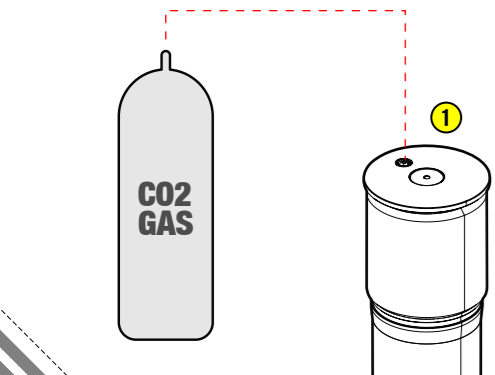
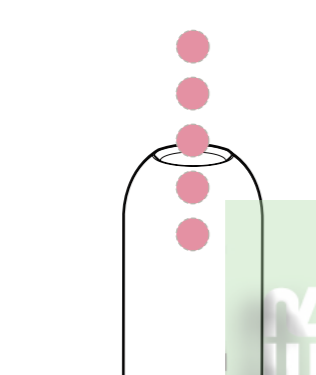


LOADING MAGAZINE

• INSERT GAS INTO GAS GRENADE SHELL

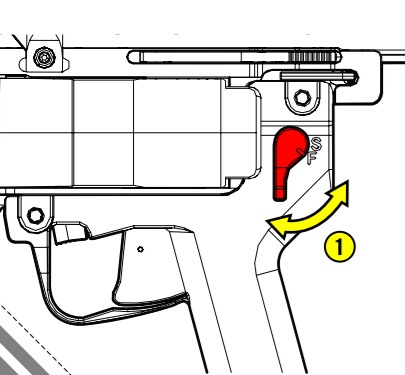


• INSERT BB INTO GRENADE SHELL

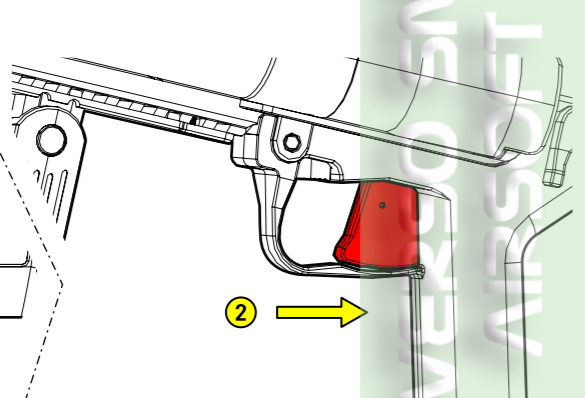


FIRE SELECTOR

SAFE MODE : PULL SWITCH BACKWARD
FIRE MODE : PUSH SWITCH FORWARD

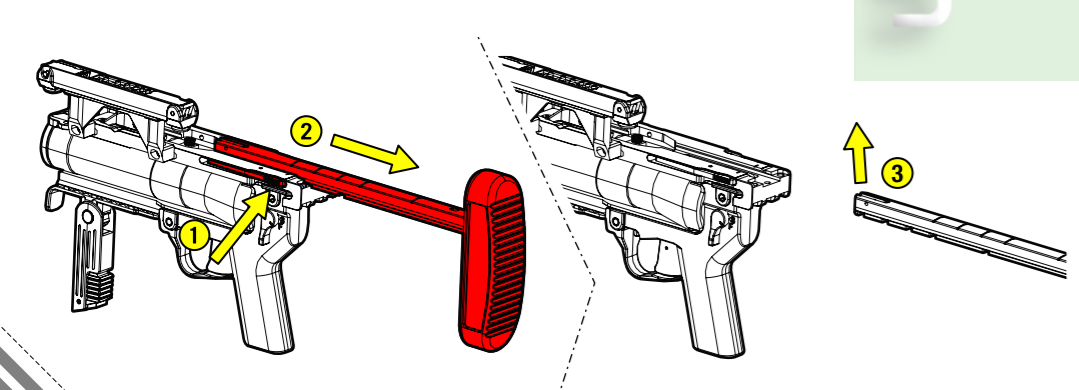


• PULL TRIGGER TO FIRE



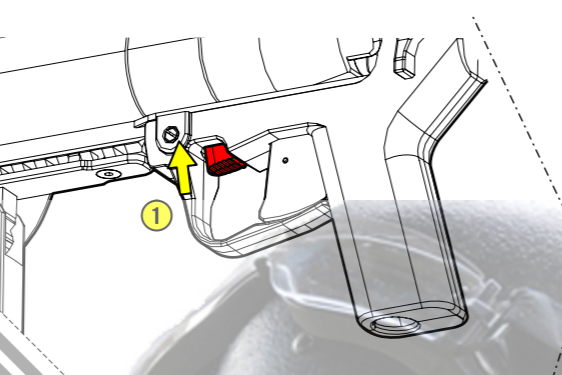
RELEASE THE STOCK

• HOLD THE BUTTON TO REMOVE THE STOCK

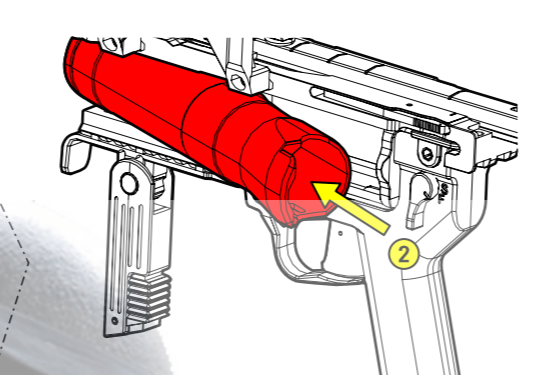


INSERT GRENADE SHELL

• PRESS BUTTON

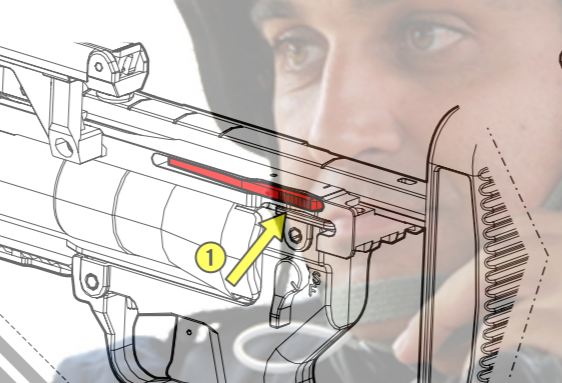


• INSERT GRENADE SHELL

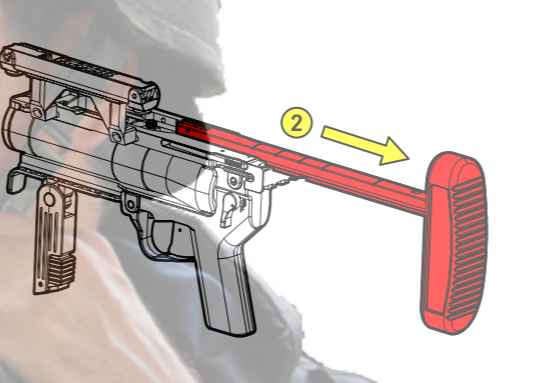


ADJUST THE STOCK

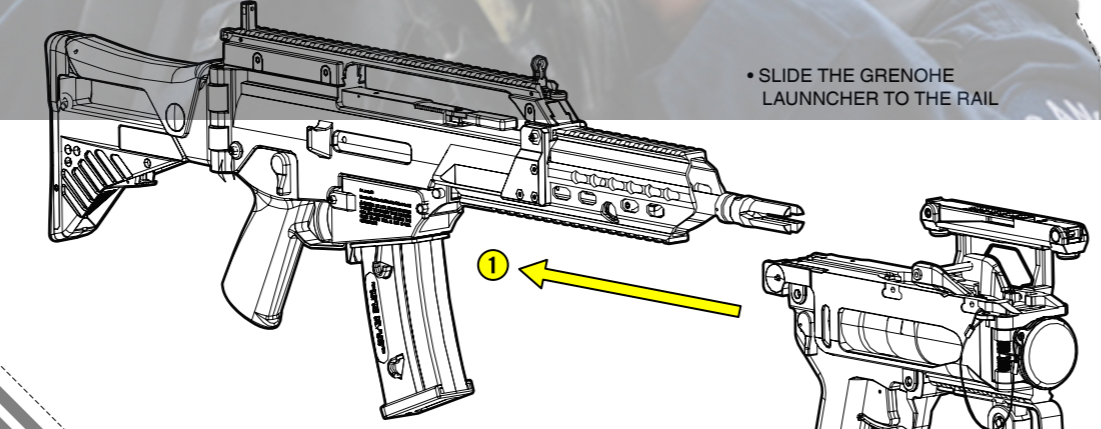
• PRESS THE BUTTON TO ADJUST STOCK



• RELEASE THE BUTTON TO LOCK THE STOCK



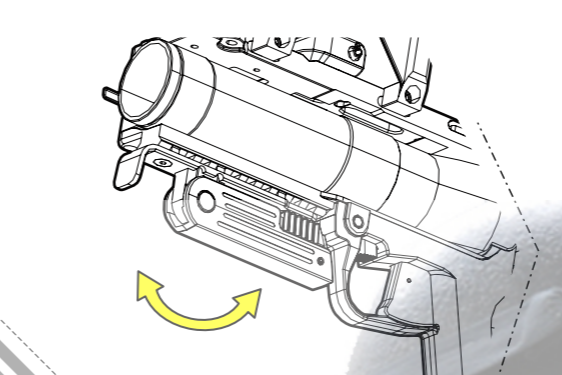
INSTALL THE GRENADE LAUNCHER



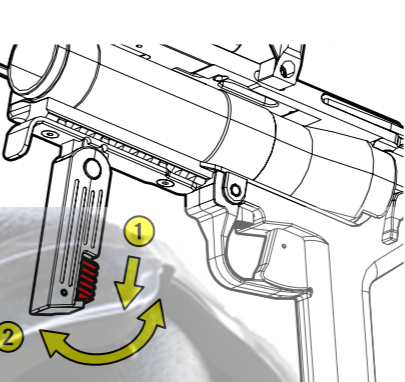
• SLIDE THE GRENADE LAUNCHER TO THE RAIL

ADJUST FRONT GRIP

• PULL THE FRONT GRIP TO ADJUST POSITION

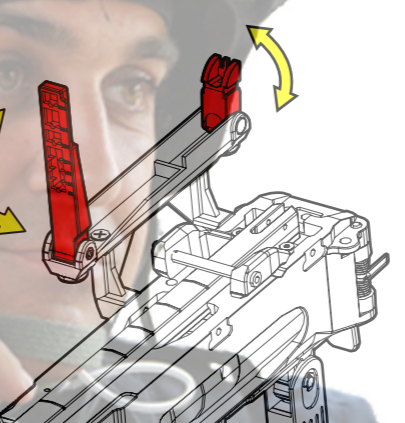
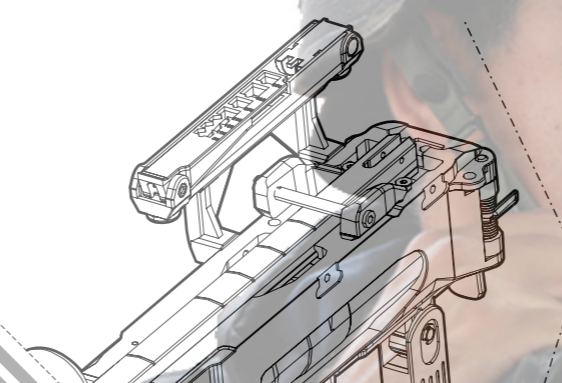


• PULL DOWN THE LEVER TO UNLOCK THE FRONT GRIP



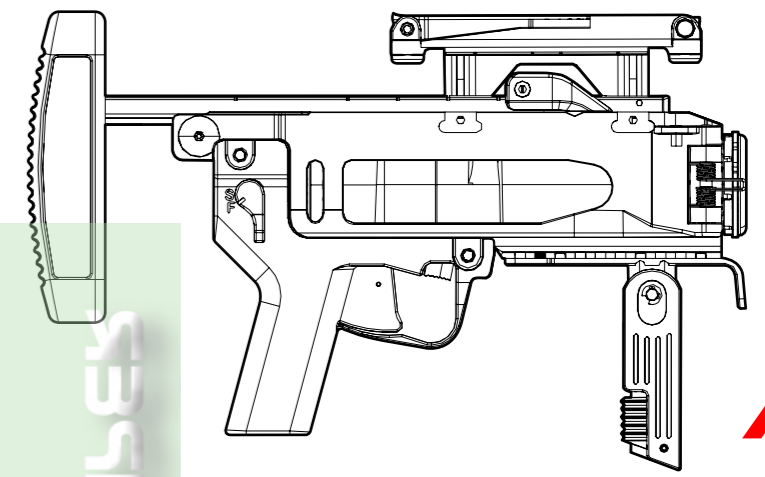
FLIP - UP SIGHT

FLIP UP THE SIGHTS



• INPUT THE LOCK PIN TO STABILIZE IT

PRODUCT FEATURES



M320

SPECIFICATIONS

POWER SOURCE :	Manual
LENGTH :	350-490mm
WEIGHT :	1700gg
FIRE MODE :	SAFE / FIRE
MATERIAL :	Nylon Fiber+ Metal
	Compatible with 40mm Gas Grenade

SAFETY INSTRUCTIONS

READ ALL INSTRUCTIONS BEFORE USE!

- FOR ADULT USE ONLY. NOT TO BE OPERATED BY MINORS UNDER THE AGE OF 18.
- NEVER MODIFY OR ALTER YOUR AIRSOFT GUN. Attempts to modify the airsoft gun in any way could make your airsoft gun unsafe to use, cause serious injury or death, and will void the warranty.
- Misuse of Airsoft Guns is dangerous and can cause serious injury or death. Always treat an Airsoft gun with the same respect you would towards a real firearm.

GENERAL PRECAUTIONS

- This merchandise does not contain any internal components compatible or interchangeable with a real firearm.
- This merchandise cannot accept firing components from a real firearm, nor be able to chamber / fire real ammunition.
- This merchandise is designed to function solely with 6mm airsoft ammunition. ONLY use high-quality precision plastic BBs designed for 6mm Airsoft guns.
- NEVER reuse a BB that is dirty, has been shot from the gun, or otherwise deformed.
- Use of contaminated or imperfect BBs could damage your gun.
- ALWAYS transport Airsoft guns in its original box or an appropriate gun case. NEVER carry the gun in plain sight.
- ALWAYS store the airsoft gun unloaded, and out of reach by children.
- Using unauthorized repair centers or modifying the function of your airsoft gun in any way may be unsafe and will void your warranty.
- ALWAYS ensure the operator and everyone nearby are wearing appropriate eye protection.
- ALWAYS ensure the fire-selector is on "SAFE" until you are ready to shoot.
- ONLY shoot the airsoft gun in designated area, towards a safe direction, using a sufficient backstop.

SAFETY CONSIDERATIONS

- NEVER look into the gun's muzzle.
- NEVER point the Airsoft gun at anything you do not intend to shoot.
- NEVER shoot at targets that may cause the BB to bounce off, such as hard surface that could produce a ricochet.

CAUTION

WARNING

CAUTION TO PREVENT BATTERY POWER DRAINAGE, BATTERY MUST BE UNPLUGGED AND STORED SEPARATELY FROM AIRSOFT GUN AFTER USE.