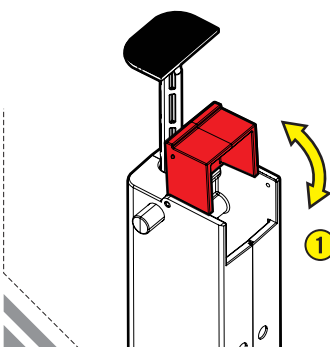
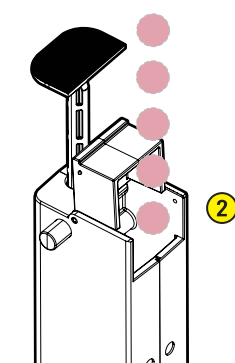


LOADING MAGAZINE

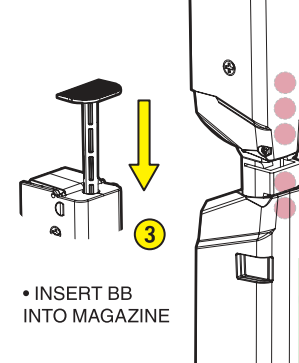
• OPEN THE COVER



• INSERT BB INTO MAGAZINE

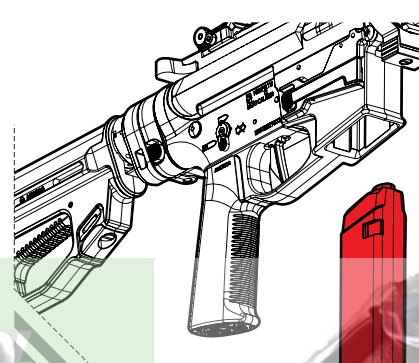


• INSERT BB INTO MAGAZINE

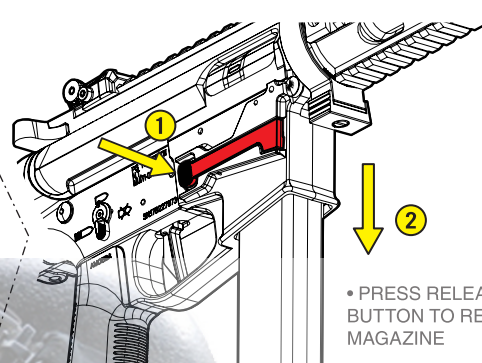


INSERT/RELEASE MAGAZINE

• INSERT MAGAZINE INTO MAGAZINE WELL

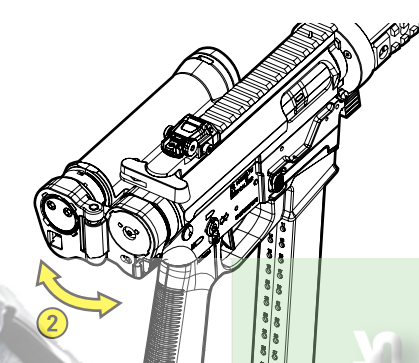
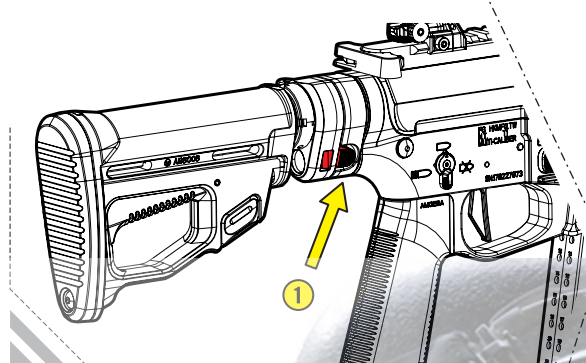


• PRESS RELEASE BUTTON TO RELEASE MAGAZINE

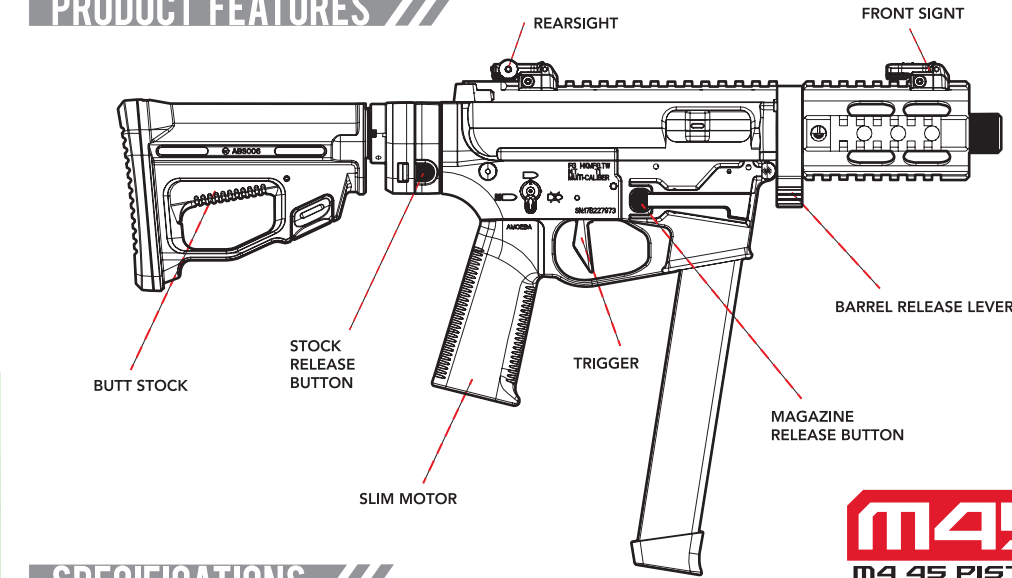


FOLDING STOCK

• PRESS BUTTON TO FOLD THE STOCK

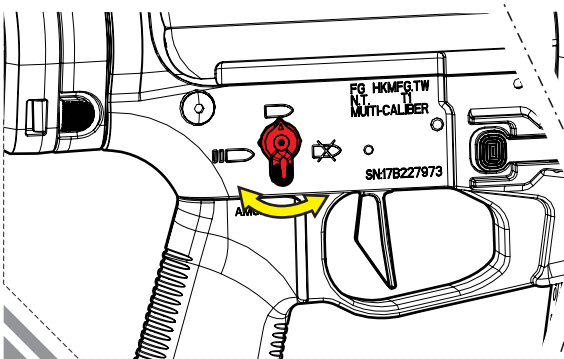


PRODUCT FEATURES

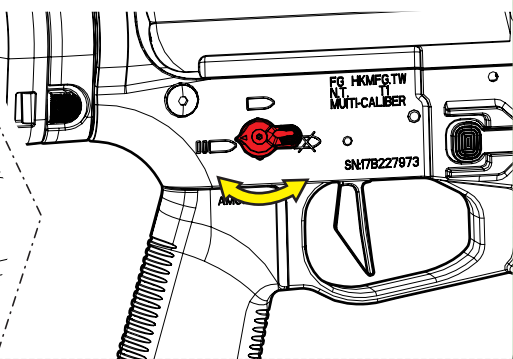


SWITCH FIRE MODE

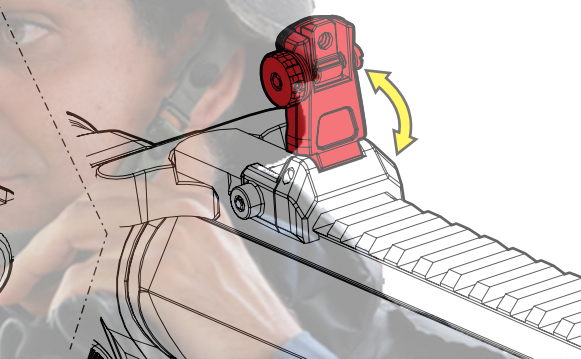
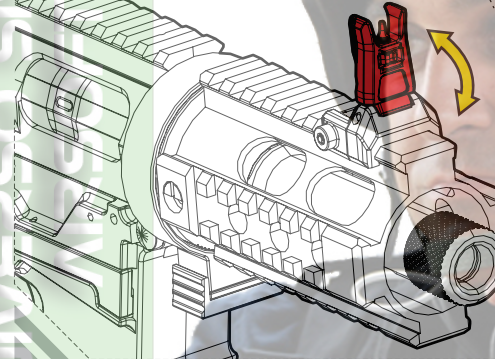
SAFE MODE: PUSH SWITCH FORWARD
FIRE MODE: PULL SWITCH BACKWARD



SINGLE MODE: PUSH SWITCH TO RIGHT
FULL UTO MODE: PULL SWITCH TO LEFT

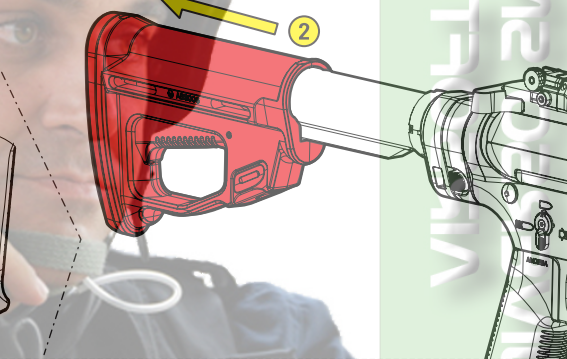
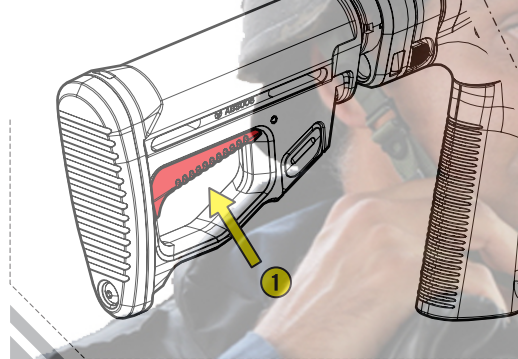


FLIP-UP SIGHT



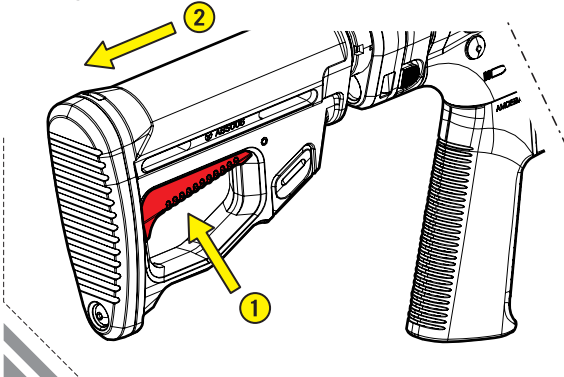
BUTT STOCK ADJUSTMENT

• PRESS LEVER TO ADJUST POSITION

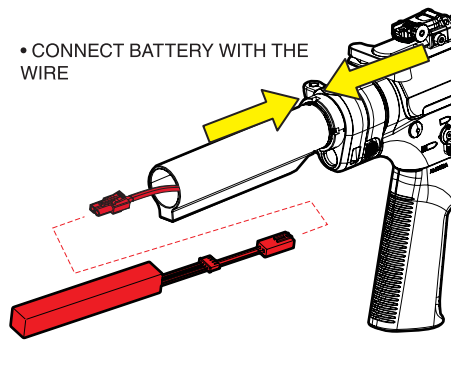


BATTERY INSTALLATION

• PULL LEVER TO SLIDE BUTT STOCK BACKWARD

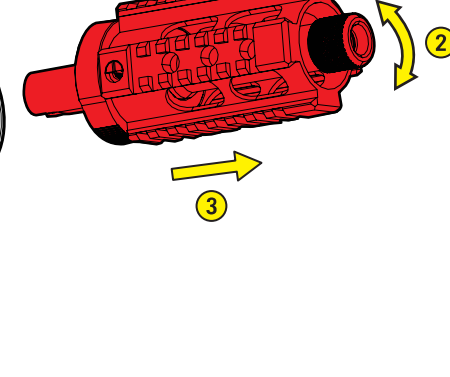
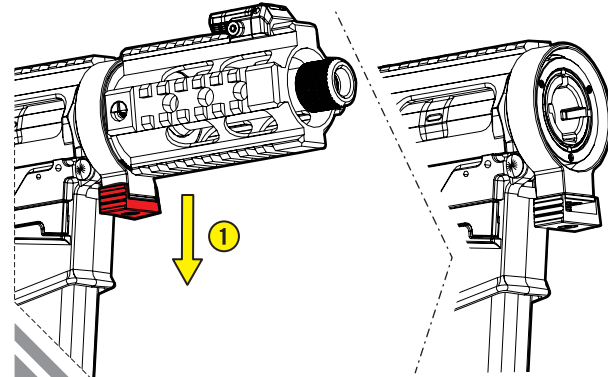


• CONNECT BATTERY WITH THE WIRE



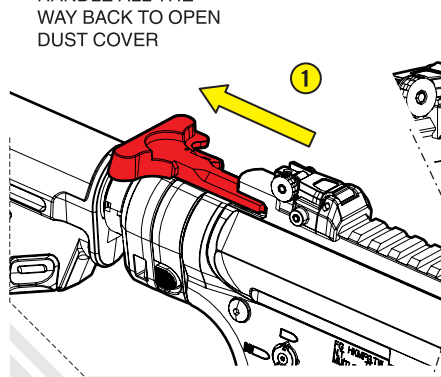
CHANGE THE BARREL

• PULL THE LEVER AND ROTATE TO RELEASE/LOCK BARREL

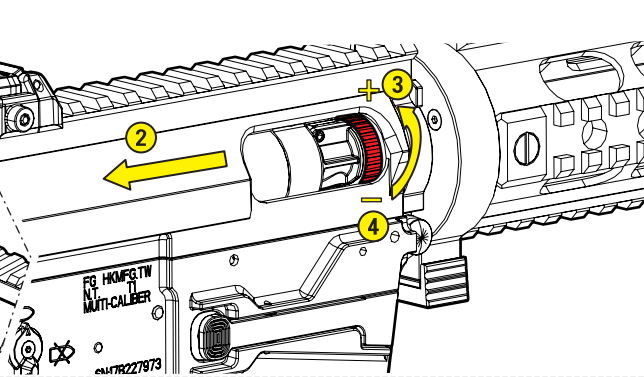


HOP-UP ADJUSTMENT

• PULL CHARGING HANDLE ALL THE WAY BACK TO OPEN DUST COVER



• TURN WHEEL UP FOR MORE HOP-UP
• TURN WHEEL DOWN FOR LESS HOP-UP



SPECIFICATIONS

POWER SOURCE :	AEG
BATTERY :	9.6v 1200mAh Mini Nunchuck (2/3A) Stick
LENGTH :	358-522mm
WEIGHT :	2220g
MAGAZINE CAPACITY :	Long/125 Short/55 Rounds (6mm BB)
FIRE MODE :	SAFE / SEMI / AUTO
MATERIAL :	CNC 6063 Aluminum + Nylon Fiber+ Metal
HOP-UP :	ADJUSTABLE
VELOCITY / ENERGY :	±430 FPS / <2 JOULES
<small>(Based on 0.20g BB)</small>	

SAFETY INSTRUCTIONS

READ ALL INSTRUCTIONS BEFORE USE!

- FOR ADULT USE ONLY. NOT TO BE OPERATED BY MINORS UNDER THE AGE OF 18.
- NEVER MODIFY OR ALTER YOUR AIRSOFT GUN. Attempts to modify the airsoft gun in any way could make your airsoft gun unsafe to use, cause serious injury or death, and void the warranty.
- Misuse of Airsoft Guns is dangerous and can cause serious injury or death. Always treat an Airsoft gun with the same respect you would towards a real firearm.

SAFETY CONSIDERATIONS

- NEVER look into the gun's muzzle.
- ALWAYS ensure the fire-selector is on "SAFE" until you are ready to shoot.
- NEVER shoot at targets that may cause the BB to bounce off, such as hard surface that could produce a ricochet.
- ALWAYS ensure the operator and everyone nearby are wearing appropriate eye protection.
- ALWAYS shoot the airsoft gun in designated area, towards a safe direction, using a sufficient backstop.

GENERAL PRECAUTIONS

- This merchandise does not contain any internal components compatible or interchangeable with a real firearm.
- This merchandise cannot accept firing components from a real firearm, nor be able to chamber / fire real ammunition.
- This merchandise is designed to function solely with 6mm airsoft ammunition. ONLY use high-quality precision plastic BBs designed for 6mm Airsoft guns.
- NEVER reuse a BB that is dirty, has been shot from the gun, or otherwise deformed. Use of contaminated or imperfect BBs could damage your gun.
- ALWAYS transport Airsoft guns in its original box or an appropriate gun case. NEVER carry the gun in plain sight.
- ALWAYS store the airsoft gun unloaded, and out of reach by children.
- Using unauthorized repair centers or modifying the function of your airsoft gun in any way may be unsafe and will void your warranty.
- The manufacturer, distributors, and retailers are not liable for any malfunction, accidents, injuries or repair cost resulting from misuse, or by disassembly and modification of the airsoft gun.

CAUTION TO PREVENT BATTERY POWER DRAINAGE, BATTERY MUST BE UNPLUGGED AND STORED SEPARATELY FROM AIRSOFT GUN AFTER USE.

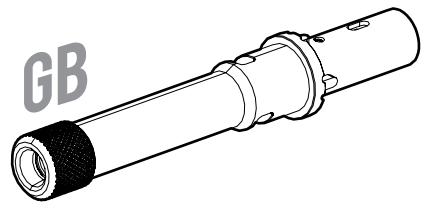
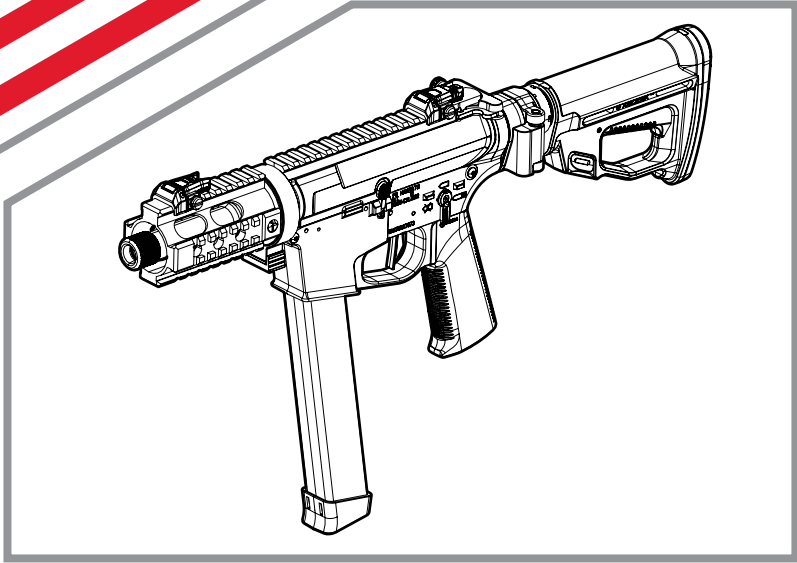
Divisions of Forever Good (Hong Kong) Ltd.



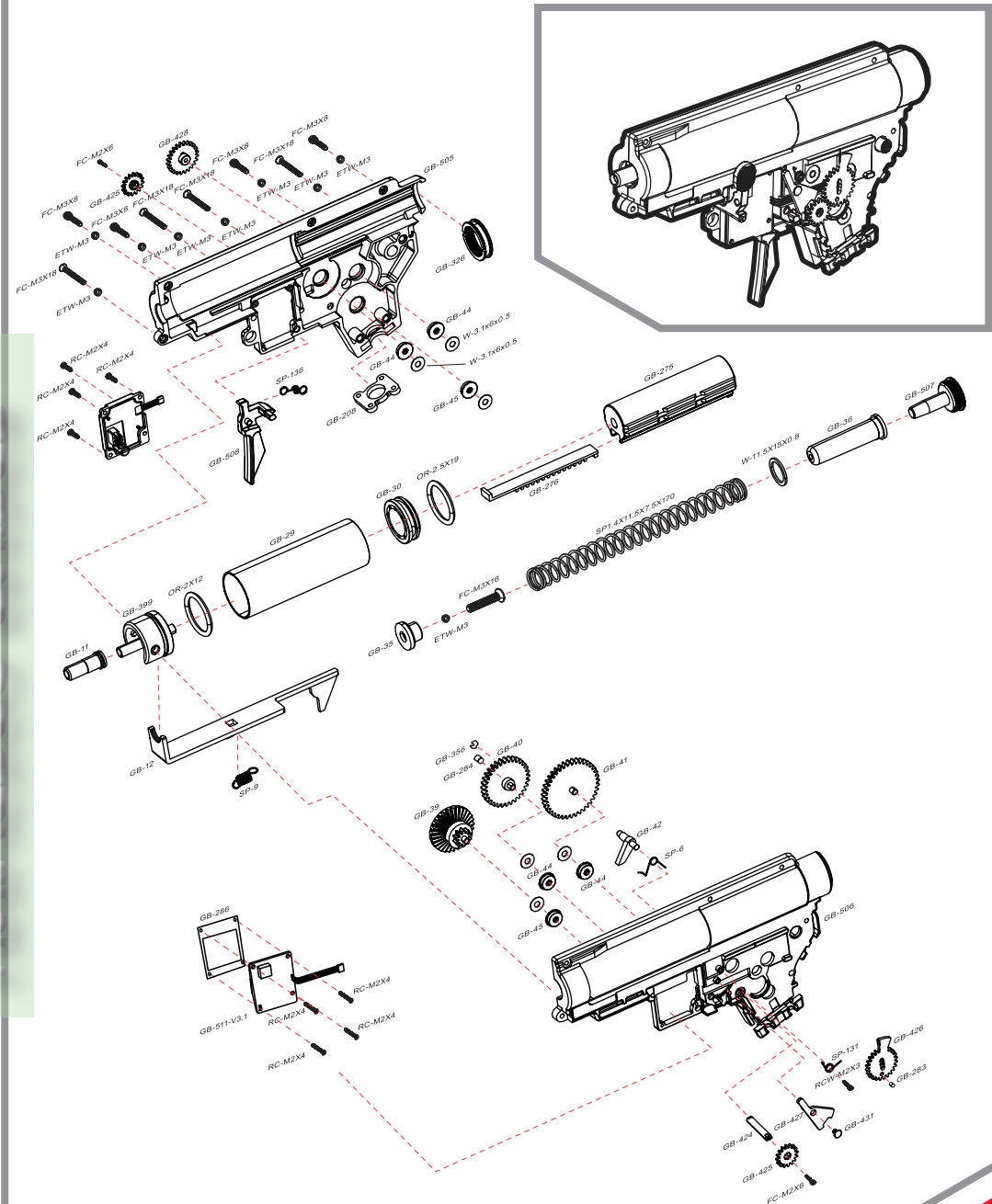
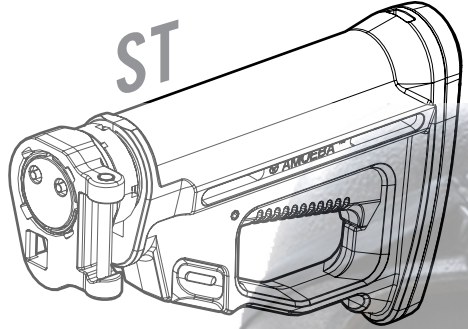
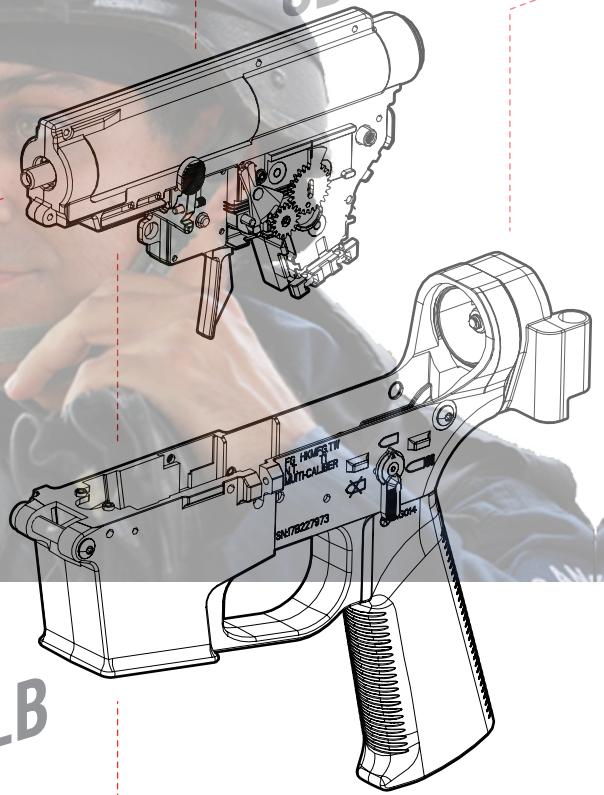
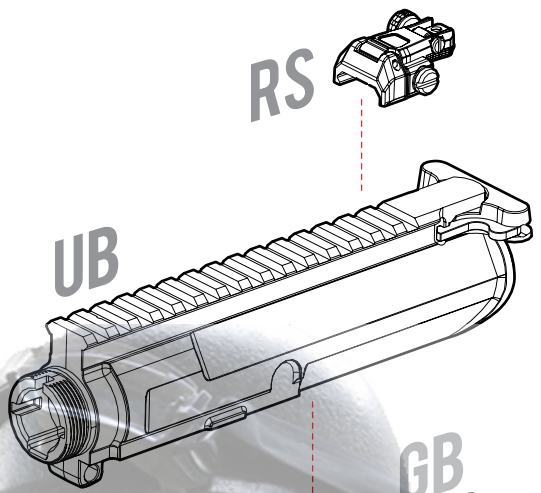
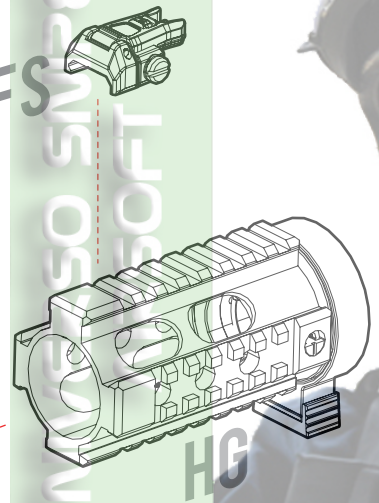
FOR GENERAL ENQUIRY, CONTACT US AT
ARES@ARES-AIRSOFT.COM

FOR THE LATEST NEWS AND PRODUCT INFORMATION, VISIT US AT
WWW.ARES-AIRSOFT.COM

ARES AIRSOFT
© ARES AIRSOFT. ALL RIGHTS RESERVED



UNIVERSO AIRSOFT
M4 45 SIMPER
SOFT



GEARBOX EXPLODED DIAGRAM

M45
M4 45 PISTOL