

ARES MSR SERIES GAS POWER — SPECIFICATIONS

MSR-009-OD
LENGTH : 1225mm / WEIGHT : 4600g



FEATURES

- New design adjustable trigger group
- Fully adjustable cheek piece & buttstock
- 23 rounds new design gas power magazine
- Light weight & smooth cocking bolt system
- Full metal reinforced construction
- CNC 6063 lower receiver & solid Nylon Fiber stock
- Unique & quick detachable build-in bipod
- ø6.04mm x 640mm high-precision copper inner barrel

MSR-019
LENGTH : 1020mm / WEIGHT : 5100g



SPECIFICATION

GAS POWER : 134a Standard(Optional CO2 Magazine)
MAGAZINE CAPACITY : 23rds (6MM BB)
FIRE MODE : Safe / Fire
MATERIAL : CNC 6063 + Nylon Fiber
HOP-UP : Adjustable



MSR SERIES

MID-RANGE SNIPER RIFLE

ARES MSR SERIES GAS POWER — SAFETY INSTRUCTIONS

READ ALL INSTRUCTIONS BEFORE USE!

- FOR ADULT USE ONLY. NOT TO BE OPERATED BY MINORS UNDER THE AGE OF 18.
- NEVER MODIFY OR ALTER YOUR AIRSOFT GUN. Attempts to modify the airsoft gun in any way could make your airsoft gun unsafe to use, cause serious injury or death, and will void the warranty.
- Misuse of Airsoft Guns is dangerous and can cause serious injury or death. Always treat an Airsoft gun with the same respect you would towards a real firearm.

SAFETY CONSIDERATIONS

- NEVER look into the gun's muzzle.
- NEVER point the Airsoft gun at anything you do not intend to shoot.
- NEVER shoot at targets that may cause the BB to bounce off, such as hard surface that could produce a ricochet.
- ALWAYS ensure the operator and everyone nearby are wearing appropriate eye protection.
- ALWAYS ensure the fire-selector is on "SAFE" until you are ready to shoot.
- ONLY shoot the airsoft gun in designated area, towards a safe direction, using a sufficient backstop.

GENERAL PRECAUTIONS

- This merchandise does not contain any internal components compatible or interchangeable with a real firearm.
- This merchandise cannot accept firing components from a real firearm, nor be able to chamber / fire real ammunition.
- This merchandise is designed to function solely with 6mm airsoft ammunition. ONLY use high-quality precision plastic BBs designed for 6mm Airsoft guns.
- NEVER reuse a BB that is dirty, has been shot from the gun, or otherwise deformed. Use of contaminated or imperfect BBs could damage your gun.
- ALWAYS transport Airsoft guns in its original box or an appropriate gun case. NEVER carry the gun in plain sight.
- ALWAYS store the airsoft gun unloaded, and out of reach by children.
- Using unauthorized repair or modifying the function of your airsoft gun in any way may be unsafe and will void your warranty.
- The manufacturer, distributors, and retailers are not liable for any malfunction, accidents, injuries or repair cost resulting from misuse, or by disassembly and modification of the airsoft gun.



MSR-009-BK
LENGTH : 1225mm / WEIGHT : 4600g

MSR-009-DE
LENGTH : 1225mm / WEIGHT : 4600g

MSR-017
LENGTH : 1020mm / WEIGHT : 5100g

MSR-018
LENGTH : 1020mm / WEIGHT : 5100g



Ares Website: <http://www.aresairsoft.com>

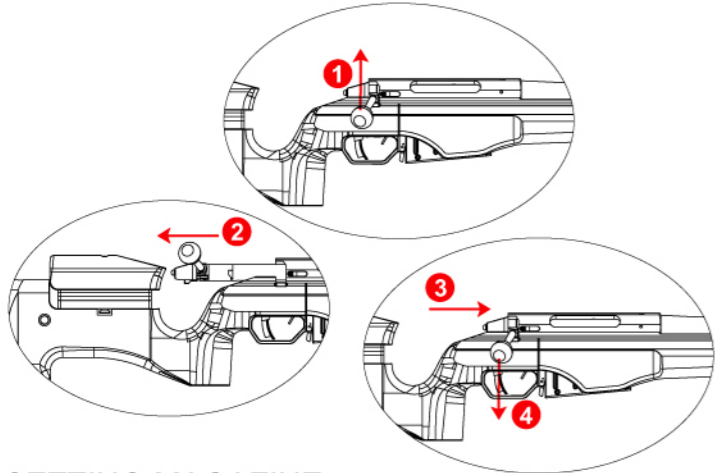
Divisions of Forever Good (Hong Kong) Ltd.



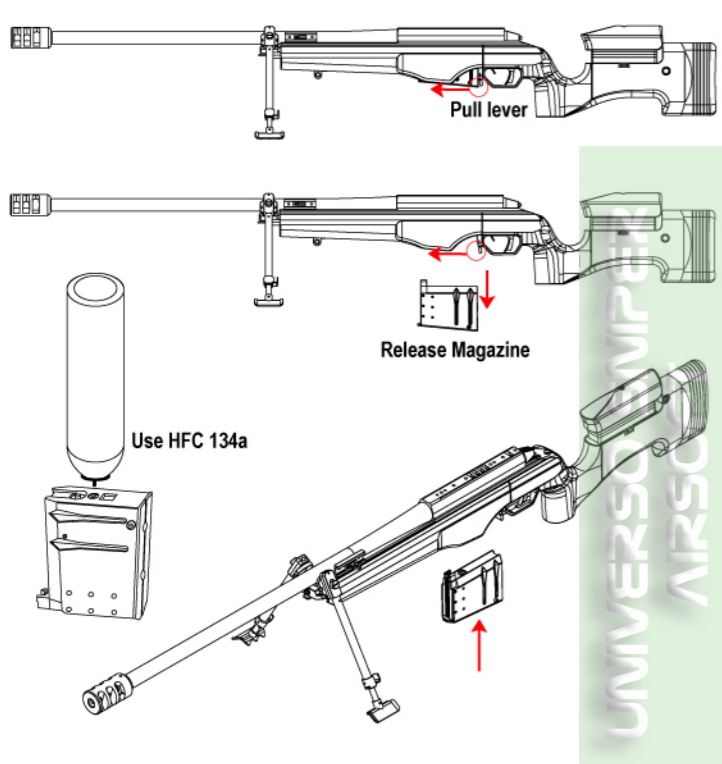
General Enquiries: ares@aresairsoft.com ©Ares 2014, All Rights Reserved

USER RESTRICTED TO 18 YEARS OF AGE OR OLDER

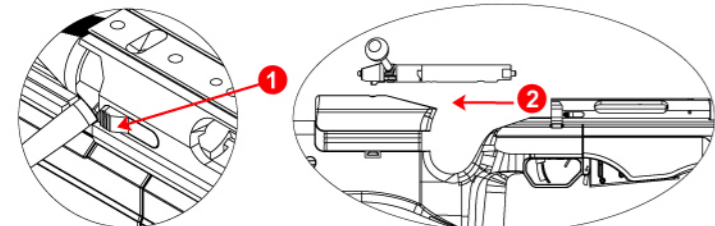
COCKING



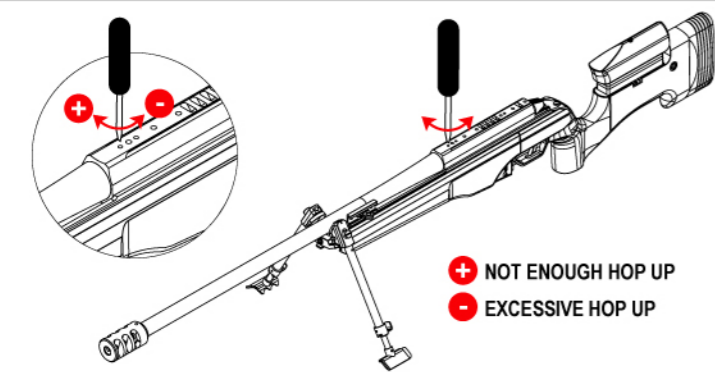
SETTING MAGAZINE



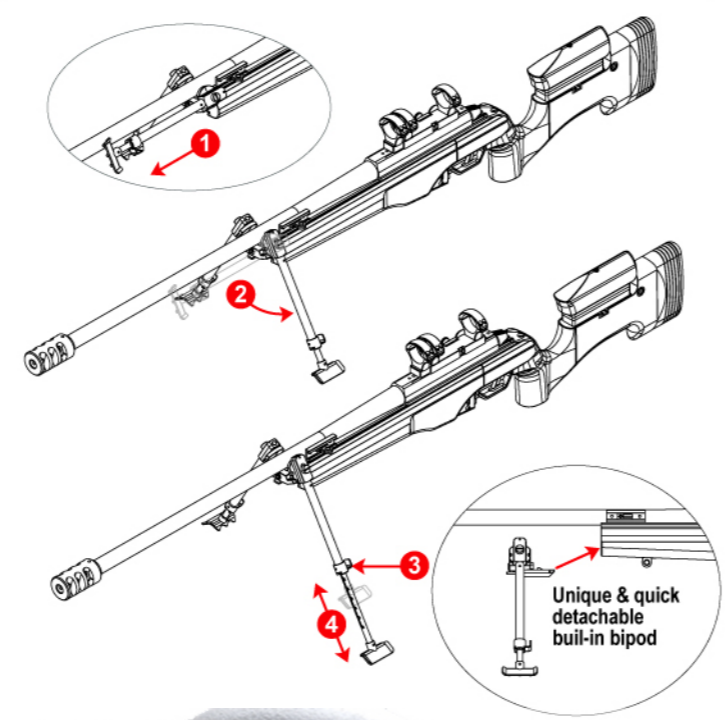
BOLT DISASSEMBLE



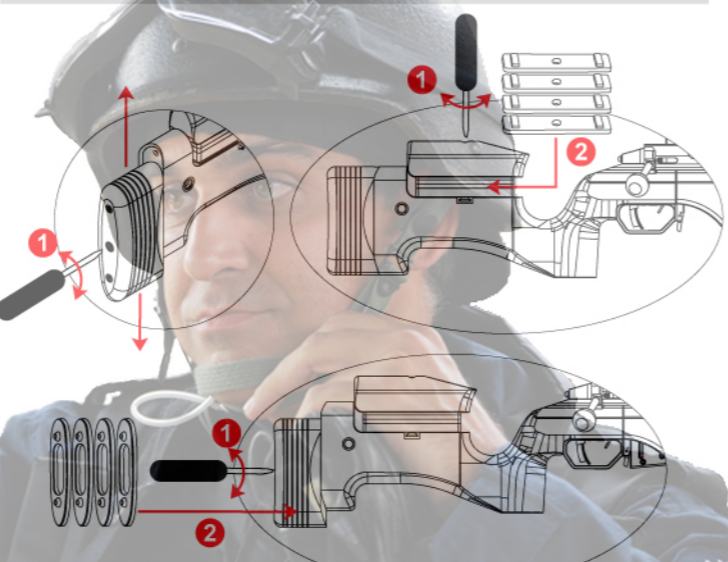
HOP UP ADJUSTMENT



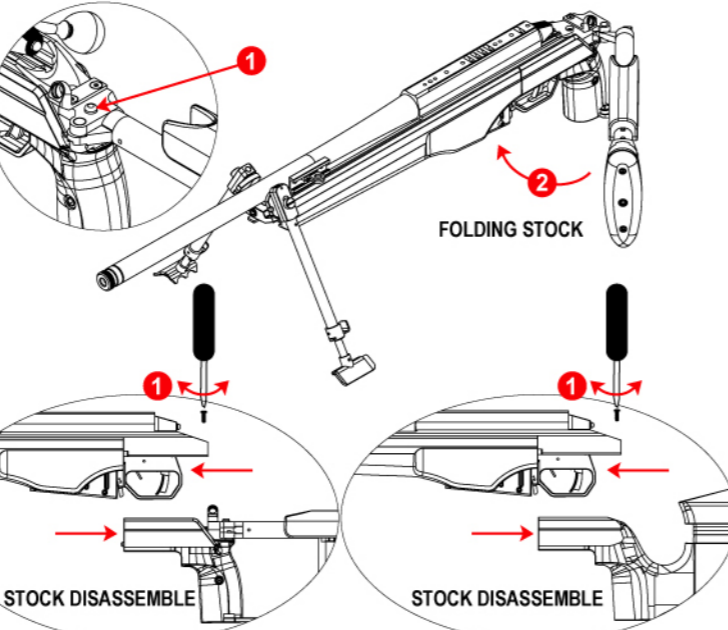
BIPOD ADJUSTMENT



ADJUSTABLE BUTTSTOCK

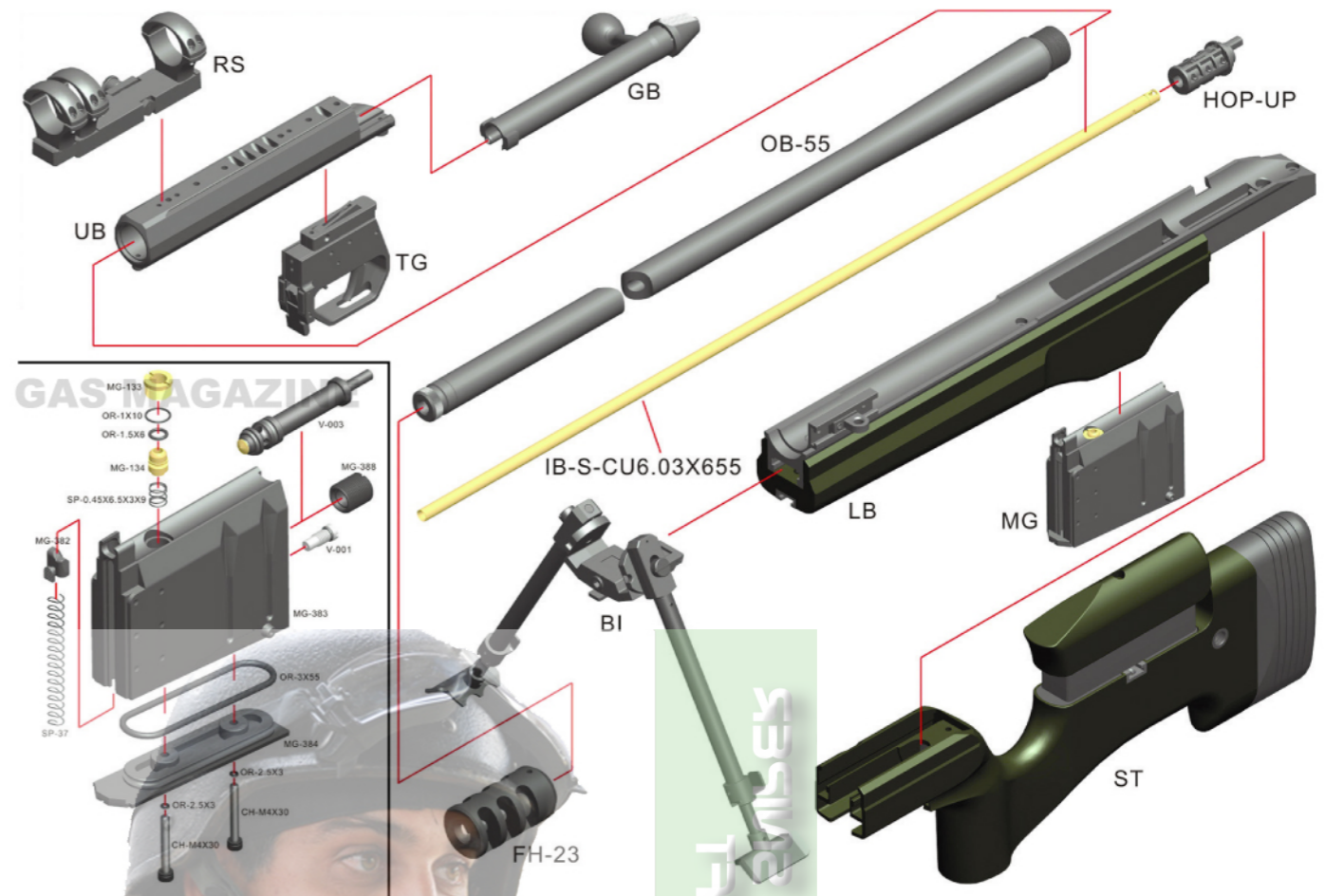


STOCK ADJUSTMENT



Replacement parts available from your local distributor or retailer

MSR-009 EXPOSE PLAN



MSR-017/-018/-019 EXPOSE PLAN

