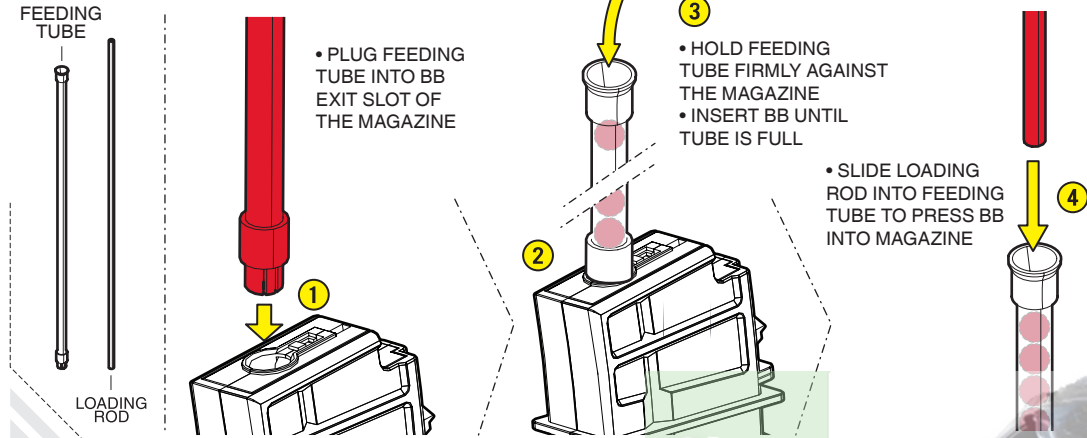
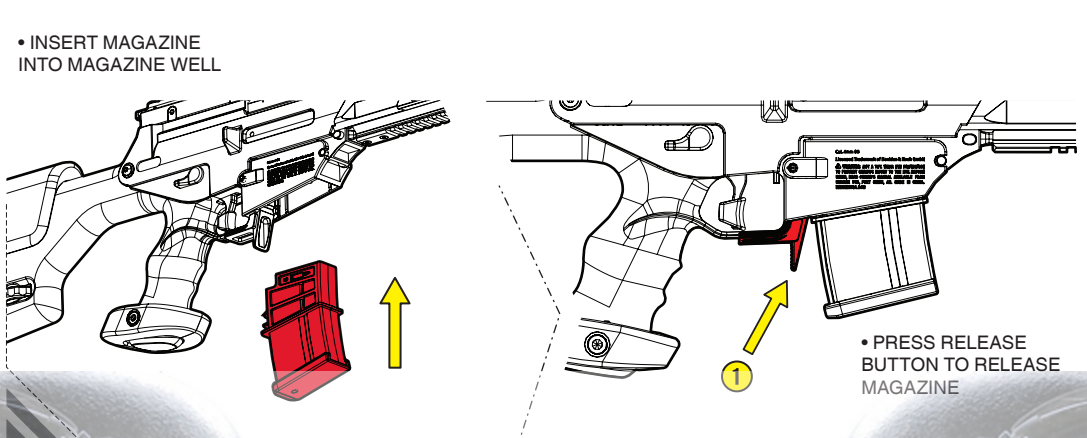


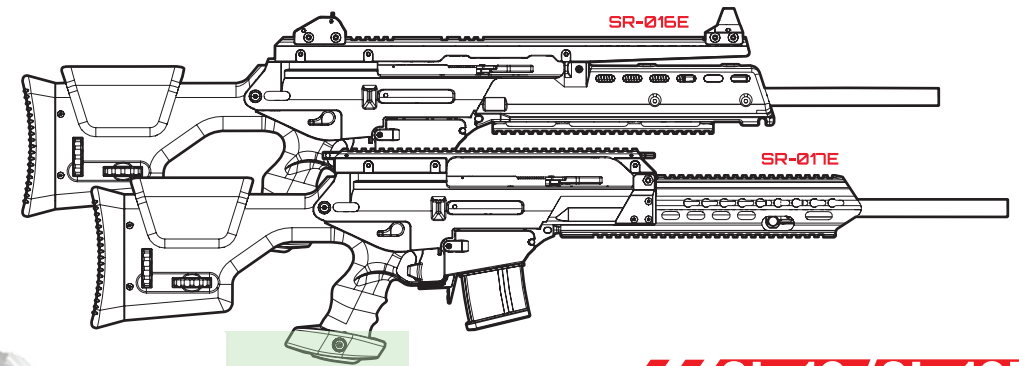
LOADING MAGAZINE



INSERT/RELEASE MAGAZINE

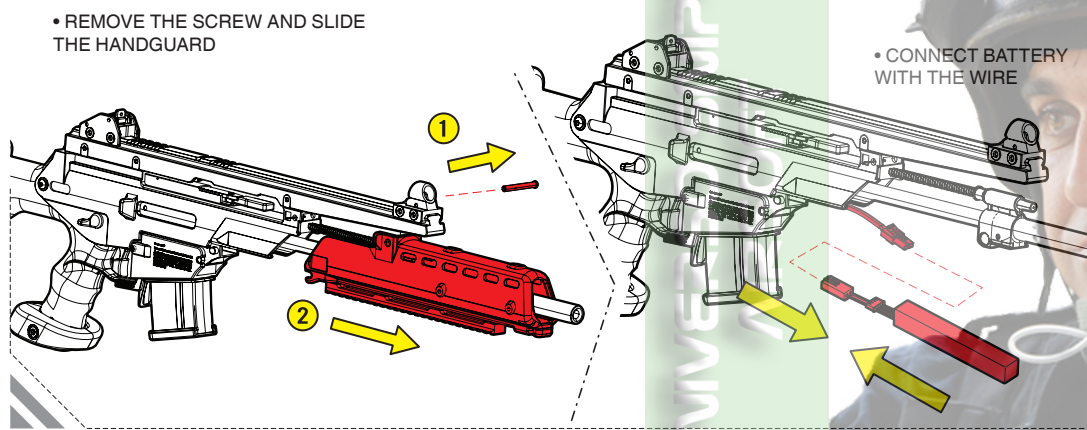


PRODUCT FEATURES

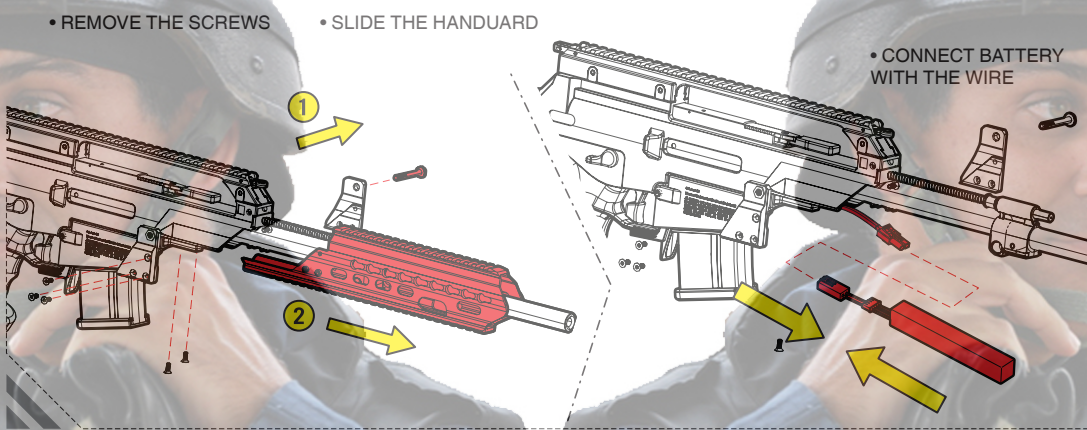


/// SL-10/SL-10T

BATTERY INSTALLATION(SL-10)



BATTERY INSTALLATION(SL-10T)

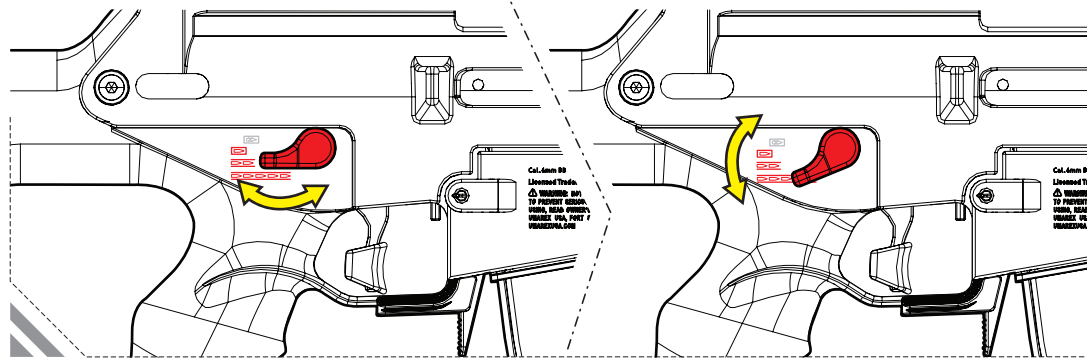


SPECIFICATIONS

POWER SOURCE :	AEG
BATTERY :	11.1v LiPO Battery
LENGTH :	1020mm
WEIGHT :	4000g
MAGAZINE CAPACITY :	60 Rounds (6mm BB)
FIRE MODE :	SAFE / SEMI / 2-R-BUST / AUTO
MATERIAL :	CNC 6063 Aluminum + Nylon Fiber+ Metal
HOP-UP :	ADJUSTABLE

SWITCH FIRE MODE

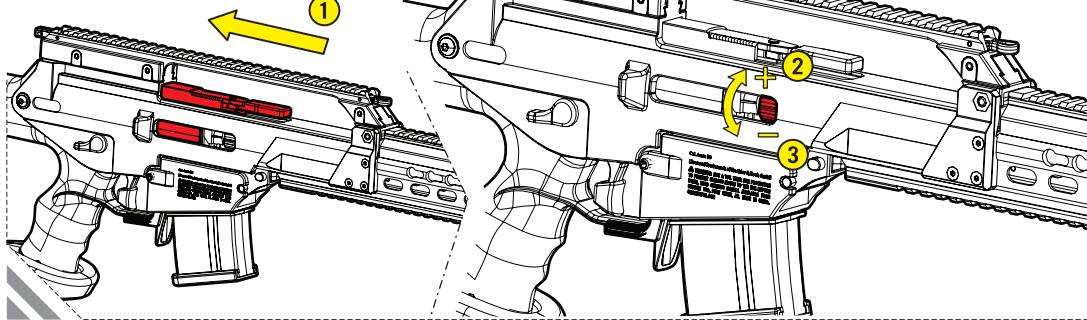
- SAFE MODE: PUSH SWITCH FORWARD
- 2-ROUND-BURSTMODE: PUSH SWITCH TO RIGHT
- SEMI AUTO MODE: PULL SWITCH BACKWARD
- FULL AUTO MODE: PULL SWITCH TO LEFT



HOP-UP ADJUSTMENT

- TURN WHEEL UP FOR MORE HOP-UP
- TURN WHEEL DOWN FOR LESS HOP-UP

• PULL CHARGING HANDLE ALL THE WAY BACK TO OPEN DUST COVER



SAFETY INSTRUCTIONS

READ ALL INSTRUCTIONS BEFORE USE!

- FOR ADULT USE ONLY. NOT TO BE OPERATED BY MINORS UNDER THE AGE OF 18.
- NEVER MODIFY OR ALTER YOUR AIRSOFT GUN. Attempts to modify the airsoft gun in any way could make your airsoft gun unsafe to use, cause serious injury or death, and will void the warranty.
- Misuse of Airsoft Guns is dangerous and can cause serious injury or death. Always treat an Airsoft gun with the same respect you would towards a real firearm.

SAFETY CONSIDERATIONS

- NEVER look into the gun's muzzle.
- NEVER point the Airsoft gun at anything you do not intend to shoot.
- NEVER shoot at targets that may cause the BB to bounce off, such as hard surface that could produce a ricochet.
- ALWAYS ensure the operator and everyone nearby are wearing appropriate eye protection.
- ALWAYS ensure the fire-selector is on "SAFE" until you are ready to shoot.
- ONLY shoot the airsoft gun in designated area, towards a safe direction, using a sufficient backstop.

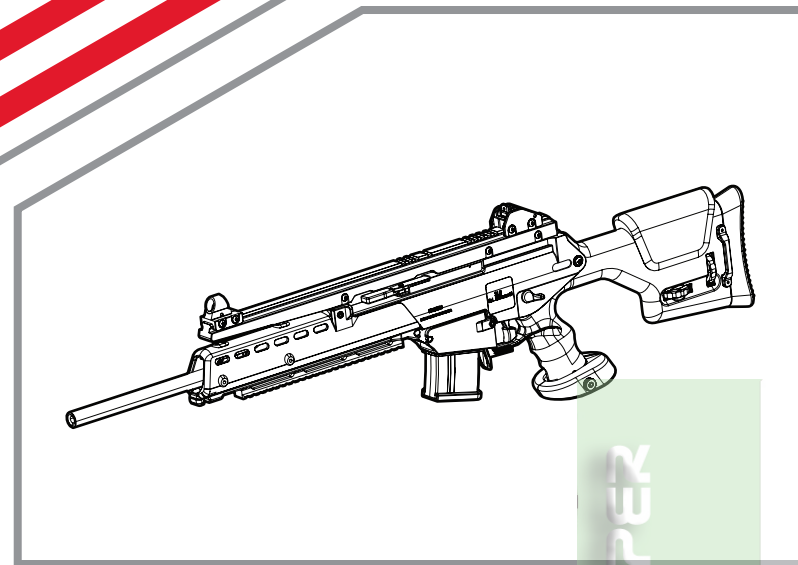
GENERAL PRECAUTIONS

- This merchandise does not contain any internal components compatible or interchangeable with a real firearm.
- This merchandise cannot accept firing components from a real firearm, nor be able to chamber / fire real ammunition.
- This merchandise is designed to function solely with 6mm airsoft ammunition. ONLY use high-quality precision plastic BBs designed for 6mm Airsoft guns.
- NEVER reuse a BB that is dirty, has been shot from the gun, or otherwise deformed. Use of contaminated or imperfect BBs could damage your gun.
- ALWAYS transport Airsoft guns in its original box or an appropriate gun case. NEVER carry the gun in plain sight.
- ALWAYS store the airsoft gun unloaded, and out of reach by children.
- Using unauthorized repair centers or modifying the function of your airsoft gun in any way may be unsafe and will void your warranty.
- The manufacturer, distributors, and retailers are not liable for any malfunction, accidents, injuries or repair cost resulting from misuse, or by disassembly and modification of the airsoft gun.

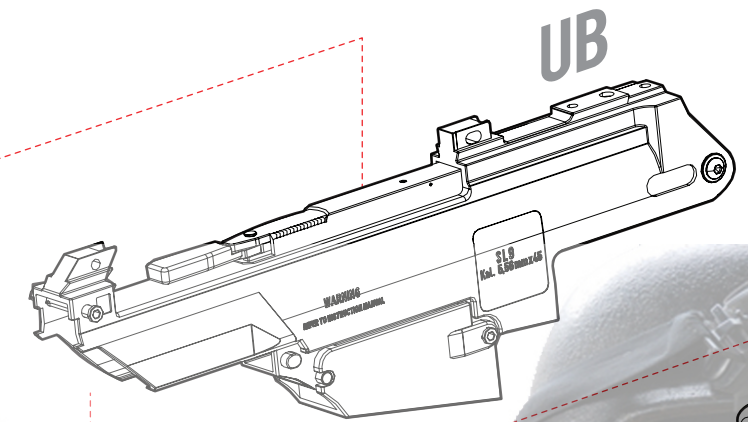
CAUTION

CAUTION TO PREVENT BATTERY POWER DRAINAGE, BATTERY MUST BE UNPLUGGED AND STORED SEPARATELY FROM AIRSOFT GUN AFTER USE.

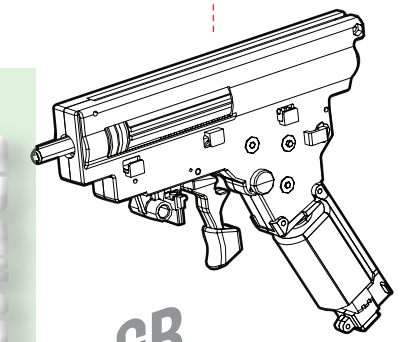
SL-10(SR-016E)



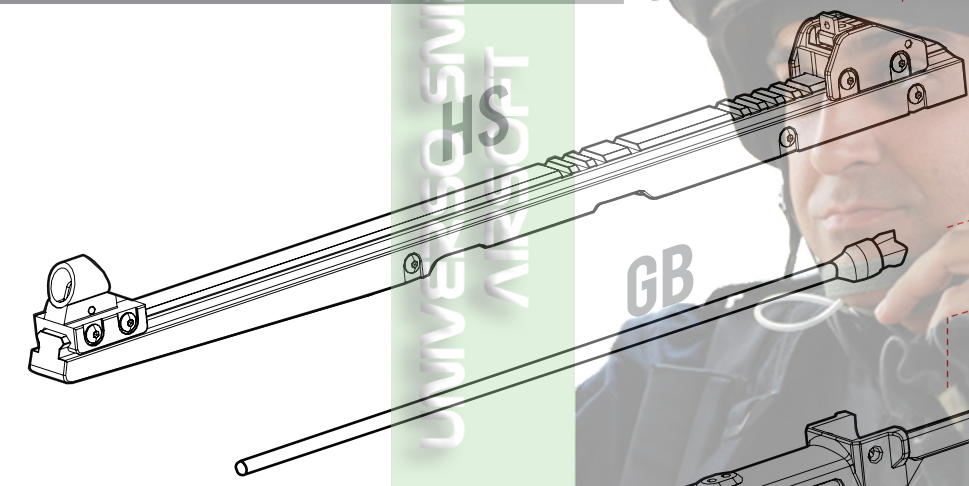
УМВЕРСКО СНАЈПЕР
АКЦИЈА



UB



GB

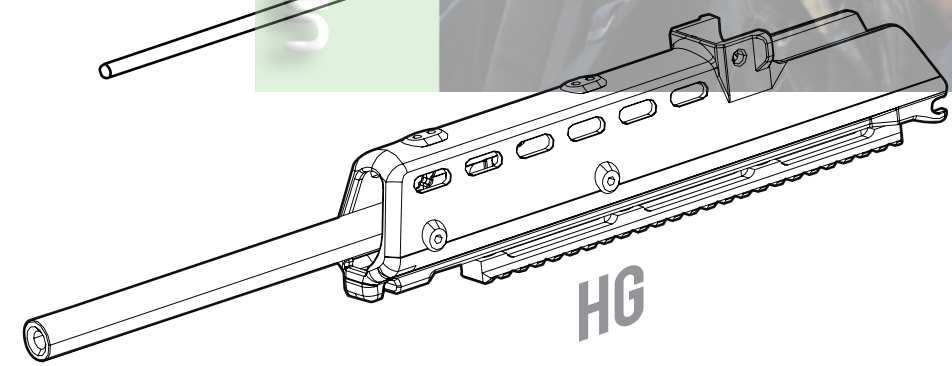


GB

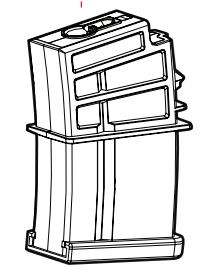


ST

СЕРВИС ОДЕСКИ
ТРОЈКА



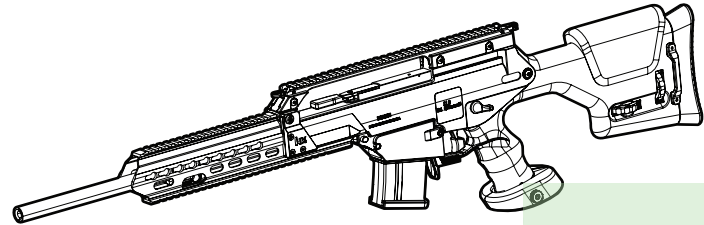
HG



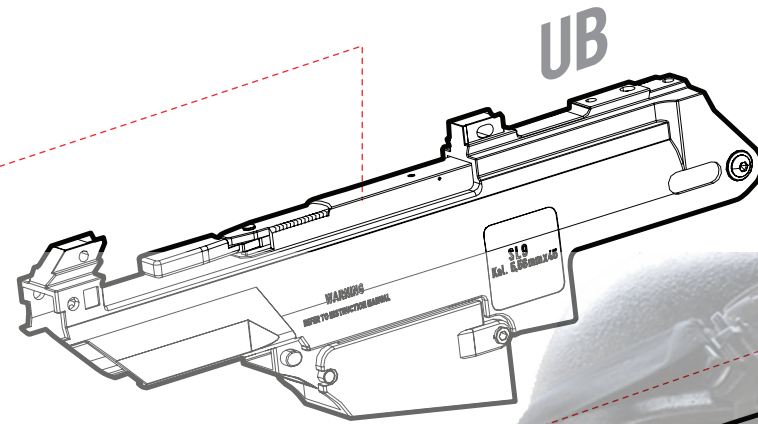
MG



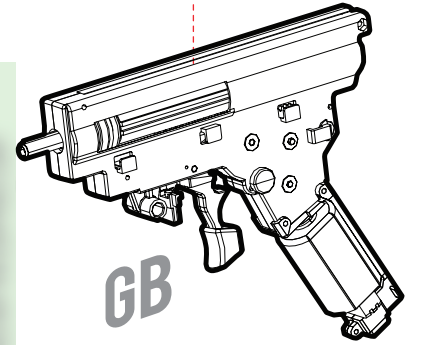
SL-10T(SR-017E)



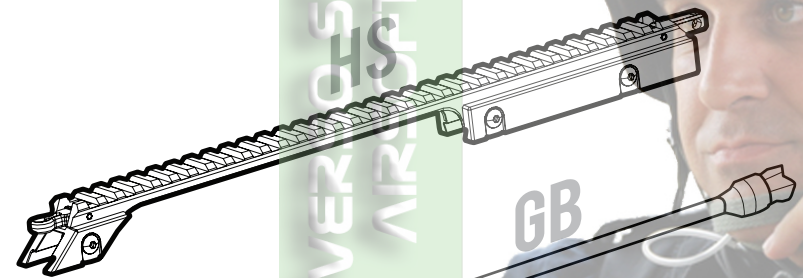
УМВЕР О СМЕР
АИРС ПТ



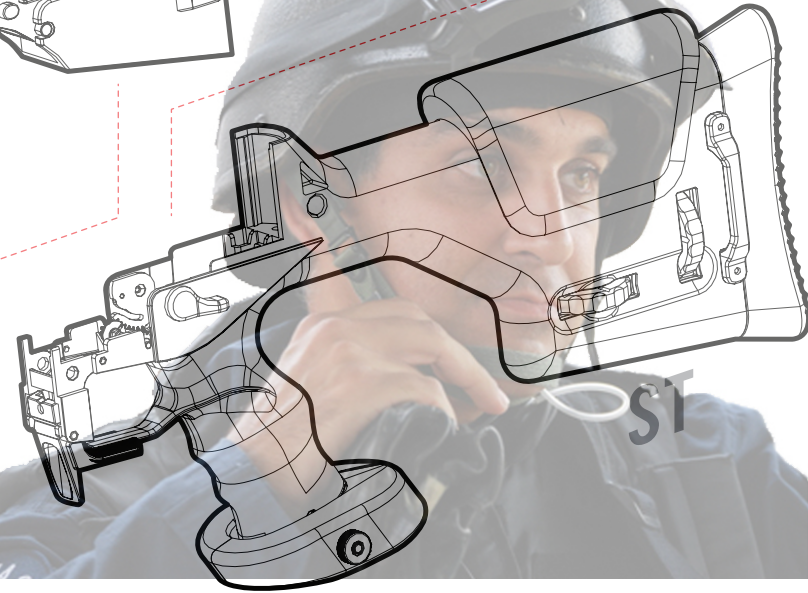
UB



GB

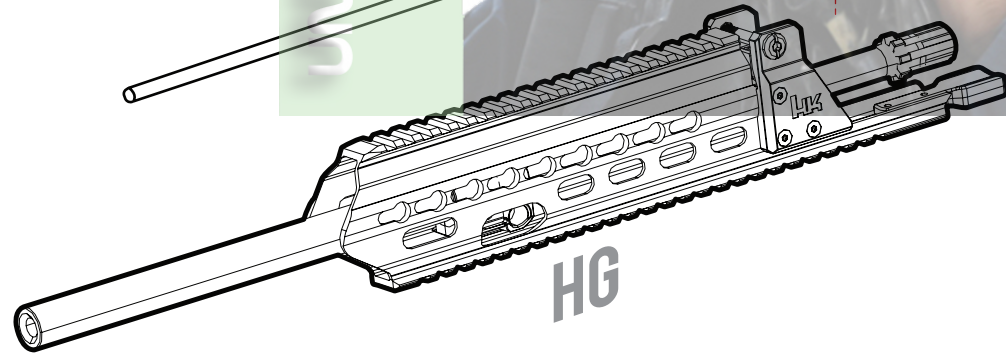


GB

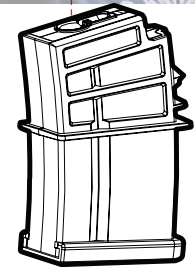


ST

УМВЕР О СМЕР
АИРС ПТ



HG



MG

