

USER RESTRICTED TO 18 YEARS OF AGE OR OLDER

ARES TAR 21



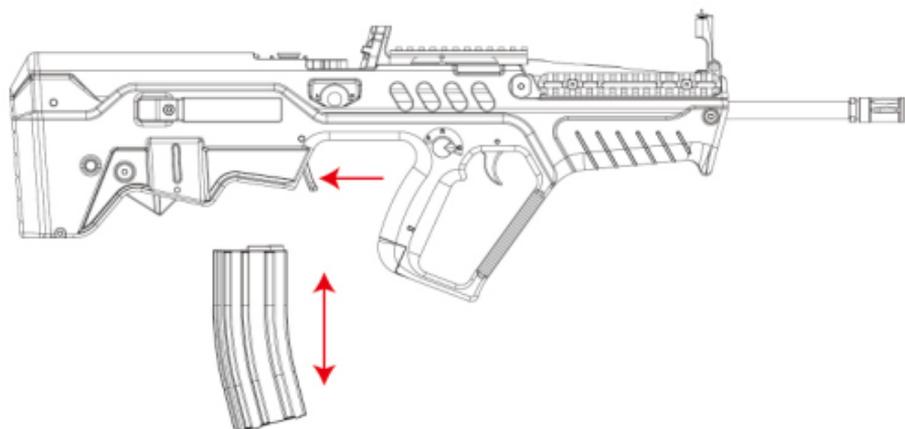
THE REPLACEMENT PARTS WILL BE AVAILABLE AT OURS LOCAL DISTRIBUTOR AND DEALERS

INSERT THE BATTERY

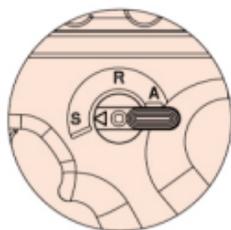
Use the specified battery for your gun.



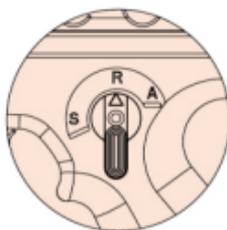
SETTING THE MAGAZINE



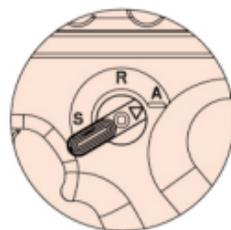
FIRING MODE



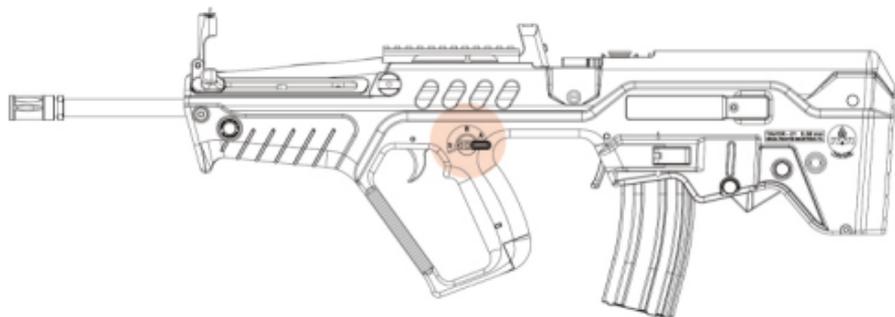
SAFETY



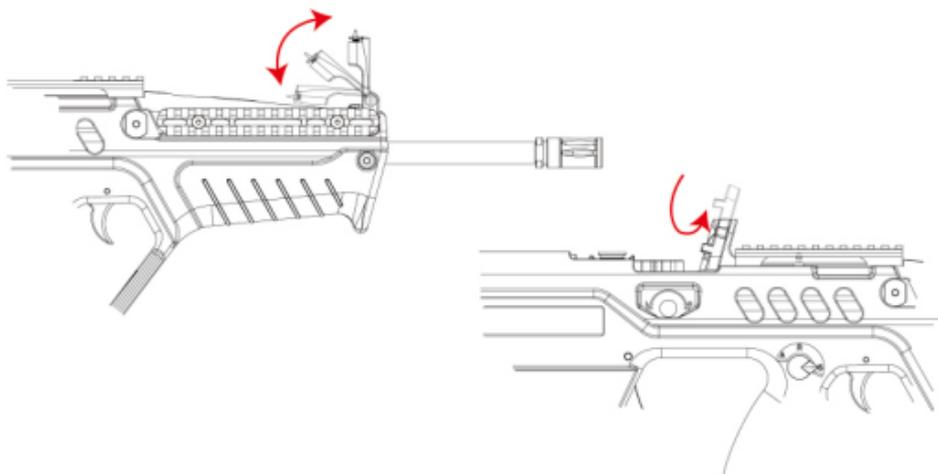
SINGLE



AUTO

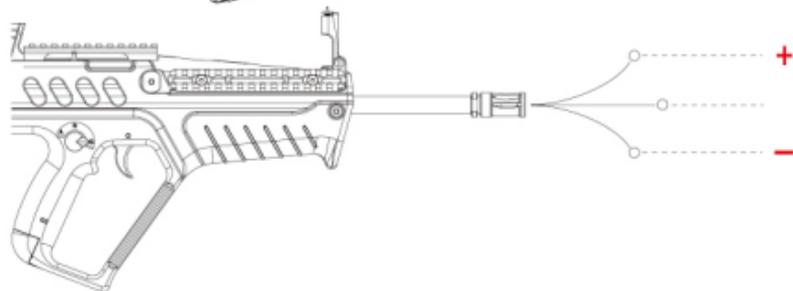
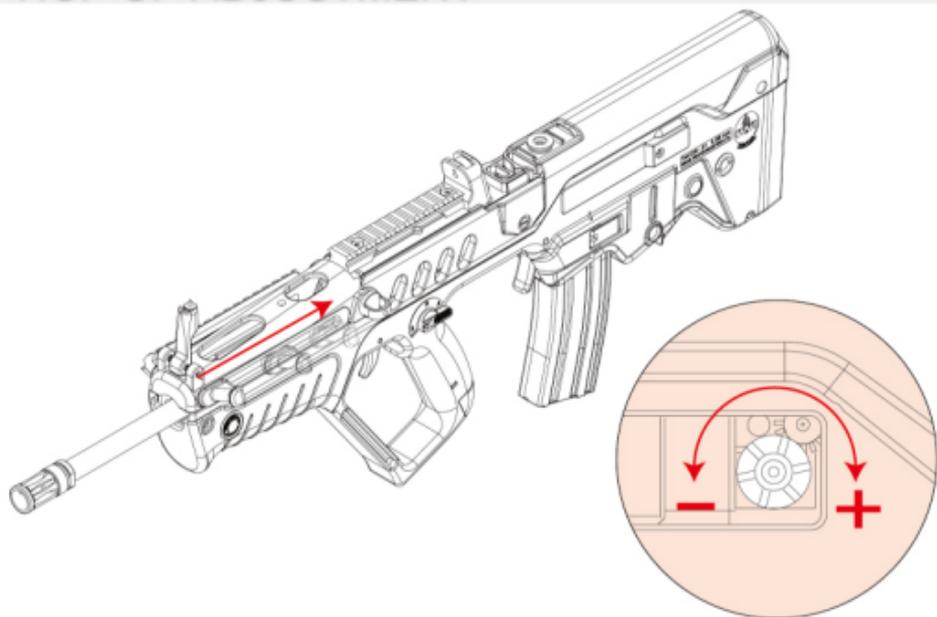


FRONT & REAR SIGHT



THE REPLACEMENT PARTS WILL BE AVAILABLE AT OURS LOCAL DISTRIBUTOR AND DEALERS

HOP UP ADJUSTMENT



DATA OF ARES TAR 21 ELECTRIC GUN

ARES TAR 21



FEATURES

- Compact Size
- One Push Bolt & Spring Release System
- TAR 21 Top & Side Rail Set Installed
- Flip-up Front & Rear Sight
- Adjustable Ambidextrous Charging Handle
- Fast & Easy Battery Replacement & Power Change
- Use M4/16 Magazine
- High-strength Polymer Body

| | |
|---------------------------|-----------------------------------|
| BATTERY: | 8.4V 1500mAh mini (2/3A) Nunchuck |
| MAGAZINE CAPACITY: | 130rds-6mm BB |
| MODE: | Full Auto / Semi / Safe |
| MATERIAL: | Nylon Fiber + Steel |
| MOTOR: | High Torque Flat Motor |
| HOP-UP: | Adjustable |
| LENGTH: | 787mm |
| WEIGHT: | 3500g |
| VELOCITY: | 350-380FP |



FOR MORE DETAIL INFORMATION PLEASE VISIT OUR WEBSITE

SAFETY

- DO NOT MODIFY OR ALTER YOUR AIRSOFT GUN. Attempts to modify the airsoft gun in way may make your airsoft gun unsafe to use, cause serious injury or death and will void the warranty.
- Always check to see if the airsoft gun is "ON SAFE" and unloaded when getting it from another person or from storage.
- Always keep the airsoft gun "ON SAFE" until you are ready to shoot in a SAFE DIRECTION.
- Misuse or careless use may cause serious injury.
- Do not look into the gun muzzle.
- Do not ever point the airsoft gun at anything you do not intend to shoot.
- You and other with you should always wear shooting glasses to protect your eyes.
- If your reading or prescription glasses are not safety glasses, make sure you wear shooting glasses over your regular glasses.
- Do not put the airsoft gun away loaded. Make sure ALL of the plastic BBs are unloaded from the airsoft gun.
- Do not shoot at hard surfaces or at the surface of water. The plastic BBs may bounce off or ricochet and hit someone or something you had not intended to hit. If the plastic BBs should happen to hit a hard surface, do not reuse those plastic BBs because they could cause possible damage to your airsoft gun.
- Use 6 mm plastic BBs only.
- Always put the airsoft gun in a case or bag when you carrying it.
- Always store this airsoft gun in a secure location and at the places out of reach by children.
- Always treat the airsoft gun as though it is loaded and with the same respect you would a firearm.
- Using unauthorized repair centers or modifying the function of your airsoft gun in any way may be unsafe and will void your warranty.
- We are not responsible for any malfunction, accidents, injuries or repair cost resulting from misuse, or by disassembly and modification of the airsoft gun.



Manufacturer & Brand Owner : Forever Good (Hong Kong) Ltd.



SHOOTER



Worldwide:

Ares Website: <http://www.aresairsoft.com>

General Enquiries: ares@aresairsoft.com

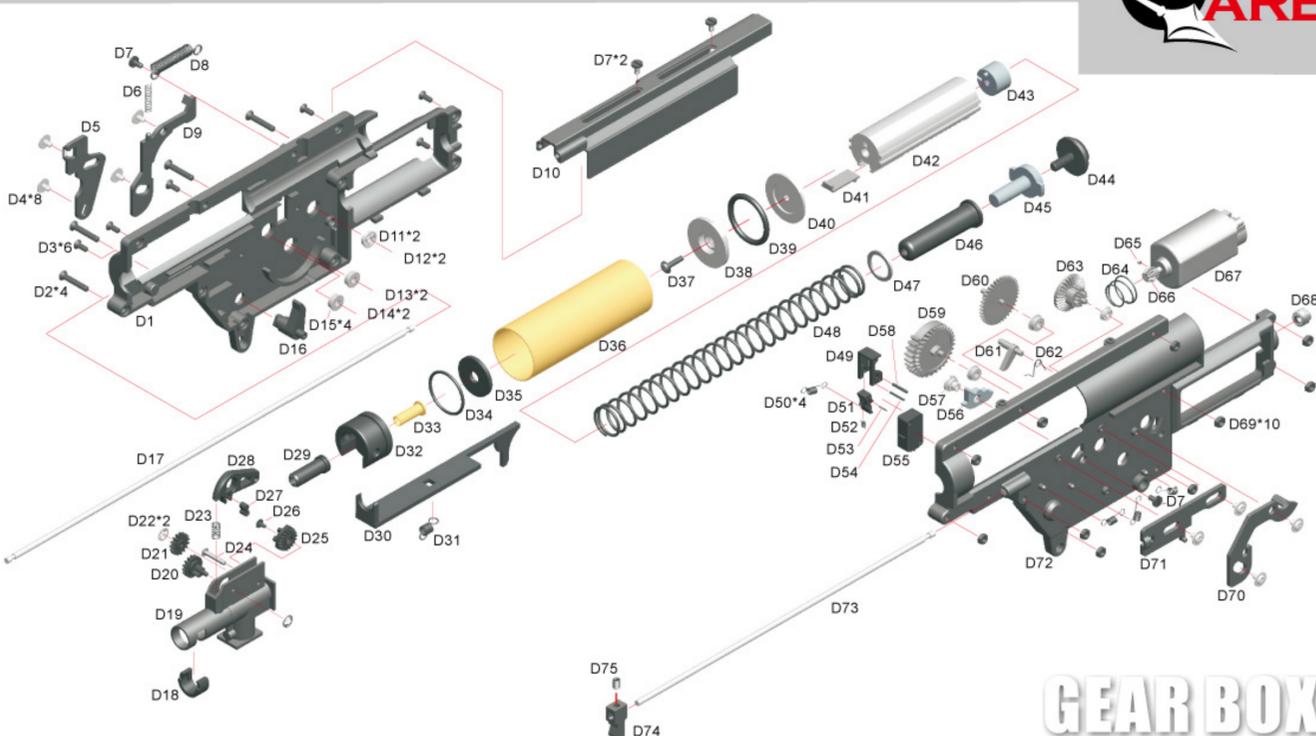
North America: ZShot

Exclusive Distributor - <http://www.ZShot.com>

Dealer Inquires: Sales@ZShot.com Technical Support: Support@ZShot.com



ARES AR-035



GEAR BOX MAGAZINE