

INSTRUCTION MANUAL



Users restricted to
18 years age or older

EG706/711/712/713/714
AUTOMATIC ELECTRIC GUN SERIES



Always read through this manual before operation.



WARNING



Only for 18 years
of age or older

Operation of this air gun for competition use is restricted to users of 18 years of age or older



Injury caution

Since plastic BB bullets reach 50 to 60 meters, careless shooting may cause eye damage or other injuries



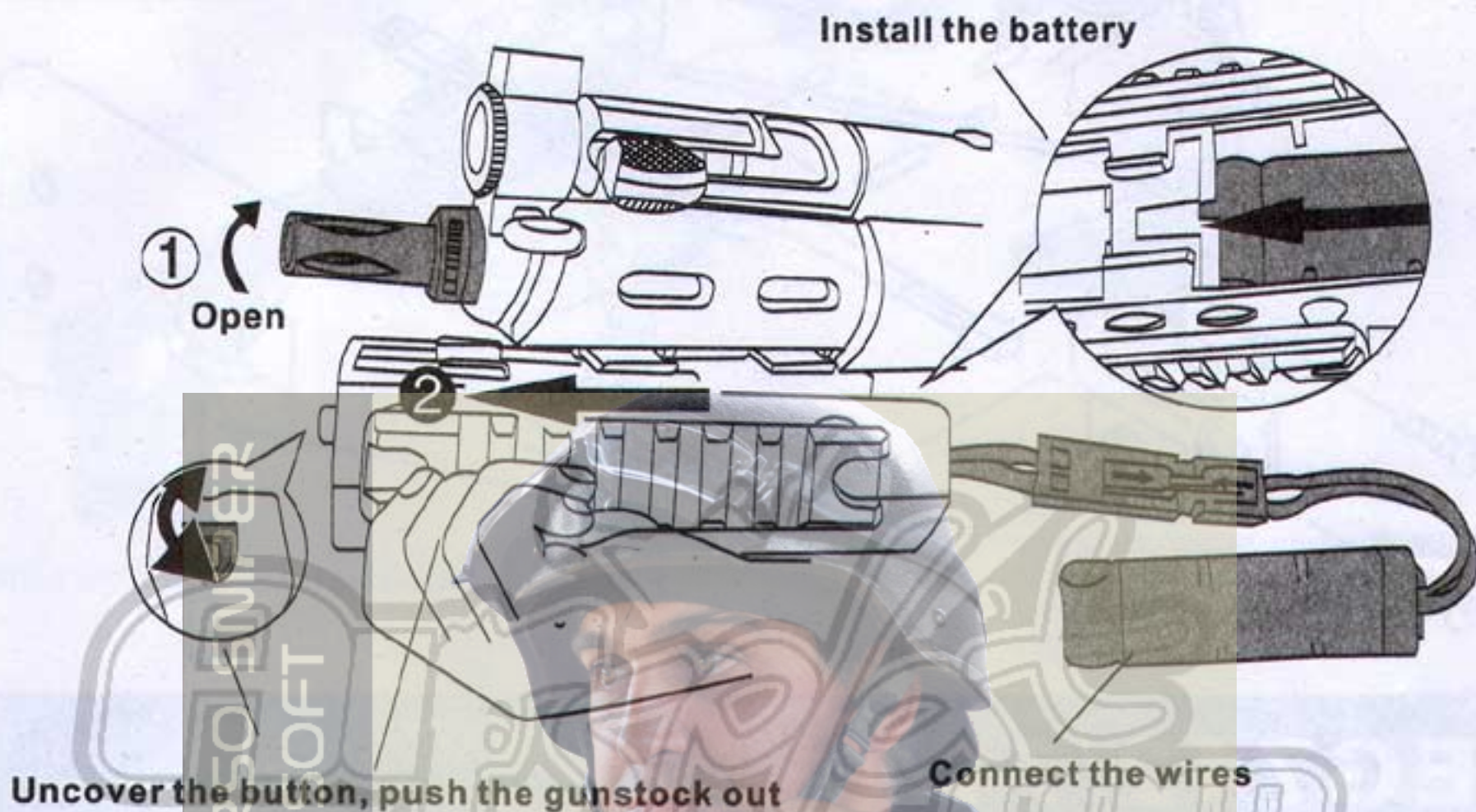
Careful reading of
Handling cautions
and
Instruction manual

Always read through this handling caution and instruction manual carefully before operation.
Operate the air gun with full recognition of warnings and cautions.

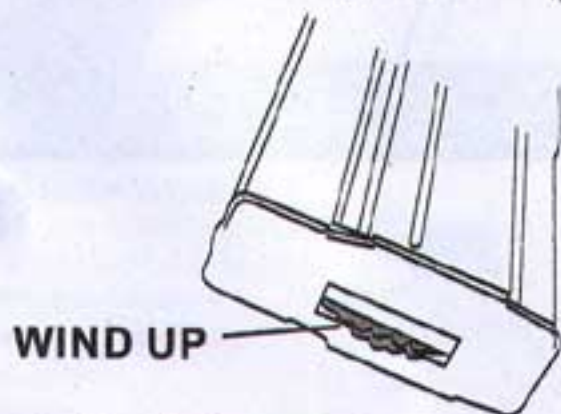
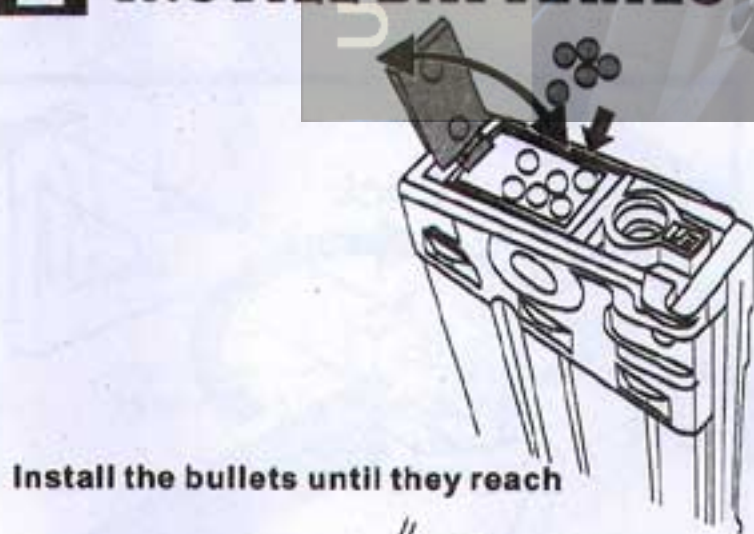
EG706/713

1 INSTILL BATTERIES

UNCOVER THE BUTTON, PUSH THE GUNSTOCK OUT;
INSTALL THE BATTERY, CONNECT THE WIRES.

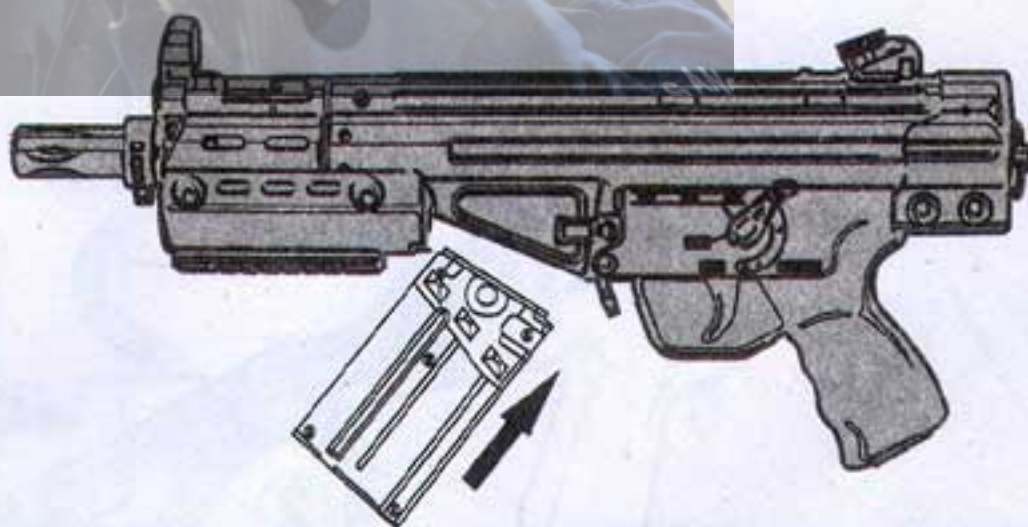


2 INSTILL BATTERIES



The chain style semi-automatic
cartridge magazine

3 INSTILL CARTRIDGE CLIP



4 ON/OFF AND TRIGGER



● ON/OFF state



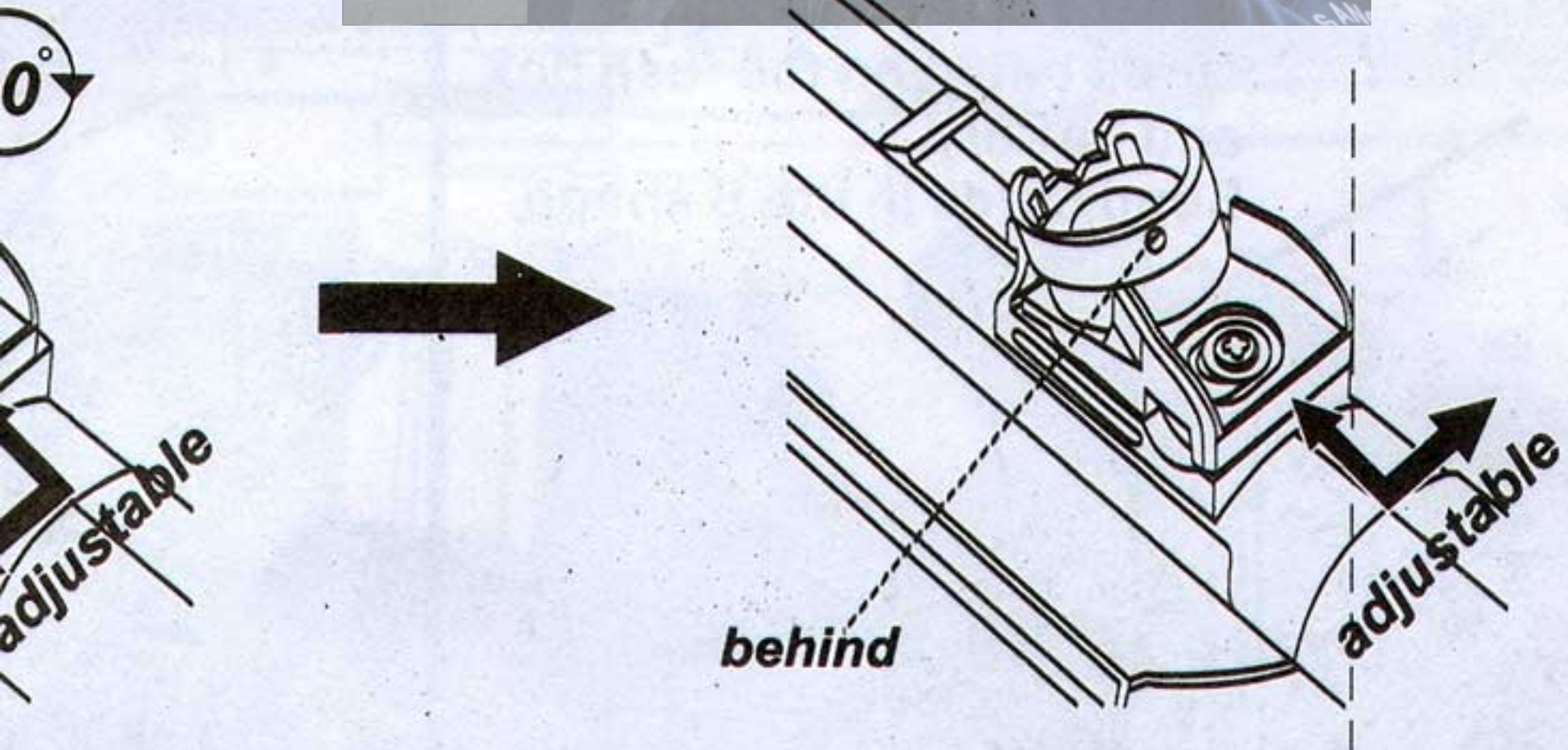
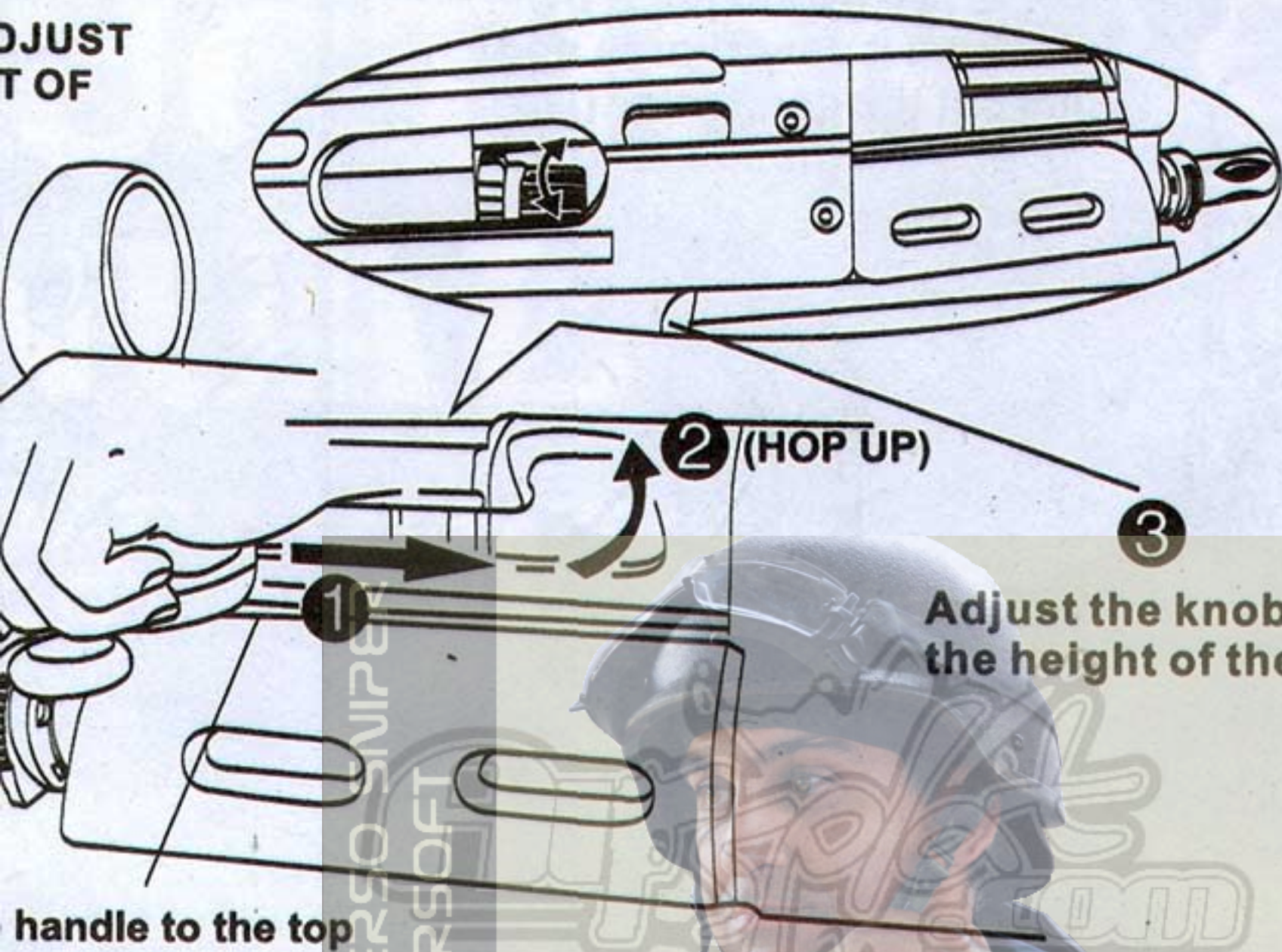
● Alone shooting state

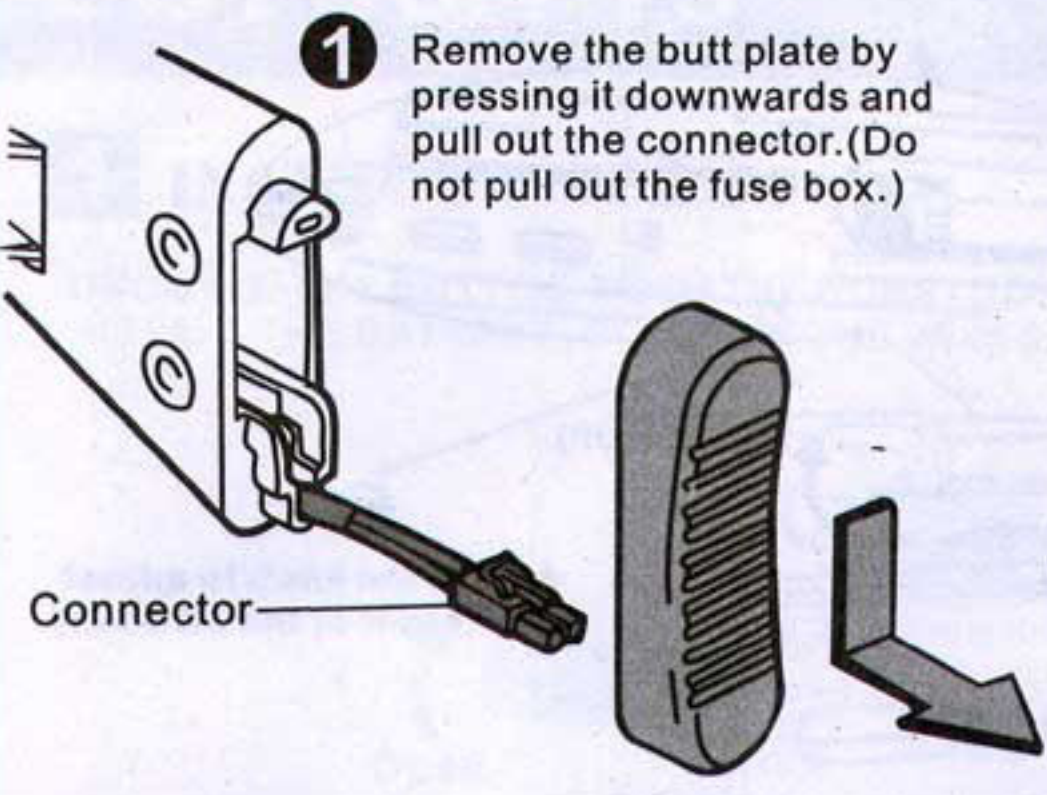


● Continuous shooting state

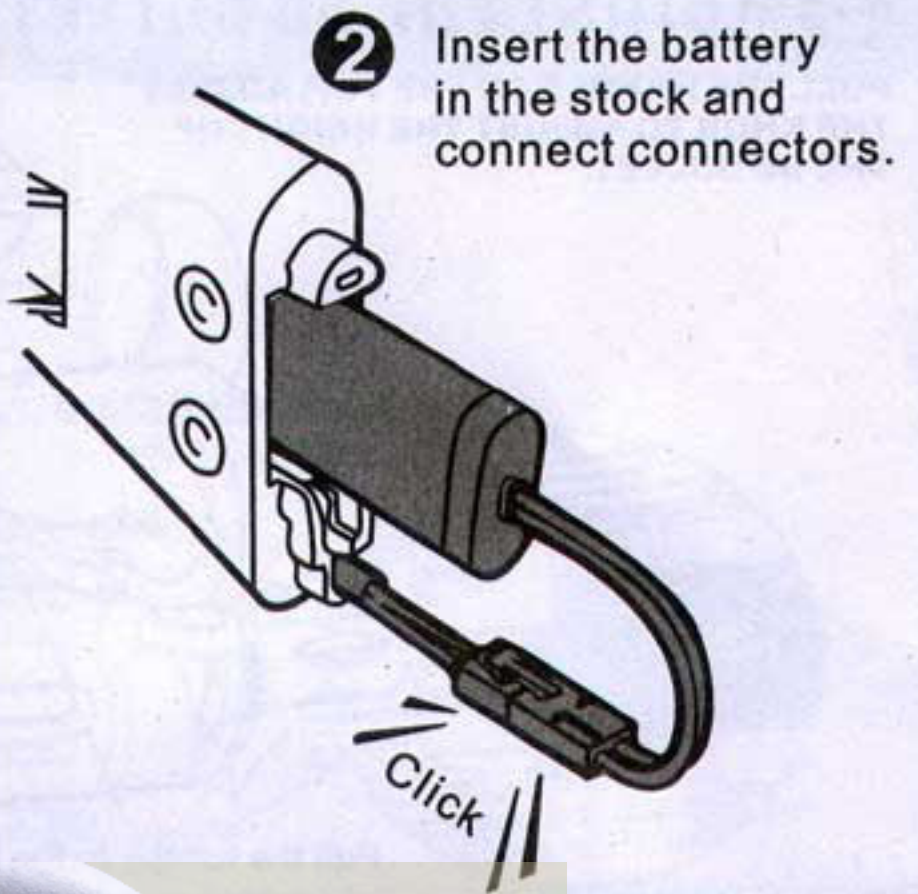
BULLET

ADJUST
T OF

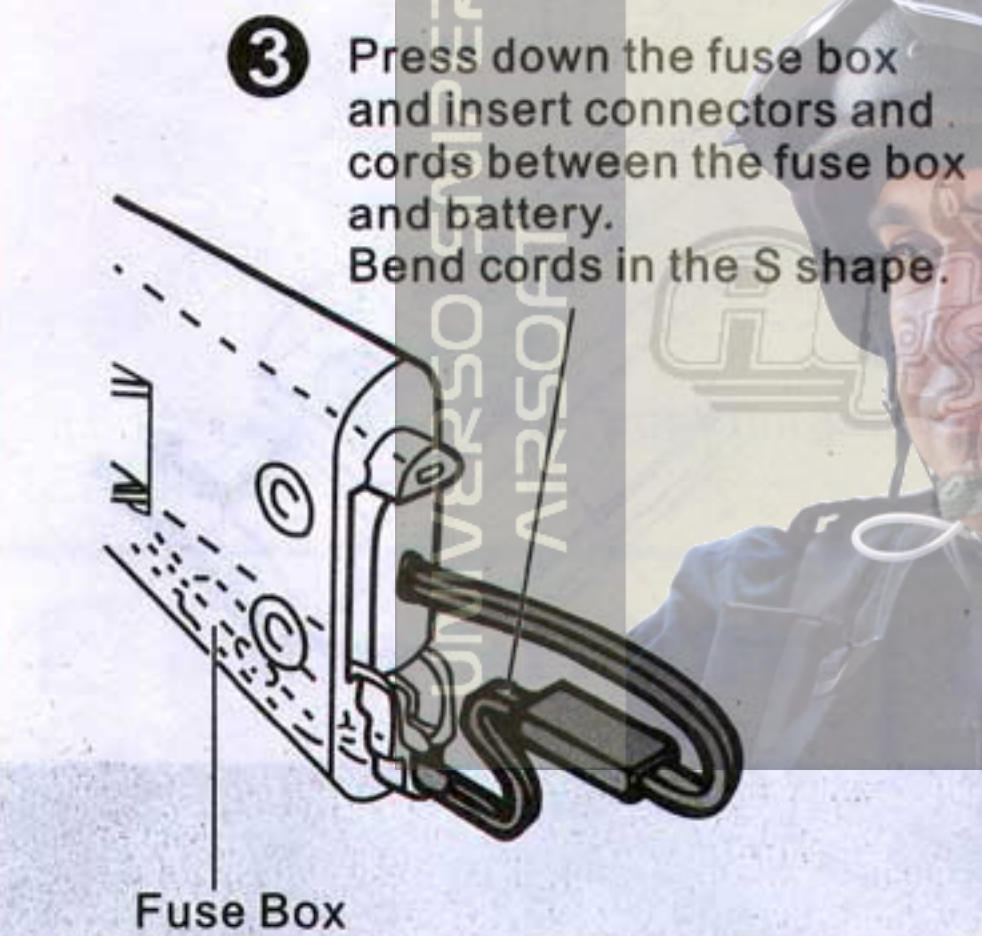




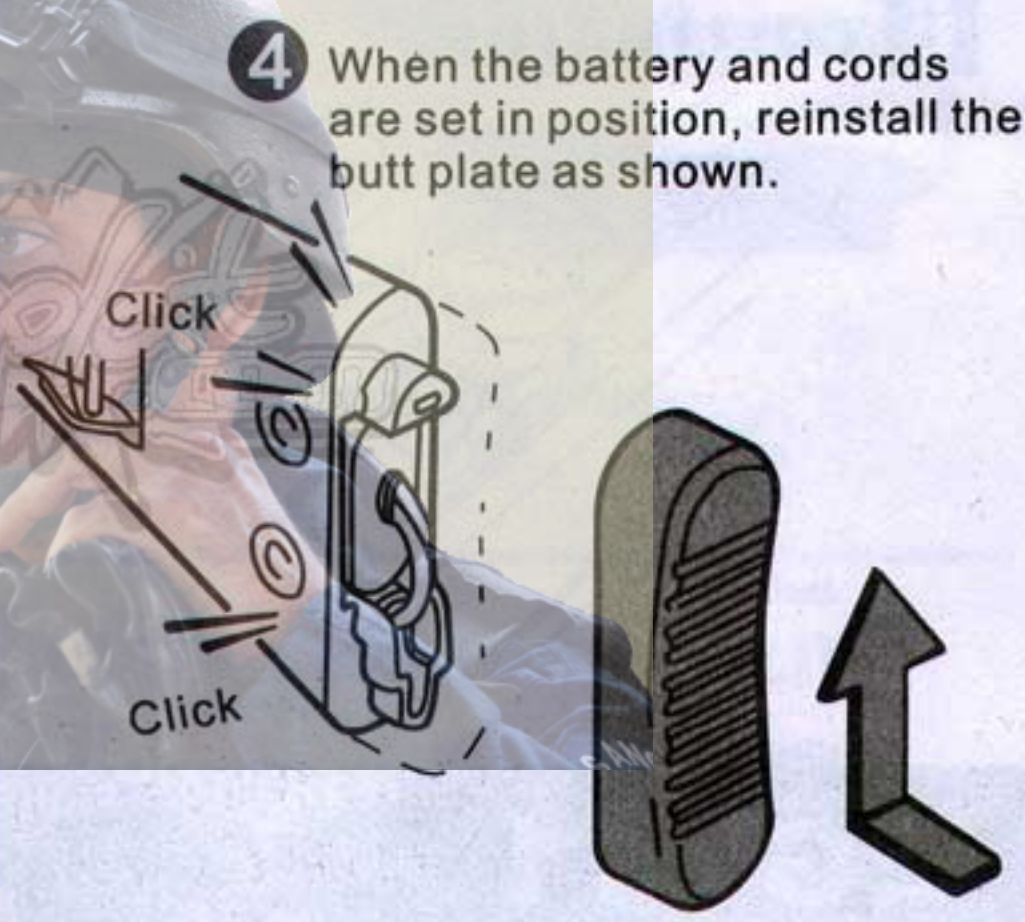
1 Remove the butt plate by pressing it downwards and pull out the connector. (Do not pull out the fuse box.)



2 Insert the battery in the stock and connect connectors.

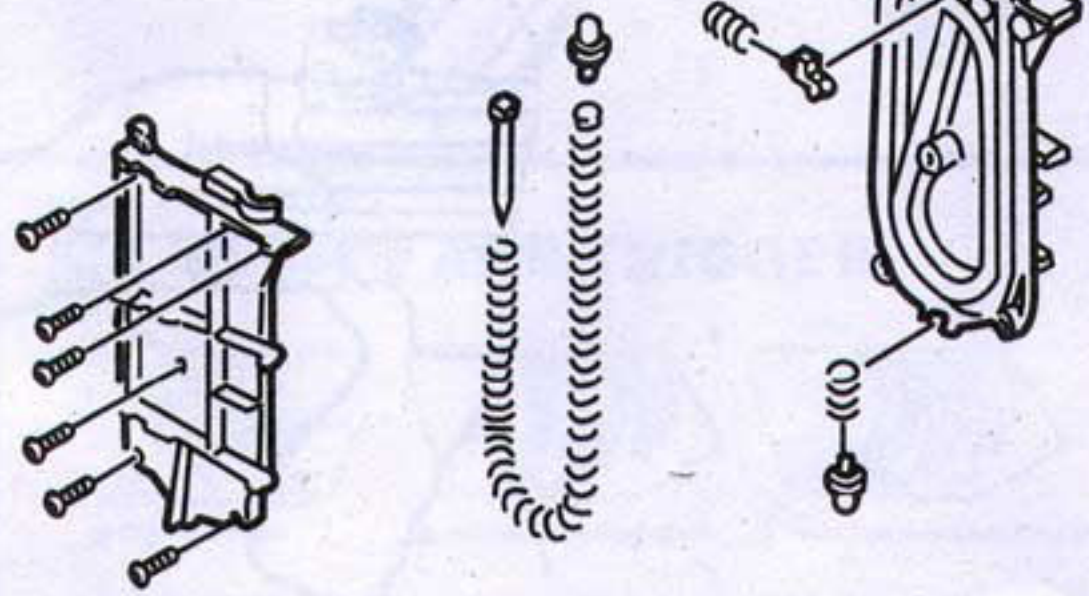
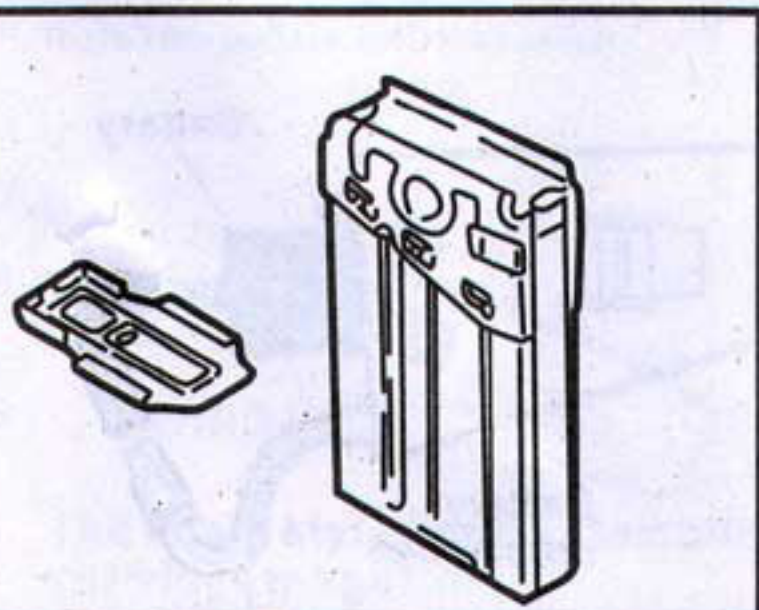


3 Press down the fuse box and insert connectors and cords between the fuse box and battery. Bend cords in the S shape.



4 When the battery and cords are set in position, reinstall the butt plate as shown.

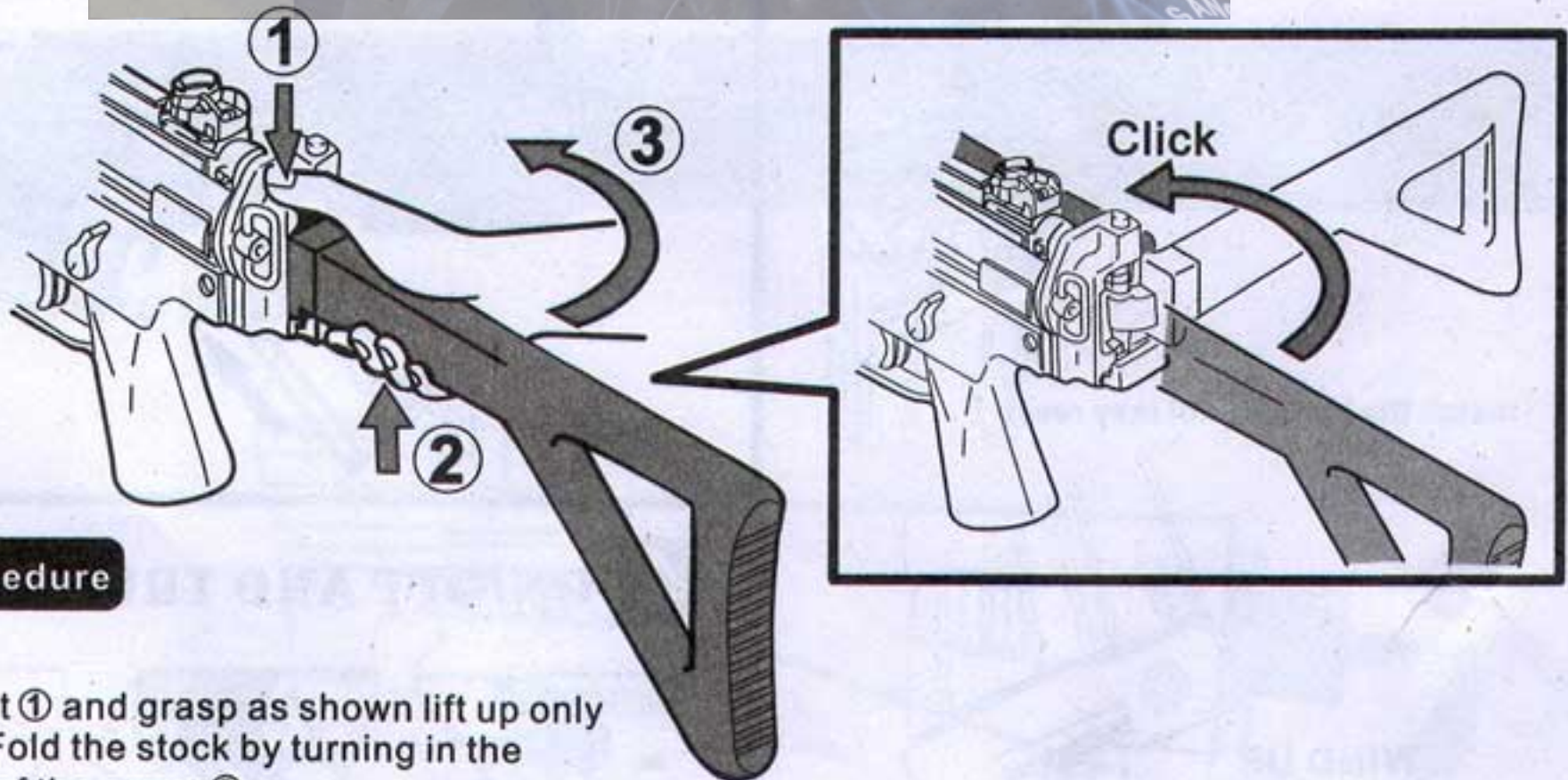
2 Fittings





EG712/714

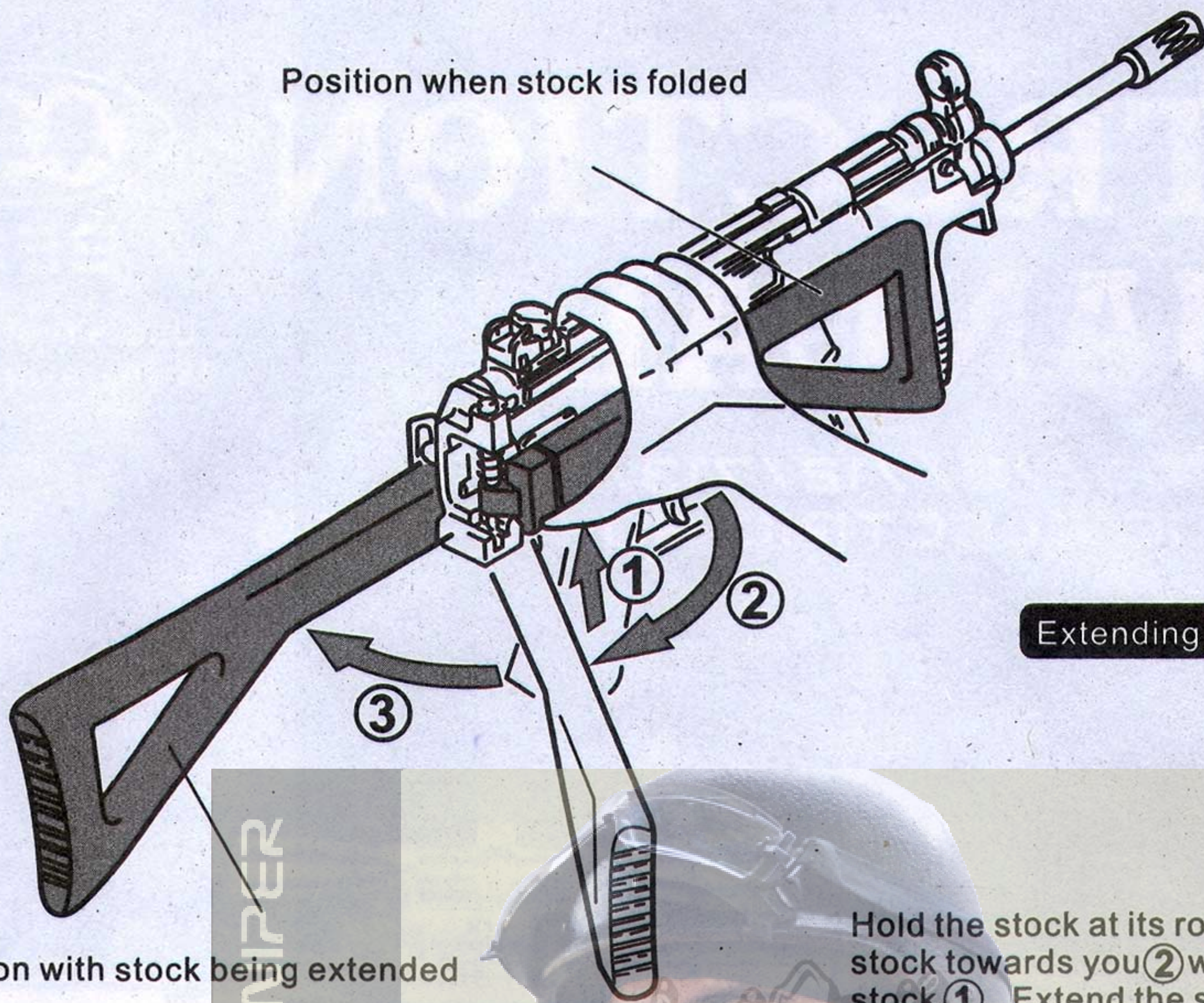
1 Stock Operation



Folding Procedure

Press part ① and grasp as shown lift up only stock ②. Fold the stock by turning in the direction of the arrow ③.

Position when stock is folded

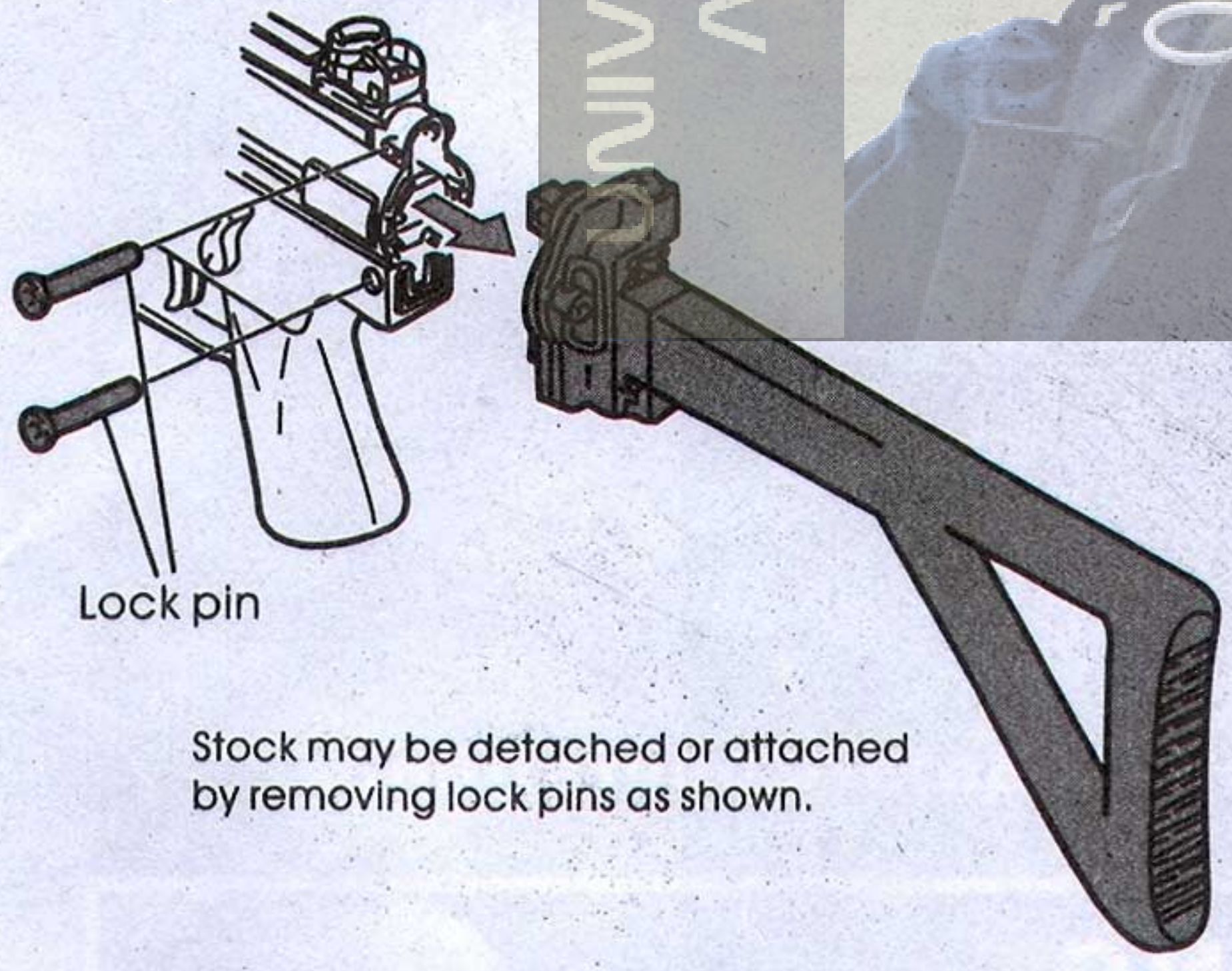


Extending Procedure

Position with stock being extended

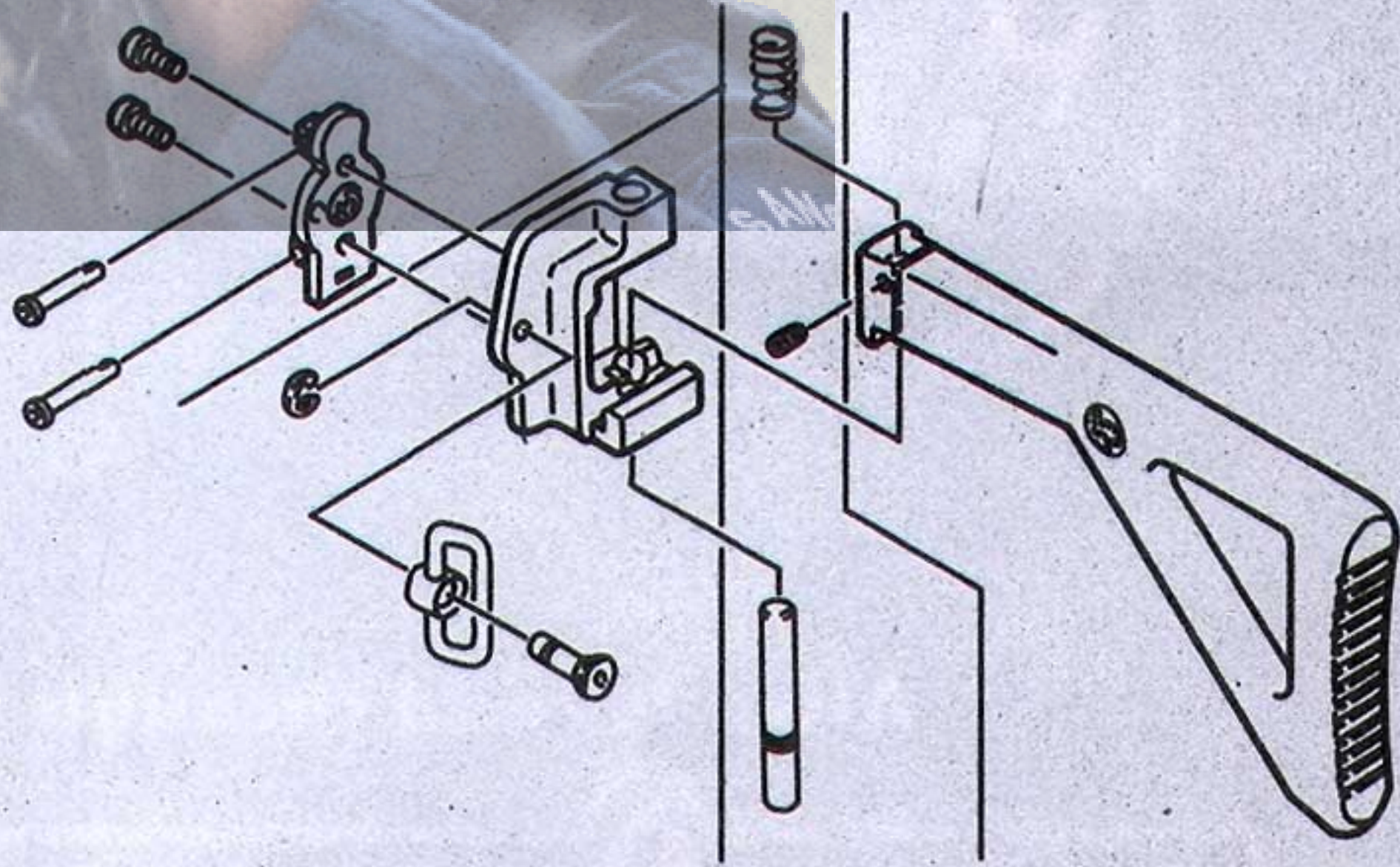
Hold the stock at its root as show. Pull stock towards you ② while holding the stock ①. Extend the stock to the original position ③.

2 Preparation for Battery



Stock may be detached or attached by removing lock pins as shown.

3 Fittings



ATTENTION

Never look at the muzzle
Never load any bullet into the gun until in shooting practice.
Never remodel the gun.
Put the gun at safe place where children can not touch.



Do not shoot at any human or animal.



Do not shoot at solids which can turn back the bullet.

