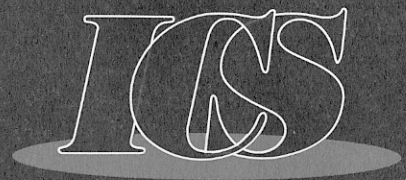
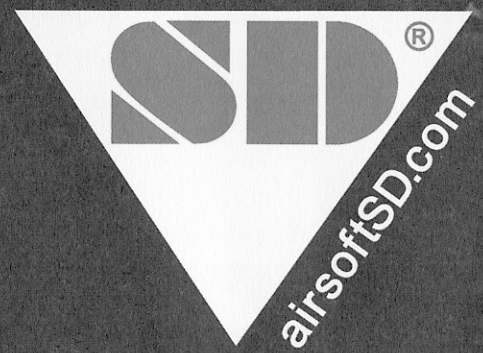


CAR-97

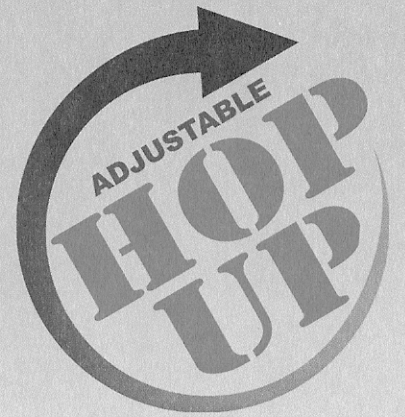
**MAN**



**TEAM**



Manufactured in Taiwan



**INSTRUCTION MANUAL**



## A Brief History of Olympic Arms

Olympic Arms was started as Schuetzen Gun Works (SGW), established in 1956 in Colorado Springs, CO primarily as a barrel manufacturer. The owner learned his trade from his first business partner the famous P.O. Ackley, and continued many of Ackley's work ethics and quality standards in the new enterprise. The company moved to Olympia, WA in 1975, and proceeded to manufacture barrels and related parts under the SGW name.

In 1982 Olympic Arms, Inc. was founded to manufacture AR-15 style components, and other military rifle parts - making Olympic Arms the second oldest continuous manufacturer of AR-style rifles in the U.S.. Originally our AR receivers were marked with not only the Olympic Arms name, but also with the SGW crest. The receivers received the rampant lion found in our logo in 1993, and they have remained that way ever since. We now produce some of the finest AR-style firearms available from a major manufacturer, with our top-of-the-line PCR-1 Ultramatch giving shooters sub-quarter inch groups at 100 yards on a regular basis.

Olympic Arms, Inc. is now the primary company, with the SGW name no longer being used. Olympic Arms has been a driving force in the AR industry since its conception, being the first company to mass produce features that are commonplace today. Some of these include the flattop receiver, the free-floating aluminum handguard, the 9mm conversion, and the AR-based pistol. They also manufacture several other calibers for the AR-series of rifles, many of which can only be found on their website.

Olympic Arms has also diversified in the last several years, and now manufacture their own bolt action magnum receivers, 10/22-style receivers and barrels, and many different pistol barrels. They also still produce some of the best barrel blanks available on the market today, using methods that they have refined for almost half a century. They are a company based on Old World traditions and standards, using a mix of tried and true techniques and 21st century technology.



# 使用說明書

## INSTRUCTION MANUAL

使用前請詳讀說明書，務必嚴格遵守  
注意事項及使用方法。

Read this manual before operation. Operate the Air Gun  
with full recognition of warnings and cautions.



1. 槍口不可指向人或動物
1. NEVER POINT THE MUZZLE TOWARDS A PERSON OR ANIMAL  
You may be liable if you injure a person or animal.  
This Air Gun is intended for use in designated area only.



2. 絕對不要由槍口探視，避免傷及眼睛
2. NEVER LOOK INTO THE BARREL REGARDLESS OF WHETHER YOU THINK IT IS LOADED OR NOT.  
If a BB Pellet hits your eye, you may be severely injured.



3. 請勿將槍置於未滿使用年齡之孩童容易取得之處
3. STORE THE AIR GUN IN PLACES OUT OF REACH OF MINORS.



4. 請勿任意將槍分解、加工、改造
4. DO NOT DISASSEMBLE OR MODIFY THE AIR GUN  
This Air Gun is manufactured under consideration of appropriate performance and operability. Disassembling or modifying the Air Gun may be dangerous and may adversely affect its performance. The manufacturer's warranty will be void.



5. 射擊時請戴上護目鏡以確保安全
5. ALWAYS WEAR PROTECTIVE EYE GEAR.  
When using the Air Gun, you and all participants must wear goggles. Always be aware of potential ricochets.



6. 槍在不使用時，請先關保險並拆下電池
6. PUSH THE FIRING SELECTOR TO (Safety Position) AND TAKE OUT THE BATTERY WHEN NOT USE.



7. 帶槍外出時，請用槍套包裝好
7. ALWAYS PUT THE AIR GUN IN A CASE OR BAG WHEN YOU CARRY IT, ESPECIALLY IN PUBLIC AREAS.



**警告**  
**WARNING**

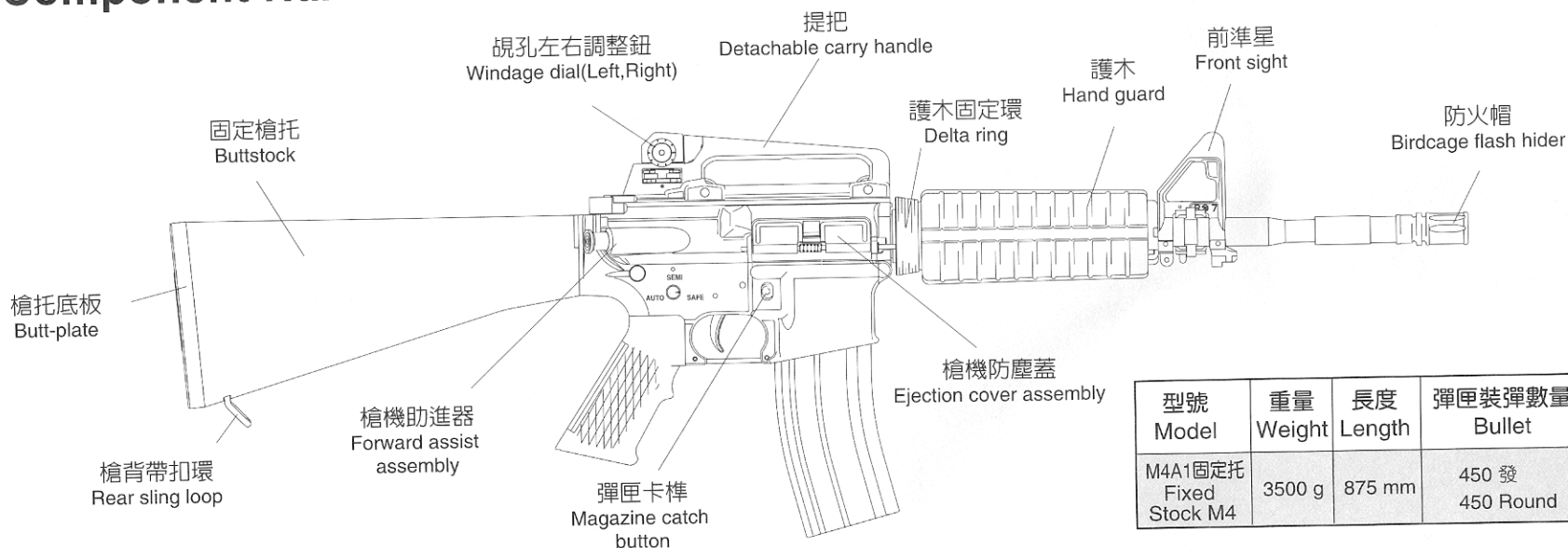
這個產品是針對18歲以上的消費者所開發的休閒運動的電動槍，請務必遵守遊戲規則。為避免讓別人誤認為真槍，帶槍外出時，請將槍以槍袋包裝，以避免不必要的誤會。

1. You must be 18 years or older to purchase and use this Air Gun. Carefully read and understand these instructions before use.
2. Since this Air Gun maybe mistakenly identified as the real firearm, you should never point the Air Gun towards a person in public so as to avoid serious consequences from armed law enforcement officers.

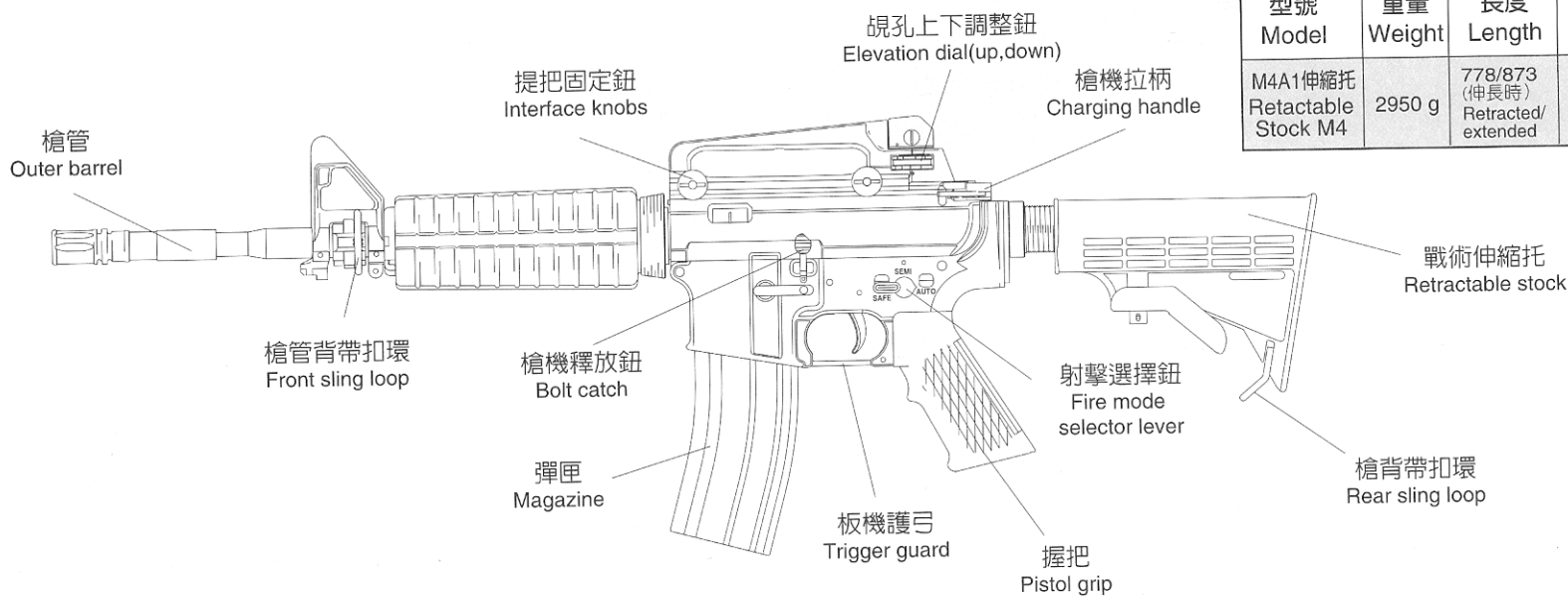
# 1

## 各部名稱：參考資料

### Component Names



型號 Model	重量 Weight	長度 Length	彈匣裝彈數量 Bullet	初速 Velocity	子彈 Caliber
M4A1固定托 Fixed Stock M4	3500 g	875 mm	450 發 450 Round	90-100公尺/秒 90-100 M/S	6 mm BB



型號 Model	重量 Weight	長度 Length	彈匣裝彈數量 Bullet	初速 Velocity	子彈 Caliber
M4A1伸縮托 Retractable Stock M4	2950 g	778/873 (伸長時) Retracted/ extended	450 發 450 Round	90-100公尺/秒 90-100 M/S	6 mm BB

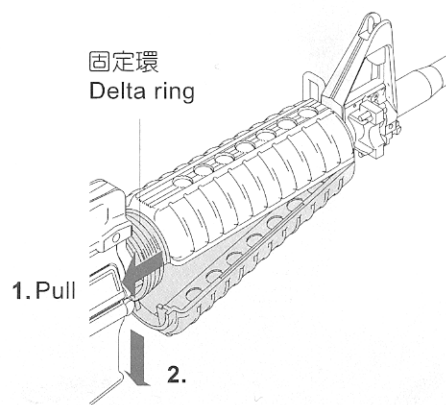


**ACTION!**

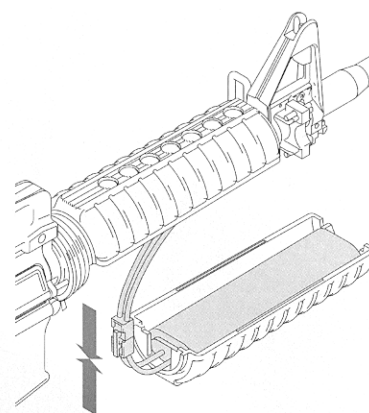
# 2

## 裝電池方法

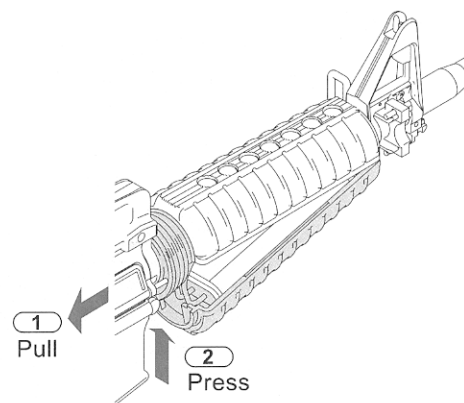
## Battery fitting method



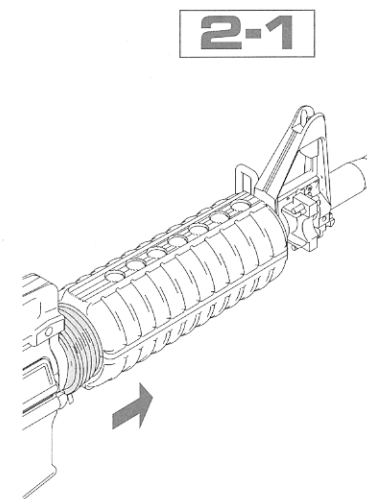
A. 依方向先將固定環往後拉再拆下護木。  
1. Pull back the delta ring.  
2. Take down the hand guard.



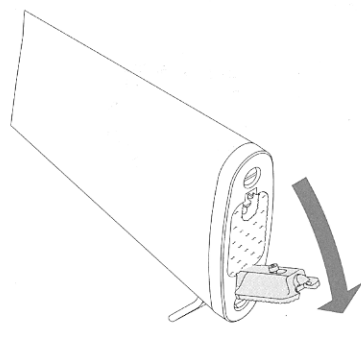
B. 將電池放入護木內再接上電線。  
Place the battery inside the hand guard and connect the connectors.



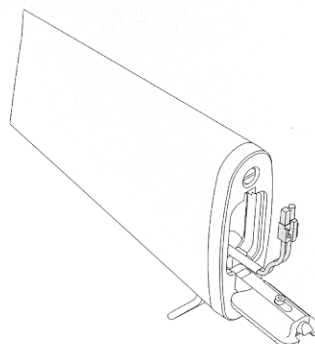
C. 依順序壓下固定環再將護木接上。  
Pull back the delta ring again and insert the hand guard back to place.



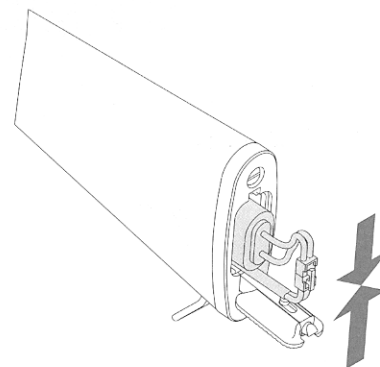
D. 護木固定環前推。  
Make sure the hand guard is secured in the delta ring.



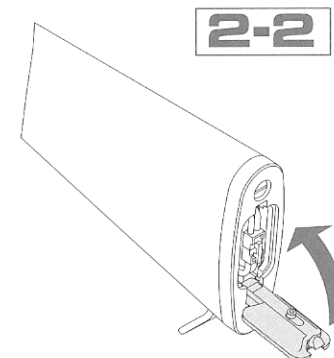
E. 將槍托底板蓋打開。  
Lower the buttplate latch with your fingernail and open the cover.



F. 拉出電線。  
Pull out the connector.



G. 將電池裝入接上電線。  
Insert battery into stock as shown and connect the battery.

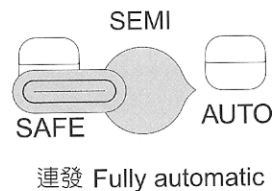
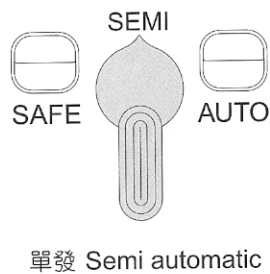
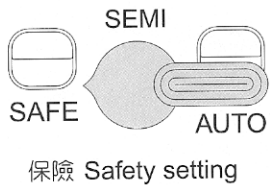
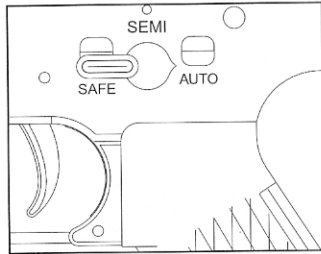


H. 將電池與電線定位好，再蓋上槍托底板蓋。  
Place the connector in place and close the cover properly.

### 3 精確射擊調整動作

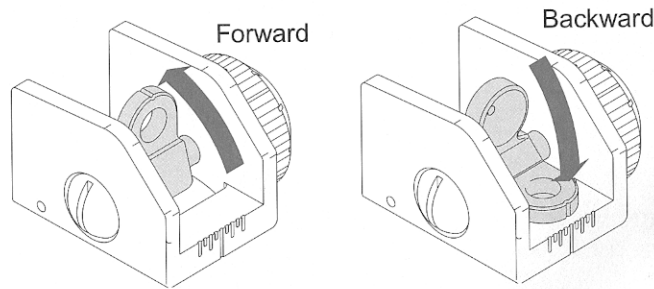
## Ironsight adjustment

### 3-1 單連發選擇方式 Selector lever setting



### 3-2 覘孔調整方式 Open sight adjustment

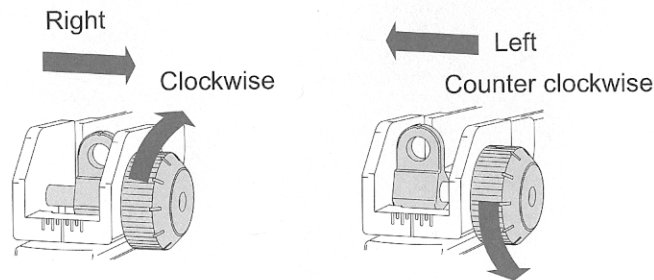
#### A: 精密射擊調整 Rear sight precision targeting adjustment



近距  
將覘孔往前推  
**Common/close-range/  
low-light shooting.**  
Push forward to engage  
battle sight.

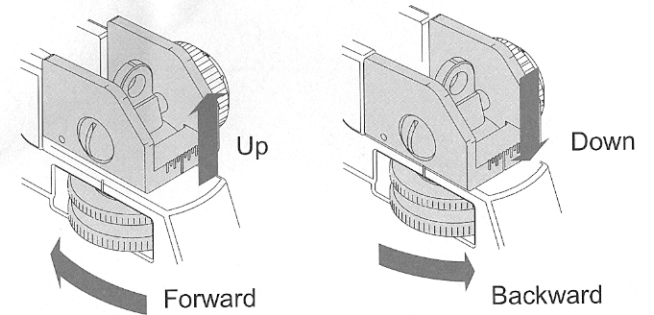
遠距  
將覘孔往後推  
**Precision daylight shooting.**  
Push backward to engage  
peep hole.

#### C: 覘孔左右調整 Rear sight left-right adjustment



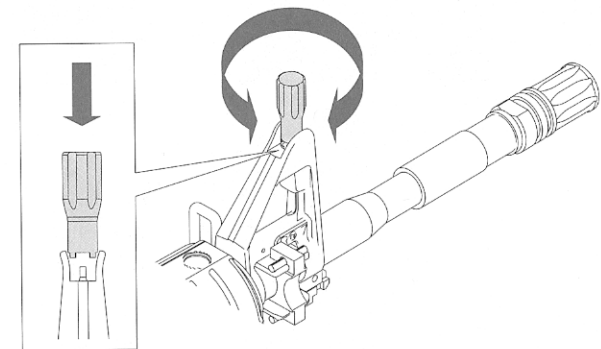
依旋鈕方向旋轉即可將覘孔組左右調整  
Turn clockwise to aim right.  
Turn counter clockwise to aim left.

#### B: 覘孔高度調整 Rear sight up-down adjustment



將調整鈕往前轉即可昇高覘孔組，  
將調整鈕往後轉即可降低覘孔組。  
Turn the dial forward to raise the hitting point.  
Turn the dial backward to lower the hitting point.

### 3-3 準星高度調整 Front sight adjustment

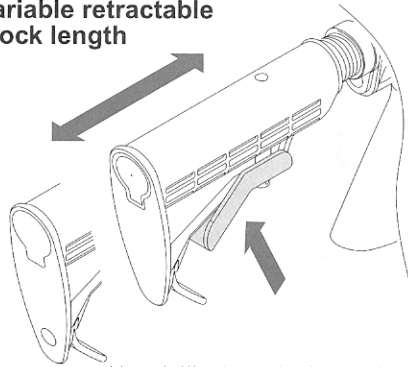


將準星調整桿壓入定位轉動即可調整高低  
Turn clockwise to raise B.B. hitting point.  
Turn counter clockwise to lower B.B. hitting point.

## 4 可動部的說明 Movable parts

### 4-1

#### 伸縮托長度調整 Variable retractable stock length

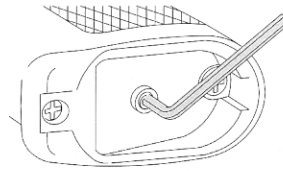


按下卡榫，即可將伸縮托向後拉或向前推，共有6段可供調整長度。

Push the stock release lever to unlock. Adjust the 6 position retractable stock to the most comfortable position.

### 4-2

#### 馬達間隙調整 Fine adjustment of gear engagement

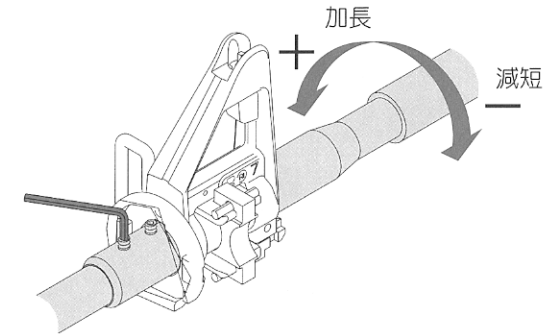


以六角扳手將馬達齒輪間隙調整到最佳位置。（出廠前已調整好）若無特殊需求時，請勿自行調整。

Using a hexagonal allen wrench to fine tune the engagement between motor and gear.

### 4-3

#### 槍管長度變化 Variable barrel length



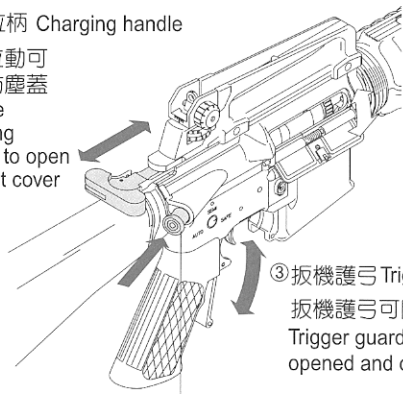
使用六角扳手，將槍管固定螺絲鬆開，即可旋轉槍管，視配件需求調整槍管長度。

Use a hexagonal wrench to adjust the barrel length to suit best battle position.

### 4-4 可作動作 Movable parts

#### ① 槍機拉柄 Charging handle

拉柄拉動可打開防塵蓋  
Pull the charging handle to open the port cover



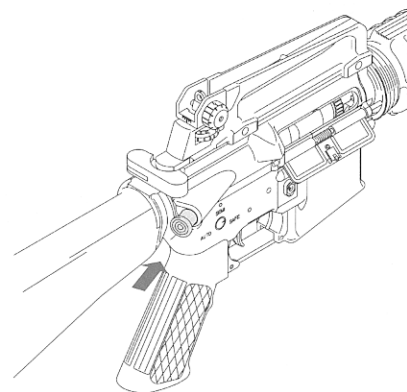
#### ③ 扳機護弓 Trigger guard

扳機護弓可開或關  
Trigger guard can be opened and closed

#### ② 槍機助進器 Forward assist knob

槍機助進器能夠推動  
Forward assist knob can be pushed.

### 4-5 止逆轉釋放鈕 Forward assist knob



1.收槍前及不使用時按止逆轉釋放鈕，可將活塞彈簧回覆至原處。

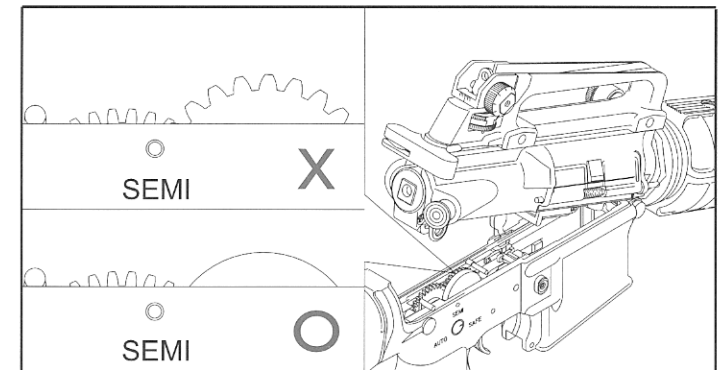
2.槍身做分解時，必須先釋放活塞彈簧，才可做分解動作。

1.Push the forward assist knob to release the spring tension before storage.

2.Push the forward assist knob before you assemble the gear box.

### 4-6 槍身結合3號齒正確位置圖

#### The correct position of No.3 gear before reassembling



3號齒在槍身結合時，必須轉到正確位置，才可將上槍身蓋下。

Make sure No.3 gear is turned to the correct position before you reassemble the receiver/gearbox.

# 5

## 彈匣使用方式

### Magazine

#### 5-1

##### 裝BB彈方式 load BBs

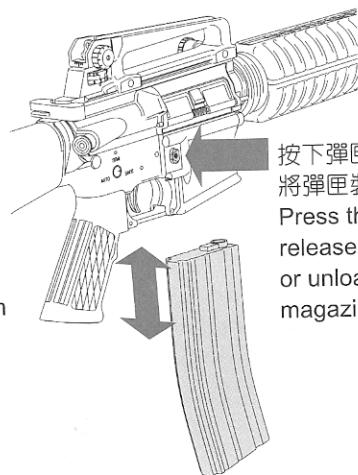


將彈匣上蓋依箭頭方向推開再倒入B.B.彈  
Open the cover to load BBs. Please use ICS 6mm caliber BBs for optimum Performance.

依箭頭方向旋緊彈匣底下旋鈕，即可將B.B.彈順利送出。  
To charge BB feed spring, please wind magazine.

#### 5-2

##### 彈匣上下方式 Magazine loading and unloading



按下彈匣卡榫即可將彈匣裝入或拆下  
Press the magazine release lever to load or unload the magazine.

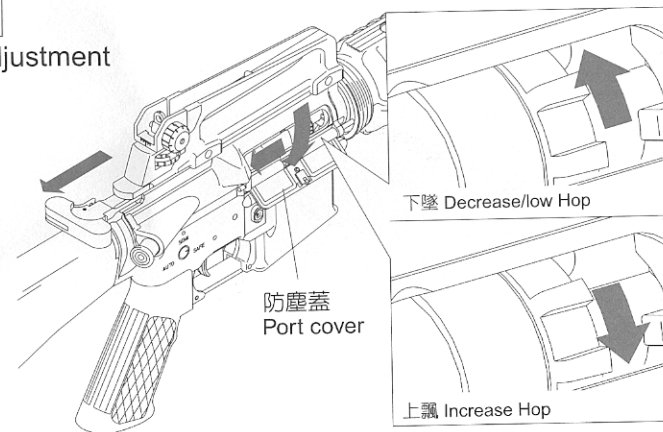
# 6

## HOP-UP彈道調整

### Hop-up

#### 6-1

##### Hop-up adjustment

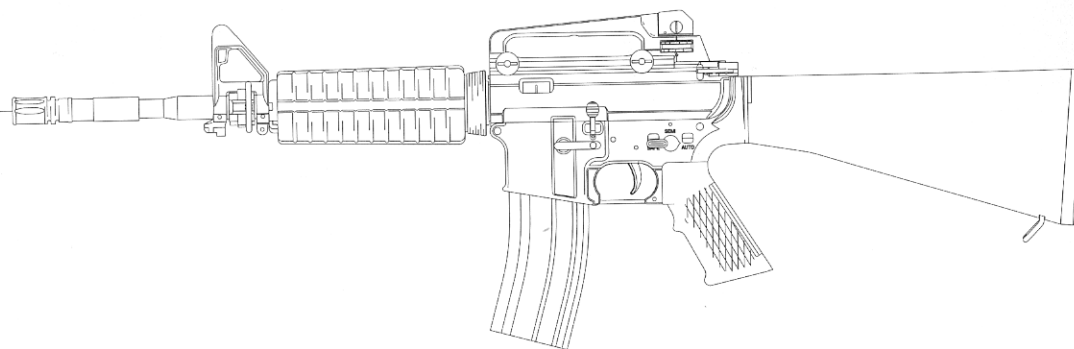


- 將槍機拉柄向後拉，防塵蓋即打開
- Pull backward the charging handle opens the bolt covers for adjustment of Hop-up unit.

- 調整法：  
子彈如果向上飄，將Hop - up環向上旋轉，如果向下墜就要向下旋轉，讓B.B.彈呈一直線的射出才是正確的位置。
- Adjustment  
Pull back the charging handle this opens the bolt cover for adjustment of Hop-up unit.

#### 6-2

- ✗ 上飄 Decrease adjustment
- 正確 Best trajectory
- ✗ 下墜 Increase Hop





# 7

## 齒輪箱拆解

## Disassemble Gear-box

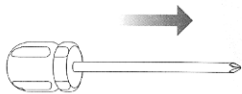


注意  
CAUTION

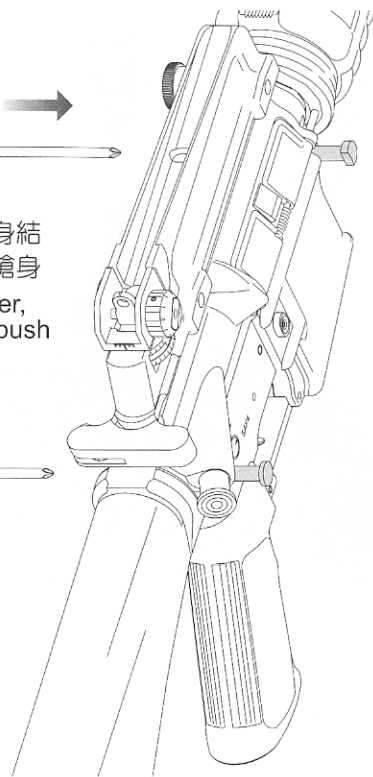
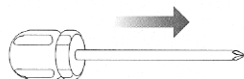
※重新組裝時，必須依反向動作組合。

Reassembly is the reverse of disassembly procedures.

7-1

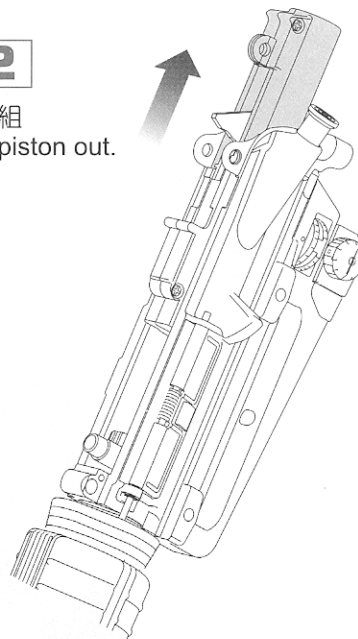


使用起子依方向將槍身結合銷推出即可打開上槍身  
To open upper receiver, use a screwdriver to push out frame lock pins.



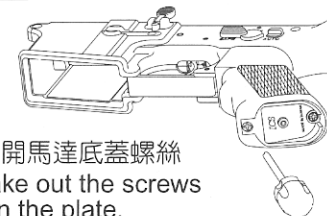
7-2

拆下活塞組  
Take the piston out.



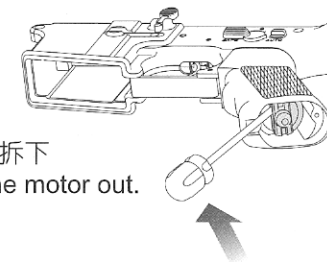
7-3

旋開馬達底蓋螺絲  
Take out the screws on the plate.



7-4

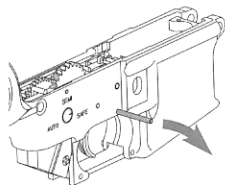
將馬達拆下  
Take the motor out.



7-7

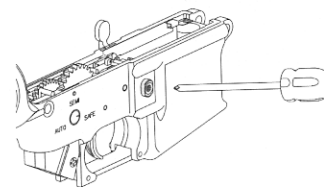
OK

推出齒輪箱與槍身的結合銷，即可分解齒輪箱及槍身  
Push the lock pin to disassemble Gear-box and receiver.



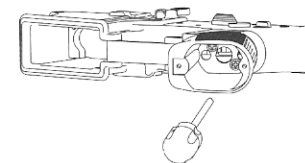
7-6

旋開彈匣卡筍螺絲  
Take out magazine release lever.



7-5

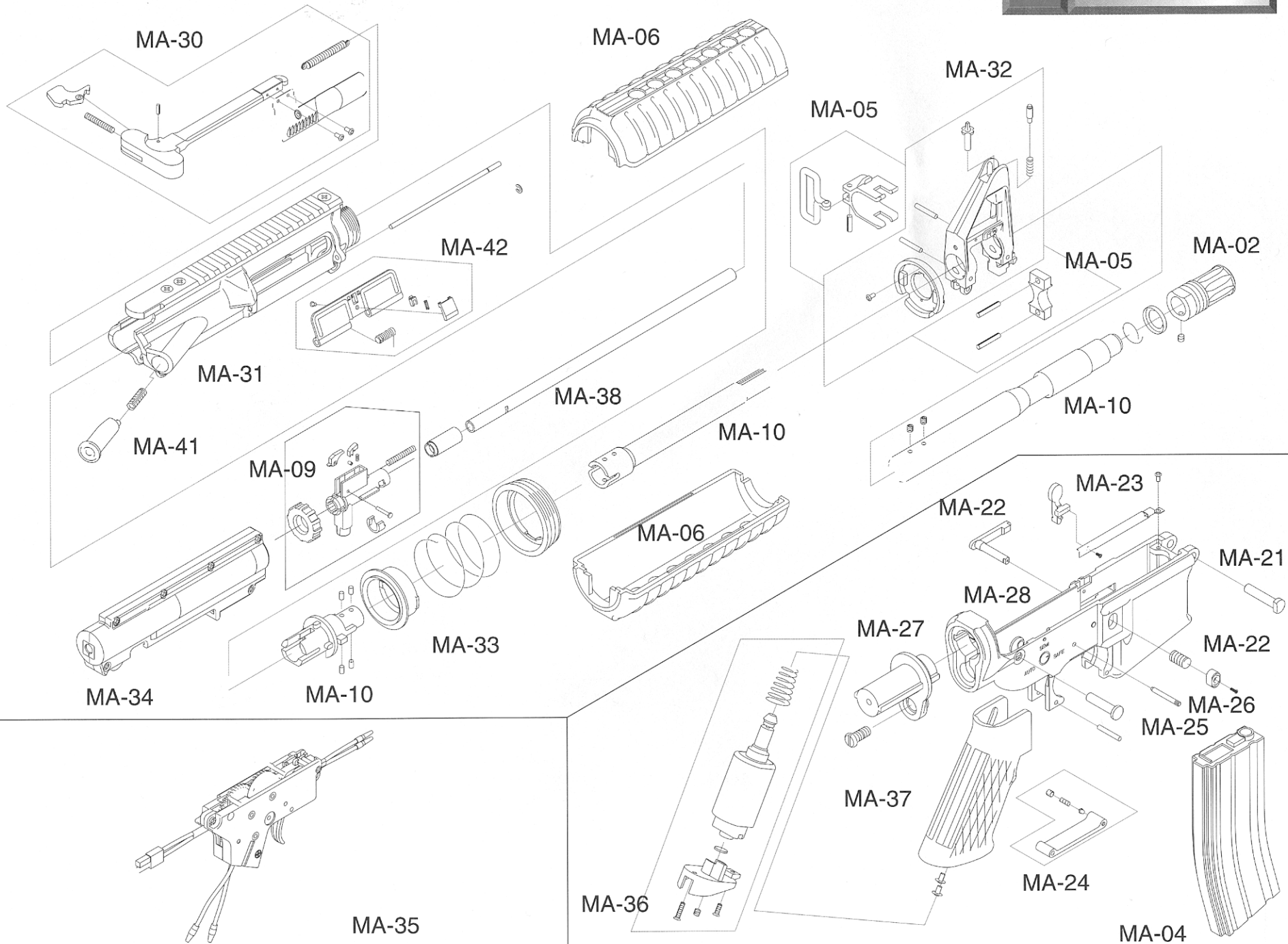
旋開握把內螺絲  
Take out inner screw in the pistol grip.



旋開線槽螺絲  
Take out the screw of wire concarity.



# 8 各部零件説明



## WARRANTY POLICY

Warranty service will be handled by Specialized Distribution. No COD returns accepted. Warranty registration cards are required to be submitted by customers to validate warranty.

1. The CAR-97 comes with a 30 day manufacturers warranty against defects and damage.
2. Warranty begins from the date of the original retail purchase.
3. Warranty is limited to replacement of manufacturer defect components.
4. This warranty does not cover failure to operation due to mishandling, introduction of foreign matter to outer and inner components. Warranty does not cover failure in operation due to breakage of internal components due to introduction of petroleum based solvents or lubricants.
5. Abuse or physical damage to an item will void your warranty. This includes disassembly, removal, modification, or damage to the orange safety markings on the barrel.
6. Warranty will be null and void if improper size, or low quality/grade BB's are introduced into the mechanism.
7. Warranty is void if AirSoft product is disassembled by non-factory authorized personnel.
8. Warranty is only valid in the United States.
9. Warranty does not cover normal wear and tear on: Internal mechanical components, electric motors, gear drives, switches, levers, valves, o-rings, springs, batteries, and or chargers.
10. Warranty only applies to the AirSoft Electric hobby gun. Accessories are not covered by warranty.
11. Warranty does not cover shipping costs, to and from the customer.

## TROUBLE SHOOTING FAQ'S

1. What if the gun doesn't fire?
  - If the rifle stops firing, DO NOT continue to fire. Further engagement of trigger may damage firing mechanism and will NOT be warranted.
  - Check to see if the Battery is properly connected.
  - Make the sure the battery is fully charged.
  - Check to see if the fuse is blown
  - Make sure the Magazine is fully seated into the reciever.
  - Check to see if the Magazine is wound up. DO NOT overwind. This will damage the spring and cause your magazine to misfeed.
  - Check to see if the safety is off. Contact your service technician for assistance.
2. If the gun jams:
  - DO NOT try to disassemble (this will void the warranty)
  - Make sure the magazine and battery are out of the rifle and carefully insert cleaning rod to unjam BB's. **WARNING: Be sure to insert the BB Breaker end of the cleaning rod, and NOT the swab end.** If this does not work, contact your service technician for assistance.

## MAINTENANCE

### Gun

1. Use only the recommended voltage battery, or you may void the warranty.
2. DO NOT Dry fire the gun at any time.
3. To keep the outer appearance maintained, wipe down the gun with a soft cloth and some Silicon Oil.
4. Drop a drop of Silicon or Gear Oil down the BB feed opening (Not the BB load opening). Note: It may take up to 50 rounds to clear the Oil upon subsequent use, before maintaining accuracy.
5. Although your airsoft rifle looks like a real firearm, it is considerably more delicate. DO NOT subject it to strong shock or submerge it in water.

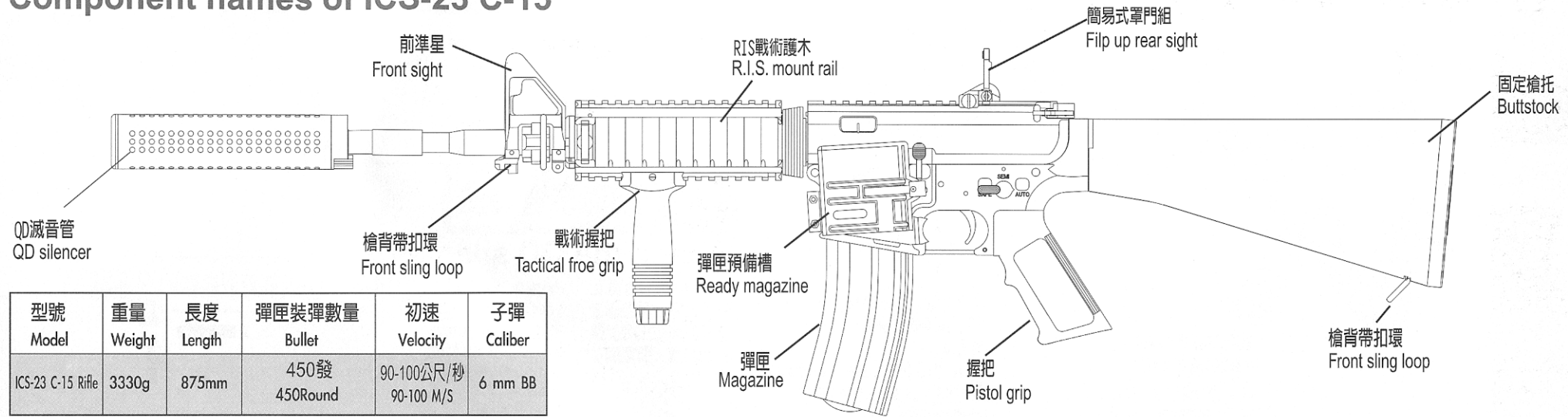
### Battery

1. Store at room temperature
2. Keep out of direct sunlight and heat.
3. Do Not overcharge the battery.
4. When battery becomes hot when charging, remove from charger.
5. Never remove the battery cover, or modify the battery in any way.
6. Do not puncture the battery.

**TREAT YOUR AIRSOFT RIFLE WITH RESPECT. NEVER POINT AT PEOPLE, OR ANIMALS. ALWAYS WEAR THE APPROPRIATE SAFETY GEAR.**

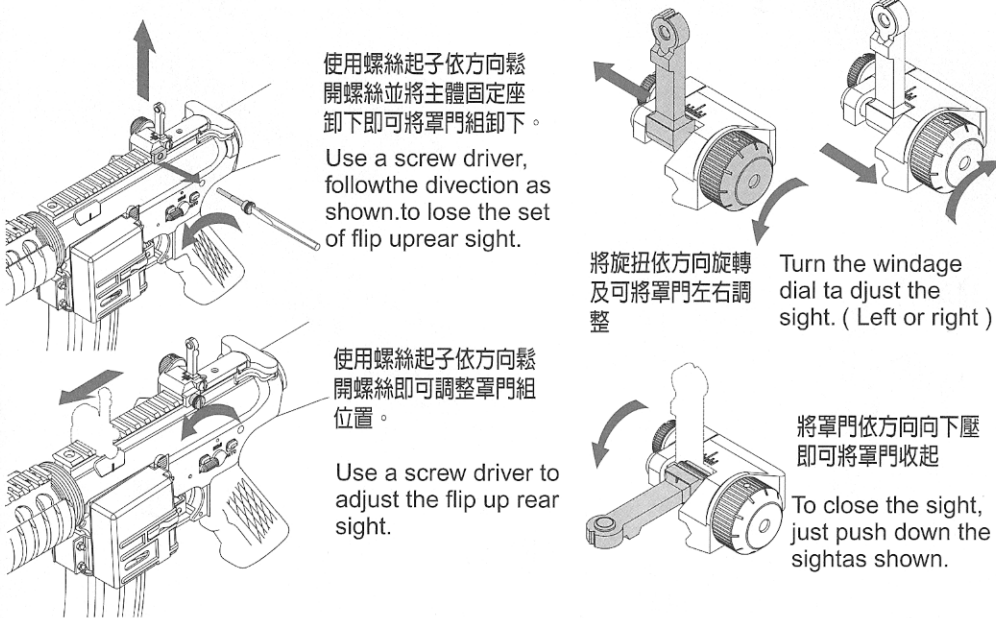
# 1 各部名稱

## Component names of ICS-23 C-15



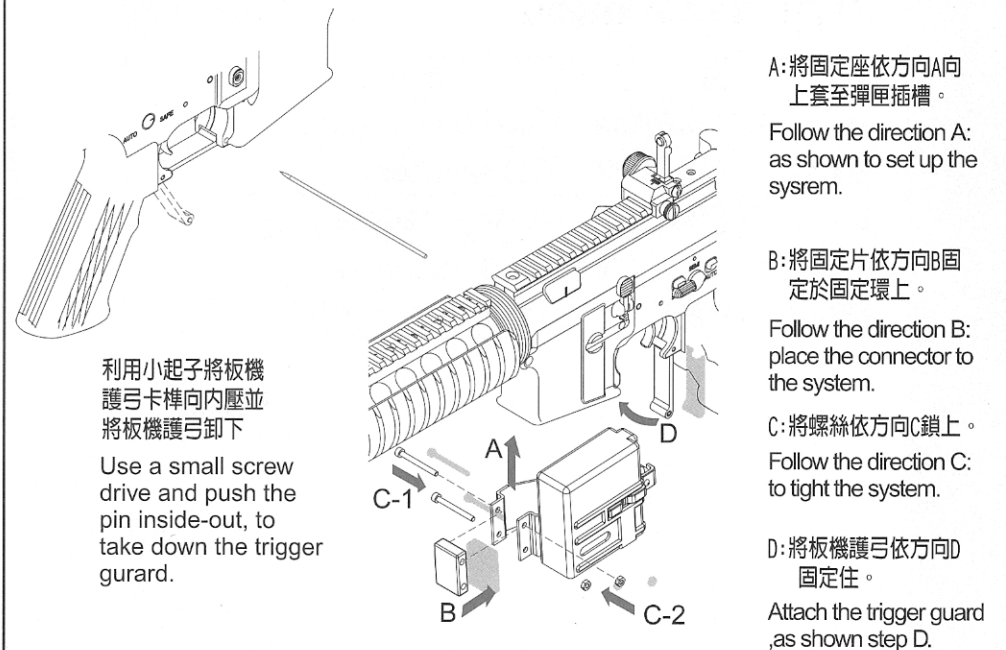
# 2 簡易式罩門拆裝及調整

## Setting and adjusting the flip up rear sight



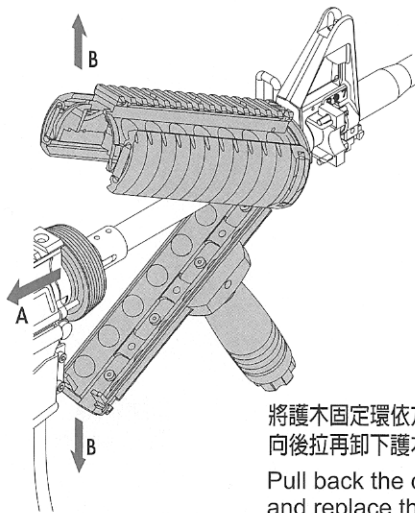
# 3 彈匣預備槽裝法

## Attaching the ready magazine system

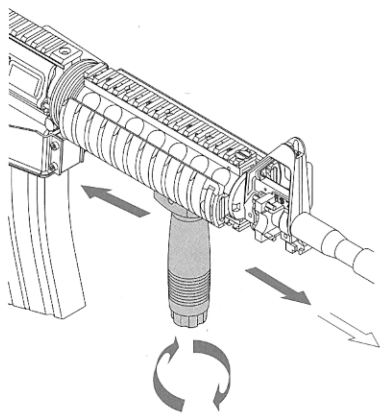


## 4 R.I.S.組裝方法

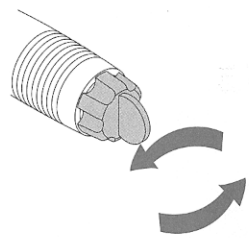
### Attach the R.I.S. system



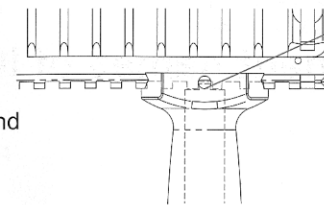
將護木固定環依方向  
向後拉再卸下護木。  
Pull back the delta ring  
and replace the R.I.S. .



依方向鬆開握把螺絲  
即可調整戰術握把  
的位置  
Lose the joint dial to adjust  
the fore grip to personal  
preference.



可使用銅板或手  
將握把螺絲鬆開  
Use a coin or hand  
to lose the knob.



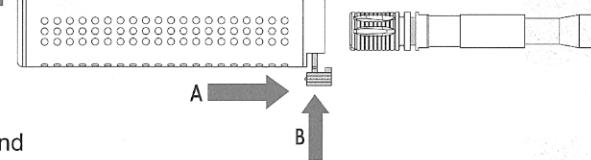
固定銷對準軌道條上的  
凹槽再將握把鎖緊  
Make sure the  
grooves on the  
fore grip are  
properly in  
position.

## 5 QD滅音管裝法

### Attach the QD silencer

依方向將滅音管固定  
於防火帽上再將固定  
卡榫對準防火帽上第  
二個凹槽，即可固定  
住。

Attach the QD  
silencer to birdage  
flash hider and  
make the locking  
pin hook to the second  
groove.

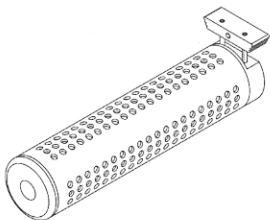


## 6 各部名稱說明

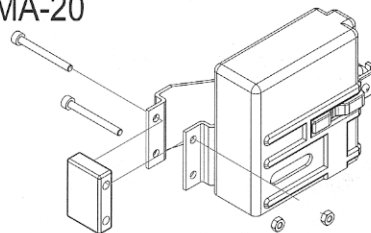
### Parts description

NO	品名	Item
MA-17	簡易式單門組	Flip up rear sight
MA-18	QD滅音管(長)	QD silencer
MA-20	彈匣預備槽	Ready magazine system
MA-58	R.I.S. 戰術護木	R.I.S. mount rail
MP-53	戰術握把	Tactical fore grip

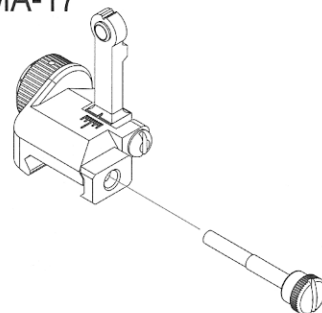
MA-18



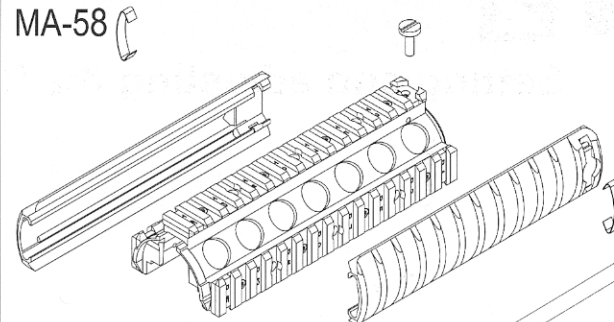
MA-20



MA-17



MA-58



MP-53

