



# GA249 MK II

**AUTOMATIC ELECTRIC GUN**

**HANDLING CAUTIONS AND INSTRUCTION MANUAL**

**HOP-UP  
SYSTEM**



**////// WARNING ////**

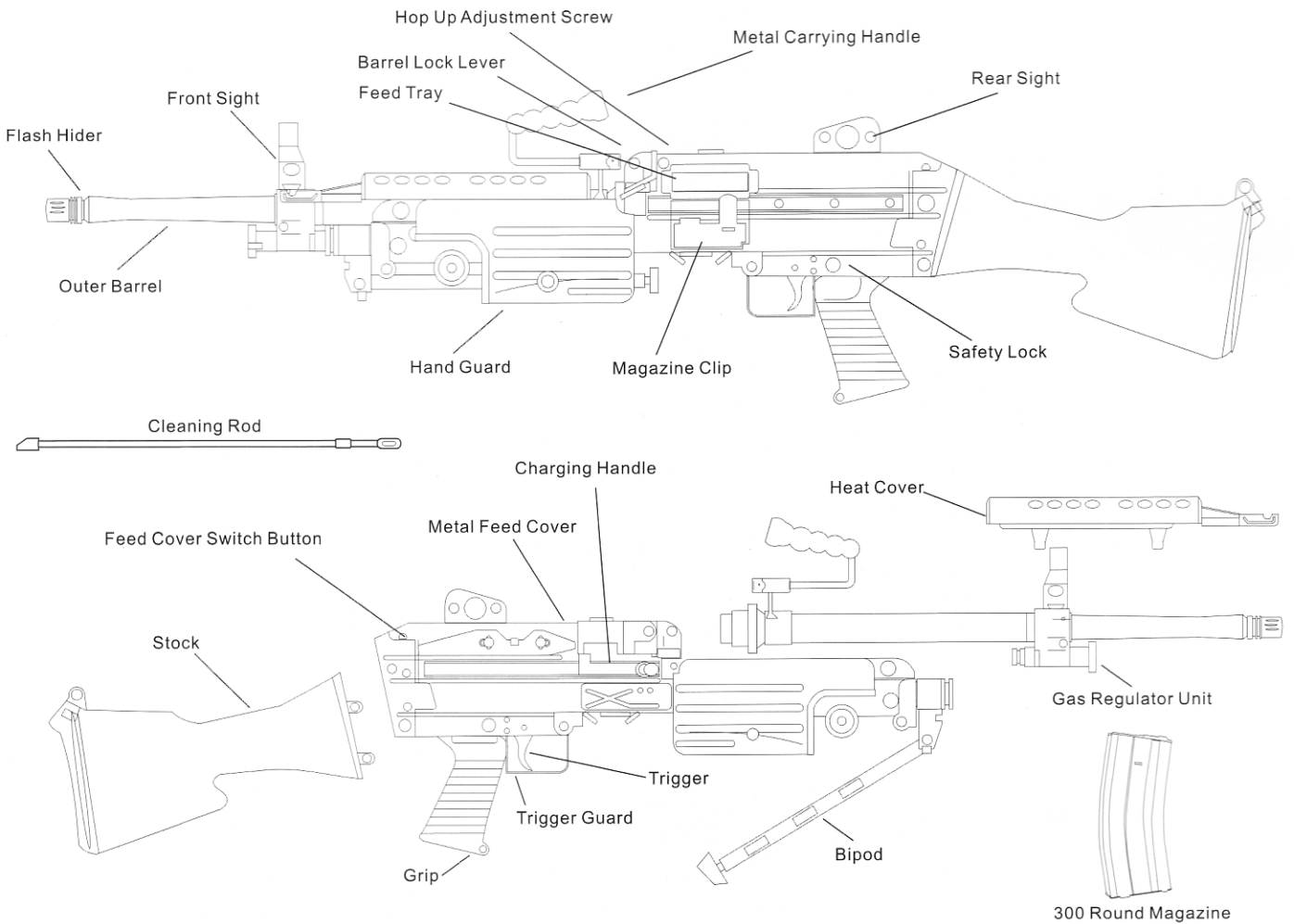
- FOR AGE 18 YEARS OR ABOVE.
- PLEASE READ THE INSTRUCTIONS CAREFULLY BEFORE USAGE. MISUSE OR CARELESS USAGE MAY CAUSE SERIOUS INJURY.
- USER SHOULD OBEY TO ALL LAWS REGARDING THE USAGE AND OWNERSHIP OF AIRSOFT ELECTRIC GUNS.
- FACIAL PROTECTION IS REQUIRED.

Produced By Classic Army, Hong Kong

## 1 Outlook / Structure of CA249 MKII


Always set the selector switch to the safe position when you are not firing or during storage

### CA249 MKII



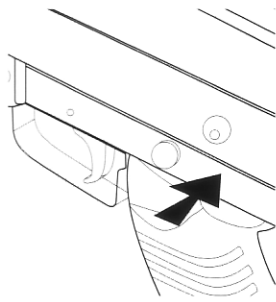
## 2 Specification

### Data of Automatic Electric Gun

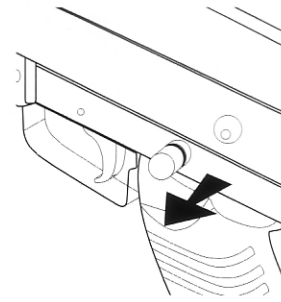
Name	CA249 MKII	
Weight	6.6 kg	
Barrel Length	510mm	
Barrel Caliber	6.08mm	
Pellet Capacity	300Rd	
Pellet	6mmBB	
Initial Pellet Speed	85 - 95 m/s	
Battery Type	Large Type 8.4v	

### 3 Operation

#### ① How to use safety lock

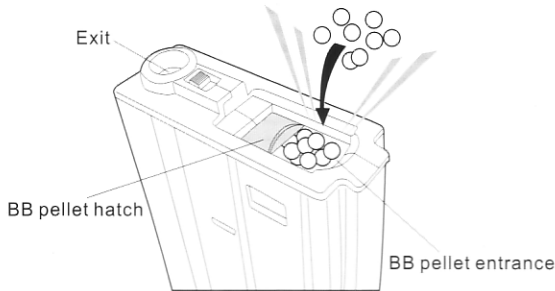


- ① Safety Lock**  
BB pellets can't be shot out. If you are not shooting, please make sure the position is on.

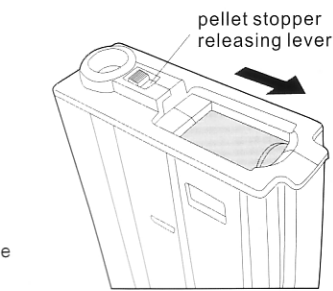


- ② Automatic Shot**  
BB pellets can be shot out. Pull the trigger, full auto mode is launched

#### ② Magazine Attachment / Detachment Procedure



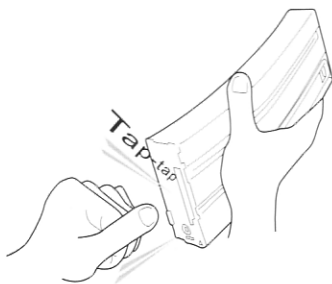
- ①** Open the top hatch and insert BB pellets. About 300 pellets may be loaded. ( Avoid forcing BB pellets into magazine. )



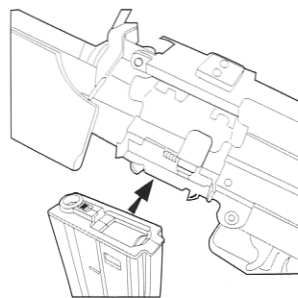
- ②** Close the hatch.



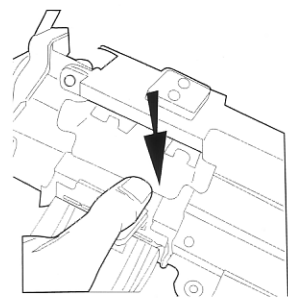
- ③** Hold the BB pellets entrance facing up and turn the gear at the bottom all the way until the click-click sounds change. (If only a small number of BB pellets are inserted, the gear merely makes blank turning.)



- ④** Check the BB pellets are lifted up to the exit, and then connect the magazine to the gun.



- ⑤** Ensure the magazine is cooked.



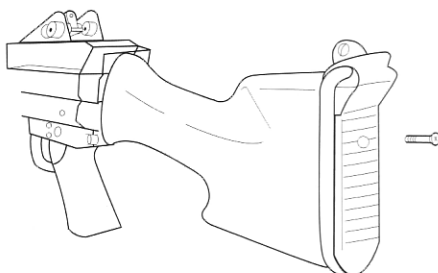
- ⑥** When removing the magazine, please use the thumb to push the button/magazine catch and pull it out slowly.



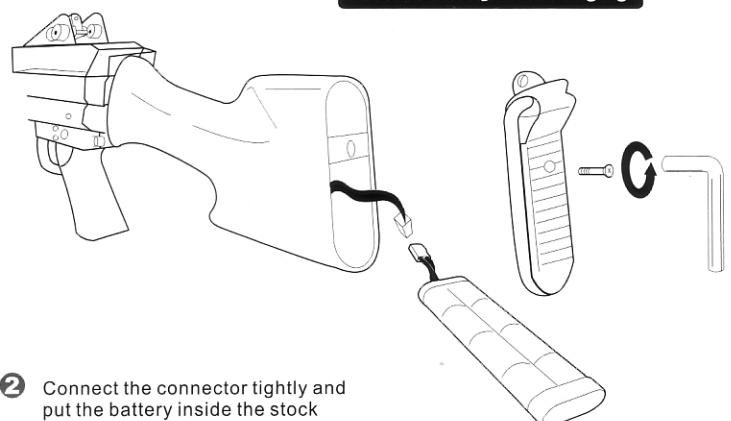
**CAUTION** There will have BB pellets remain in the magazine hip and chamber. Please pay attention as BB pellets can't be discharged.

#### ③ How to insert battery

**Set the battery after charging**

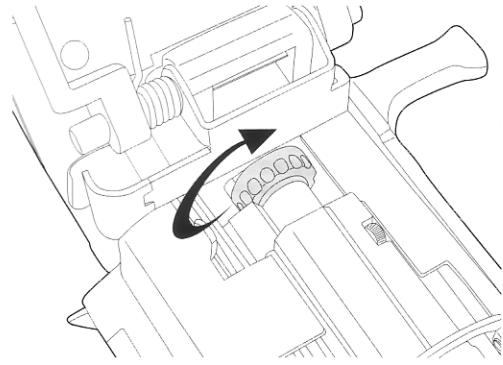
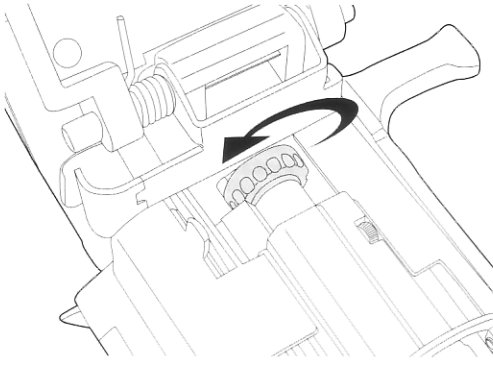


- ①** Please loose out the screw on the stock



- ②** Connect the connector tightly and put the battery inside the stock

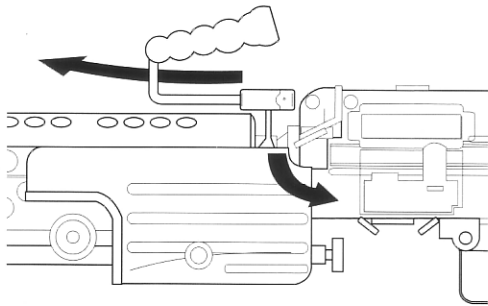
## 4 Hop up system attachment



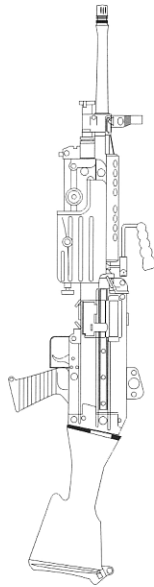
1 With hop up, BB pellets are able to extend its trajectory with revolution. Adjust with 2mm wrench.

2 When turning to the right, hop up becomes easy. When turning too much, BB pellets can't shoot out and problem occurs.

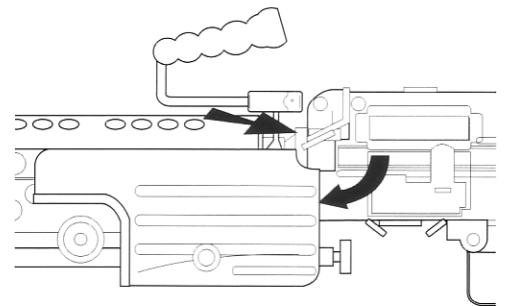
## 5 Outer barrel installation / Removal



1 You can remove the outer barrel by lowering the lever.



2 Raise up the gun straight and install the outer barrel.

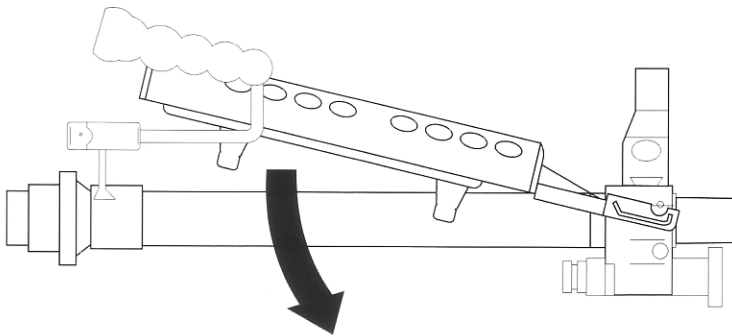


3 Click lever return to its position. (Do not have gap in between.)



When installing, please confirm the chamber of inner barrel is put correctly to the nozzle. Also, check whether there is BB pellets remain.

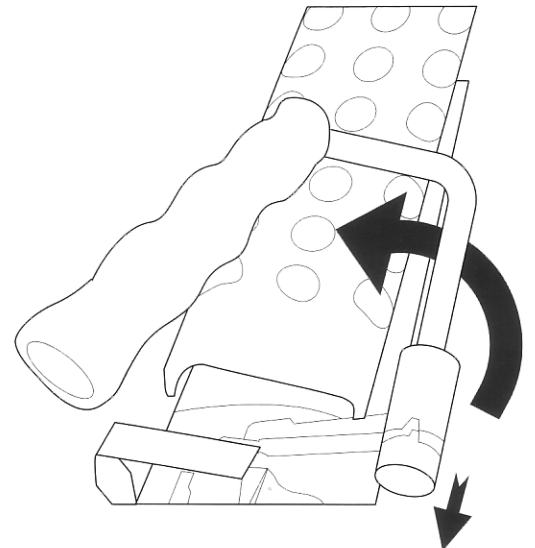
## 6 Heat Cover & Carrying Handle



1 Push in the heat cover by hooking the pin at the tip onto the outer barrel.

2 In respect to the structure, when removing the heat cover, there is damage to the outer barrel.

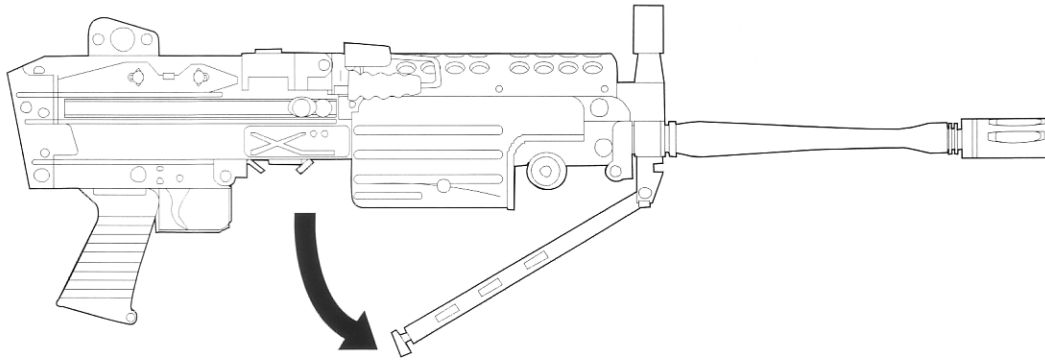
3 Pull down the back / basis.



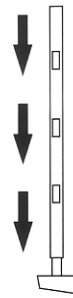
## 7 How to use Bipod



Please don't throw towards head and eye.

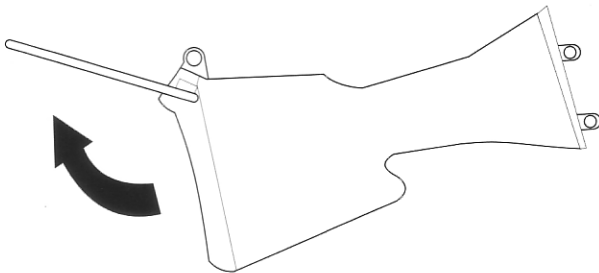


1 Please do not put the finger in the movable part.



2 Please pull while pressing the button. It can extend to 3 stages.

## 8 How to use stock



1 Raise up the plate in order to open the both side.

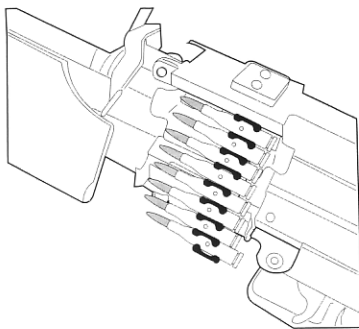
## 9 Maintenance

- 1 Replace the fuse
  - Remove the outer barrel. Connector is attached. Fuse case is inside. Please use 20A. Please don't put the wiring assembly in.
- 2 Gear Box
  - Apply grease to each gear. Make sure screw lock is loosen when disassembling. Change the gears when they tear off.
  - When BB pellets are clogged, please refer to "Trouble shooting" for removal.

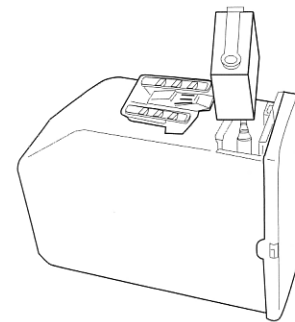


As for disassembling and assembling, sense knowledge is necessary. If one doesn't have self-confidence, please find support from the shop.

## 10 The following products can be installed in the gun



1 No. P134M CA249 Cartridge



2 No. P108M Box Magazine (2400Rd)

## 11 Trouble Shooting / Shooting Problem

- 1 The following is the main cause and solution for different situation. There are also some complicated reasons for breakdown. When facing such condition, please ask help from your dealer.
- 2 Never use any used BB Pellets.

BB can't come / shoot out.	Solution
Too strong hop up.	Please loosen the screw for hop up adjustment.
Jammed inside the barrel.	Use the cleaning rod to remove the BB pellets.
The loading device is not moving.	There is fragment of BB pellets inside the loading device. Please remove it.
Broken gear box.	Open the gear box, change parts if necessary.
Piston damaged.	Change for a new one.

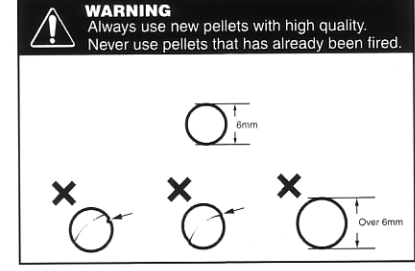
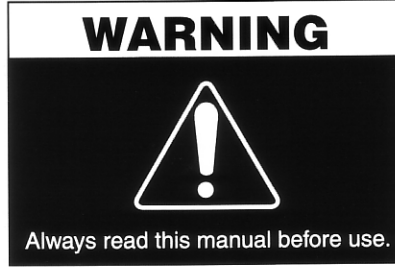
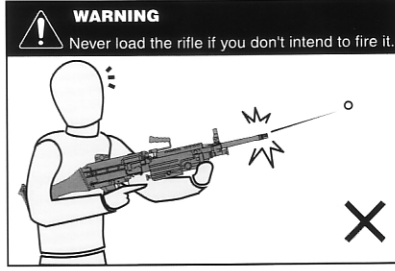


When disassembling and assembling, please pay attention to the part in order not to lose them. If by any means the cause can't be found, please find your dealer to repair. Please don't have empty shooting where BB pellets are not inserted, this will cause damage.

Motor is not working.	Solution
Fuse is cut off.	Change another fuse.
Battery is cut off.	Please re-charge the battery.
Short circuit.	Please check the wiring.
Something is trapped inside the gear box.	Open and disassemble the gear box. Investigate whether something is broken.
The trigger switch is not connecting.	Please inspect the contact of the trigger switch.

There is no power.	Solution
Too strong hop up.	Loosen the screw in the hop up.
Deform of chamber lever.	Please change the chamber lever.
There is no stripe in the chamber nozzle.	It's expected that the chamber, over and gas lait are broken.
The chamber gas lait is broken and come off.	Please change a new one.
Broken valves.	Change for a new one.

## 4 ! WARNING



In no event shall Classic Army or any of our partners be liable for any direct or indirect, special, incidental, or consequential damages in connection with the use of our products.

## 5 For complete product information, dealer locations and technical support, please visit the website of Classic Army Sole Distributors .

### Italy, San Marino Republic, Città del Vaticano, Spain (includes Andorra and Gibraltar) Portugal and Switzerland

Co. Name: VI.SE.LE Italiana s.r.l.  
 Add.: Via Walter Tobagi n.13, 20090 - Vimodrone (Milan), Italy  
 Tel: (39) 02 274 09455  
 Fax: (39) 02 274 09455  
 Email: visele@classicarmyitalia.com  
 Website: <http://www.classicarmyitalia.com/>

### Denmark, Sweden, Norway & Finland, France, Germany, Austria, United Kingdom, Poland, Baltic countries, Belgium, Luxembourg, the Czech Republic and Slovakia

Co. Name: ActionSportGames A/S  
 Add.: No.: Bakkegaardsvej 304, DK-3050 Humlebaek, Denmark  
 Tel: (45) 89 28 18 88  
 Fax: (45) 49 19 31 60  
 Email: sales@softgun.dk  
 Website: <http://www.actionsportgames.com/>

### The United States of America

Co. Name: Spartan Imports, Inc.  
 Email: [info@spartanimports.com](mailto:info@spartanimports.com)  
 Website: <http://www.spartanimports.com/>

### Taiwan

Co. Name: F-Link Int'l Enterprise Co. Ltd.  
 Add.: No. 283, Jo Through 2<sup>nd</sup> Road, Sun Min Dist, Kaohsiung, Taiwan, R.O.C.  
 Tel: (886) 7 323 0988  
 Fax: (886) 7 323 4055  
 Email: [kssa.kssa@msa.hinet.net](mailto:kssa.kssa@msa.hinet.net)  
 Website: <http://www.soloman.com.tw/>

# 6 Exploded Diagram

