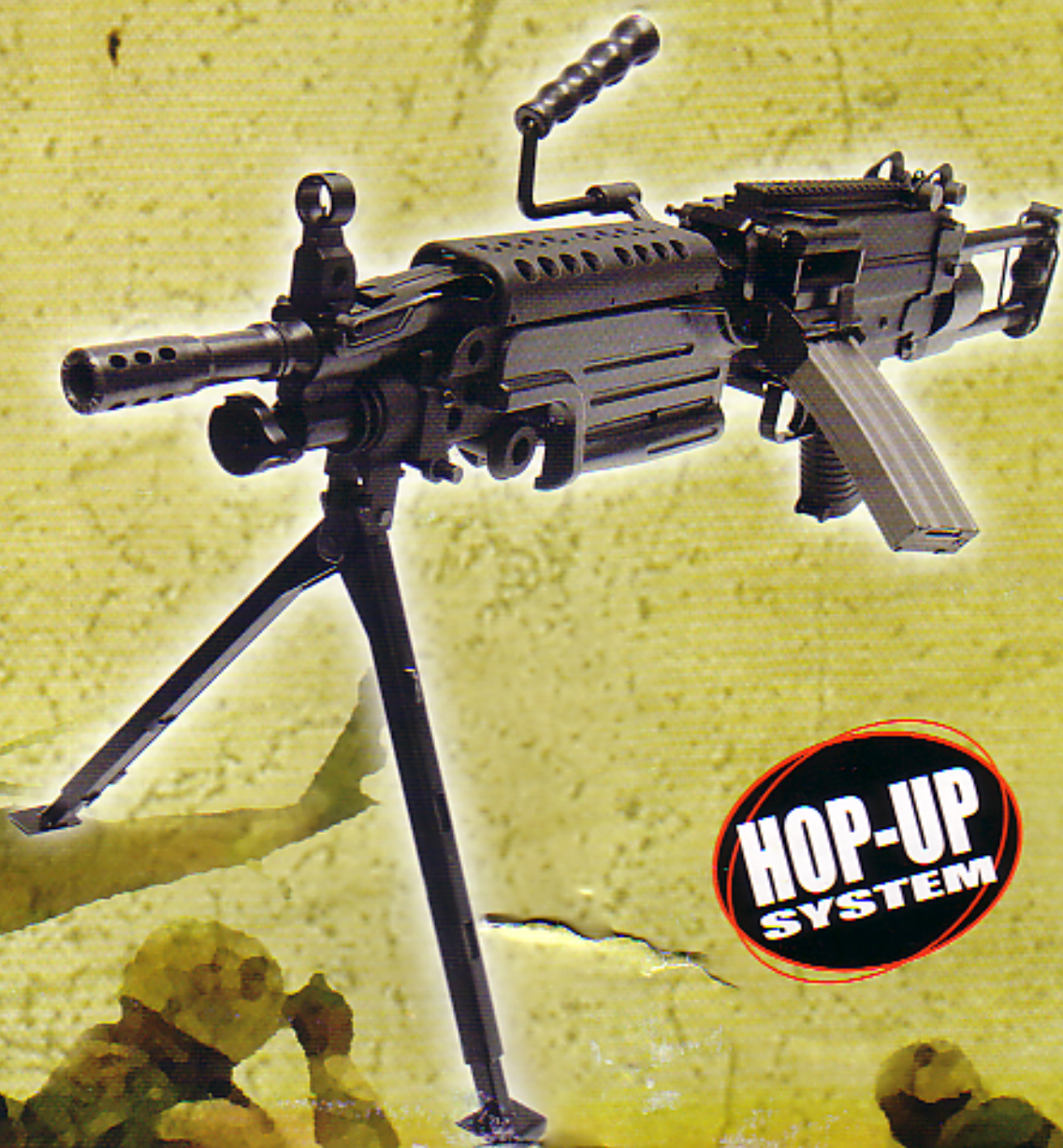




CA249P

AUTOMATIC ELECTRIC GUN

HANDLING CAUTIONS AND INSTRUCTION MANUAL



**HOP-UP
SYSTEM**

WARNING

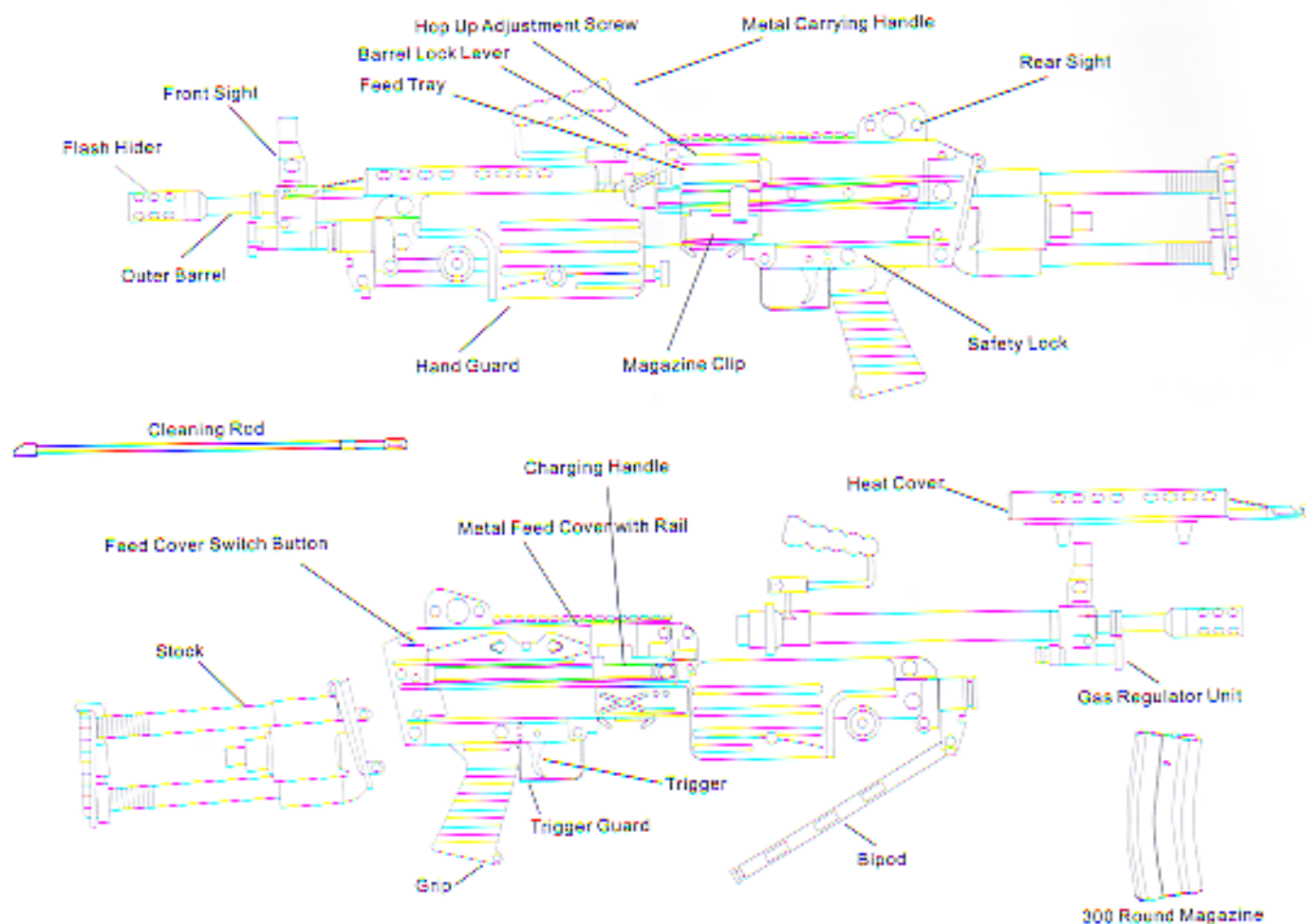
- FOR AGE 18 YEARS OR ABOVE.
- PLEASE READ THE INSTRUCTIONS CAREFULLY BEFORE USAGE. MISUSE OR CARELESS USAGE MAY CAUSE SERIOUS INJURY.
- USER SHOULD OBEY TO ALL LAWS REGARDING THE USAGE AND OWNERSHIP OF AIRSOFT ELECTRIC GUNS.
- FACIAL PROTECTION IS REQUIRED.

Produced By Classic Army, Hong Kong

1 Outlook / Structure of CA249P




Always set the selector switch to the safe position when you are not firing or during storage

CA249P



2 Specification

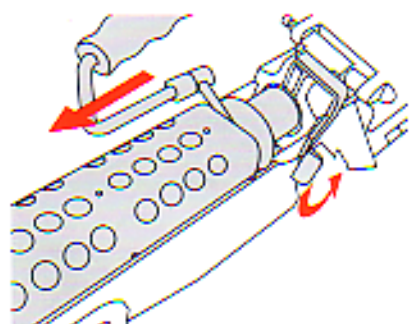
Data of Automatic Electric Gun

Name	CA249P	
Weight	6.3 kg	
Barrel Length	363mm	
Barrel Caliber	6.08mm	
Pellet Capacity	300Rd	
Pellet	6mmBB	
Initial Pellet Speed	85 - 95 m/s	
Battery Type	Mini Type 8.4v	

3 Operation

1 How to insert battery

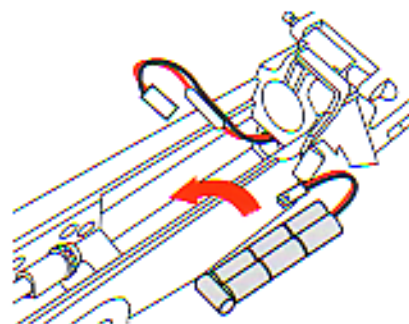
Set the battery after charging



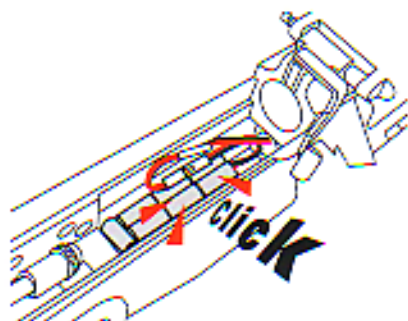
- 1 Press the switch on the barrel, move the outer barrel forward.



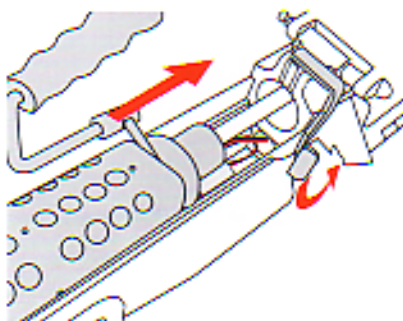
- 2 Push the inner barrel from the hop-up chamber.



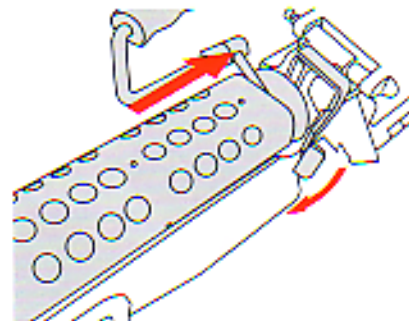
- 3 Put the connector backward and insert the battery.



- 4 Connect the connectors, then install hop-up chamber and the inner barrel.

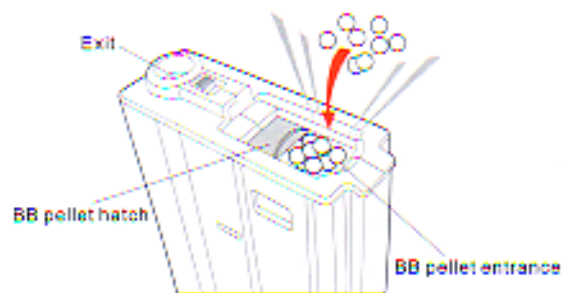


- 5 After installing the hop-up chamber and the inner barrel, then assemble the outer barrel.



- 6 Push it until fixing it.

2 Magazine Attachment / Detachment Procedure



- 1 Open the top hatch and insert BB pellets. About 300 pellets may be loaded (Avoid forcing BB pellets into magazine)



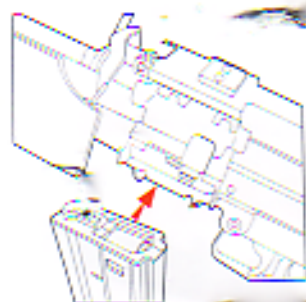
- 2 Close the hatch.



- 3 Hold the BB pellets entrance facing up and turn the gear at the bottom all the way until the click-click sounds change. (If only a small number of BB pellets are inserted, the gear merely makes blank turning.)



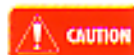
- 4 Check the BB pellets are lifted up to the exit, and then connect the magazine to the gun.



- 5 Ensure the magazine is cocked

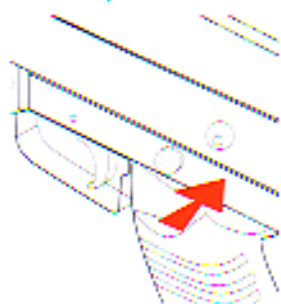


- 6 When removing the magazine, please use the thumb to push the button/magazine catch and pull it out slowly.

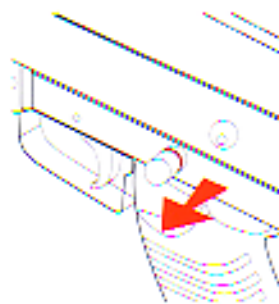


There will have BB pellets remain in the magazine hip and chamber. Please pay attention as BB pellets can't be discharged.

3 How to use safety lock



- 1 Safety Lock**
BB pellets can't be shot out. If you are not shooting, please make sure the position is on.

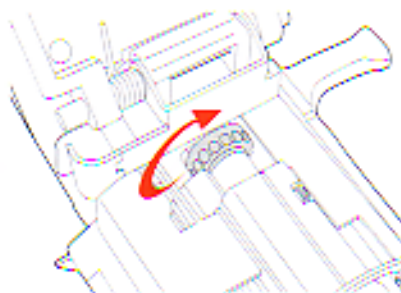


- 2 Automatic Shot**
BB pellets can be shot out. Pull the trigger, full auto mode is launched.

4 Hop up system attachment



- 1** With hop up, BB pellets are able to extend its trajectory with revolution. Adjust with 2mm wrench.

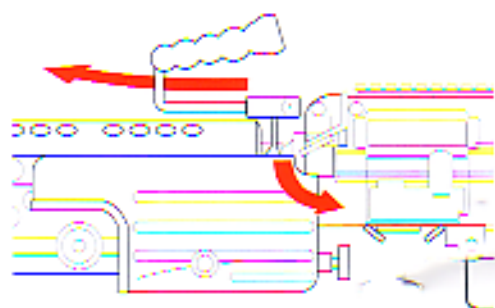


- 2** When turning to the right, hop up becomes easy. When turning too much, BB pellets can't shoot out and problem occurs.

5 Outer barrel installation / Removal



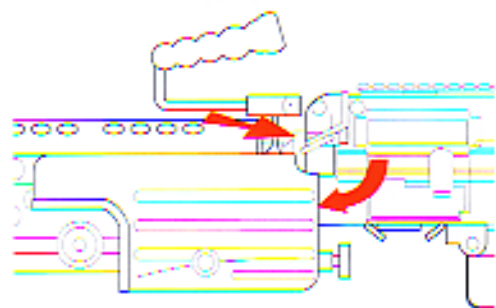
When installing, please confirm the chamber of inner barrel is put correctly to the nozzle. Also, check whether there is BB pellets remain.



- 1** You can remove the outer barrel by lowering the lever.

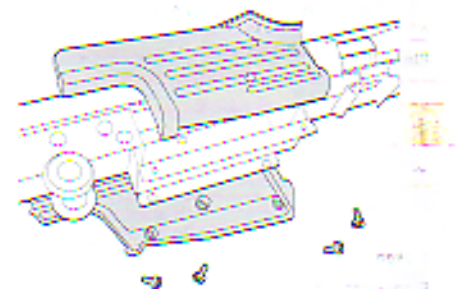


- 2** Raise the gun vertically and install the outer barrel.

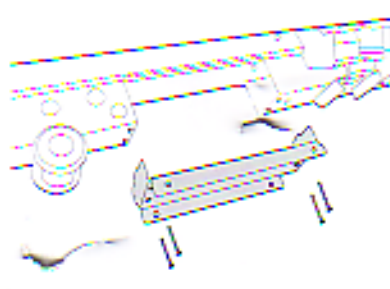


- 3** Click lever return to its position. (Do not have gap in between.)

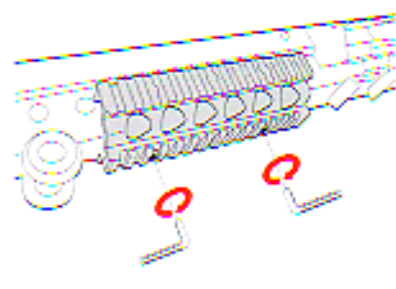
6 How to install Rail System (R.I.S.)



- 1** Loosen the screws on hand guard with screwdriver.



- 2** Loosen the screws on hand guard stand



- 3** Then, install the R.I.S. (No.A140M optional)

7 Heat Cover & Carrying Handle


1 Push in the heat cover by hooking the pin at the tip onto the outer barrel.

2 In respect to the structure, when removing the heat cover, there is damage to the outer barrel.

3 Pull down the back / base.


8 How to use Bipod


1 Please do not put the finger in the movable part.

2 Please pull while pressing the button. It can extend to 3 stages.



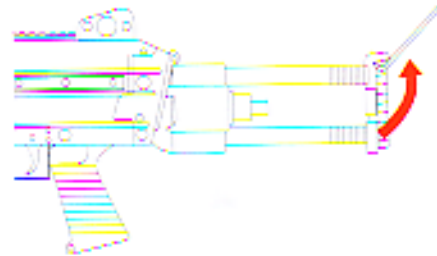
Please don't throw towards head and eye.

9 How to use the stock


1 Pull out the metal folding stock.



2 After pulling it out, turn it clockwise until turning it vertically.



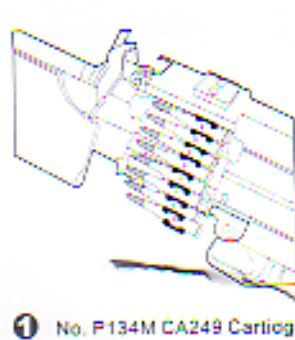
3 Pull the stock ring upward to fix the position.

10 Maintenance

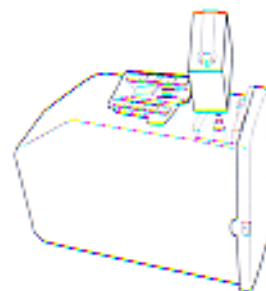
- Replace the fuse
-Remove the outer barrel. Connector is attached. Fuse case is inside. Please use 20A. Please don't put the wiring assembly in.
- Gear Box
-Apply grease to each gear. Make sure screw lock is loosen when disassembling. Change the gears when they tear off.
-When BB pellets are dogged, please refer to "Trouble shooting" for removal.



As for disassembling and assembling, sense knowledge is necessary. If one doesn't have self-confidence, please find support from the shop.

11 The following products can be installed in the gun


1 No. P134M CA249 Cartridge



2 No. P108M Box Magazine (2400Rd)

12 Trouble Shooting / Shooting Problem

1 The following is the main cause and solution for different situation. There are also some complicated reasons for breakdown. When facing such condition, please ask help from your dealer.

2 Never use any used BB Pellets.

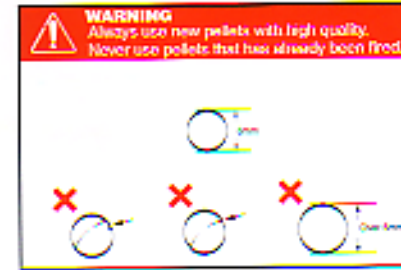
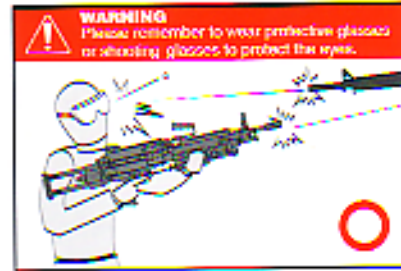
BB can't come / shoot out.	Solution
Too strong hop up.	Please loosen the screw for hop up adjustment.
Jammed inside the barrel.	Use the cleaning rod to remove the BB pellets.
The loading device is not moving.	There is fragment of BB pellets inside the loading device. Please remove it.
Broken gear box.	Open the gear box, change parts if necessary.
Piston damaged.	Change for a new one.



When disassembling and assembling, please pay attention to the part in order not to lose them. If by any means the cause can't be found, please find your dealer to repair. Please don't have empty shooting where BB pellets are not inserted, this will cause damage.

Motor is not working.	Solution
Fuse is out off.	Change another fuse.
Battery is low.	Please re-charge the battery.
Short circuit.	Please check the wiring.
Something is trapped inside the gear box.	Open and disassemble the gear box, investigate whether something is broken.
The trigger switch is not connecting.	Please inspect the contact of the trigger switch.

There is no power.	Solution
Too strong hop up.	Loosen the screw in the hop up.
Deform of chamber lever.	Please change the chamber lever.
The piston is stuck in the chamber nozzle.	It's expected that the chamber, over and gas ball are broken.
The chamber gas ball is broken and come off.	Please change a new one.
Broken valves.	Change for a new one.

4 ! WARNING


In no event shall Classic Army or any of our partners be liable for any direct or indirect, special, incidental, or consequential damages in connection with the use of our products.

5 For complete product information, dealer locations and technical support, please visit the website of Classic Army Sole Distributors.
Italy, San Marino Republic, Città del Vaticano, Spain (includes Andorra and Gibraltar) Portugal and Switzerland

Co. Name: VI SE LE Italiana s.r.l.
 Add.: Via Walter Tobagi n.13, 20090 - Vimadone (Milan), Italy
 Tel: (39) 02 274 09455
 Fax: (39) 02 274 09455
 Email: visele@classicarmyitalia.com
 Website: <http://www.classicarmyitalia.com/>

Denmark, Sweden, Norway & Finland, France, Germany, Austria, United Kingdom, Poland, Baltic countries, Belgium, Luxembourg, the Czech Republic and Slovakia

Co. Name: ActionSportGames A/S
 Add.: No.: Bakkegaardsvvej 304, DK-5050 Humlebaek, Denmark
 Tel: (45) 89 28 18 88
 Fax: (45) 49 19 31 60
 Email: sales@softgun.dk
 Website: <http://www.actionportgames.com/>

The United States of America

Co. Name: Spartan Imports, Inc.
 Email: info@spartanimports.com
 Website: <http://www.spartanimports.com/>

Taiwan

Co. Name: F-Link Int'l Enterprise Co. Ltd.
 Add.: No. 253, Jo Through 2nd Road, Sun Min Dist, Kaohsiung, Taiwan, R.O.C.
 Tel: (886) 7 323 0988
 Fax: (886) 7 323 4055
 Email: kssa.kssa@msa.hinet.net
 Website: <http://www.soloman.com.tw/>

6 Exploded Diagram
