

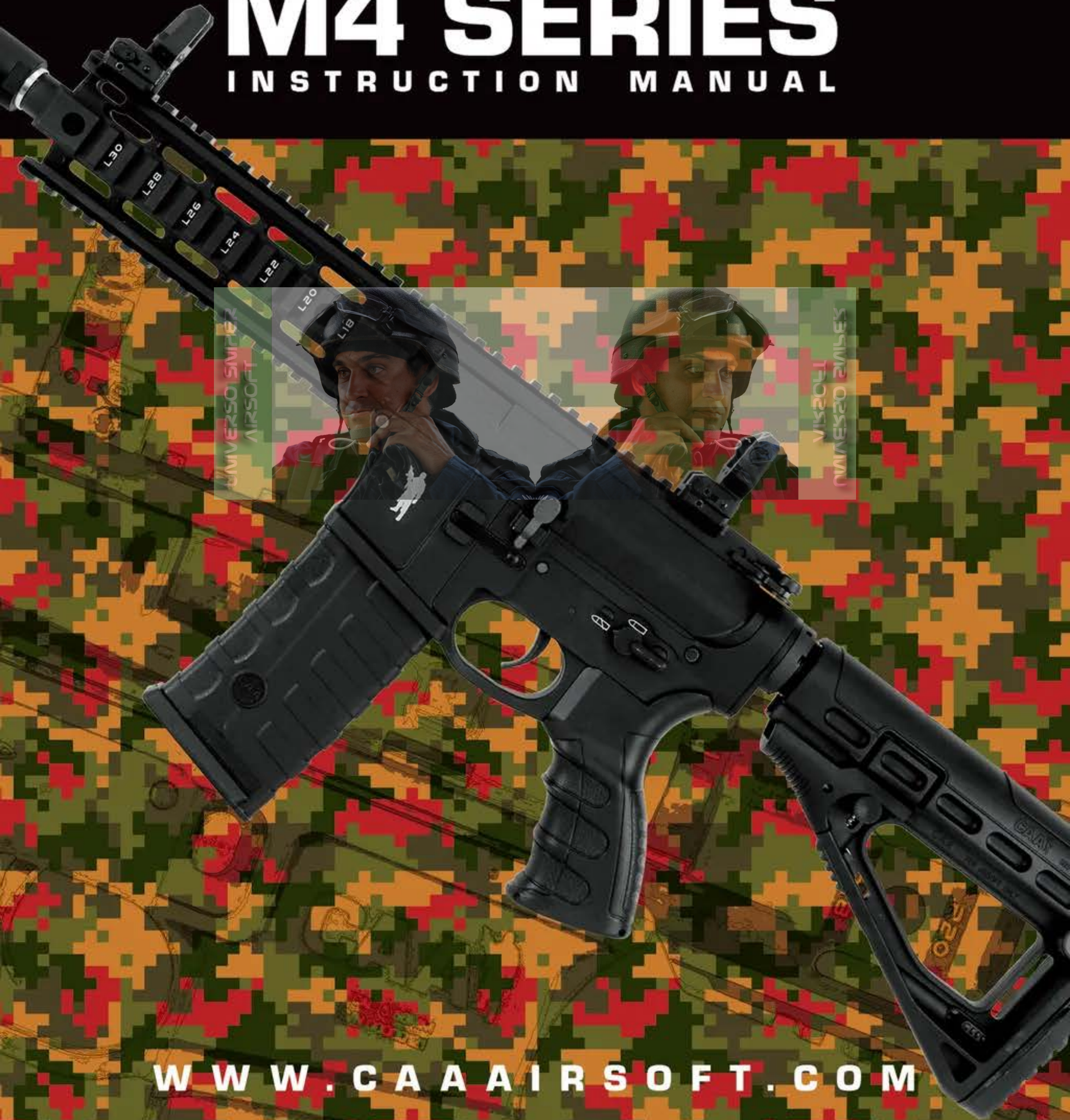
# CAA

# AIRSOFT DIVISION



# M4 SERIES

INSTRUCTION MANUAL



WWW.CAAAIRSOFT.COM





The CAA M4 series is a line of full metal constructed AEG in different styles and specs, build and present by CAA Airsoft Division.

**CAUTION:**

Read this instruction manual before using this Airsoft product.  
The user of this product must be over 18 years of age.  
CAA is not responsible for any damage caused due to using this Airsoft product.



Always wear eyes protective gear.



NEVER look into the gun muzzle.



NEVER point the gun or to shoot towards



Store the Airsoft gun at places out of reach by children.



Always put the gun in a case or bag when you are carrying it.



Always put your finger away from the trigger except when you are ready to fire the gun.



Set selector lever at the "SAFE" position and remove the magazine when the rifle is not in use.



Even if the magazine is removed, there might be remaining BB bullet in the gun which still can be shooting.



Use only the designated battery charger to charge battery.

Do NOT use a battery which is swell-up or damaged.

Do NOT expose battery to water or fire.

Do NOT drop, throw or bend the battery.

Do NOT expose the battery to extreme high or low temperatures.



# COMPONENTS NAME

Airsoft Only

The CAA M4 series is a line of full metal constructed AEG in different styles and specs. Both the 14.5" Carbine and 10.5" CQB are equipped with the light weight nylon fiber M4S1 Picatinny Rail System. The official CAA trademarks and unique serial number were laser engraved on the metal receiver. The ergonomic nylon fiber pistol grip can provide great comfort and better holding gesture. The nylon fiber collapsible buttstock can be set to 6 different positions. There is a storage compartment in the stock for 4 X CR123 batteries. The adjustable cheek-rest installed on the stock's side rail can be removed to replace with other accessories, such as magazine pouch or shell holder.



- 1. Upper receiver
- 2. Lower receiver
- 3. Charging handle
- 4. Selector lever
- 5. Trigger
- 6. Bolt release
- 7. Dust cover

- 8. Front pivot pin
- 9. Takedown pin
- 10. Magazine catch
- 11. Magazine
- 12. Pistol grip
- 13. Front sight
- 14. Flip-up rear sight

- 15. Railed fore-arm
- 16. Delta ring
- 17. Outer barrel
- 18. Flash hider
- 19. Retractable buttstock
- 20. Stock release lever
- 21. Cheek-rest

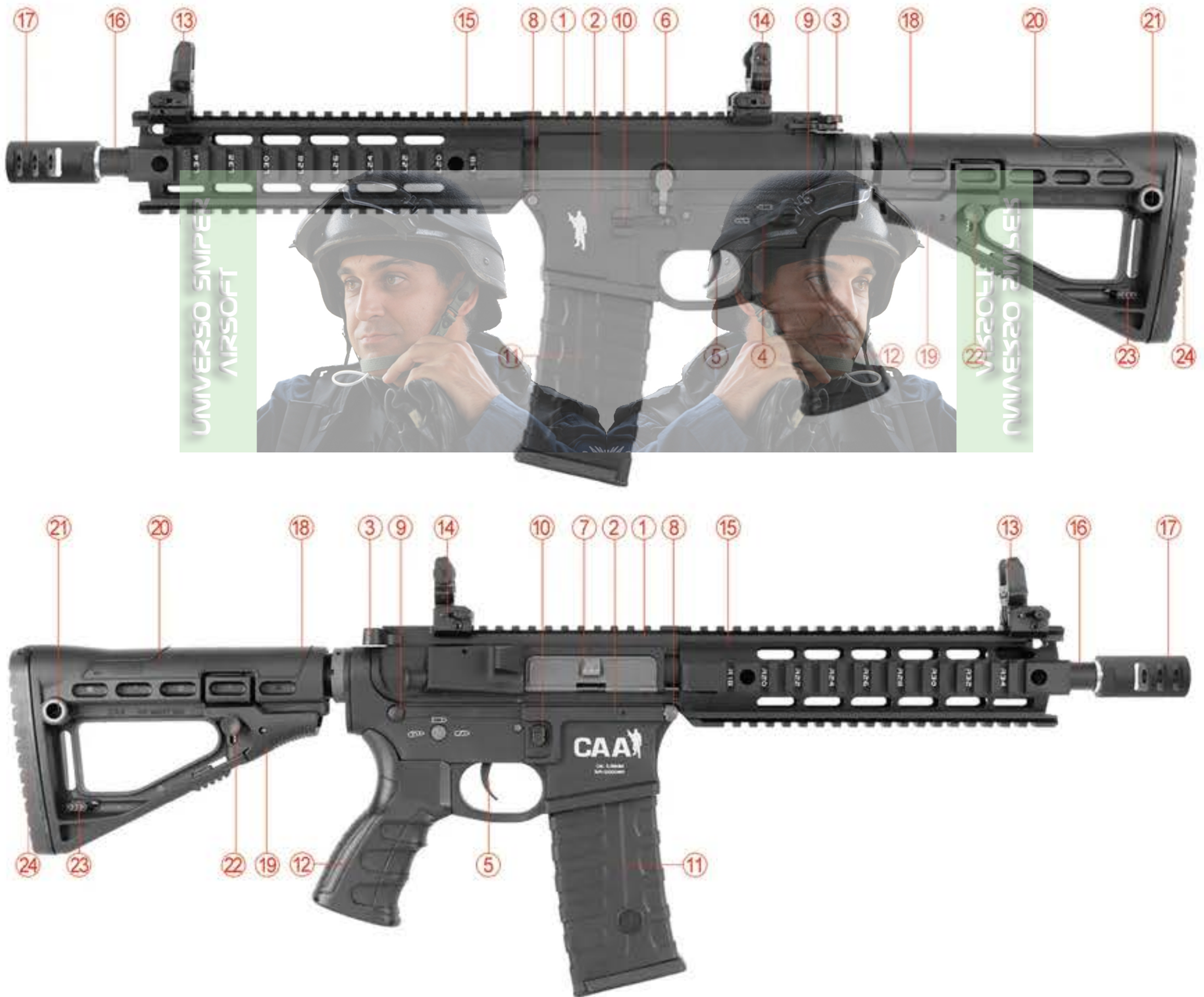
- 22. Cheek-rest lock button
- 23. Storage compartment
- 24. Sling swivel
- 25. QD sling swivel slot



# COMPONENTS NAME

Airsoft Only

The CAA M4 series is a line of full metal constructed AEG in different styles and specs. The 7" CQB, 10.5" Carbine and 14.5" Rifle are equipped with CNC Machined Aluminum M4RAS-S Rail System. The official CAA trademarks and unique serial number were laser engraved on the metal receiver. The ergonomic designed nylon fiber pistol grip can provide great comfort and better holding gesture. The nylon fiber Skeleton Style Collapsible buttstock (SBS) can be set to 6 different positions. The rubber non-slip buttpad with tapered angle, allows faster shouldering and increase comfort with body armor. A QD sling swivel can be attached on 6 different positions on the stock and handguard. Mosfet assembly provides better trigger contact. The quick spring change system Ver.2 gearbox helps to replace the spring and adjust the shooting power easily. The integrated bolt catch system makes the hop up adjust easily accessible. It comes with 8mm bearing gearbox. Steel Ball Bearing QD Spring Guide. Steel Flash Hider with military grade surface finishing. Package comes with a Low Profile Flip-Up Rear and Front Sight and a CAA 360 rounds Nylon Fiber Magazine.



- 1. Upper receiver
- 2. Lower receiver
- 3. Charging handle
- 4. Selector lever
- 5. Trigger
- 6. Bolt release

- 7. Dust cover
- 8. Front pivot pin
- 10. Magazine catch
- 11. Magazine
- 12. Pistol grip

- 13. Front sight
- 14. Flip-up rear sight
- 15. Railed fore-arm
- 16. Outer barrel
- 17. Flash hider
- 18. Retractable buttstock

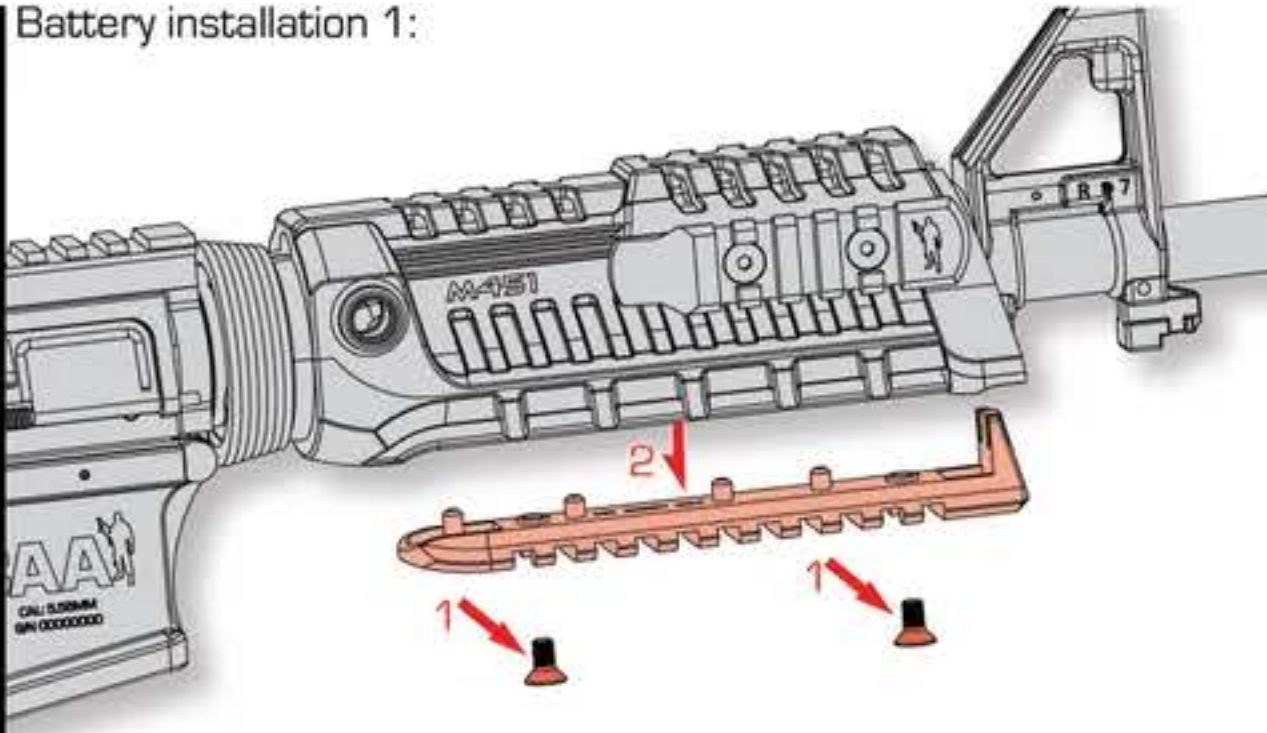
- 19. Stock release lever
- 20. Cheek-rest
- 21. QD sling swivel slot
- 22. Stock release lock
- 23. Buttpad release
- 24. Buttpad



# PREPARATION

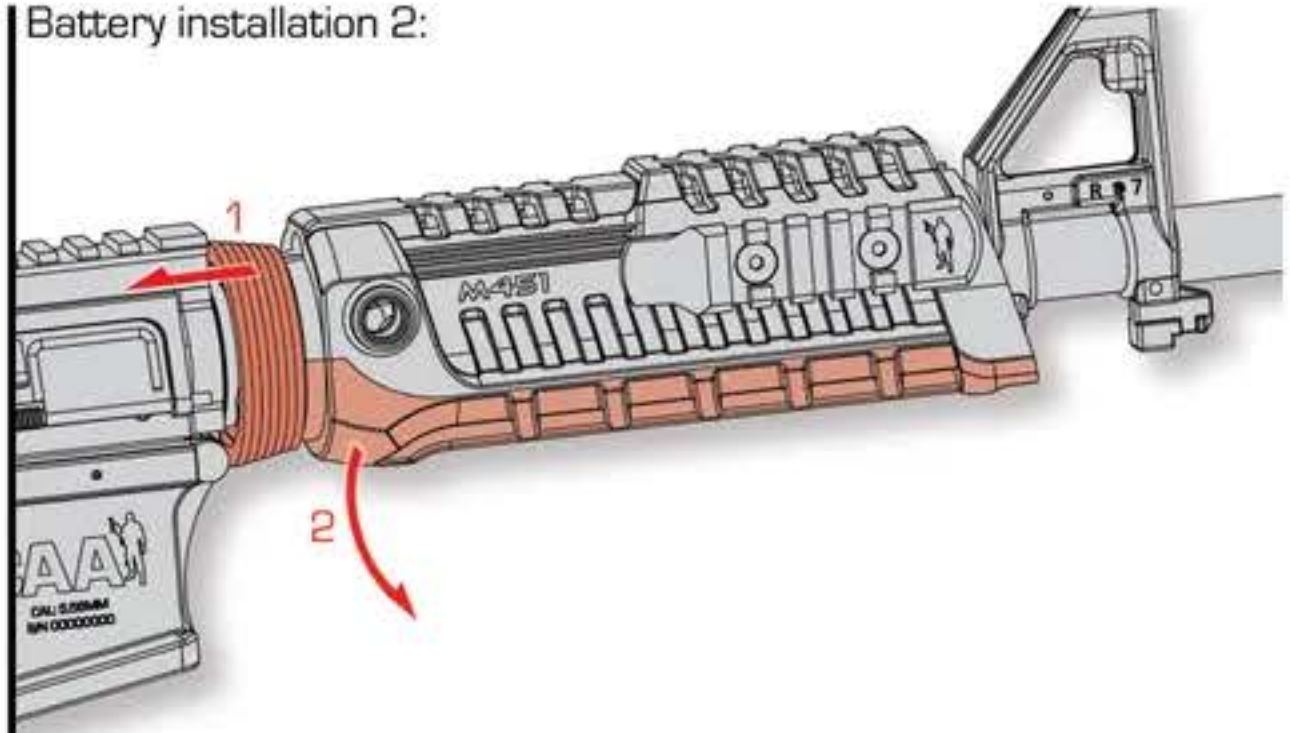
Airsoft Only

Battery installation 1:



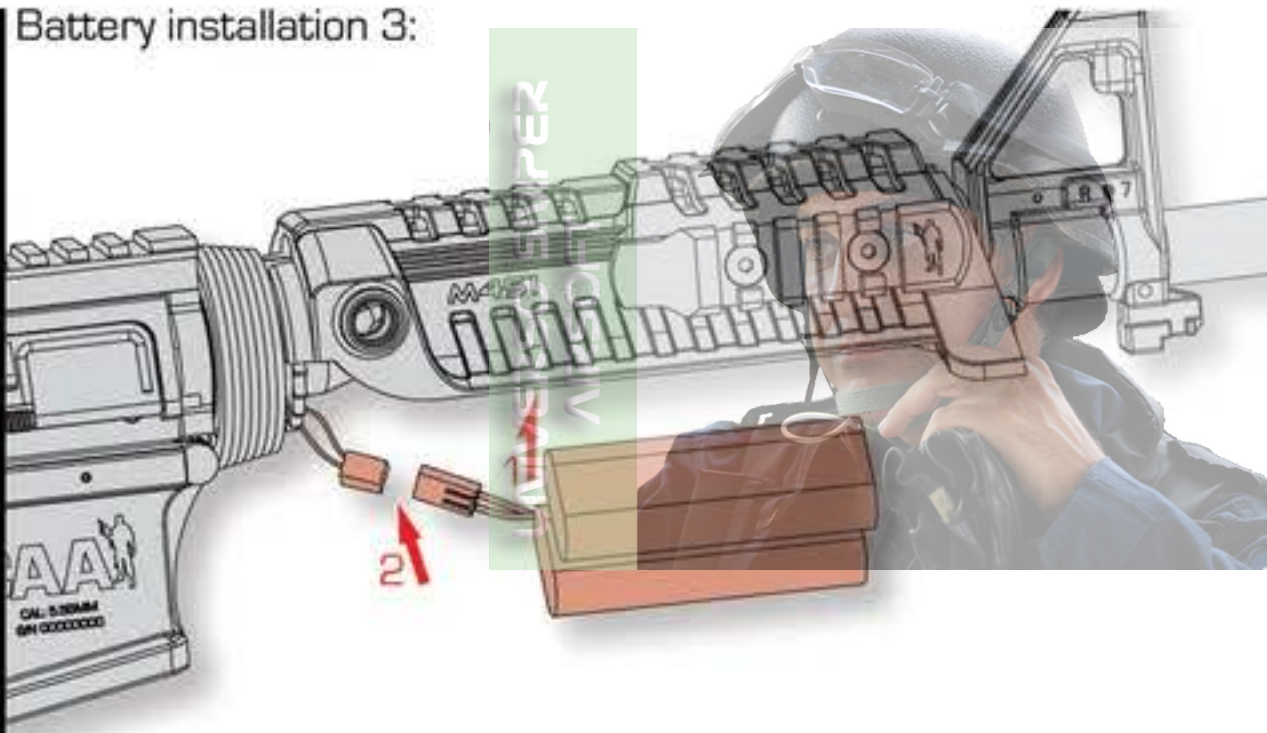
Remove the magazine from the rifle. Loosen the screws indicated and take the bot-rail off as shown.

Battery installation 2:



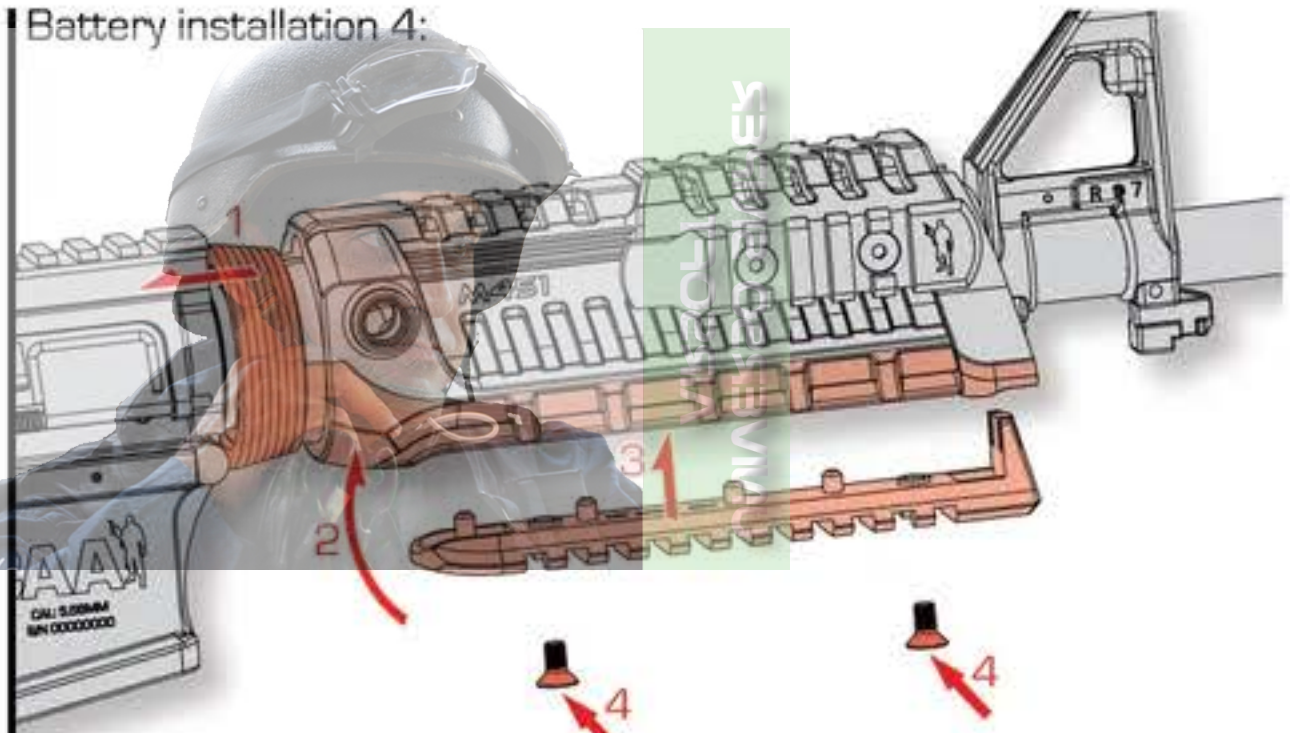
Pull the delta ring backward to release the lower fore-arm.

Battery installation 3:



Insert the battery into the fore-arm and connect the plugs.

Battery installation 4:



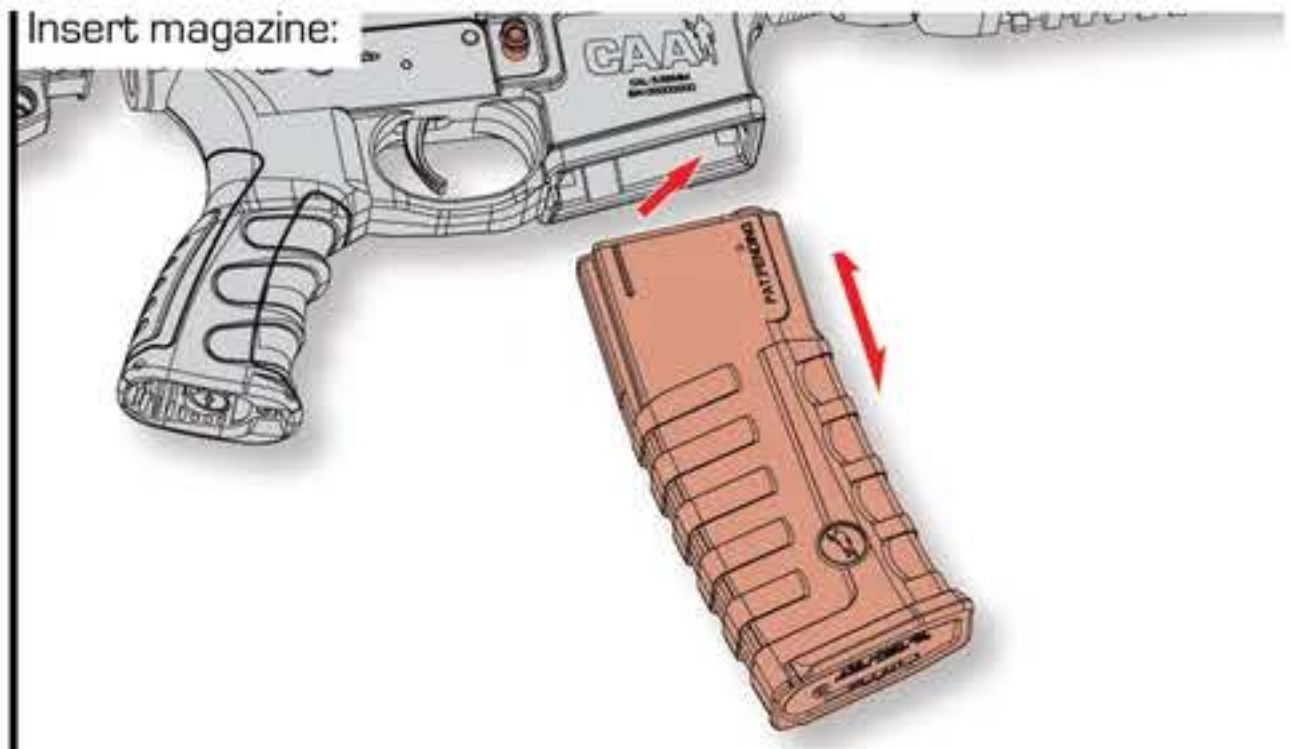
Pull the delta ring backward again to reinstall the lower fore-arm. Then put the bot-rail back and tighten the screws again.

Loading magazine:



Open the loading door on the top of the magazine. Put max. 360 round BBs into the magazine and then close the door. Rotate the winder to load up BBs.

Insert magazine:



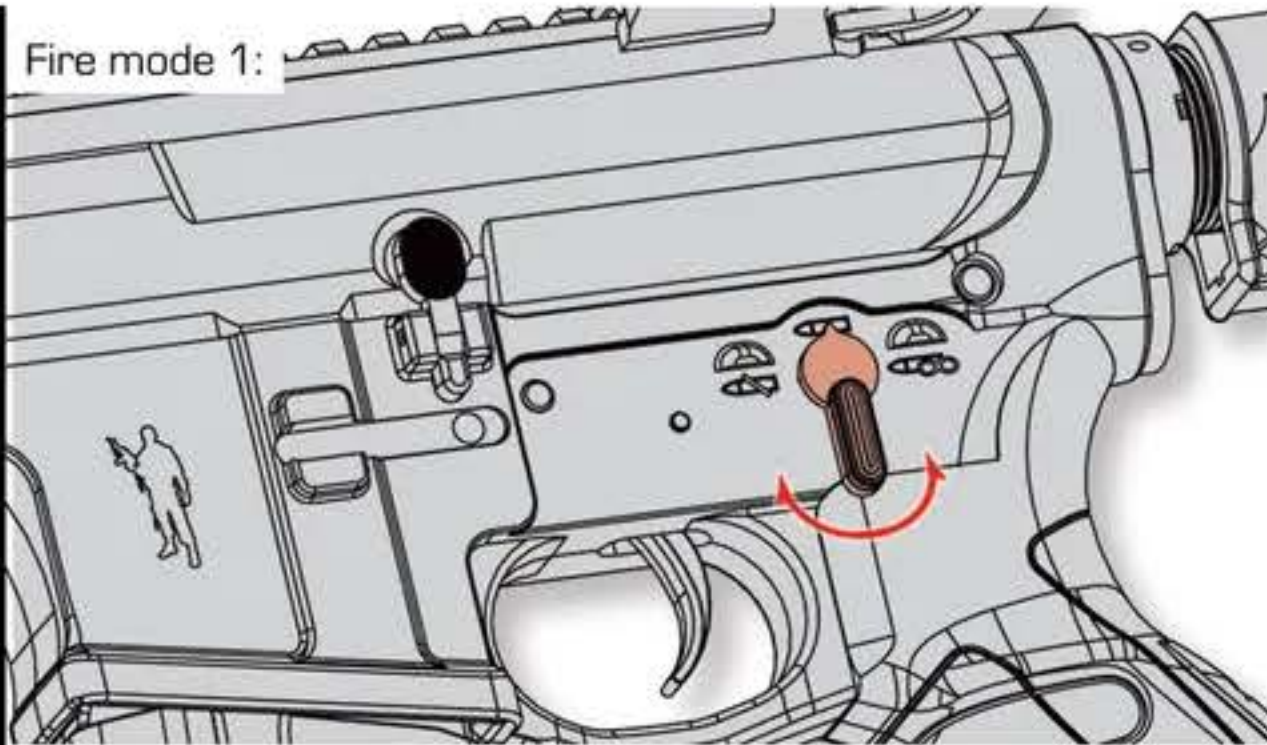
Insert the magazine into the rifle and make sure it is secured. In order to release the magazine, press the magazine catch button and pull it out from the rifle.



# FIRING RELATED

Airsoft Only

Fire mode 1:



Rotate the selector lever to set the fire mode.

Fire mode 2:



Single firing:

The rifle will fire one shot each time when the trigger is pulled.



Safe mode:

Trigger cannot be pulled.



Full-auto:

The rifle will fire automatically when the trigger is pulled.

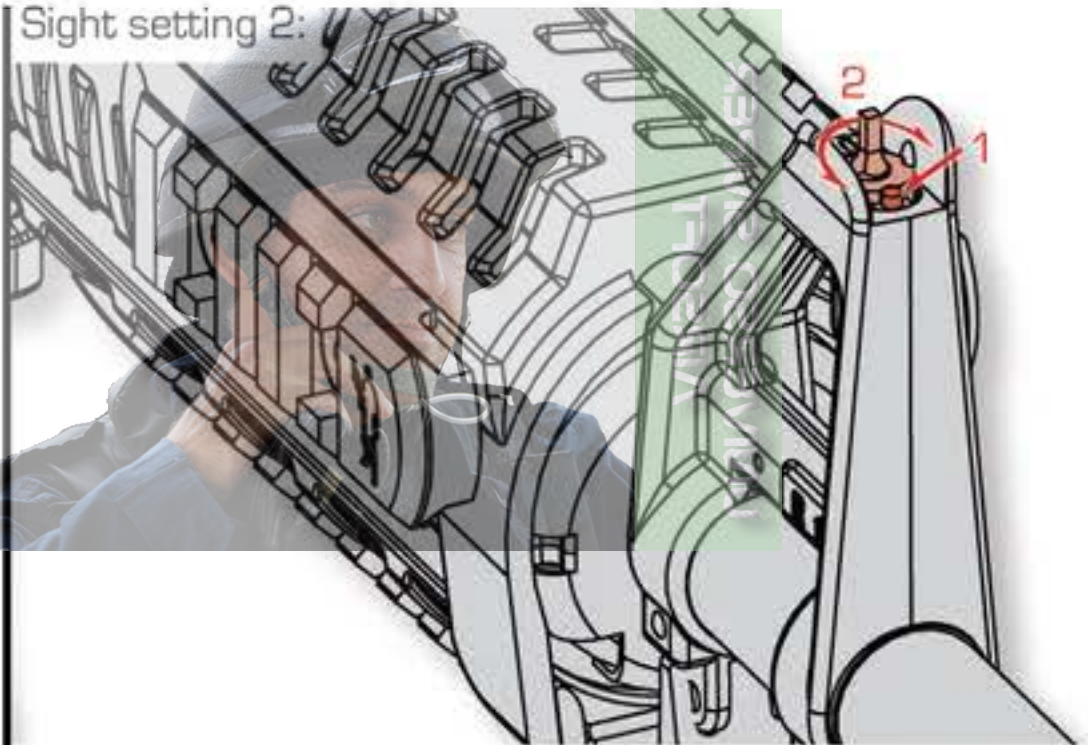
Set the selector lever to SINGLE or FULL-AUTO and pull the trigger to fire the rifle.

Sight setting 1:



Push either one of the side button indicated to raise or lay down the sight. Once the sight is lay down then it will be locked automatically as flat position.

Sight setting 2:



To adjust the front sight, press the lock pin down and then rotate the front sight post.

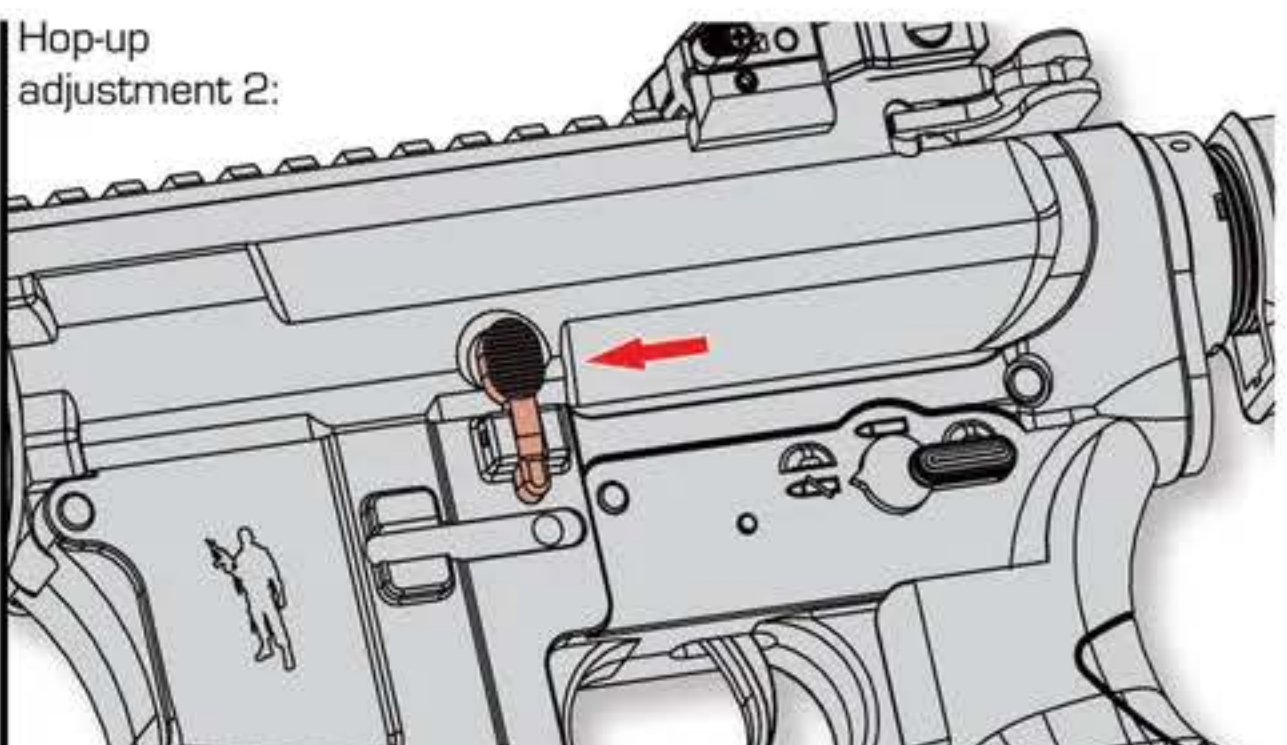
Hop-up adjustment 1:

Turn the dial clockwise to increase hop-up.  
Turn the dial anti-clockwise to decrease hop-up.



Pull the charging handle backward and the hop-up adjustment switch will be seen. Turn the dial to adjust the hop-up.

Hop-up adjustment 2:



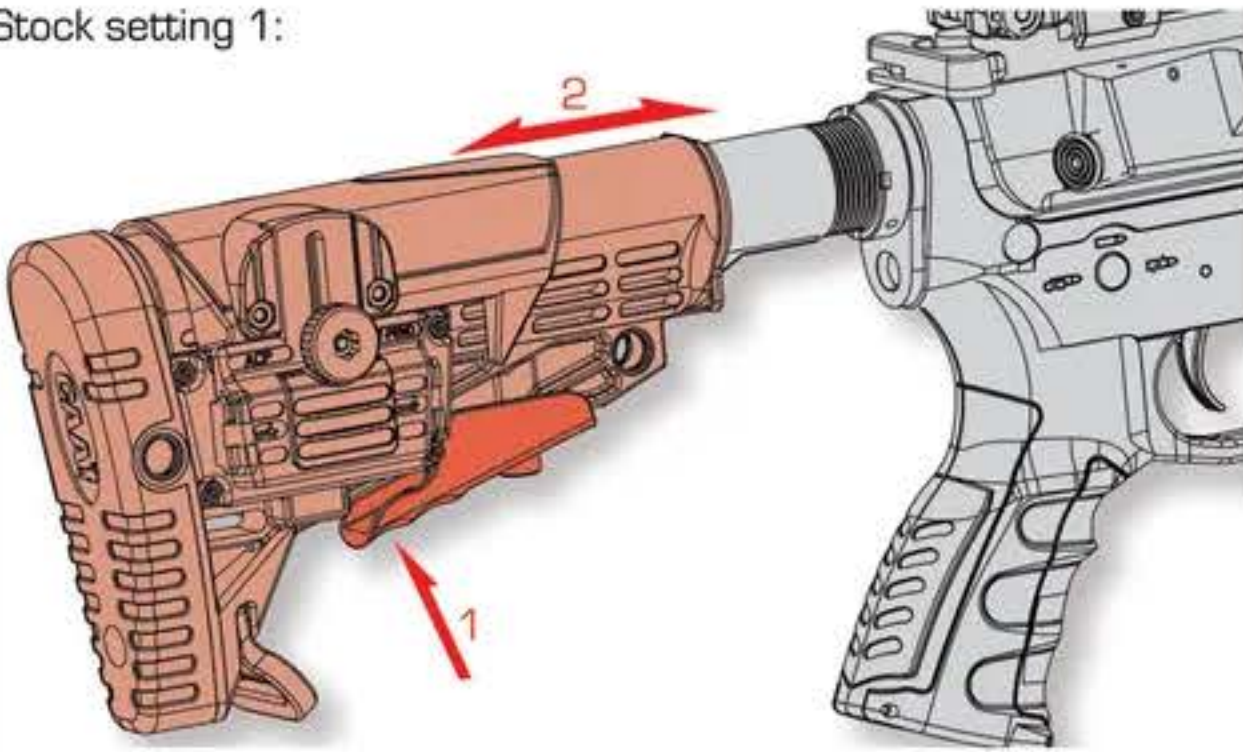
When finished hop-up adjustment, press the bolt release button to release the ornament plate.



# STOCK SETTING

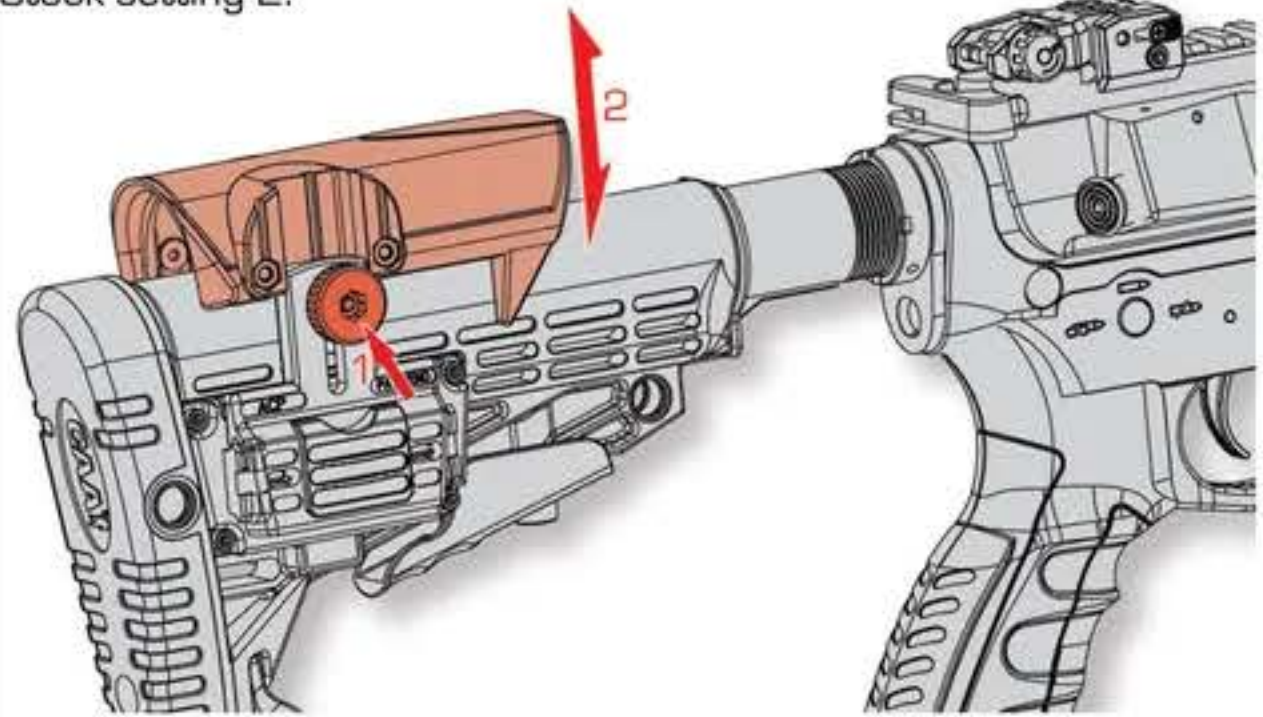
Airsoft Only

Stock setting 1:



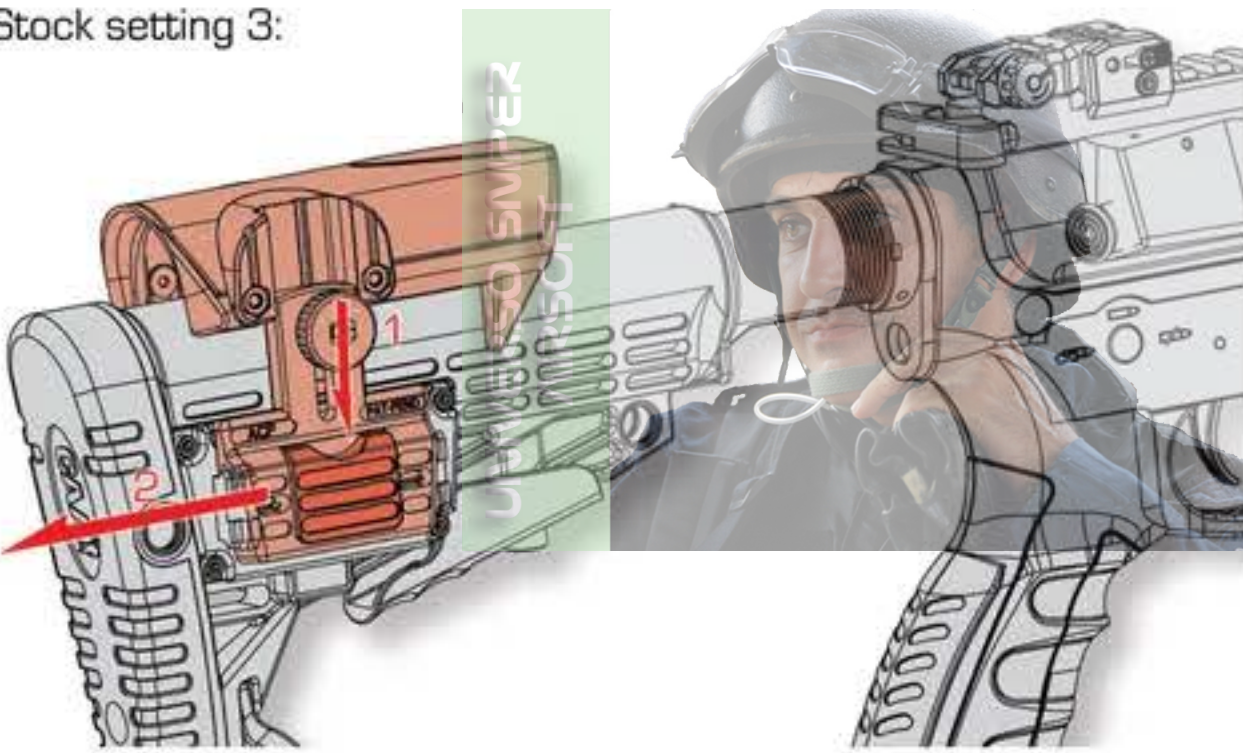
Press the button indicated to extend or retract the buttstock. It can be set in 6 different positions.

Stock setting 2:



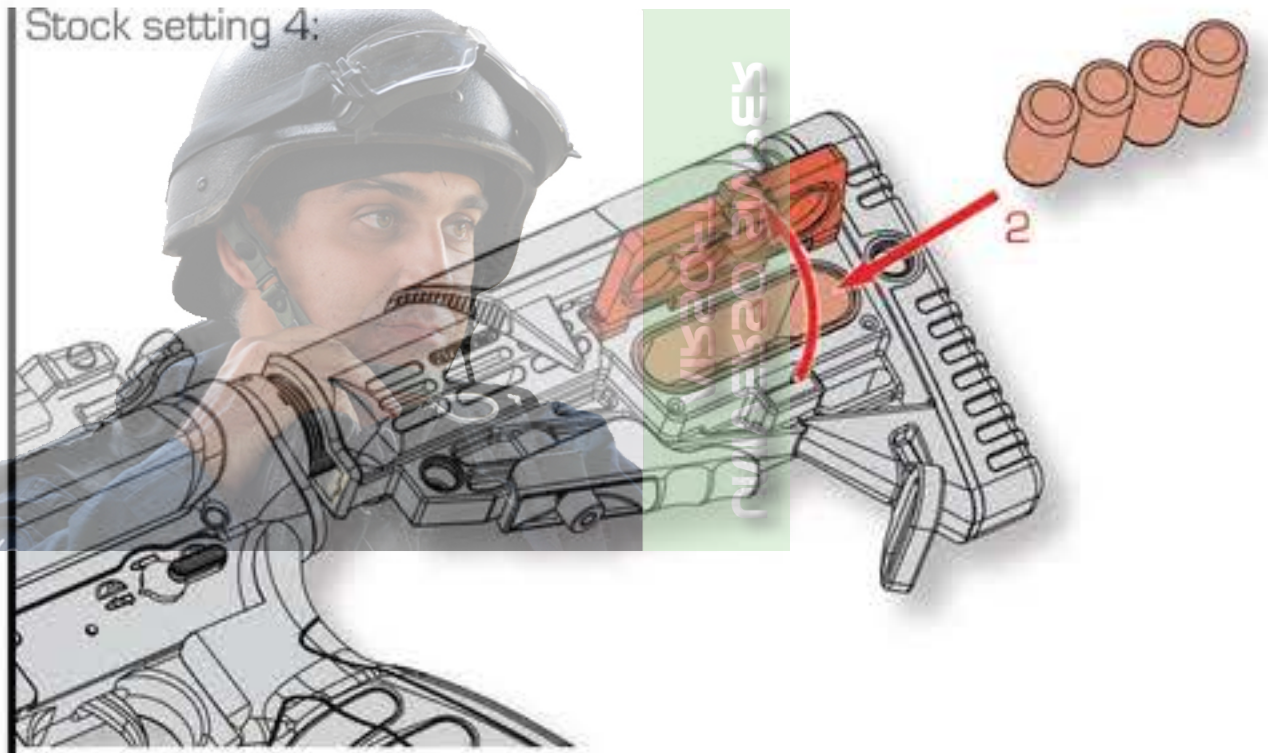
Loose the locking button to adjust the height of the cheek-rest.

Stock setting 3:



Press the button indicated to remove the cheek-rest from the stock.

Stock setting 4:



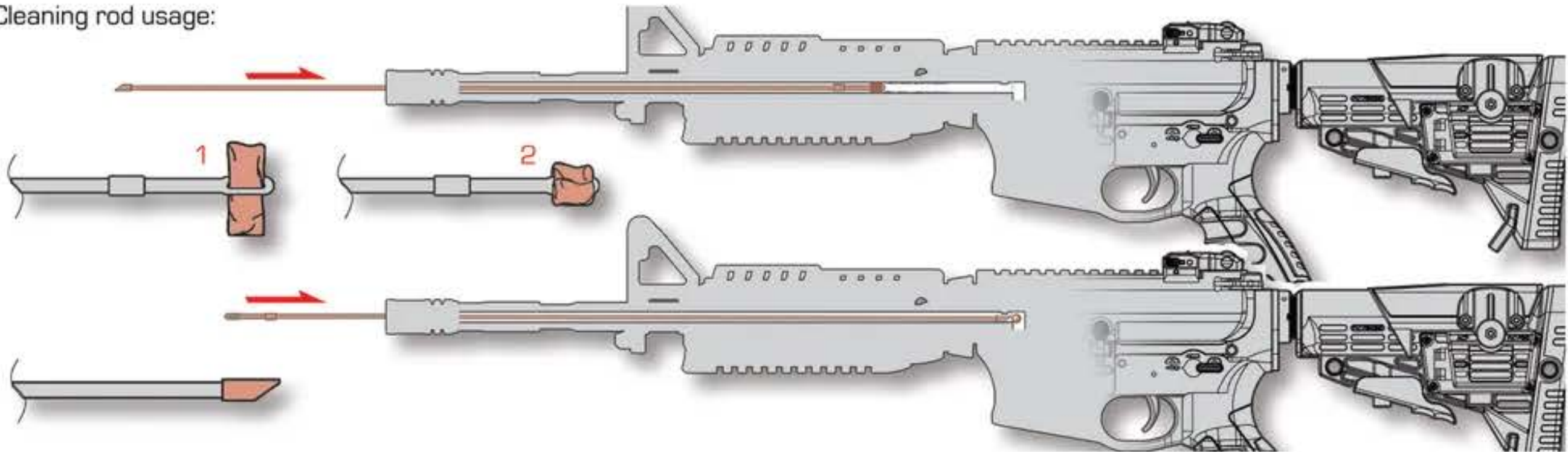
The storage compartment is capable to store four CR123 batteries.



# MAINTENANCE

Airsoft Only

Cleaning rod usage:



A cleaning rod is included with the package. There is a hole on one end and the user can place a piece of cleaning cloth and slide it in the inner barrel to clean the barrel.

On the other end, there is a plastic tip for the user to push the jammed BB out from the inner barrel.

Gearbox spring tension releasing:

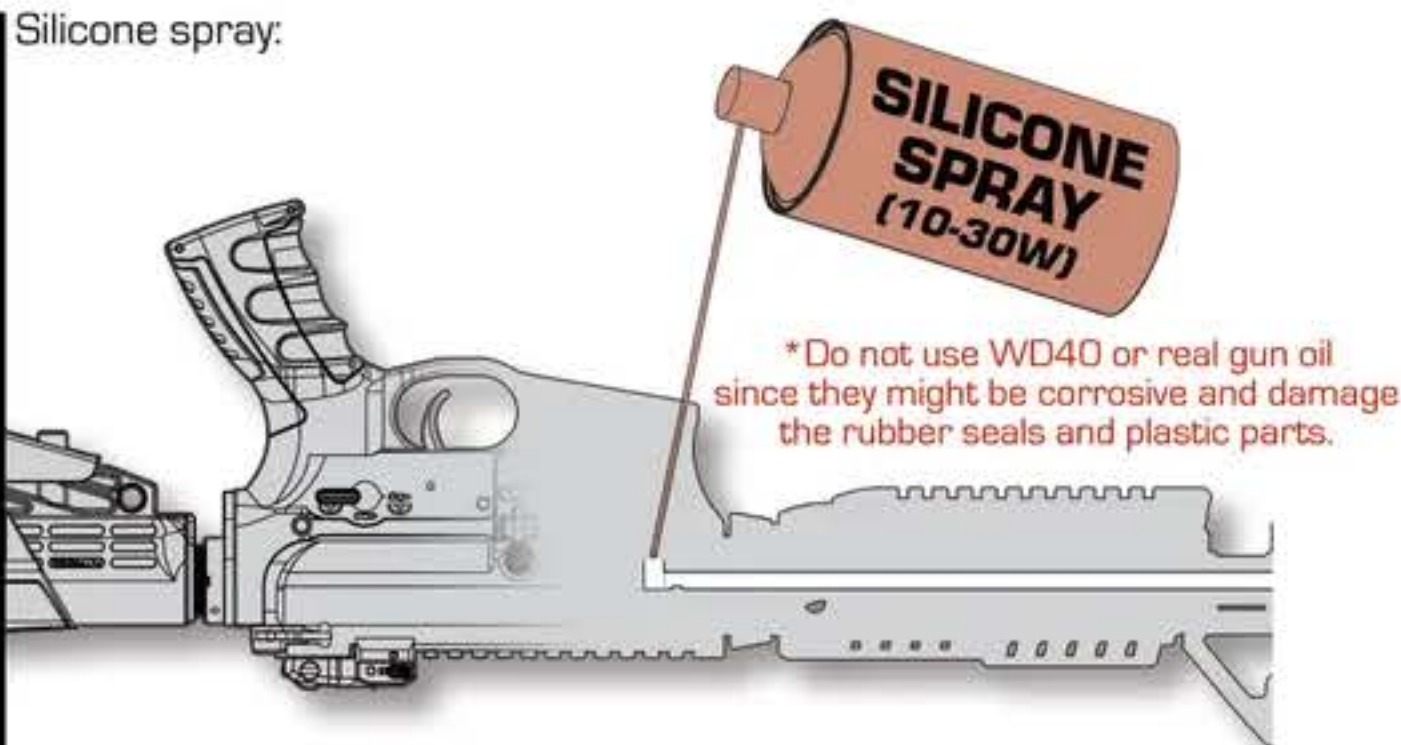
During the shooting process, the piston might not be able to finish the whole shooting cycle and is stopped in the middle. This will cause the spring to constantly being compressed and hence the shooting power will be decreased in the long run. Therefore, to ensure the piston to finish the whole shooting cycle and able to release the spring tension is important for the gearbox to be maintained in its best working condition. The easiest way to avoid this issue is to dry-firing 3-5 shots in semi-auto to let the piston to complete its cycle.



In this situation, the piston is stopped in the middle of the shooting cycle. The spring is now being compressed and it will cause damage to the spring.

After dry-firing 3-5 shots in semi-auto mode, the piston will complete its shooting cycle and going back to its original position, so the spring is not being compressed here.

Silicone spray:



Apply some silicon onto moving parts and also into the BB feeding tube (where the BBs are fed up into the hop-up unit).



# BATTERY INSTALLATION

Airsoft Only

Always treat your battery with care, do not attempt to disassemble or modify the battery. Do not alter the cord or plug. Make sure the battery is in good shape before charging. Use a standard charger when charging, charging electric current should be under 1.5 A. Never charge the battery if it is damaged. Stop charging when battery is overheating.



1. In order to install the battery to AEG, release the lock clip indicated and take the stock out.



2. Pull out the wires in the pipe.



3. Insert battery into the stock pipe.



4. Connect the plugs together.



5. Place the plugs and wires back into the pipe.



6. Install the stock back onto the pipe. Installation completed.



# QUICK CHANGE SPRING SYSTEM

Airsoft Only



1. Remove the stock.  
Remove the screw with a Phillips head screwdriver in the stock tube.



2. Take off the parts in this order as the indication.



3. Choose the right tool according to the spring guide.



4. Press down the spring guide with a flathead screwdriver and turn 90°. Caution! The rebound while turning the screwdriver might be dangerous.



5. Mind the distance between the wire, it may damage the wire due to the rebound.



6. Take off the original spring and the spring guide.



# ATTENTION!

Please make sure the screw is fastened in the stock tube before use.

Airsoft Only



7. Replace with desired spring, and install with the spring guide.



8. Press down the spring guide again with a flathead screwdriver, and fix the spring and the spring guide by turning the spring guide 90°. Caution! The rebound while turning the screwdriver might be dangerous.



9. Put the parts back in order.



10. Do not damage the wire.



11. Fasten the screw with a Phillips head screwdriver.



12. Reinstall the stock, and the customization has been completed!





# GET AIR UP

[www.caaairsoft.com](http://www.caaairsoft.com)  
[www.facebook.com/CAAIRSOFT](https://www.facebook.com/CAAIRSOFT)  
[www.youtube.com/user/CAAIRSOFTDIVISION](https://www.youtube.com/user/CAAIRSOFTDIVISION)