



Officially Licensed Product



KC-89 E-SLTR

Enhanced Speed Load Tactical Rifle



AIRSOFT ELECTRIC GUN

Produced by Classic Army, Hong Kong



TOTAL PERFORMANCE

INFO@CLASSICARMY.COM WWW.CLASSICARMY.COM

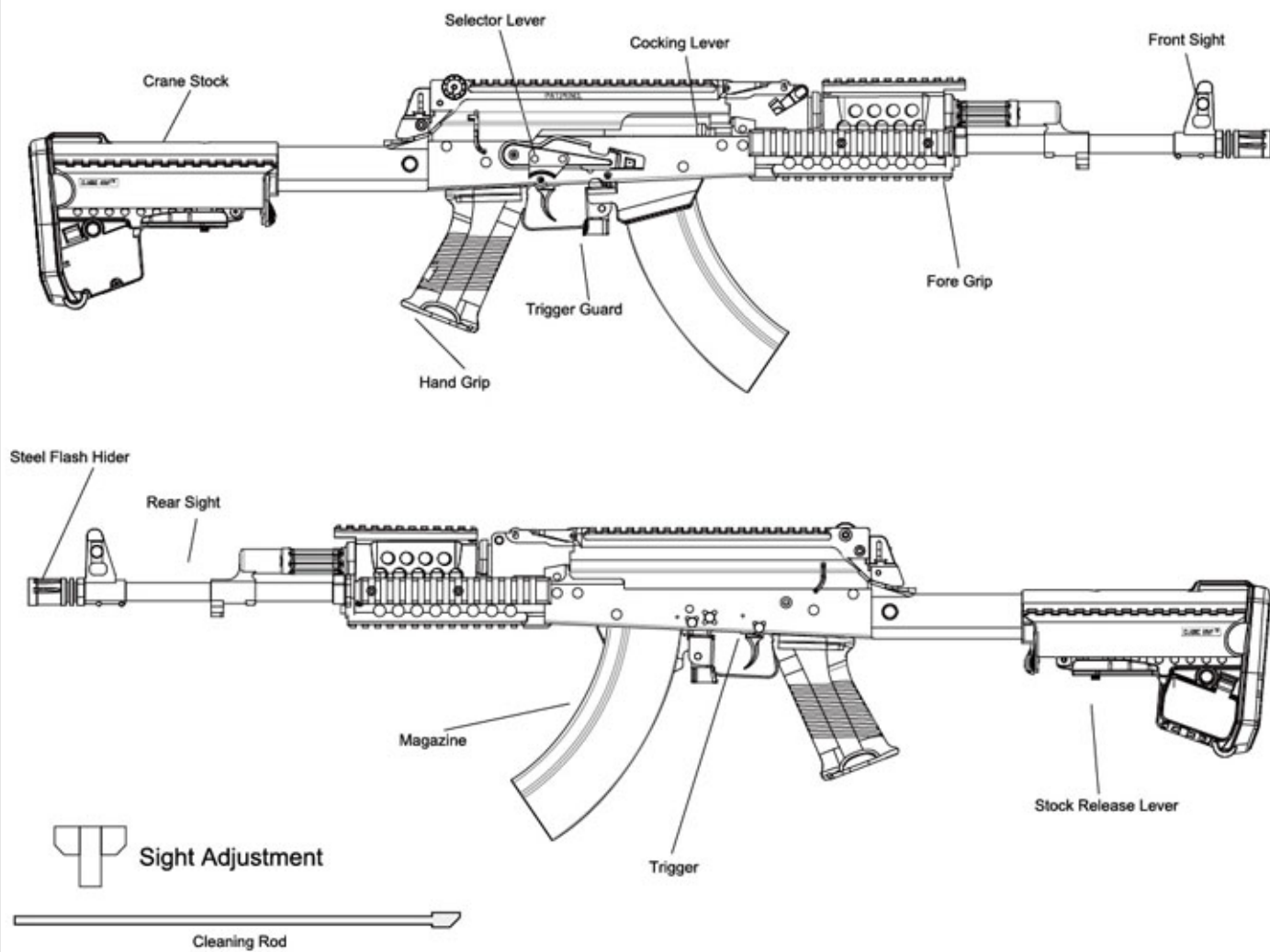
Handling Cautions and instruction Manual



CLASSIC ARMY AUTOMATIC ELECTRIC GUN SERIES

1 Outlook / Structure of KC-89 E-SLTR

Always set the selector switch to the safe position when you are not firing or during storage



2 Specification

Data of Automatic Electric Gun

Name	KC-89 E-SLTR	
		
Weight	4.4 kg	
Barrel Length	463 mm	
Barrel Caliber	6.08 mm	
Pellet Capacity	600 Rd	
Pellet	6 mm BB	
Initial Pellet Speed	115~135 m/s	
Battery Type	Large Type (9.6v)	

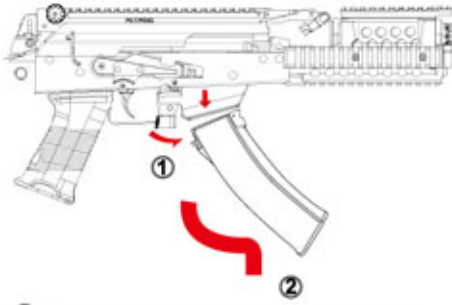
CA062M

3 Operation



There are BB pellets remain in the magazine hip and chamber. Please pay attention as BB pellets can't be discharged.

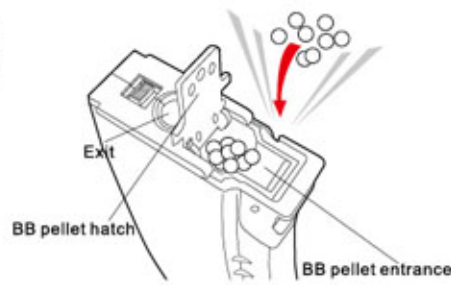
1 Magazine Attachment / Detachment Procedure



1 Press the magazine release lever to remove the magazine.



4 Hold the BB pellets entrance facing up and turn the gear at the bottom all the way until the click-click sounds change. (If only a small number of BB pellets are inserted, the gear merely makes blank turning.)



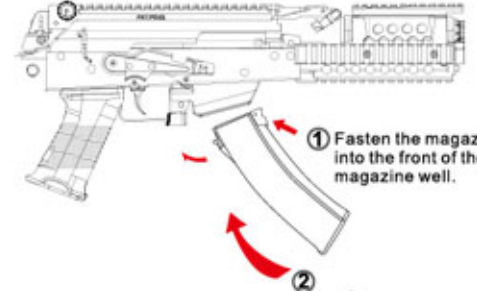
2 Open the top hatch and insert BB pellets. About 500 pellets may be loaded. (Avoid forcing BB pellets into the magazine.)



5 Check the BB pellets are lifted up to the exit, and then connect the magazine to the gun.



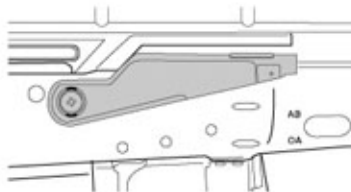
3 Close the hatch.



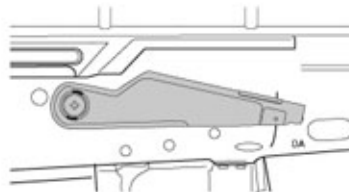
1 Fasten the magazine into the front of the magazine well.

6 Always set the magazine upward. Align the groove shown by an arrow and press the rear of the magazine.

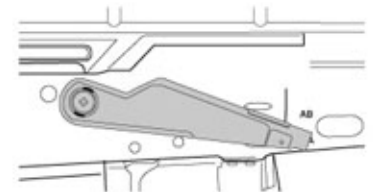
2 How to use safety lock



1 Safety Lock



2 Full Auto

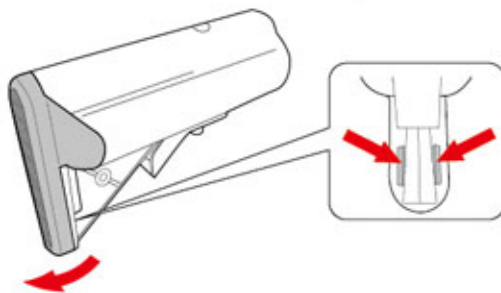


3 Semi Auto

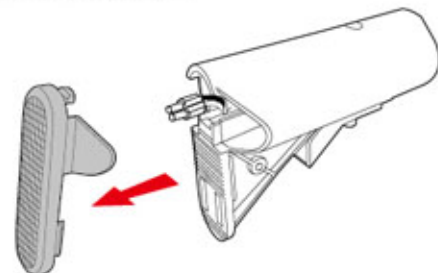
3 How to insert battery

Set the battery after charging

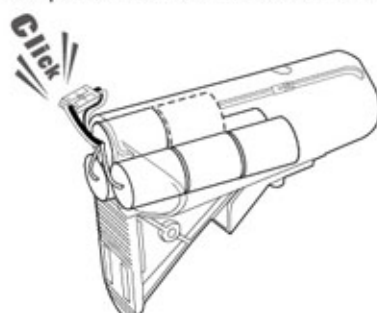
1. Push the two levers as indicate in the picture.



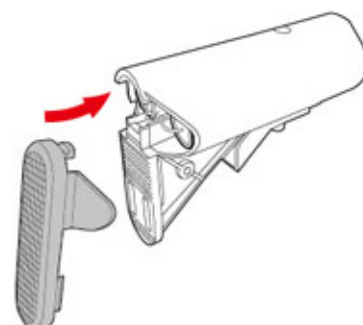
2. Pull the cover outward.



3. Put the battery into the stock extension tube as indicate in the picture and then connect the connectors.



4. Place the wires back in properly and put the cover back on.

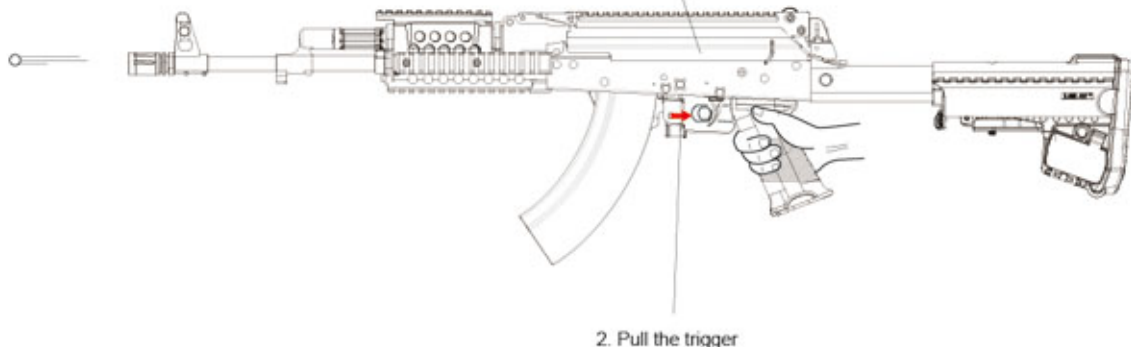
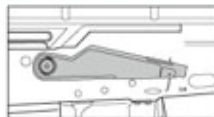




CLASSIC ARMY AUTOMATIC ELECTRIC GUN SERIES

4 How to fire

1. Switch the selector lever to Semi or Full Auto



2. Pull the trigger



There may be instances where the gun may lock up in semi auto. When this happens, do NOT keep pulling the trigger. Switch to Full Auto and attempt to fire a short burst.



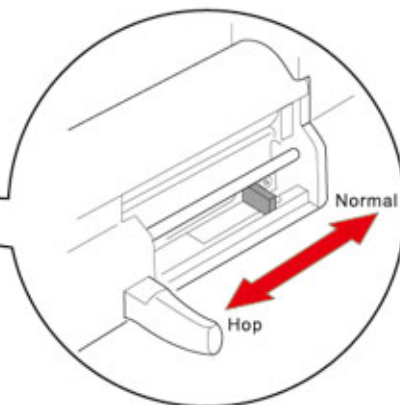
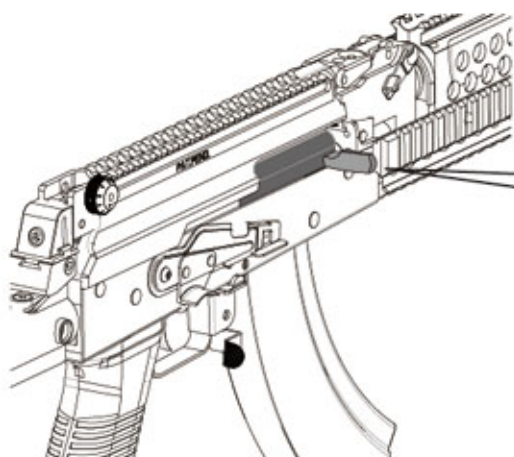
When operating a brand new gun, there may be a smell coming from the motor. This is normal.



The rifle may be inaccurate for the first 200-300 rounds due to factory lubrication. This is normal.

• Upon inserting a fresh magazine, the first shot may be blank. This is normal.

5 Hop up system adjustment



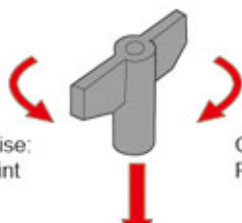
Pulling back the charging handle to access the hop up lever.



Adjusting the lever excessively will adversely affect the trajectory. Stop adjusting once the bb's shoot flat.

6 Sight adjustment

Front Sight :

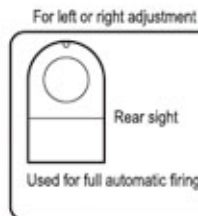


Counterclockwise:
Lower sight point

Clockwise:
Raise sight point

Insert the front sight adjustment tool in the front sight and turn to adjust.

Rear Sight

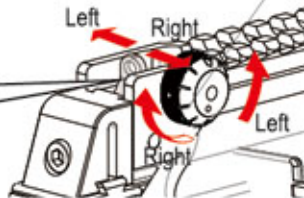


For left or right adjustment

Rear sight
Used for full automatic firing.

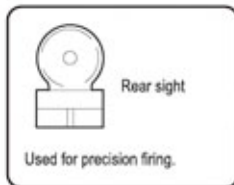
Turn clockwise:
Raise the point of impact.

Windage adjustment knob

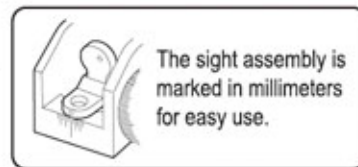


Turn anti-clockwise:
Lower the point of impact.

Rear Sight
For precision targeting



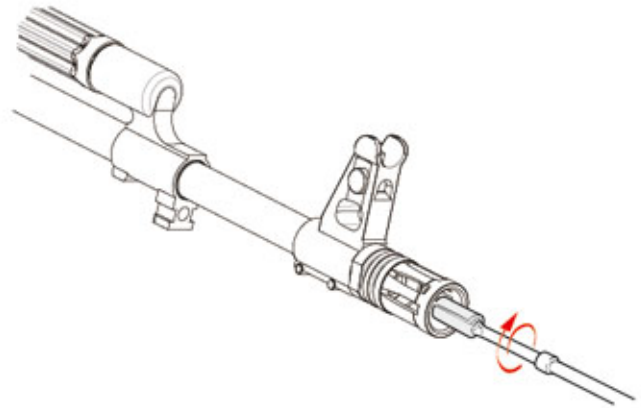
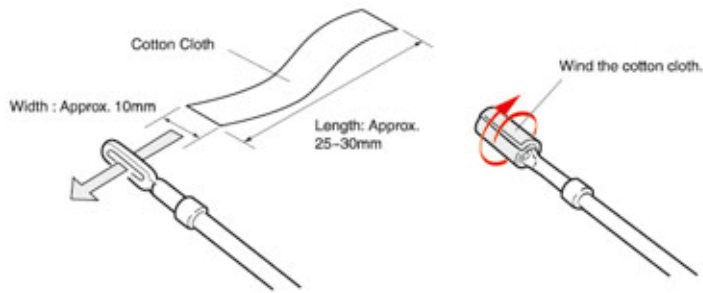
Rear sight
Used for precision firing.



The sight assembly is marked in millimeters for easy use.

4 Maintenance

7 How to use a cleaning rod



Cut a piece of cloth (preferably cotton) to the size shown above and insert one end into the hole in the rod.

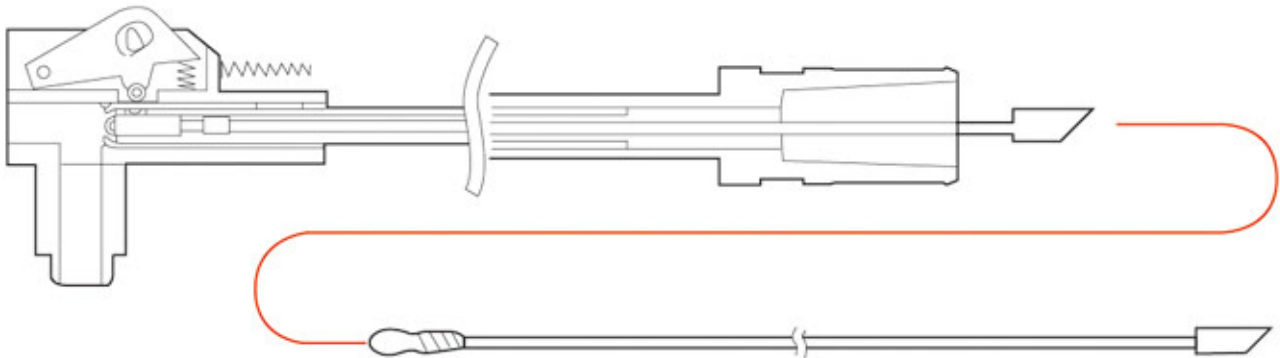
Insert the rod into the barrel with a twisting motion.



When inserting cleaning rod into the barrel, do not hold it by the end. Rod may bend and/or break inside of the barrel.



Always return the hop up adjustment level to NORMAL before performing any maintenance.



Never use any used BB pellets



Using new 6mm BB pellet is a must.



Please do not use incomplete BB.

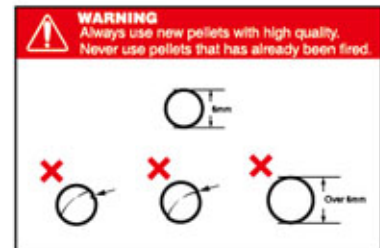


Please do not use broken BB pellet.



Please do not use BB pellet which diameter exceeded 6 mm.

5 WARNING



In no event shall Classic Army or any of our partners be liable for any direct or indirect, special, incidental, or consequential damages in connection with the use of our products.

6 For complete product information, dealer locations and technical support, please visit the website of Classic Army Sole Distributors .

Italy, San Marino Republic, Citta del Vaticano, Spain (includes Andorra and Gibraltar) Portugal and Switzerland

Evolution International S.r.l

Via Dell' Annunciata n.31, 20121 Milano, Italy
Tel: +39 02 2545 9027
Fax: +39 02 2511 8356
Email: info@evolution-airsoft.com
Website: <http://www.evolution-airsoft.com>

Denmark, Sweden, Norway & Finland, France, Germany, Austria, United Kingdom, Poland, Baltic countries, Belgium, Luxembourg, the Czech Republic and Slovakia

ActionSportGames A/S

Bakkegaardsvej 304, DK-3050 Humlebaek, Denmark
Tel: +45 8928 1888
Fax: +45 4919 3160
Email: sales@actionsportgames.com
Website: <http://www.actionsportgames.com>

The United States of America

Spartan Imports, Inc.

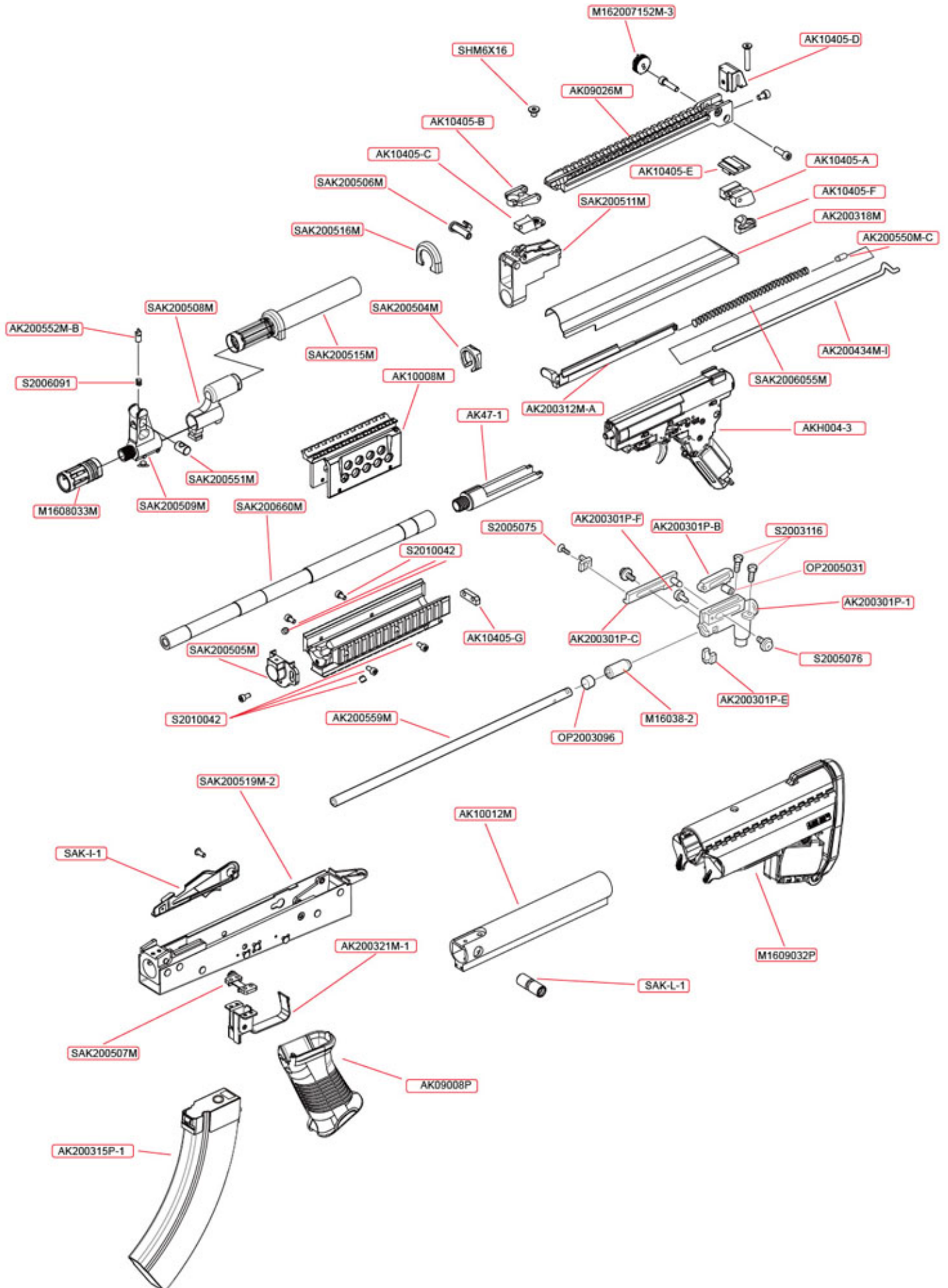
213 Lawrence Avenue, South San Francisco, CA 94080, USA
Tel: +1 650 589 5501
Fax: +1 650 589 5552
Email: info@spartanimports.com
Website: <http://www.spartanimports.com>

Ukraine

Vizantiya-1

76 Alishera Navoi Avenue, Kyiv, Ukraine
Tel: +380 44 408 4369
Fax: +380 44 408 0633
Email: vizantiya_1@svitonline.com
Website: <http://www.militarist.com.ua>

7 Exploded Diagram



LIMITED WARRANTY

Spartan Imports warrants this airsoft rifle purchased through Spartan Imports Authorized Dealers to be free from manufacturer defects in materials and workmanship under normal consumer usages for sixty (60) days. This warranty extends only to the first consumer purchase and is not transferable.

WHAT IS COVERED Replacement parts and labor.

WHAT IS NOT COVERED Shipping Charges to and from Spartan Imports for defective product and damages caused by abuse or failure to perform normal maintenance as well as any other expense.

Abuse & Misuse. Defects or damage that result from: (a) improper operation, storage, misuse or abuse, accident or neglect, such as physical damage (cracks, scratches, etc.) to the surface of the product resulting from misuse; (b) contact with liquid, water, rain, extreme humidity or heavy perspiration, sand, dirt or the like, extreme heat, or food; (c) use of the Products for commercial purposes or subjecting the Product or Accessory to abnormal usage or conditions; or (d) other acts which are not the fault of Spartan Imports, are excluded from coverage.

Use of Uncertified or Incompatible Products and Accessories. Defects or damage that result from the use of uncertified or incompatible Products, Accessories, or other peripheral equipment are excluded from coverage. Defects or damage that result from the use batteries or BBs that are not recommended by Spartan Imports are excluded from coverage.

Unauthorized Service or Modification. Defects or damages resulting from service, testing, adjustment, installation, maintenance, alteration, or modification in any way by someone other than Spartan Imports are excluded from coverage. This includes removal or alteration of the orange safety tip. Products or Accessories that show evidence of tampering are excluded from coverage.

Consequential damages, or incidental expenses, including damage to property. Some states do not allow the exclusion or limitation of incidental or consequential damages, so the above limitation or exclusion may not apply to you.

WARRANTY CLAIMS - Warranty Claims and Repair for North American customers only.

Please go to our website at www.spartanimports.com and visit the RMA Form section on our website. Please read this section carefully and then fill out the RMA form linked at the bottom of the page.

If it is determined that a return is necessary, you will be issued a Return Authorization Number via a reply email. Send a copy of your RMA form, a copy of your original purchase receipt, and a check made payable to Spartan Imports for \$21.95 to cover return shipping and handling along with your defective product. Be sure your full contact information (name, address, phone number, and email) are on the RMA form and please also boldly write the RMA number boldly on your box. Return the product prepaid to Spartan Imports at the address on the RMA form.

ANY IMPLIED WARRANTIES, INCLUDING WITHOUT LIMITATION THE IMPLIED WARRANTIES OF MERCHANTABILITY AND FITNESS FOR A PARTICULAR PURPOSE, SHALL BE LIMITED TO THE DURATION OF THIS LIMITED WARRANTY, OTHERWISE THE REPAIR OR REPLACEMENT AS PROVIDED UNDER THIS EXPRESS LIMITED WARRANTY IS THE EXCLUSIVE REMEDY OF THE CONSUMER, AND IS PROVIDED IN LIEU OF ALL OTHER WARRANTIES, EXPRESS OR IMPLIED.

IN NO EVENT SHALL SPARTAN IMPORTS BE LIABLE, WHETHER IN CONTRACT OR TORT (INCLUDING NEGLIGENCE) FOR DAMAGES ARISING OUT OF OR IN CONNECTION WITH THE ABILITY OR INABILITY TO USE THE PRODUCTS TO THE FULL EXTENT THESE DAMAGES MAY BE DISCLAIMED BY LAW.

REPAIR

Perform routine inspection and maintenance to check for proper function. Modification may cause a gun to malfunction and tampering with a gun may make it unsafe to use. Any change in the performance, such as lowered trigger force and shortened trigger travel, indicates possible wear and that such guns should be inspected, replaced, or properly repaired, and repairs should

only be made by Spartan Imports authorized dealer. Check any gun that has been dropped to ensure that its function has not been affected.



DISTRIBUTED BY



SPARTAN IMPORTS

AMERICA'S PREMIER AIRSOFT DISTRIBUTOR

WWW.SPARTANIMPORTS.COM



Krebs Custom name and logo are registered trademarks of Krebs Custom, Inc and used under exclusive worldwide license for airsoft guns and accessories by Spartan Imports Inc.