



M24

SOCOM SNIPER

MILITARY TYPE / CIVILIAN TYPE



BOLT ACTION SERIES

HANDLING CAUTIONS AND INSTRUCTION MANUAL

WARNING

- FOR AGE 18 YEARS OR ABOVE.
- PLEASE READ THE INSTRUCTION CAREFULLY BEFORE USAGE. MISUSE OR CARELESS USAGE MAY CAUSE SERIOUS INJURY.
- USER SHOULD OBEY TO ALL LAWS REGARDING THE USAGE AND OWNERSHIP OF GAS GUNS.
- FACIAL PROTECTION IS REQUIRED.

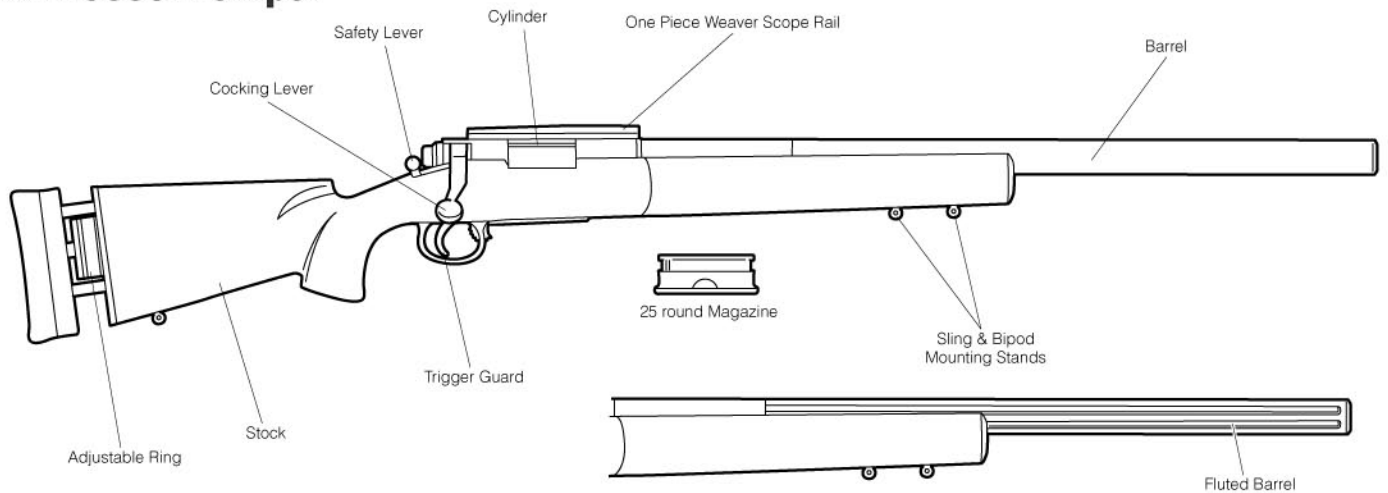
Made By Classic Army, Hong Kong

CLASSIC ARMY SOCOM SNIPER SERIES

1 Outlook / Structure of M24 Socom Sniper

Always set the selector switch to the safe position when you are not firing or during storage

M24 Socom Sniper



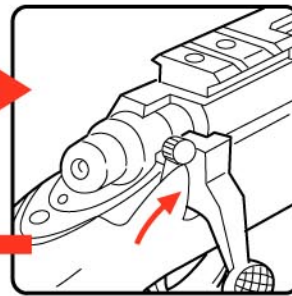
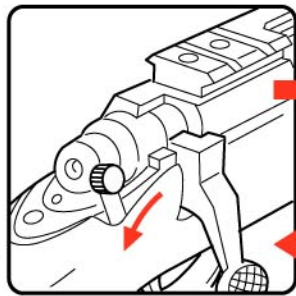
Specification of Socom Sniper

| Name | M24 Socom Sniper 'Military Type' With One Piece Fluted Barrel | M24 Socom Sniper 'Civilian Type' With One Piece Barrel |
|----------------------|---|--|
| | | |
| Weight | 3.603kg | 3.69kg |
| Barrel Length | 515mm | 515mm |
| Barrel Caliber | 6.08mm | 6.08mm |
| Pellet Capacity | 25 | 25 |
| Pellet | 6mm BB | 6mm BB |
| Initial Pellet Speed | 85-95m/sec | 85-95m/sec |
| Operation | Bolt Action | Bolt Action |
| Model No | S001M | S002M |

2 Operation

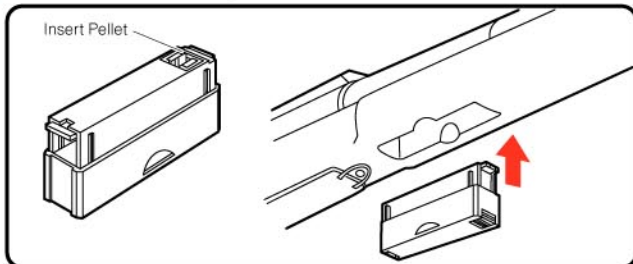
1 How to use the Safety Lock

Pull the safety lever backward in order to make the safety function valid.



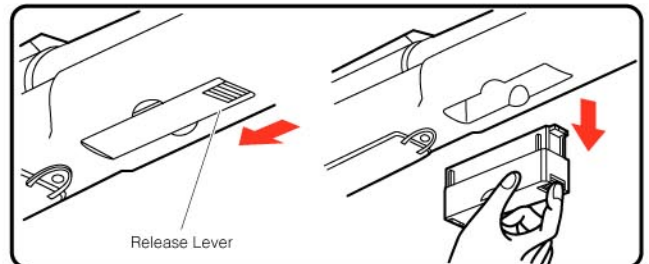
Push the safety lever forward in order to remove the safety function.

2 Procedure of Magazine Attachment / Detachment



The pellet hatch in the magazine needs to be parallel to the muzzle's direction.

Holding the bottom of the magazine and push upward, until it's locked.



Please pinch tightly on the release lever, then pull it out from the barrel.



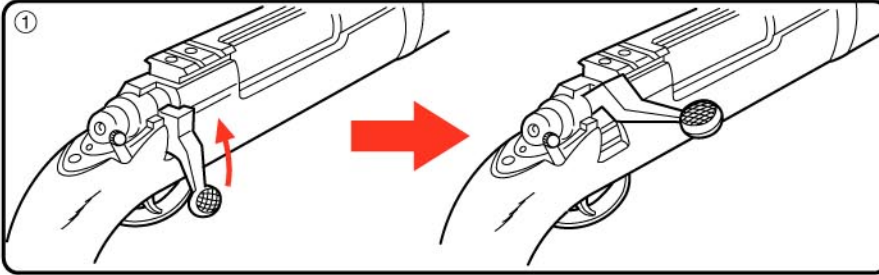
High precision is required for the operation of the magazine. Avoid invasion by dust and dirt into the magazine to prevent malfunctions.

M24 Socom Sniper

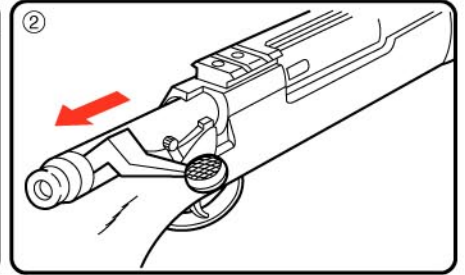
3 How to Fire



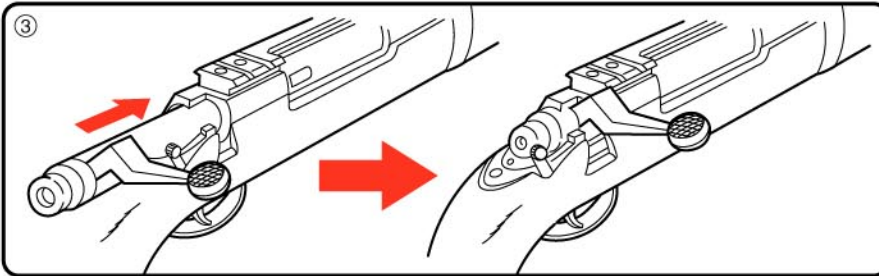
Always set the safety lever to the safety position when you are not firing or during storage.



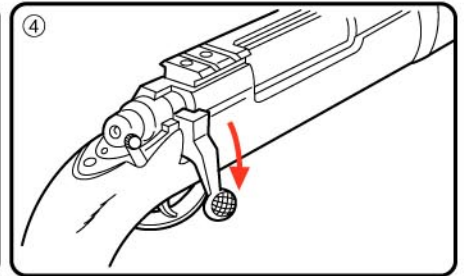
Push the cocking lever upward.



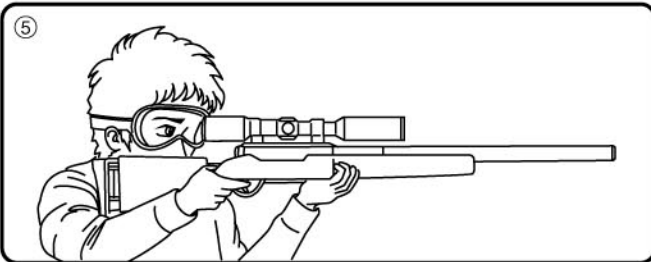
By then, pull the cocking lever backward in parallel situation until you heard a sound.



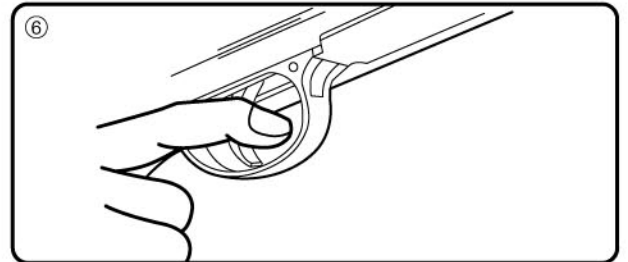
Keep the angle of the lever unchanged and push it forward.



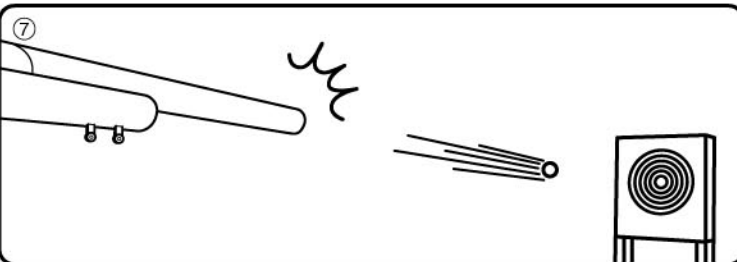
Put the lever back to the original position.



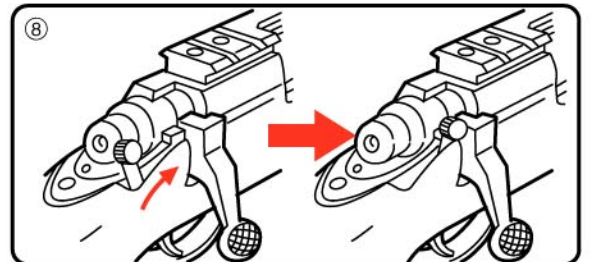
Make sure the target & shooting range is safety enough and it will not affect the others.



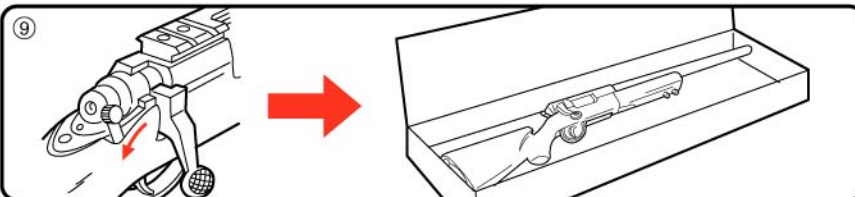
Put your finger hanging on the trigger, after confirming the direction of the target.



Point to your target and BB pellets will shoot towards.

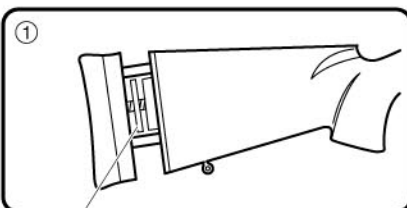


Unlock the safety function, push the safety lever forward.

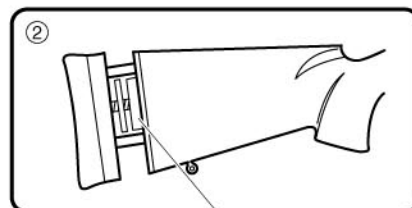


Pull down the safety lever and then please keep this condition in gun case.

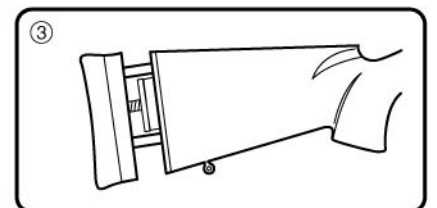
4 Stock Adjustment



Loose the lock ring



Adjust the length by turning the adjustable ring.
(Adjustable range: about 60mm)



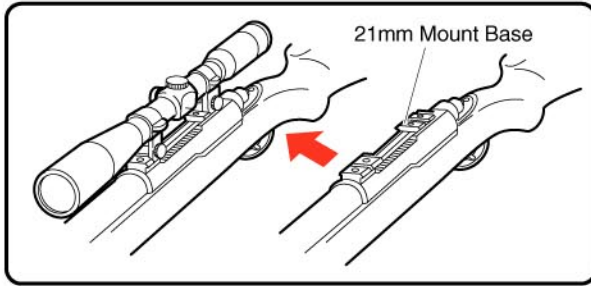
Fixed the length by locking the lock ring to the adjustable ring tightly.



After shooting around 1000 BB pellets, please spray some silicone oil to the parts of the rifle.

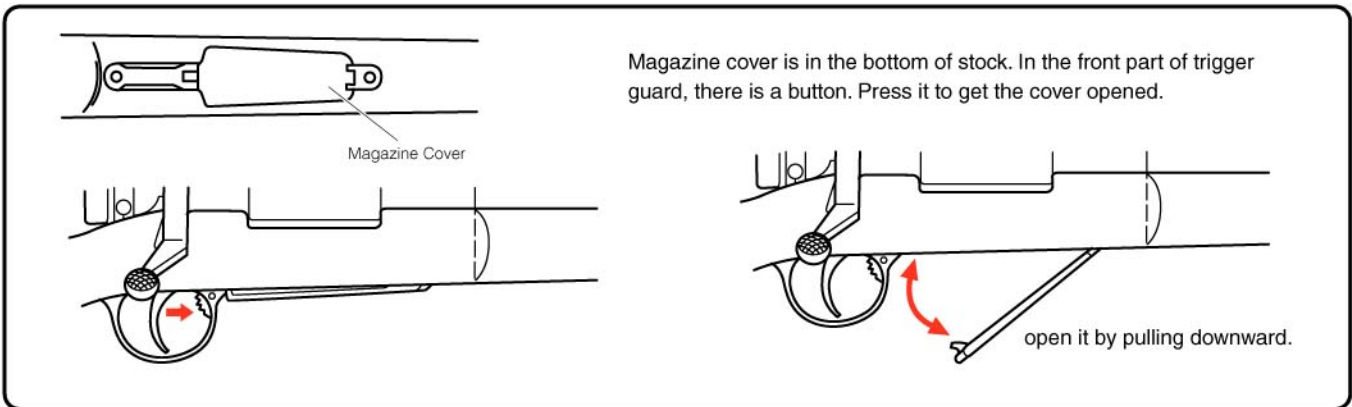
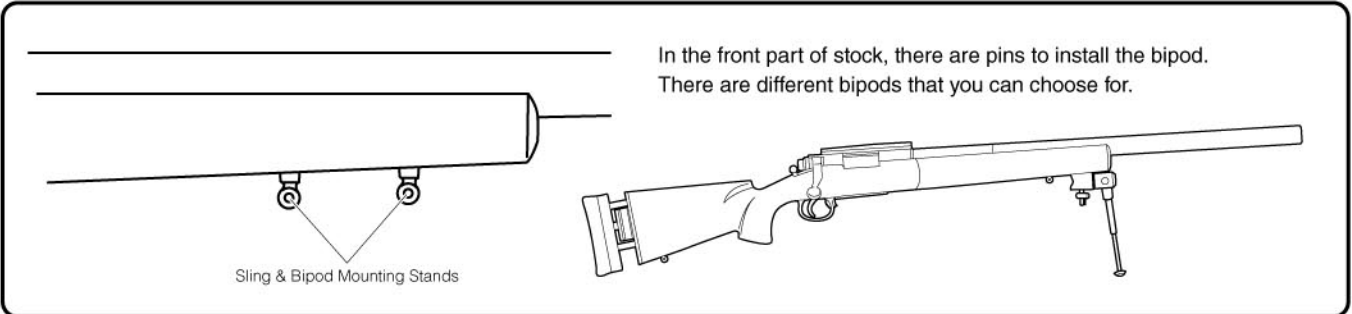
CLASSIC ARMY SOCOM SNIPER SERIES

5 Scope Installation

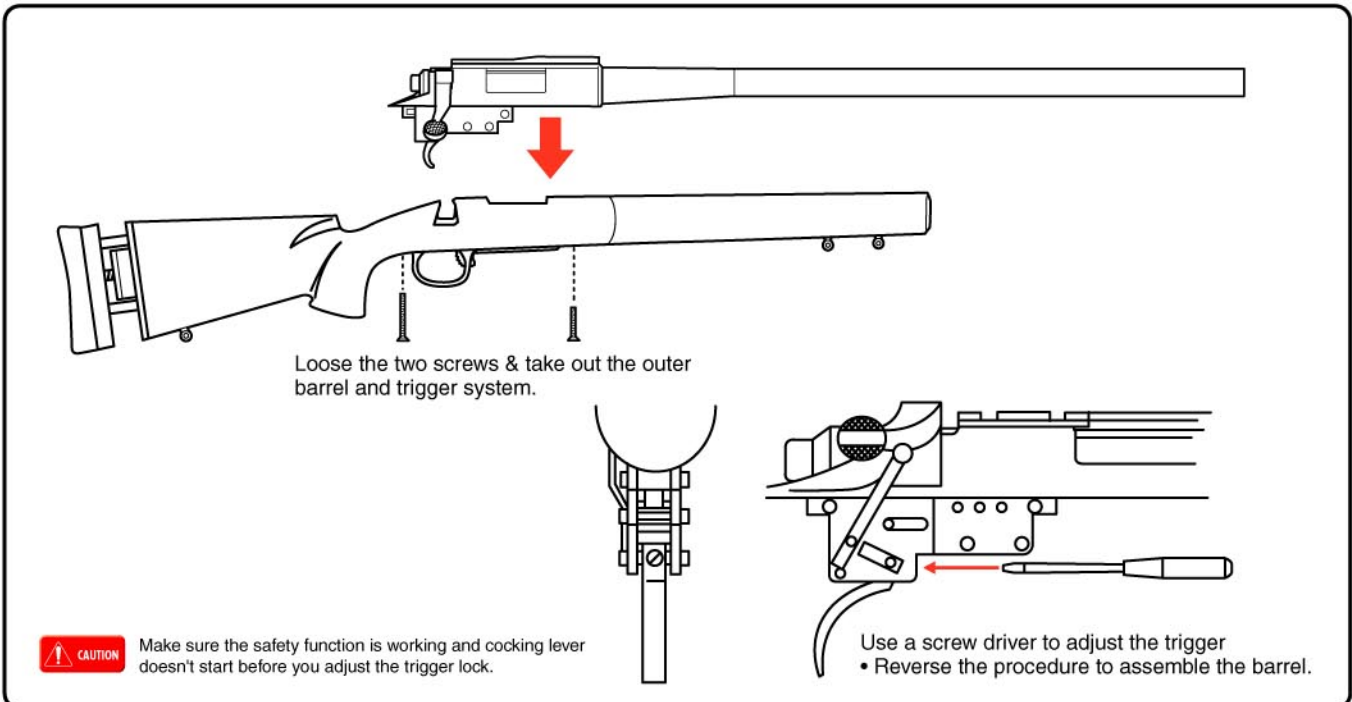


There is a 21mm width mount base for scope installation. Use a mount ring together in order to hold the scope on the gun.

6 Bipod Installation

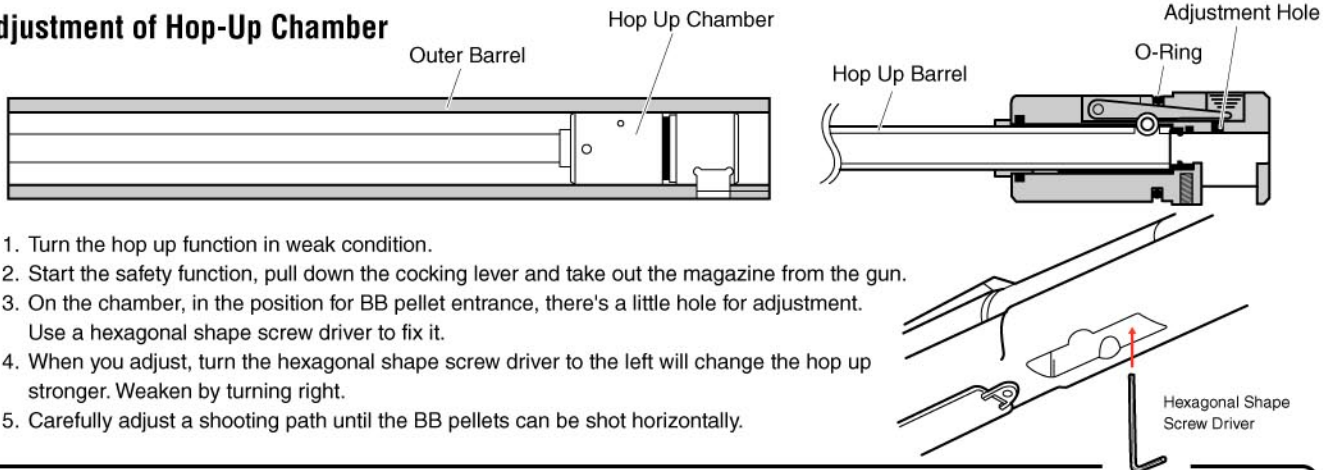


7 Adjustment of trigger system

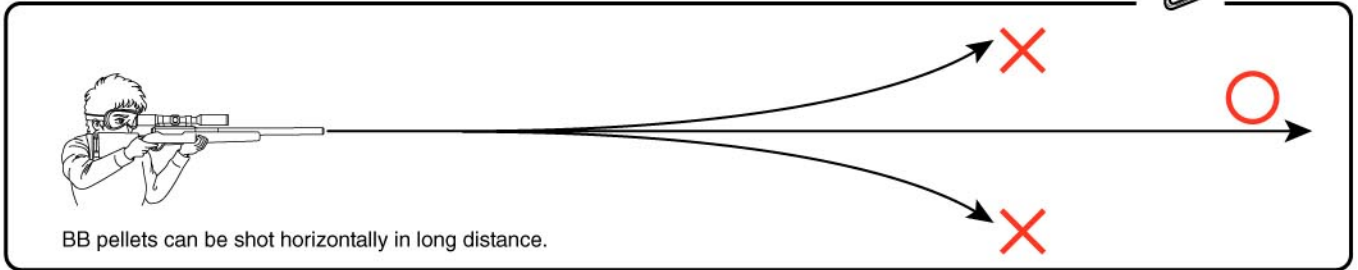


M24 Socom Sniper

8 Adjustment of Hop-Up Chamber



1. Turn the hop up function in weak condition.
2. Start the safety function, pull down the cocking lever and take out the magazine from the gun.
3. On the chamber, in the position for BB pellet entrance, there's a little hole for adjustment. Use a hexagonal shape screw driver to fix it.
4. When you adjust, turn the hexagonal shape screw driver to the left will change the hop up stronger. Weaken by turning right.
5. Carefully adjust a shooting path until the BB pellets can be shot horizontally.



BB pellets can be shot horizontally in long distance.

CAUTION Quality of BB pellets will affect the shooting performance. Never use any used BB pellets.

4 Accessories & Spare Parts

| | | | |
|-----------------------------|--|--|---------------------------------------|
| A026M APS-2 Gas Cylinder | A027M M24 Gas Cylinder | A028M Bipod For Socom Sniper | A038M APS-2 Advanced Cylinder |
| A039M M24 Advanced Cylinder | A040M APS-2 Advanced Cylinder Air Spring Kit | A041M M24 Advanced Cylinder Air Spring Kit | P031P Magazine For M24 & APS-2 (25Rd) |
| P038M APS Vaccum Piston | P039M APS Spring Guide | P040M APS Hop Up Chamber | P045 APS 300% Spring |
| P046 APS 380% Spring | P067M 30mm Offset Sight | P068M 20mm High Mount Ring | P072M 30mm One Piece Mount Ring |


CLASSIC ARMY SOCOM SNIPER SERIES

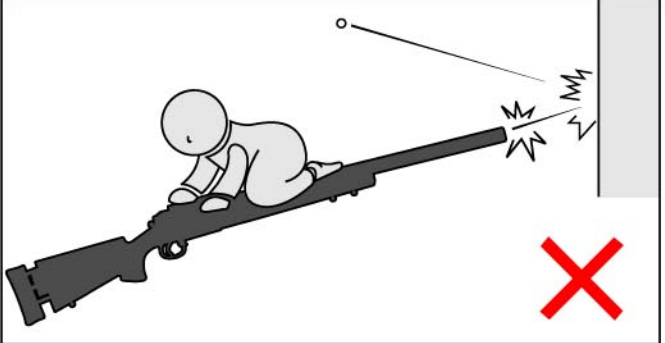
3 WARNING

Always read this manual before usage.

 **WARNING**
Never point the muzzle at people or animals.




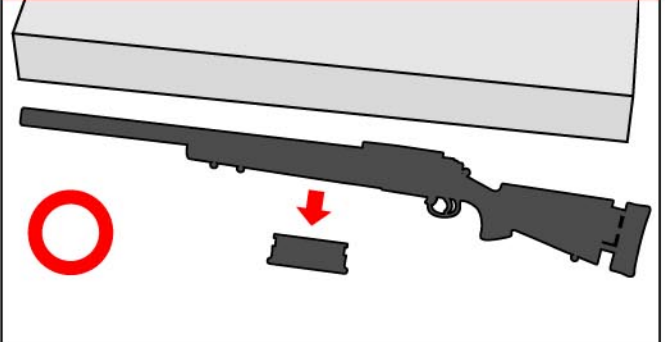
 **WARNING**
Please keep the rifles far away from children.



 **WARNING**
Don't try to look at the muzzle directly.




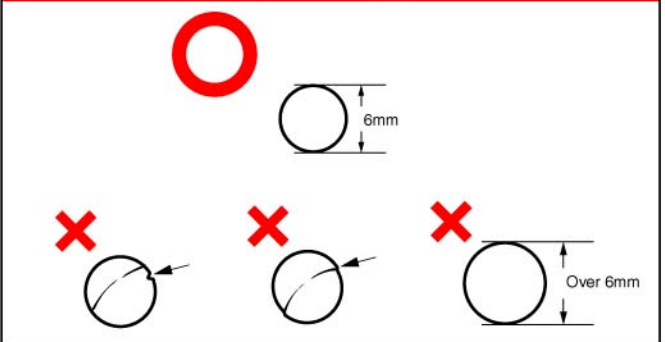
 **WARNING**
Always detach the magazine and battery from the gun before storage.



 **WARNING**
Don't hang your finger on the trigger if you are not shooting.



 **WARNING**
Always use new pellets with high quality.
Never use pellets that has already been fired.



 **WARNING**
Never load the rifle if you don't intend to fire it.



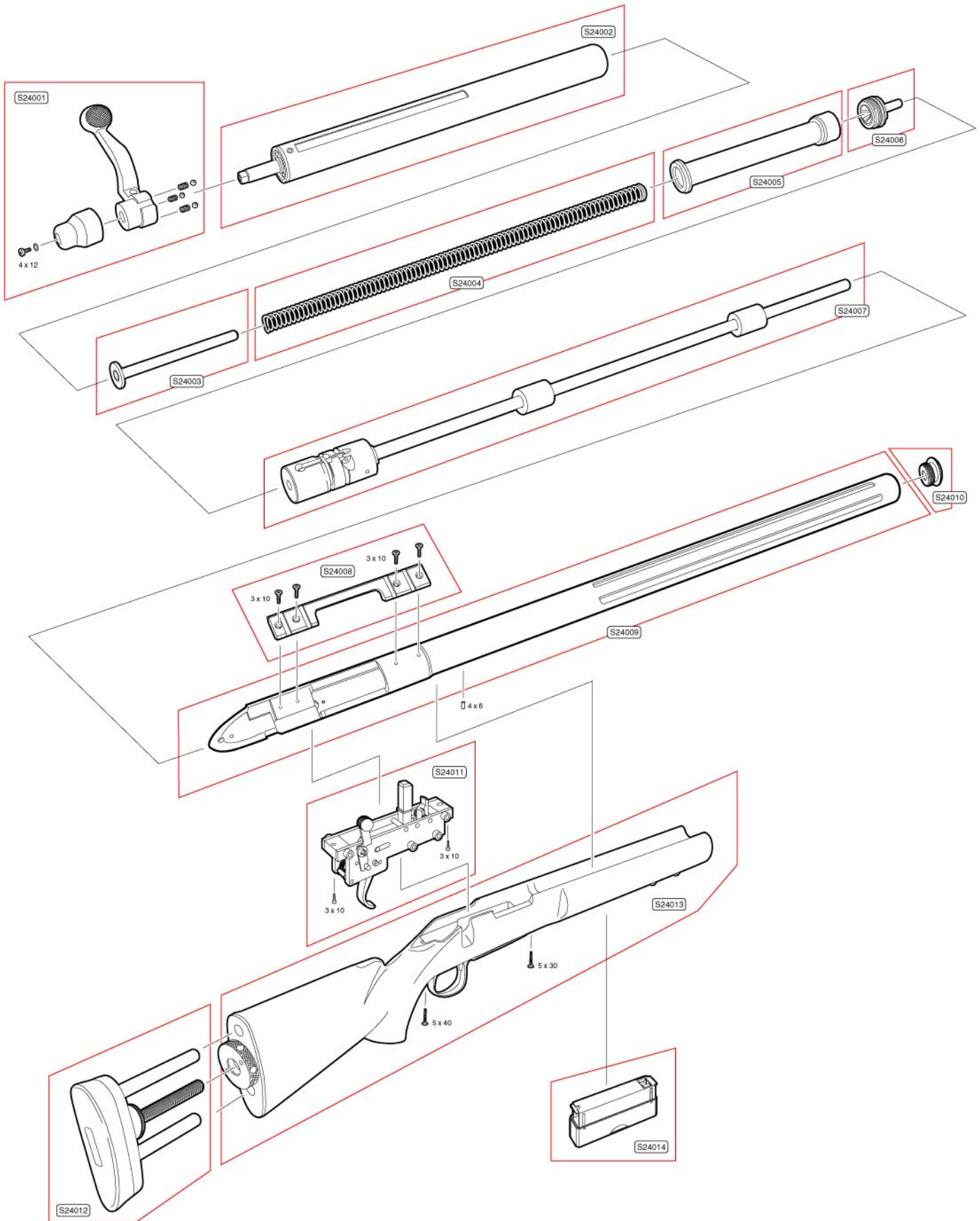
 **WARNING**
Please remember to wear protective glasses or shooting glasses to protect the eyes.



In no event shall Classic Army or any of our partners be liable for any direct or indirect, special, incidental, or consequential damages in connection with the use of our products.

M24 Socom Sniper

4 Exploded Diagram



Remember to disassemble the gun after understanding the instruction thoroughly.



M24

SOCOM SNIPER
MILITARY TYPE / CIVILIAN TYPE



CLASSIC ARMY

Website : www.classicarmy.com
E-mail : info@classicarmy.com