

WA[®]
CLASSIC ARMY

SAR OFFIZIER M41 FS

HANDLING CAUTIONS AND INSTRUCTION MANUAL



WARNING

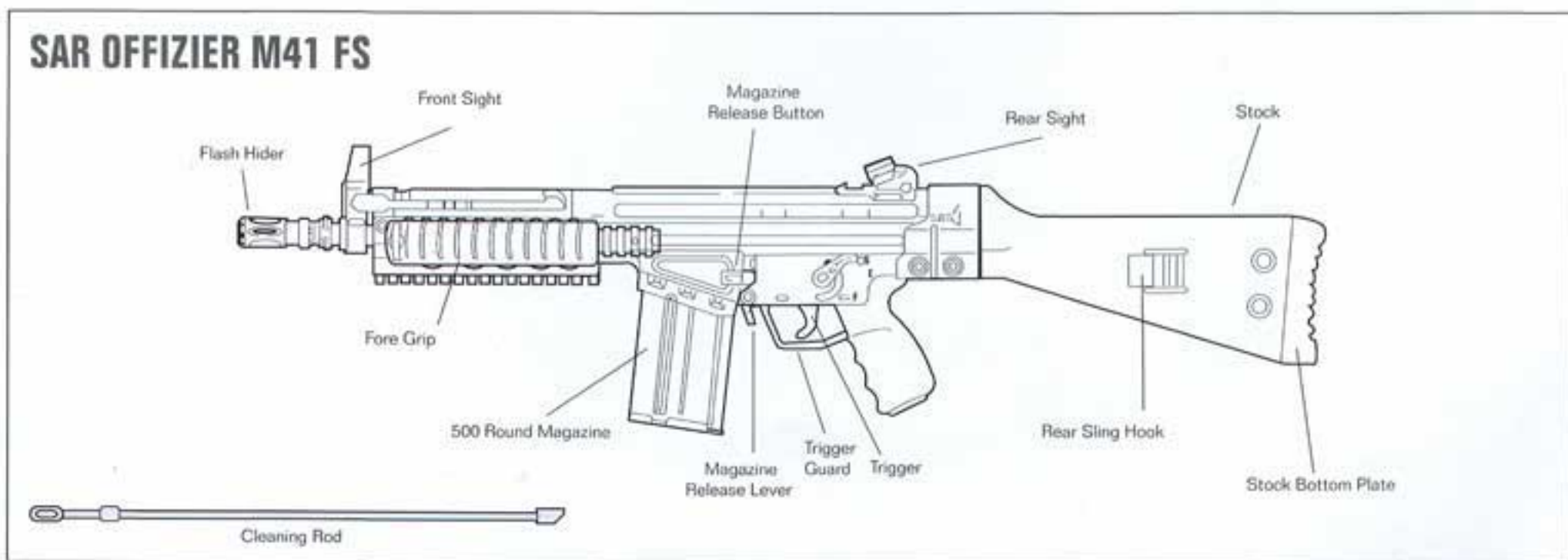
- FOR AGE 18 OR ABOVE.
- PLEASE READ THE INSTRUCTIONS CAREFULLY BEFORE USE. MISUSE OR CARELESS USE MAY CAUSE SERIOUS INJURY.
- USER SHOULD OBEY TO THE LAWS REGARDING THE USAGE AND OWNERSHIP OF AIRSOFT ELECTRIC GUNS.
- FACIAL PROTECTION IS REQUIRED.

**HOP-UP
SYSTEM**

Produced By Classic Army, Hong Kong

1 Outlook / Structure of SAR OFFIZIER M41 FS

Always set the selector switch to the safe position when you are not firing or during storage



2 Specification

Data of Automatic Electric Gun

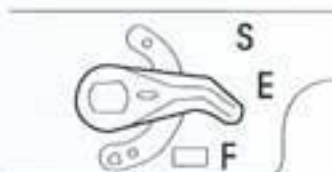
Name	SAR OFFIZIER M41 FS	
Weight	2.9 kg	
Barrel Length	280mm	
Barrel Caliber	6.08mm	
Pellet Capacity	500	
Pellet	6mm BB	
Initial Pellet Speed	85-95m/sec	
Battery Type	Large Type (8.4V)	

3 Operation

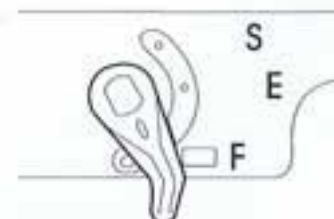
1 How to use safety lock



S : Safety Lock



E : Semi Auto



F : Full Auto

2 Magazine Attachment / Detachment procedure

High precision is required for the operation of this magazine. Avoid exposure to dust and dirt into the magazine to prevent malfunctions.

Action against Problem

Failure in pellet feeding may occasionally occur during full auto operation. In this case, disconnect the magazine, give a slight shock or poke BB pellets using a stick and then set the magazine again.



About 30 pellets remain in the duct after operation. Be careful with the pellets which will fire out if you hold the gun up-side-down and pull the trigger.

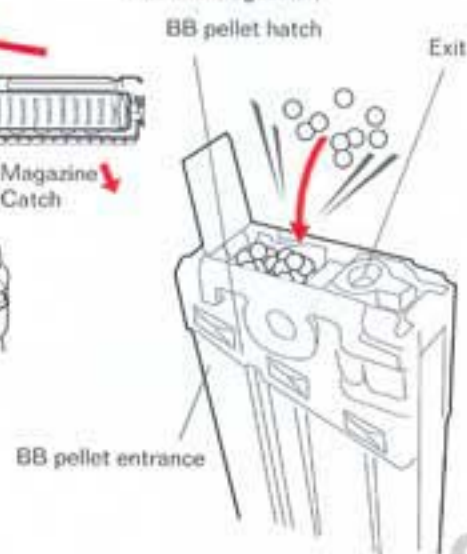
Ensure Smooth Pellet Feeding

- Occasionally give slight shocks to the gun or shake vertically for ensuring smooth pellet feeding.
- Slightly turn the gear after every 50 to 60 pellets for ensuring smooth pellet feeding.

1 Press the magazine catch to detach the magazine



2 Open the top hatch and insert BB pellets. About 500 pellets can be loaded. (Avoid forcing BB pellets into the magazine.)



3 Close the hatch pellet stopper releasing lever



- Remove pellets remaining in the duct by reversing the magazine and using the release lever as shown. This ensures smooth operation next time.

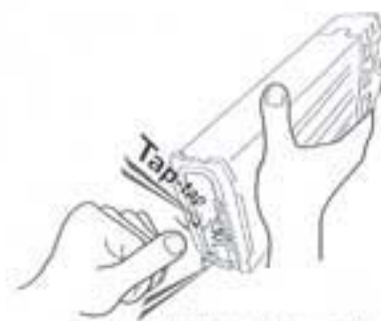
4 Hold the magazine with BB pellet entrance facing upward. Turn the gear at the bottom all the way until the click-click sounds change. (If only a small number of BB pellets are inserted, the gear merely makes blank turning.)

Turn the gear all the way until the sound changes.

The gear will not be damaged even if you turn it excessively.



5

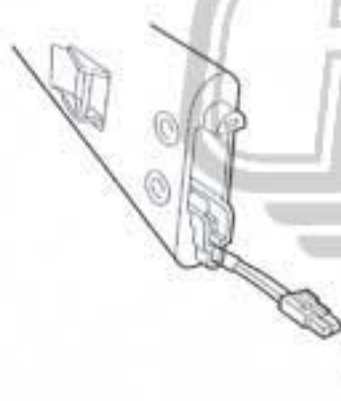


If pellet feeding is frequently in fault, remove all pellets from the magazine and spray silicone oil for 1 to 2 sec. Note that the hop-up operation may become unstable for a while after using silicone oil.

3 How to insert battery

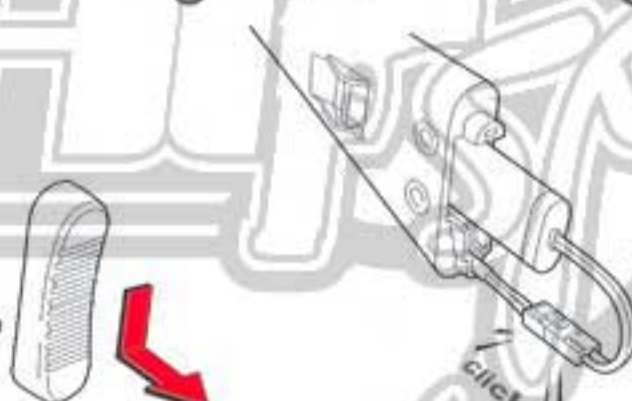
Set the battery after charging

1



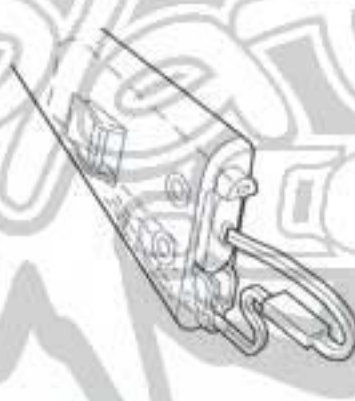
Take off the bottom plate

2



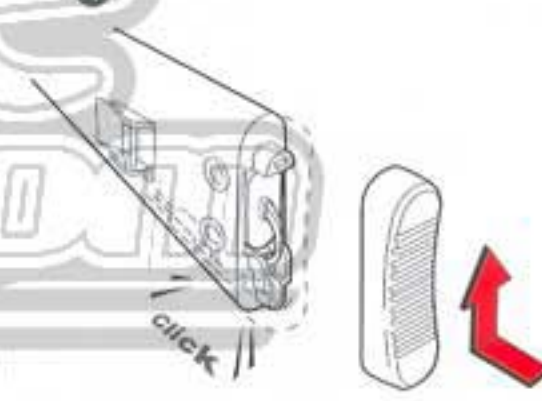
Pull out the connector

3



Insert the battery into the stock and connect the connectors

4



Close the bottom plate

- Be careful with your fingers

4 How to fire

1 Switch the selector switch to Semi or Full Auto



2 Pull the trigger



- There are possible cases that no firing occurs after pulling the trigger in the semi auto mode. In case, do not pull the trigger furiously. Fire 5 to 10 pellets in the full auto mode and then return to the semi auto mode.



- Small may be generated from the motor for a while when a new air gun is operated, this is the normal operation of the gun.



- The hop up operation may be unstable for 200 to 300 pellets after using silicone oil, this is the normal operation of the gun.

* A blank firing may occur at triggering after setting the magazine, this is the normal operation of the gun.

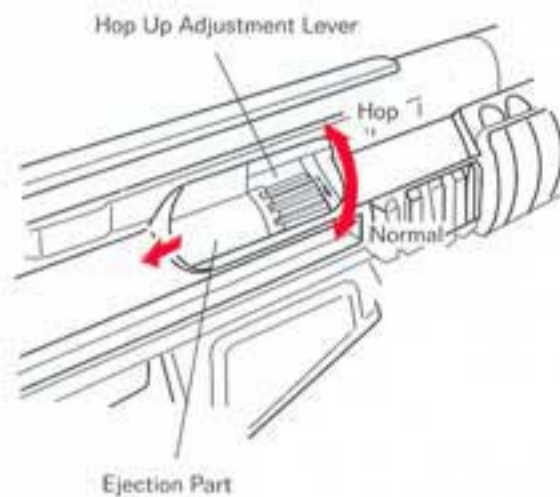
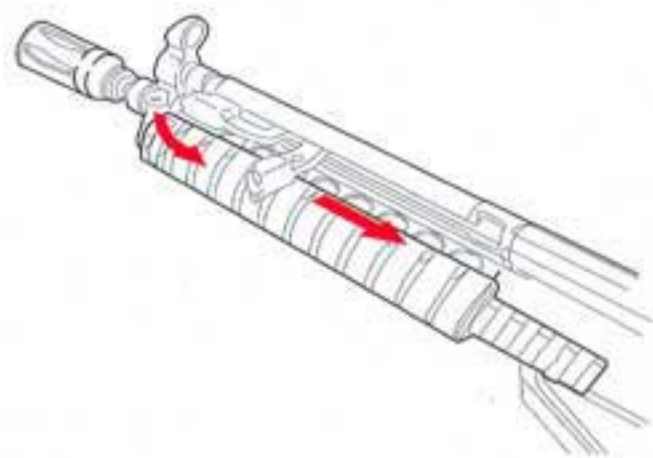
Cautions on Motor and Battery

- Change the battery if the firing cycle becomes slow.
- Give the air gun a rest for 5 to 10 minutes after firing about 500 pellets, in order to ensure high durability of the motor and battery.

When pellets are clogged

- If pellets are clogged, remove them and apply a few drops of silicone oil into chamber from the magazine entrance as shown or spray silicone oil for 0.5 to 1 sec to obtain smooth continuous firing. (Never use CRC-556 or other mineral oil)

5 How to adjust the hop up system



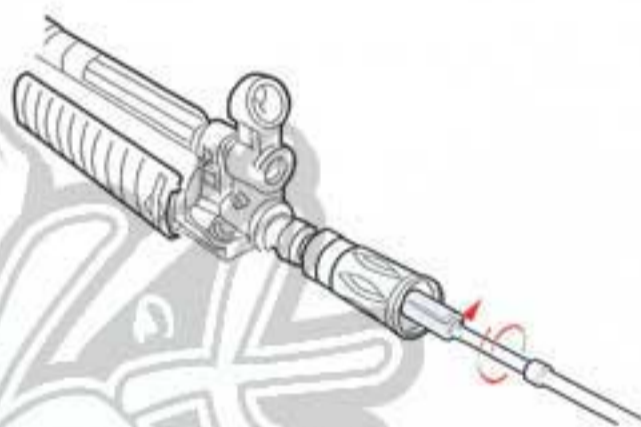
- 1 Keep pulling the cocking lever while adjusting the lever.
- 2 Turn the hop up adjustment lever gradually.
- 3 Turning excessively will adversely affect the trajectory. Stop turning the hop up adjustment lever when pellets fly horizontally.

CAUTION Over turning towards the hop up will cause pellets clogging easily. Keep pulling the trigger with clogged pellets will damage the piston and gears.

CAUTION Be careful with your fingers.

4 Maintenance

1 How to use a cleaning rod



Cut a cotton cloth to the size shown above and insert one end into the hole in the rod. (Adjust the length of cloth for smooth entry into the barrel.)

Hold the tip of the rod and insert it with turning motion.

CAUTION

CAUTION: Always begin the maintenance by returning the Hop Up adjustment lever to NORMAL.

CAUTION

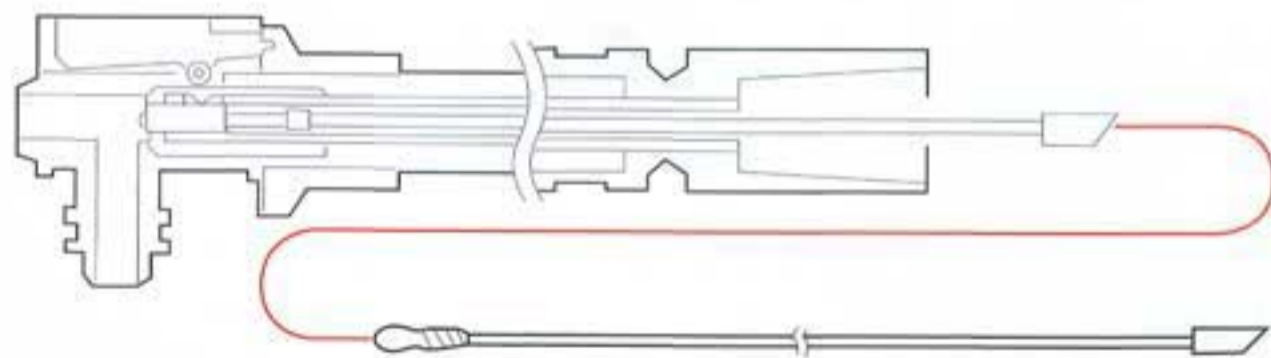
CAUTION: The chamber is a precision component. Never use any used BB pellets.

* The hop-up performance may become unstable for 60 to 70 pellets after maintenance.

CAUTION

Inserting the rod will be difficult if you hold the rod at the end.

- 1 Spray silicone oil for 0.5 to 1 sec in the pellet entrance, then fire 40 or 50 pellets to make the magazine more stable.
- 2 Clean up the oil from the chamber by using the cleaning rod (with cotton) to complete the maintenance.

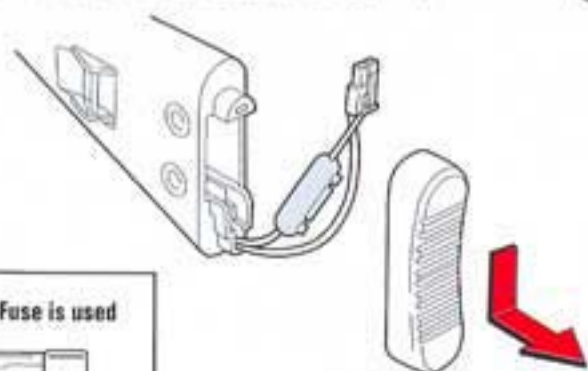


CAUTION

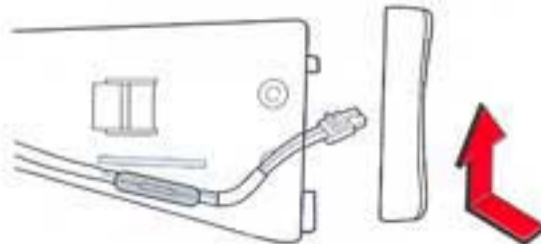
CAUTION: Always begin the maintenance by returning the Hop Up adjustment lever to Normal.

2 How to replace the fuse

- 1 Open the cover and pull out the fuse box



- 2 Change the fuse and place the fuse box back under the rib



20A Glass Tube Fuse is used



CAUTION

Never use any used BB pellets



Using new 6mm BB pellet is a must



Please don't use the BB pellet which is not completed.



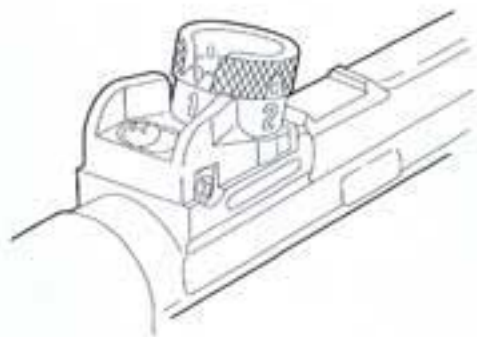
Please don't use the broken BB pellet.



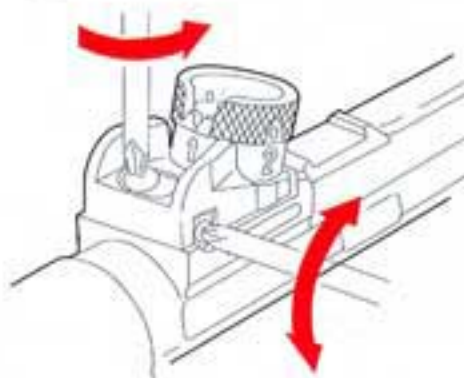
Please don't use the BB pellet which diameter is exceeded 6mm.

5 Rear Sight Adjustment

1 The sight is adjustable to four positions.



2 Loosen it out by a screwdriver.



3 Adjust to left or right.

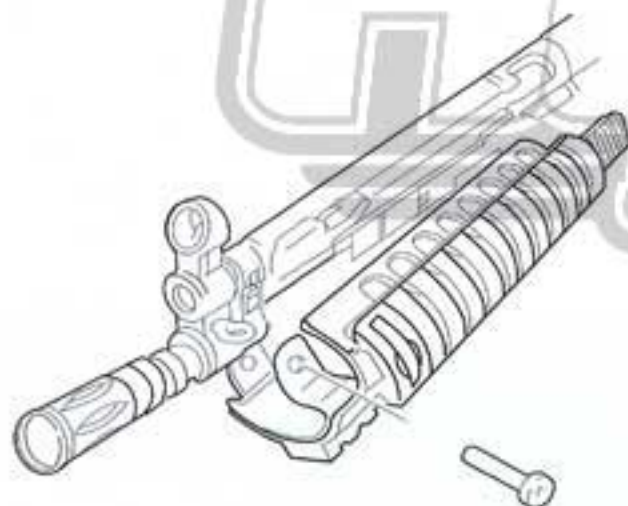


4 Adjust a way of shooting.

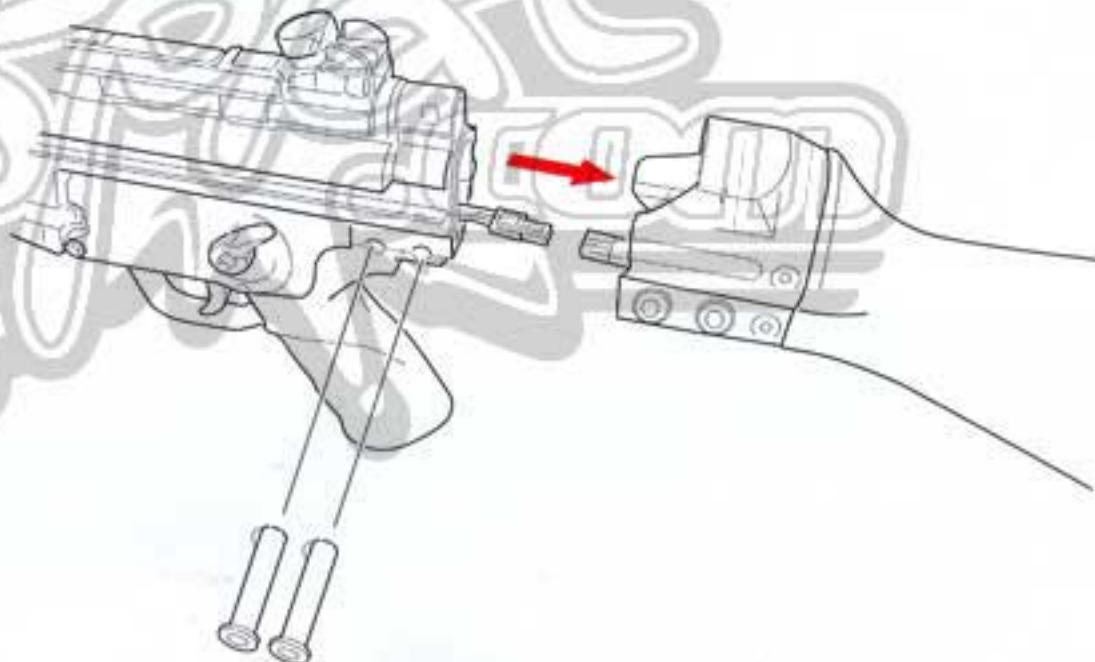


6 Proper Disassembling

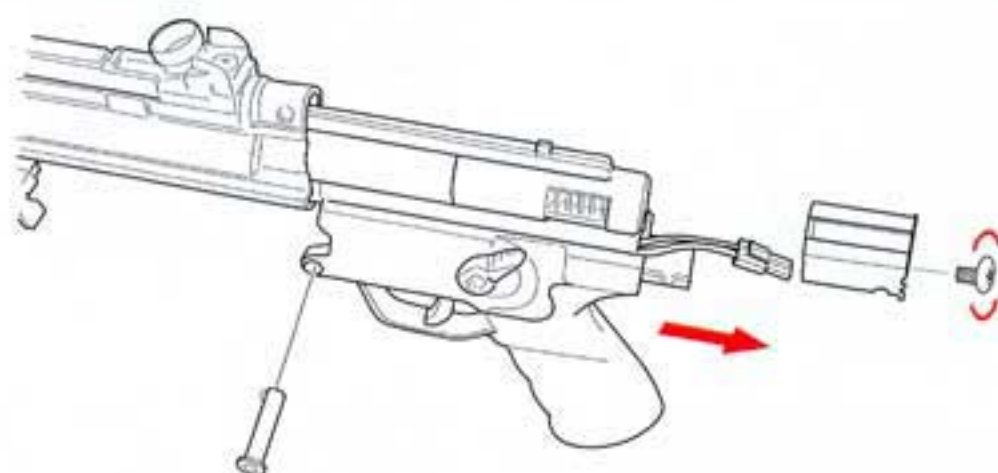
1 Take off the pin before opening the fore grip.



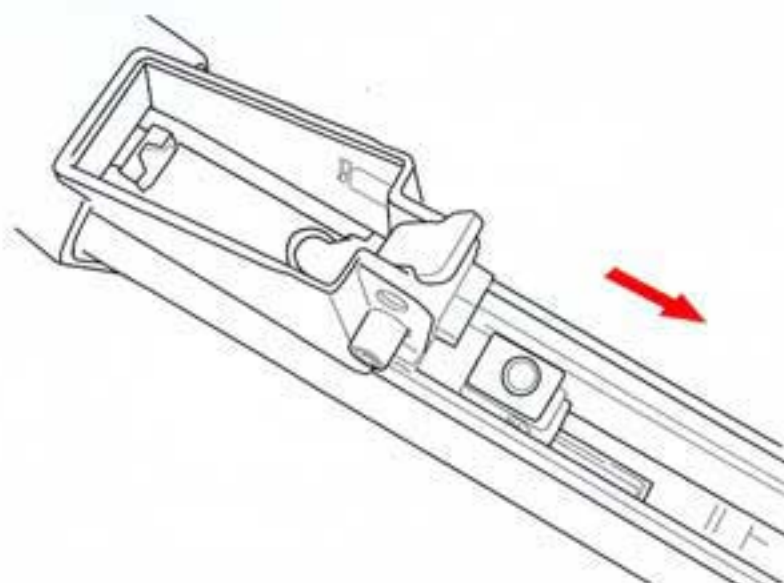
2 Take off the pin & pull out the stock. Be careful with the connector.



3 Loosen the screw on the rear of the gearbox, take off the pin, then pull out the lower receiver.



4 Pull out the barrel.



7 **WARNING**

In no event shall Classic Army or any of our partners be liable for any direct or indirect, special, incidental, or consequential damages in connection with the use of our products.

8 For complete product information, dealer locations and technical support, please visit the website of Classic Army Sole Distributors.**Italy, San Marino Republic, Città del Vaticano, Spain (includes Andorra and Gibraltar) Portugal and Switzerland**

Co. Name: VI.SE.LE Italiana s.r.l.
 Add.: Via Walter Tobagi n. 13, 20090 - Vimodrone (Milan), Italy
 Tel: (39) 02 274 09455
 Fax: (39) 02 274 09455
 Email: visele@classicarmyitalia.com
 Website: <http://www.classicarmyitalia.com/>

Denmark, Sweden, Norway & Finland, France, Germany, Austria, United Kingdom, Poland, Baltic countries, Belgium, Luxembourg, the Czech Republic and Slovakia

Co. Name: ActionSportGames A/S
 Add.: No.: Bakkegaardsvej 304, DK-3050 Humlebaek, Denmark
 Tel: (45) 89 28 18 88
 Fax: (45) 49 19 31 60
 Email: sales@softgun.dk
 Website: <http://www.actionsportgames.com/>

The United States of America

Co. Name: Spartan Imports, Inc.
 Email: info@spartanimports.com
 Website: <http://www.spartanimports.com/>

Taiwan

Co. Name: F-Link Int'l Enterprise Co. Ltd.
 Add.: No.3 Lane 62, Jianguo 1st Rd., Lingya District, Kaohsiung City 802, Taiwan, R.O.C.
 Tel: (886) 7-710 0198
 Fax: (886) 7-710 0398
 Email: kssa.kssa@msa.hinet.net
 Website: <http://www.soloman.com.tw/>

9 Exploded Diagram

