



SLR105 A1

PARATROOPER **PARA**

HANDLING CAUTIONS AND INSTRUCTION MANUAL



CA019M

WARNING

- FOR AGE 18 OR ABOVE.
- PLEASE READ THE INSTRUCTIONS CAREFULLY BEFORE USE. MISUSE OR CARELESS USE MAY CAUSE SERIOUS INJURY.
- USER SHOULD OBEY TO THE LAWS REGARDING THE USAGE AND OWNERSHIP OF AIRSOFT ELECTRIC GUNS.
- FACIAL PROTECTION IS REQUIRED.

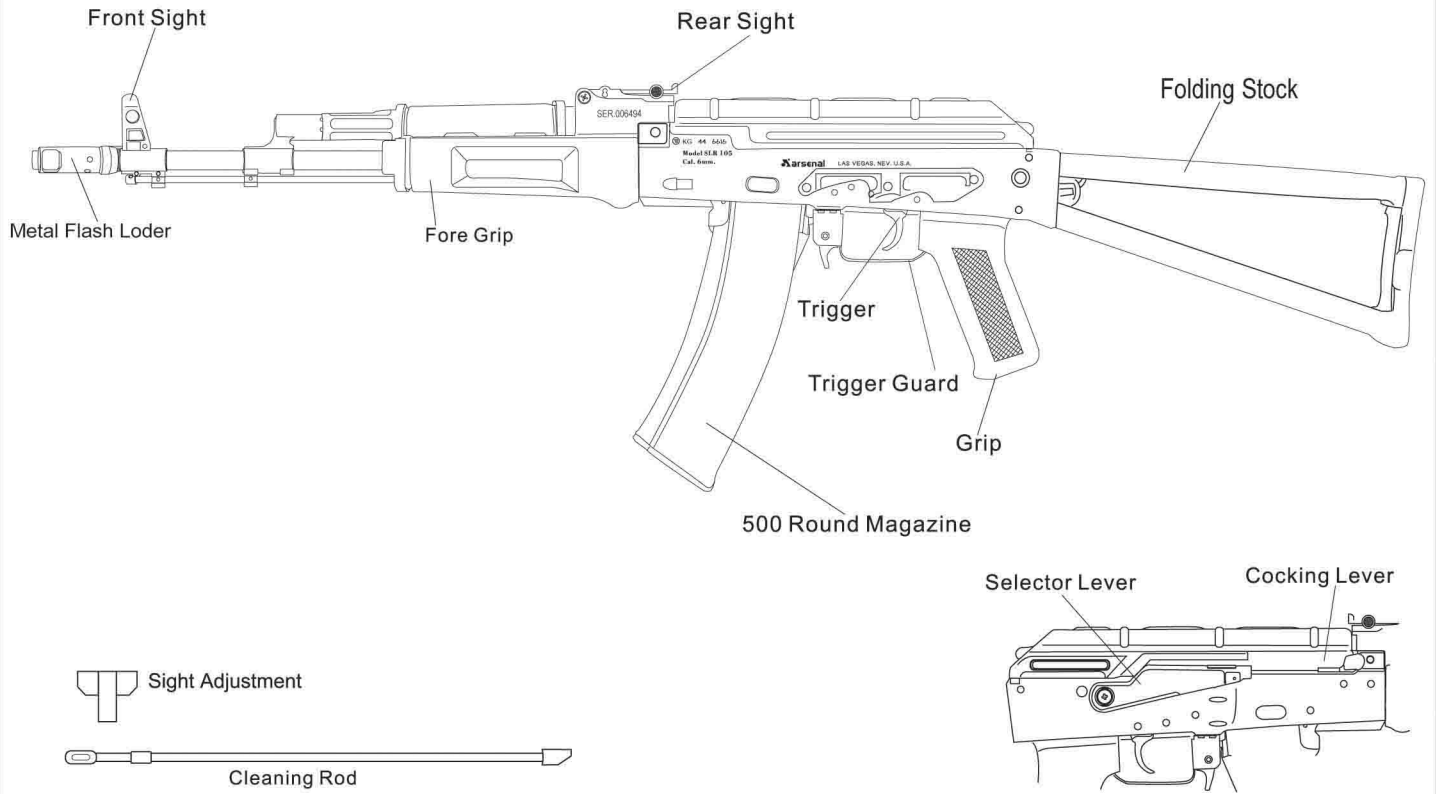
**HOP-UP
SYSTEM**

Produced By Classic Army, Hong Kong

1 Outlook / Structure

Always set the selector switch to the safe position when you are not firing or during storage

SLR105 A1 PARA



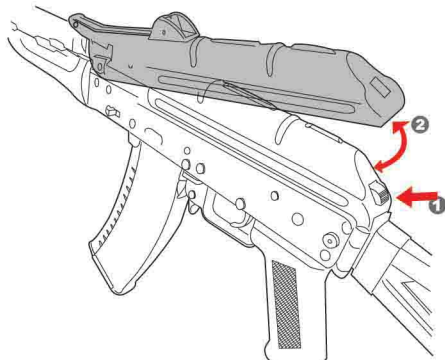
2 Specification

Data of Automatic Electric Gun

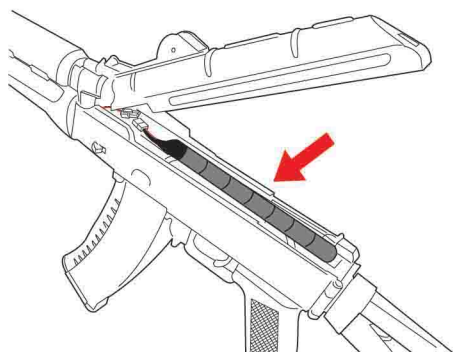
Name	SLR105 A1 PARA 
Weight	3.5 kg
Barrel Length	463 mm
Barrel Caliber	6.08 mm
Pellet Capacity	500 Rd
Pellet	6mm BB
Initial Pellet Speed	85 - 95 m/s
Battery Type	Large Type 8.4v

3 Operation

1 How to insert battery

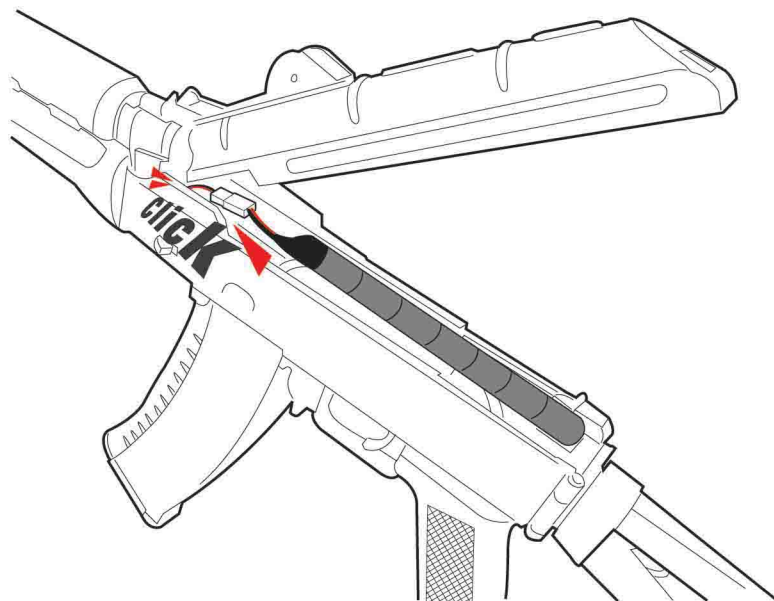


Remove the butt plate and pull out the connector. (Don't pull out the fuse box)



Insert the battery and connect the connectors .

Set the battery after charging

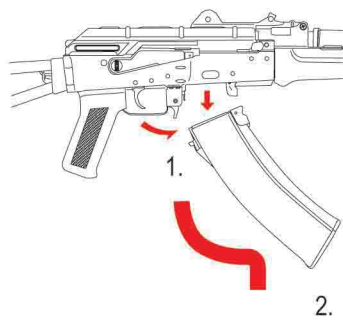


Remove the butt plate and pull out the connector. (Don't pull out the fuse box)

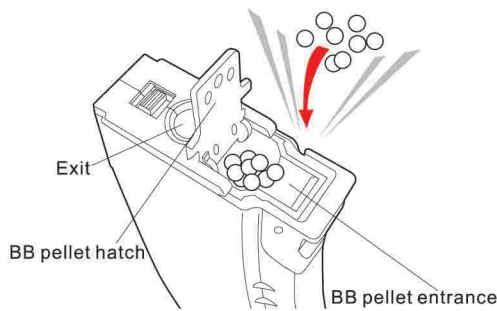
2 Magazine Attachment / Detachment Procedure



There are BB pellets remain in the magazine hip and chamber. Please pay attention as BB pellets can't be discharged



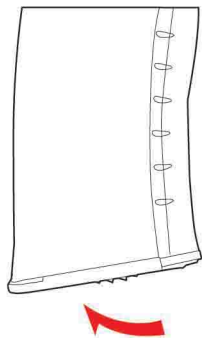
1 Press the magazine release lever to remove the magazine.



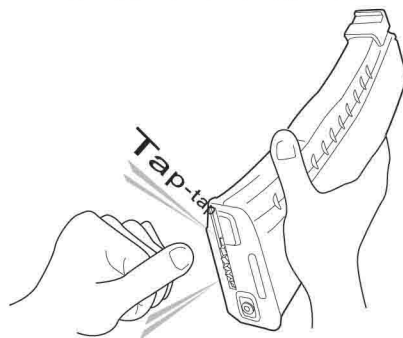
2 Open the top hatch and insert BB pellets. About 500 pellets may be loaded. (Avoid forcing BB pellets into the magazine.)



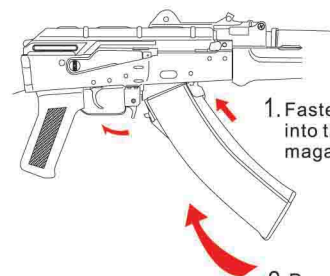
3 Close the hatch.



4 Hold the BB pellets entrance facing up and turn the gear at the bottom all the way until the click-click sounds change. (If only a small number of BB pellets are inserted, the gear merely makes blank turning.)



5 Check the BB pellets are lifted up to the exit, and then connect the magazine to the gun.

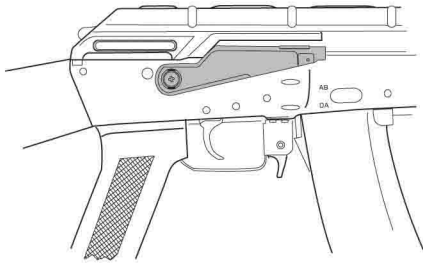


1 Fasten the magazine into the front of the magazine well.

2 Press the bottom of the magazine to lock it.

6 Always set the magazine upward. Align the groove shown by an arrow and press the rear of the magazine.

3 How to use safety lock



1 Safety Lock

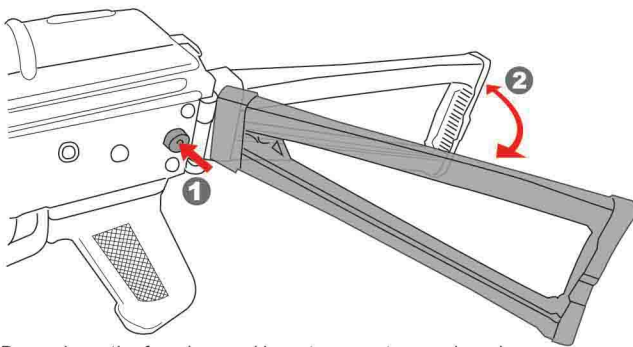


2 Full Auto

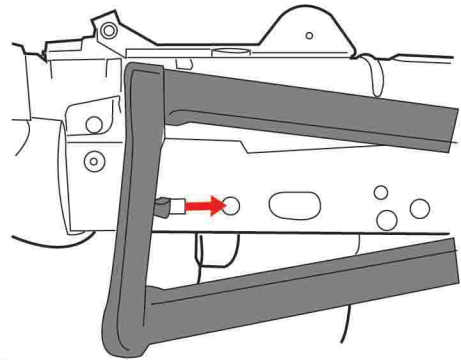


3 Semi Auto

4 How to use the Folding Stock

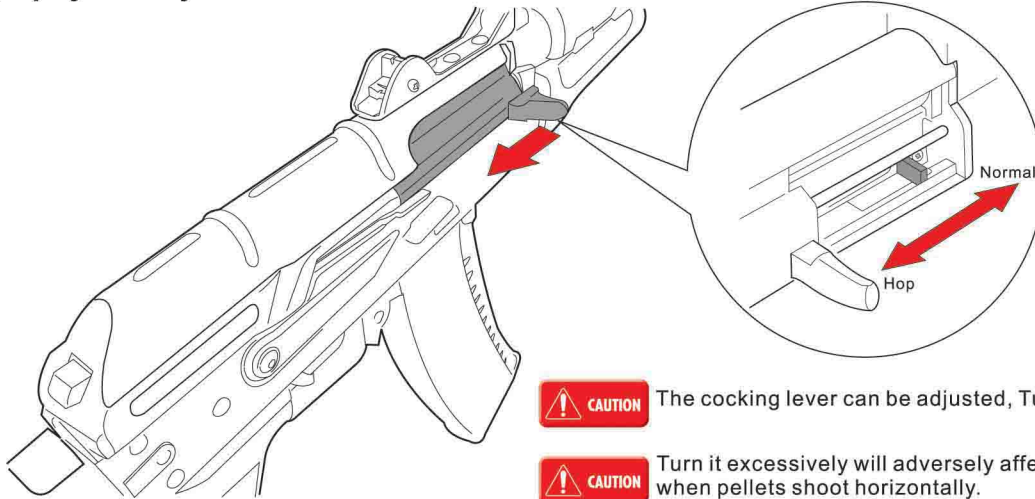


3 Press down the fuse box and insert connectors and cords between the fuse box and battery. Bend the cords in S shape.



4 When the battery and cords are set in positions, reinstall the butt plate as shown.

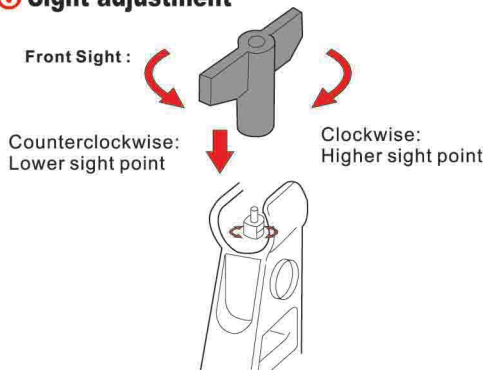
5 Hop Up System Adjustment



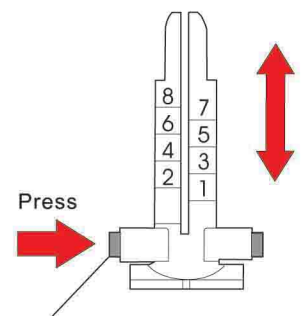
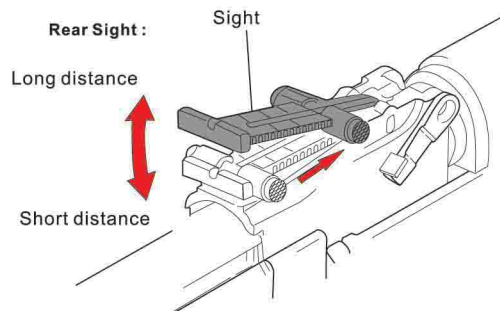
CAUTION The cocking lever can be adjusted, Turn it gradually towards the hop.

CAUTION Turn it excessively will adversely affect the trajectory. Stop turning it when pellets shoot horizontally.

6 Sight adjustment

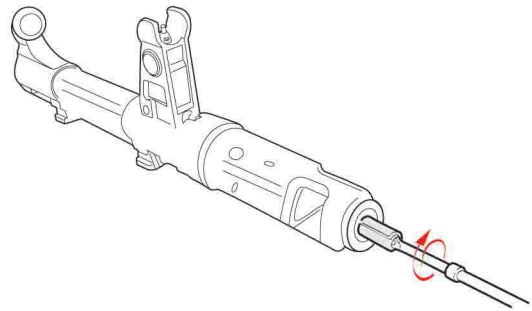
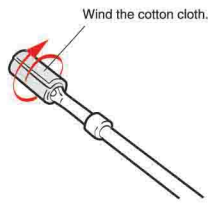
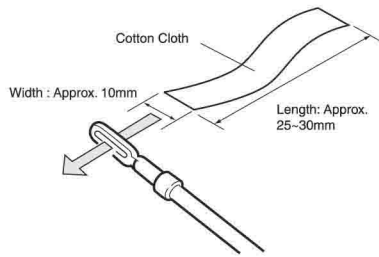


Insert the front sight adjustment tool in the front sight and turn it for adjustment.



Elevation (Up/Down) adjustment button

7 How to use a cleaning rod

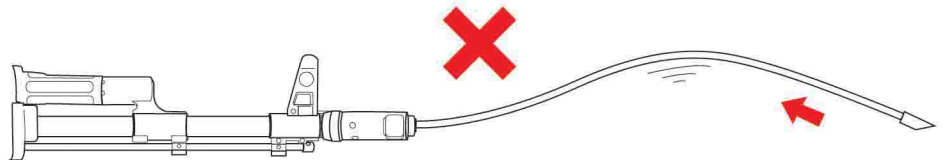


Cut a cotton cloth to the size as shown above and insert one end into the hole in the rod. (Adjust the length of cloth for smooth entry into the barrel.)

Hold the tip of the rod and insert it with turning motion.



CAUTION: Always begin the maintenance by returning the hop up adjustment lever to NORMAL.



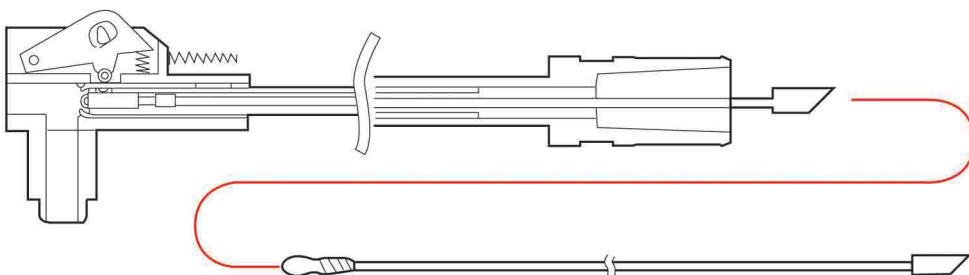
CAUTION: The chamber is a precision component. Never use any used BB pellets.

* The hop-up performance may become unstable for 60 to 70 pellets after maintenance.

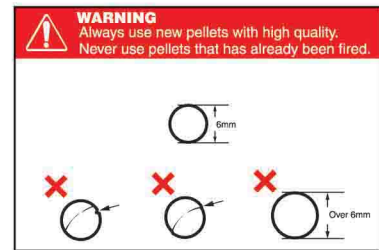


Inserting the rod will be difficult if you hold the rod at the end.

- Spray silicone oil for 0.5 to 1 sec in the pellet entrance, then fire 40 to 50 pellets to make the magazine stable.
- Clean the oil from the chamber using the cleaning rod (with cotton) to complete the maintenance.



CAUTION: Always begin the maintenance by returning the hop up adjustment lever to Normal.

4 ! WARNING


In no event shall Classic Army or any of our partners be liable for any direct or indirect, special, incidental, or consequential damages in connection with the use of our products.

5 For complete product information, dealer locations and technical support, please visit the website of Classic Army Sole Distributors .
Denmark, Sweden, Norway & Finland, France, Germany, Austria, United Kingdom, Poland, Baltic countries, Belgium, Luxembourg, the Czech Republic and Slovakia

Co. Name: ActionSportGames A/S
 Add.: Bakkegaardsvej 304, DK-3050 Humlebaek, Denmark
 Tel: (45) 89 28 18 88
 Fax: (45) 49 19 31 60
 Email: sales@actionsportgames.com
 Website: <http://www.actionsportgames.com/>

Italy, San Marino Republic, Città del Vaticano, Spain (includes Andorra and Gibraltar) Portugal and Switzerland

Co. Name: VI.SE.LE Italiana S.r.l.
 Add.: Via Walter Tobagi n.13, 20090 - Vimodrone (Milan), Italy
 Tel: (39) 02 274 09455
 Fax: (39) 02 274 09455
 Email: visele@classicarmyitalia.com
 Website: <http://www.classicarmyitalia.com/>

The United States of America

Co. Name: Spartan Imports, Inc.
 Add.: 213 Lawrence Avenue, S. San Francisco, California, USA 94080
 Tel: (1)650 589 5501
 Fax: (1) 650 589 5552
 Email: info@spartanimports.com
 Website: <http://www.spartanimports.com/>

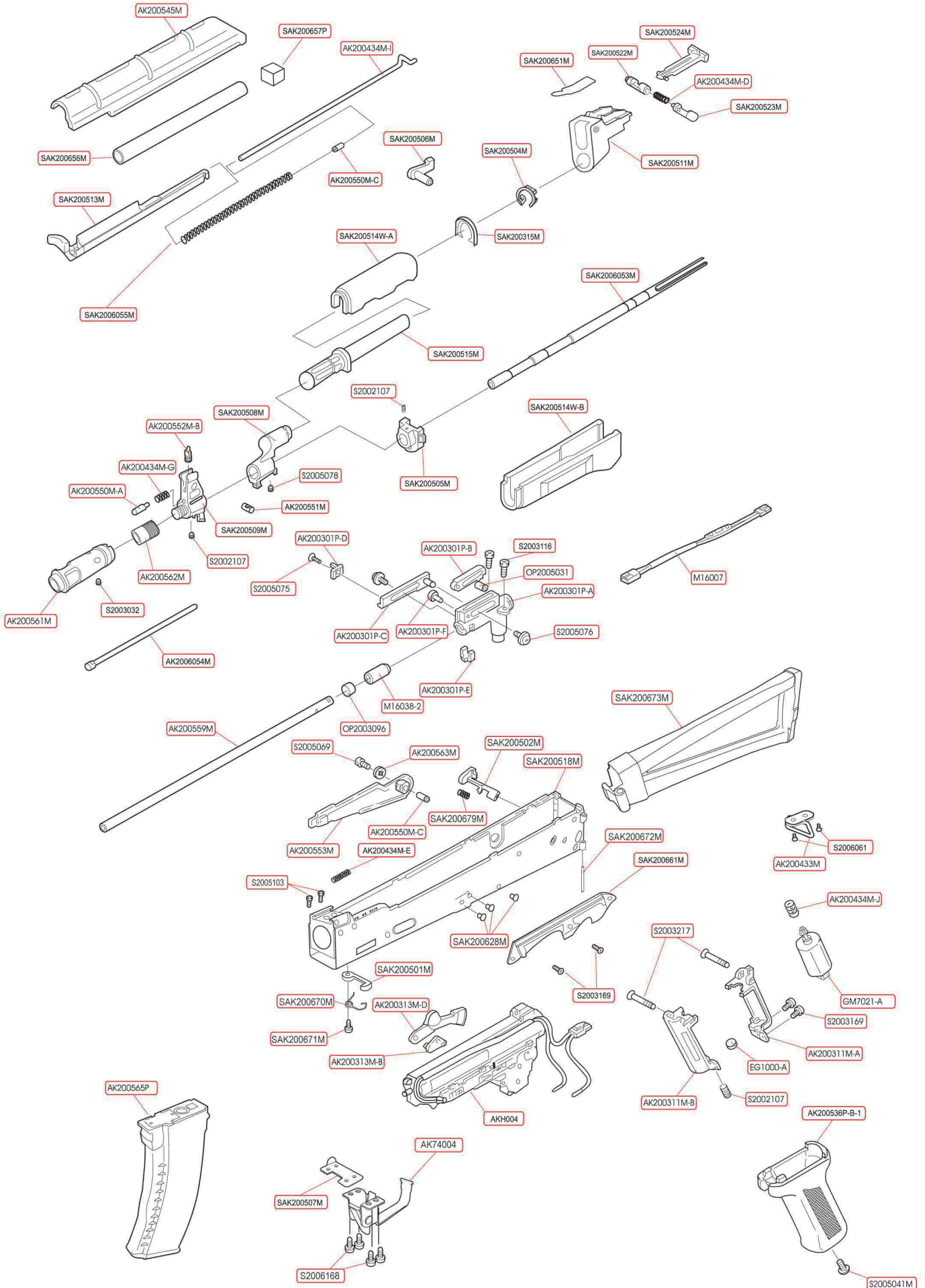
Taiwan

Co. Name: F-Link Int'l Enterprise Co. Ltd.
 Add.: 3 Lane 62, Jianguo 1st Rd., Lingya District, Kaohsiung City 802, Taiwan, R.O.C.
 Tel : (886) 7-710 0198
 Fax : (886) 7-710 0398
 Email: kssa.kssa@msa.hinet.net
 Website: <http://www.soloman.com.tw/>

Russian Federation and Belorussia

Co. Name: Uragan XX Limited.
 Add.: Moscow Russia, Kashirskoe Shosse 24
 Tel : (7) 495 323 5366
 Fax : (7) 495 323 5366
 Email: strike@classicarmy.ru
 Website: <http://www.classicarmy.ru/>

6 Exploded Diagram





Website: www.classicarmy.com
E-mail: info@classicarmy.com

PDF por Sniper
Matadores Airsoft Club
www.matadoresairsoft.com



ARSENAL and the ARSENAL logo are registered trademarks of ARSENAL inc. U.S.A., Used under exclusive worldwide license for Air Soft Guns by ASG A/S, Denmark, www.actionsportgames.com