

# AIRSOFT GUN INSTRUCTION MANUAL 使用說明書



AIRSOFT ELECTRIC SPRING GUN  
AUTOMATIC FIRING  
電動汽彈槍  
自動射擊

Users restricted to  
**18** years of age or older  
使用年齡對象**18**歲以上



# CM.023

**在操作之前必须熟读这些说明书**

**Always read through this manual before operation.**

 <b>警告 WARNING</b>	
	18岁以上年龄才能使用 Only for 18 years of age or older
	注意受伤 Injury caution
	注意熟读警告告示手册 Careful reading of Handling cautions and instruction manual
	18以上年龄才能利用这支汽枪比赛使用 Operation of this air gun for competition use is restricted to users of 18 years of age or older.
	因为BB弹能达25-40米范围, 不小心射击可能导致眼睛受伤或其它伤害。 Since plastic BB bullets reach 25 to 40 meters, careless shooting may cause eye damage or other injuries.
	在操作之前必须细心读熟警告手册和程序手册操作汽枪时必须以良好警告程序 Always read through this HANDLING CAUTION AND INSTRUCTION MANUAL carefully before operation. Operate the air gun with full recognition of warnings and cautions.

Please read the instructions carefully before use.  
(Please read the Notice in details.)  
Please retain the instructions for future reference  
Don't use it improperly or refit the air gun.

使用前請先完整閱讀說明書  
(注意部份請詳細閱讀)  
保存好此說明書以供日後使用參照  
切勿錯誤使用或改裝汽彈槍

**WARNING**

**警告**



**Certified shooting safety goggles**  
合格的發射防護眼鏡。  
**Wear protective eye wear & face mask when using air soft airguns.**  
當使用汽彈槍時，請戴上防彈眼鏡和面具。



**Read and understand the operating and safety manual before using your air soft airguns.**  
在使用汽彈槍前，請先閱讀和理解操作安全手冊。



**Do not look directly into the gun barrel to avoid accidental discharge of BB.**  
不要直接地看槍管，避免BB彈意外發射。



**You may be punished if you damage public or personal properties or injure a person or animal even if you are shooting for a practical joke. Always observe manners and enjoy healthy sport shooting.**



**Never aim or shoot a person or animal as the target. Always attach the protective plug to the muzzle, except when you are ready to shoot a target.**

不可把人或動物當作目標瞄準或射擊。始終系上槍口的防護塞，除非你準備去射擊一個明確的目標。



**This air gun is manufactured under consideration of appropriate performance and operability. Disassembling or modifying the gun may generate danger or adversely affect the performance. So, avoid disassembling or modifying the air gun.**  
該氣槍是根據適當的性能和操作性而製造的。拆除或改裝氣槍可能產生危險或者違反操作。因此要避免拆除或改裝該氣槍。

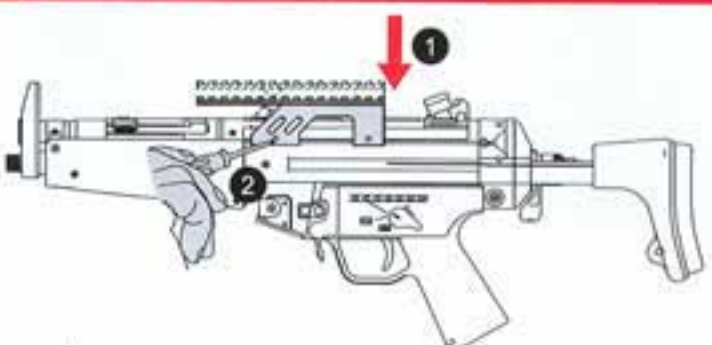
**THE NAME OF THE PARTS 各部件名稱**

● 4.8V Ni-H battery 4.8V鎳氫電池		×1	● Silencer 消聲器		×1
● Special charger 專用充電器		×1	● Hinged semi automatic magazine 摺帶式半自動彈匣		×1
● Loader 裝彈器		×1	● Filled magazine 充填式彈匣		×1
● Unloader 清彈器		×1	● Sight housing 瞄準器鏡架		×1
● Bulletproof goggles 防彈眼鏡		×1	● Flash hider 消焰器		×1
● Sling 背帶		×1			
● Electric crosshair gun sight 電子瞄準器		×1			

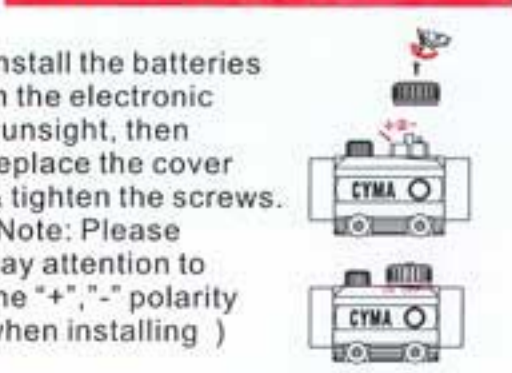
Gunstock 槍托	Flex stick 伸縮杆	Battery case cover 電池盒蓋	Front sight 前瞄準器	Cocking lever 壓簧杆	Rear target sight 后靶子瞄準器
Stock release lever 托柄解鎖手柄	Grip 把手	Magazine catch lever 彈匣鎖製杆	Battery cover button 電池蓋扣位器	Trigger 扳機	Selector lever (switch) 選擇器控制杆 (開關)

**HOW TO INSTALL THE SIGHT HOUSING 安裝瞄準器架**



Insert the sight housing from above the gun until it snaps, and then fasten it with a screwdriver.  
把瞄準器架從主槍上方，向下扣下再用螺絲刀擰緊螺絲。

**ELECTRIC CROSSHAIR GUN SIGHT 電子瞄準器**



Install the batteries in the electronic gunsight, then replace the cover & tighten the screws. (Note: Please pay attention to the "+", "-" polarity when installing)  
為電子瞄準器安裝電池，然後蓋上蓋用螺絲擰緊。(注意：安裝時請確認“正”、“負”極)

**ELECTRIC CROSSHAIR GUN SIGHT INSTALLATION 安裝電子瞄準鏡**



Assemble the electric gun sight onto the fishbone guide rail and screw it down.  
將電子瞄準鏡裝到魚骨導軌上，用擰緊螺絲。

**SILENCER OR FLASH HIDER INSTALLATION 安裝消聲器或消焰器**



While installing the muffler, screw it down clockwise with hand.  
安裝消聲器時，用手以順時鐘方向擰緊。

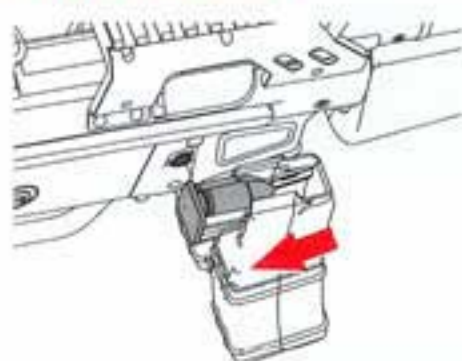


While installing the flash hider, screw it down clockwise with hand.  
安裝消焰器時，用手以順時鐘方向擰緊。

## HINGED SEMI AUTOMATIC WAY OF LOADING THE MAGAZINE WITH BULLETS 鏈帶式半自動彈匣裝彈方式



Make sure to set the magazine upwards and connect it firmly until a click sound is heard.  
確保彈匣朝上并將其牢固地連接起來直到聽到喀嚓一聲。



Push back the cover of the emulational magazine to open the magazine.  
把仿真彈匣蓋向后推，打開彈匣蓋。

**CAUTION: 注意**  
Requests of BB pellets: BB彈要求:

Standard 標准	Misplace 错位	Crude surface 表面 粗糙	Out of circularity 失圓



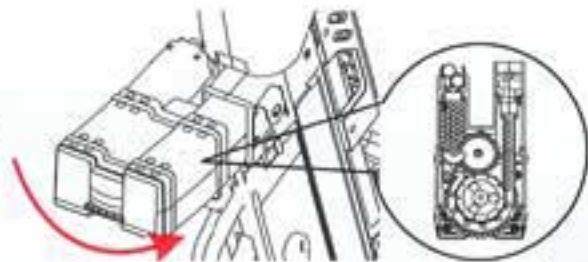
Load it with 6mm BB bullets until it's full. (It can be loaded with 110 rounds.)

裝入6mm BB彈，直到裝滿(可裝彈110發)

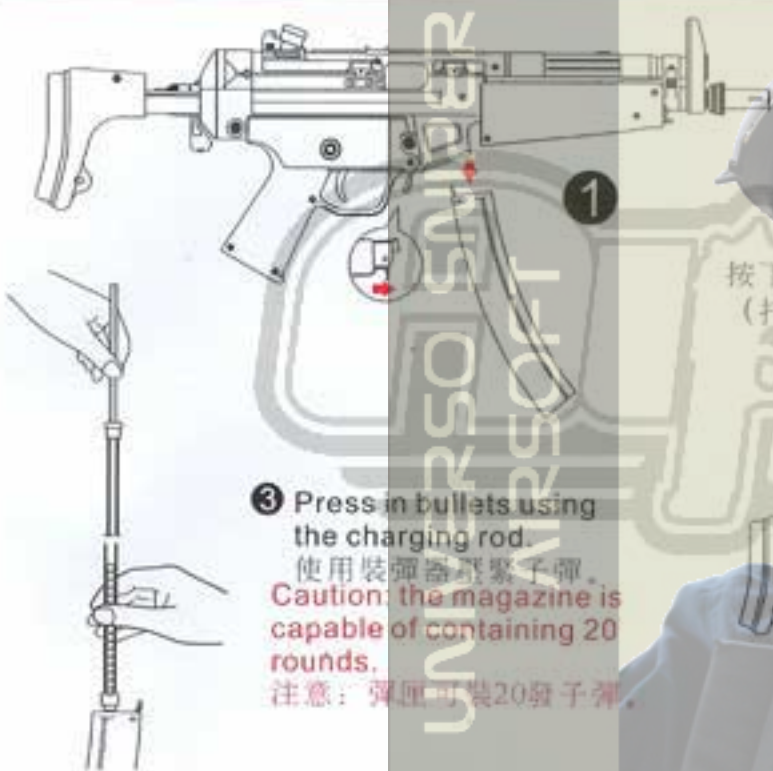
Move the gear with hand clockwise until it is fully wound, and the bullets will be sent up automatically. (It can send about 110 rounds automatically)

以順時針方向拔動牙輪，直到上滿鐘，子彈就會自動往上送。(能自動送彈約110發)

Replace the magazine cover.  
蓋上彈匣蓋。



## FILLED WAY OF LOADING THE MAGAZINE WITH BULLETS 充填式彈匣裝彈方法



Press the magazine release to remove the magazine. (support the magazine as it may drop.)

按下彈匣脫扣器以拆下彈匣。(托住彈匣以免它掉下來。)

② Insert 6mm BB bullets supplied by into the charger. (42 bullets can be inserted.)

將6mm Bb子彈裝入裝彈機。(可裝入42發子彈)

③ Press in bullets using the charging rod. Use caution: the magazine is capable of containing 20 rounds. (Caution: the magazine is capable of containing 20 rounds.)

注意：彈匣可裝20發子彈。

Make sure to set the magazine upwards and connect it firmly until a click sound is heard. (確保彈匣朝上并將其牢固地連接起來直到聽到喀嚓一聲。)

## CHARGE THE POWERFUL BATTERY 對動力電池充電



Connect: Press the battery plug to insert into the output socket of the charger till hear "crack".

連接：按住電池插頭插入到充電器的輸出插口中直到發出“咔嚓”一聲。

- Discharge the battery completely before charging it for the first time and the charging time is 12 hours.
- Battery charging time is about 7-8 hours, do not extra to avoid the over-charge.
- The temperature can't over 45° during charging or will damage to the battery.
- Rechargeable batteries air not to be removed from the toy before being recharged (if remove).
- Batteries are to be inserted with correct polarity.
- Exhausted batteries are to be removed from the toy.
- The supply terminals are not to be short circuited.

- 在第一次充電前，先將電池余電放淨，充電時間為12小時。
- 電池充電需要7-8個小時左右，不要超過這個時間，以免過度充電。
- 在充電過程中請注意電池溫度不得超過45度，否則將損壞電池。
- 在再充電之前，要確信電池沒有與充電器分開。
- 須按正確的極性指示安裝。
- 不能使用的電池必須立即丟棄。
- 要確信供電時沒有被短路。



## BATTERY INSTALLATION 安裝電池



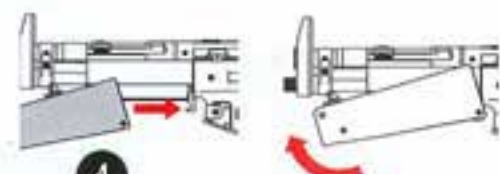
1 Push back the battery cover button.  
將電池蓋扣位器向后推。



2 Screw off the battery cover anticlockwise and remove it.  
將電池蓋以逆時針方向旋下取出。



3 Connect the battery plug with the plughole from the gun.  
將電池插頭與槍身插座連



4 Then insert the battery cover and screw it down.  
再把電池蓋插上旋緊。

## SELECTOR LEVER AND SAFETY SETTING 選擇控制杆和安全裝置



### WARNING 警告:

To prevent malfunction of the switch do not change the selector lever from semi to full auto while pulling the trigger.

為防止開關發生故障，在按扳機時，不要將選擇控制杆從半自動改到全自動。

### CAUTION:

Set the selector lever correctly in position; otherwise, malfunction may occur.

注意：將選擇控制杆設置在正確的位置，否則將會發生故障。

Safety setting (the trigger cannot be pulled.)

安全裝置（不能拉下扳機）

When you are not firing the gun or during storage always set the selector to the safe position.

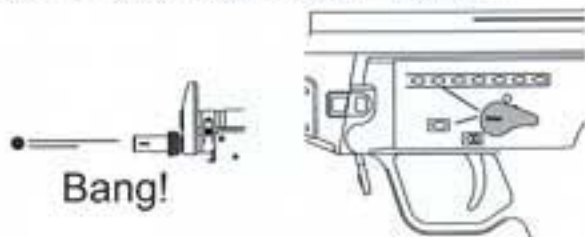
當你不射擊或在裝子彈時，請將選擇器設置在安全位置。



Semi automatic 半自動

The gun will fire one shot each time the trigger is pulled.

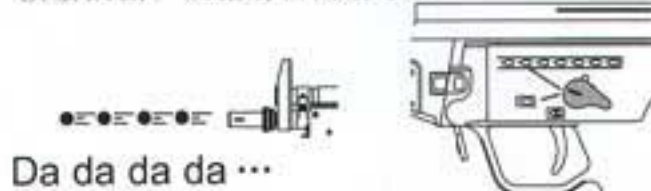
每按一次扳機，氣槍將發射一發子彈。



Fully automatic (automatic firing)  
全自動（自動射擊）

The gun will fire automatically while the trigger remains pulled.

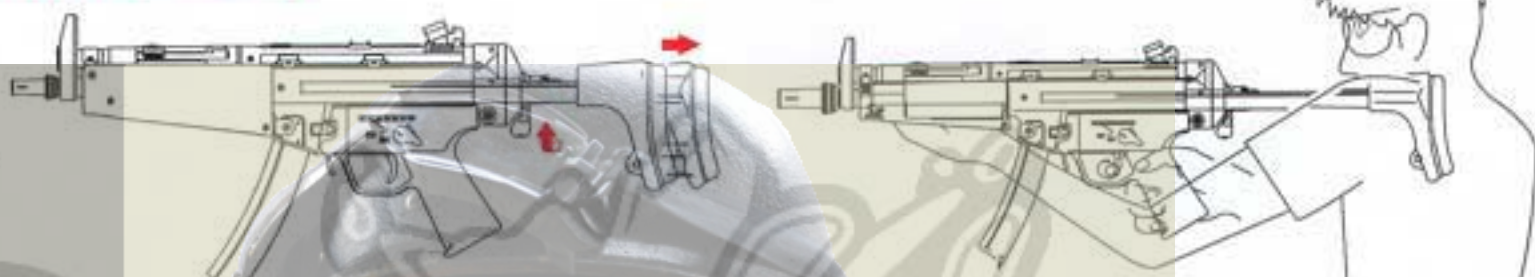
按緊扳機，氣槍將自動射擊。



## BUTT MOVING DEVICE 槍托活動控制裝置

Turn the butt unlocking-knob leftward lightly, and pull out the butt backward.

把槍托解鎖控制杆往左方向輕按，再把槍托向后拉出。



## COCKING LEVER 壓簧杆

The spring presser rod can be pushed backward, which makes the gun feels like a real one.

壓簧杆可以向後推動，增加本槍的仿真感。

## SLING INSTALLATION 安裝背帶

Snap down the front swivel of the sling, and then fasten the other one.

將背帶扣前吊環扣上，另一端扣在後吊環扣上。



## IF THE BULLET IS BLOCKED 如果子彈被卡住



removing clogged bullets

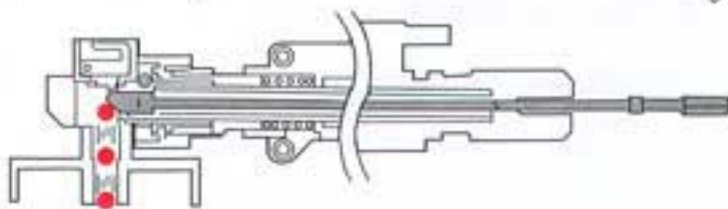
卸下塞滿的子彈匣

Return the hop up dial to the Normal position and insert the cleaning rod from the lead edge of the barrel.

將上旋調節控制盤轉回到正常位置，並將清彈器從槍管的子彈邊緣插入。

Caution: since clogging bullets may jump out at a high speed. Always wear safety goggles and confirm safety.

注意：塞滿的子彈可能會突然快速地蹦出來，因此一定要戴護目鏡以確保安全。



be careful so that the angled part of the cleaning rod faces down, and remove clogged bullets.  
注意清彈器的尖角部分必須朝下，再取出塞滿的子彈。

## ADJUSTMENT PROCEDURE 調節步驟

Too much hop-up (return the lever towards NORMAL)

過度上旋（將控制杆拔回正常位置）

Best position  
最佳位置

Not enough hop-up (return the lever towards NORMAL)

上旋不到位（將控制杆拔回正常位置）



Turning excessively adversely affects the trajectory. So, stop turning the hop adjustment lever when bullets fly horizontally.

向相反方向過度旋轉會影響彈道。因此，當子彈水平射出時，停止轉動上旋調節杆。

