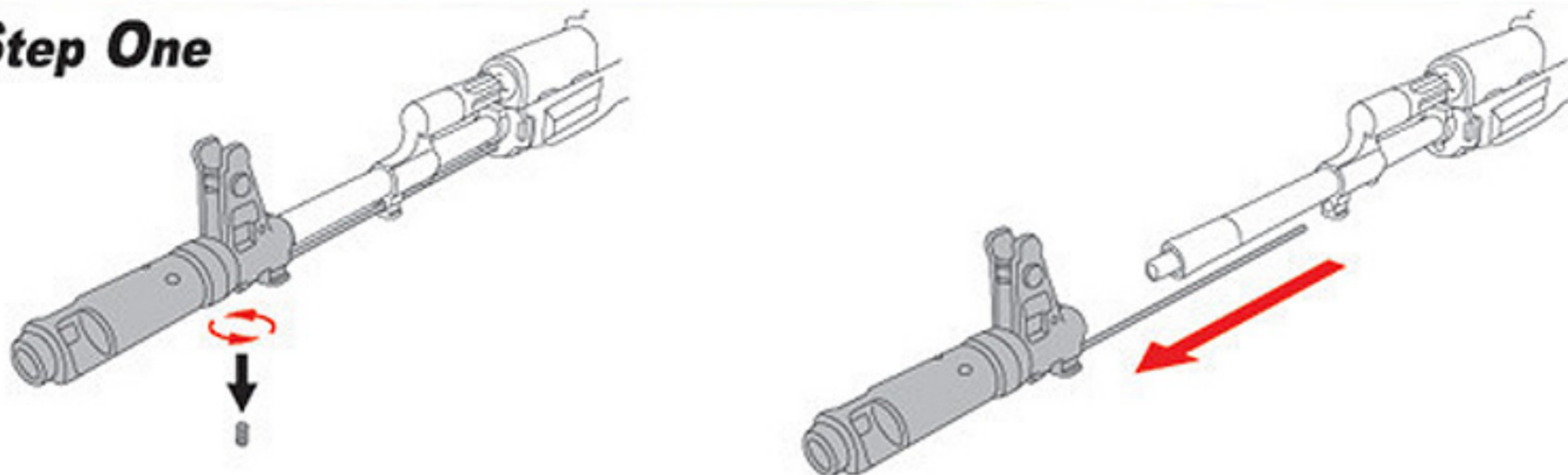




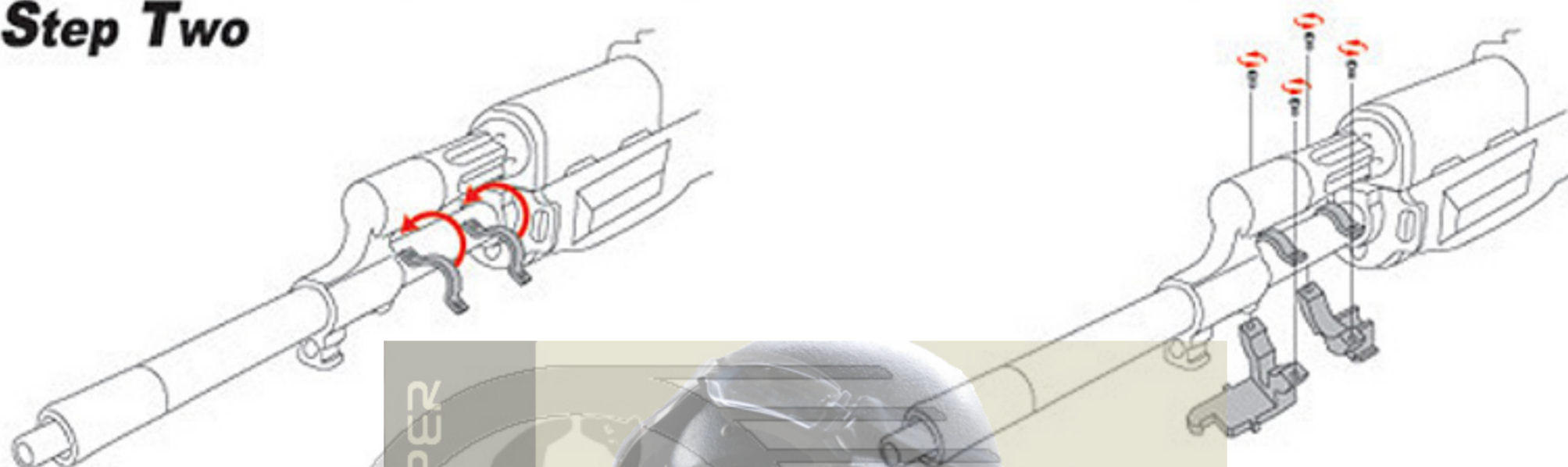
Installation Manual for AK Grenade Launcher

► Step One



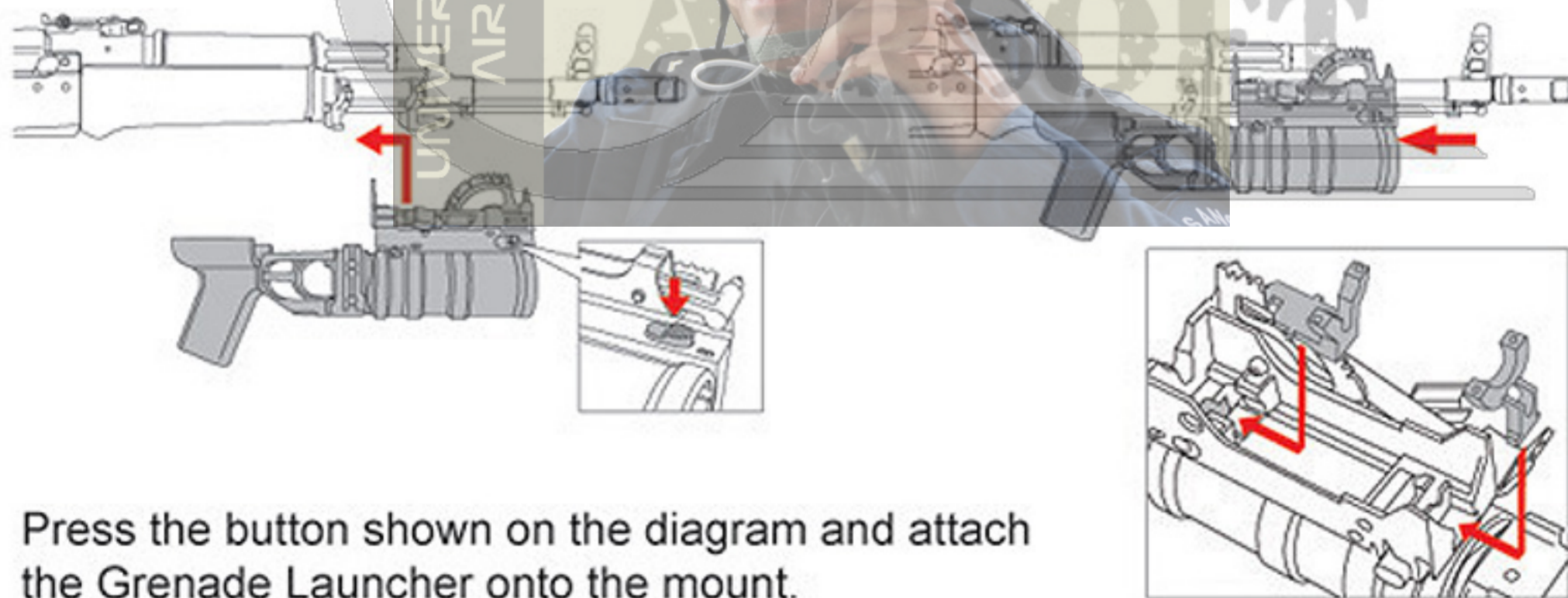
Remove the front sight by releasing the hex screw under neath.

► Step Two



Attach the launcher mount(s) onto the outer barrel as shown.

► Step Three



Press the button shown on the diagram and attach the Grenade Launcher onto the mount.

► Step Four



Ready to Fire !!

A170M

Made in Hong Kong
www.classicarmy.com



Installation Manual for AK Grenade Launcher

Exploded Diagram

