



**HANDLING CAUTIONS AND INSTRUCTION MANUAL**

**AIRSOFT GAS BLOWBACK PISTOL**

**CA25**

**METAL CASTING**



**WARNING**

- FOR AGE 18 OR ABOVE.
- PLEASE READ THE INSTRUCTIONS CAREFULLY BEFORE USE. MISUSE OR CARELESS USE MAY CAUSE SERIOUS INJURY.
- USER SHOULD OBEY TO THE LAWS REGARDING THE USAGE AND OWNERSHIP OF AIRSOFT GAS BLOWBACK PISTOL.
- FACIAL PROTECTION IS REQUIRED.

**HOP-UP  
SYSTEM**

**Produced By Classic Army, Hong Kong**

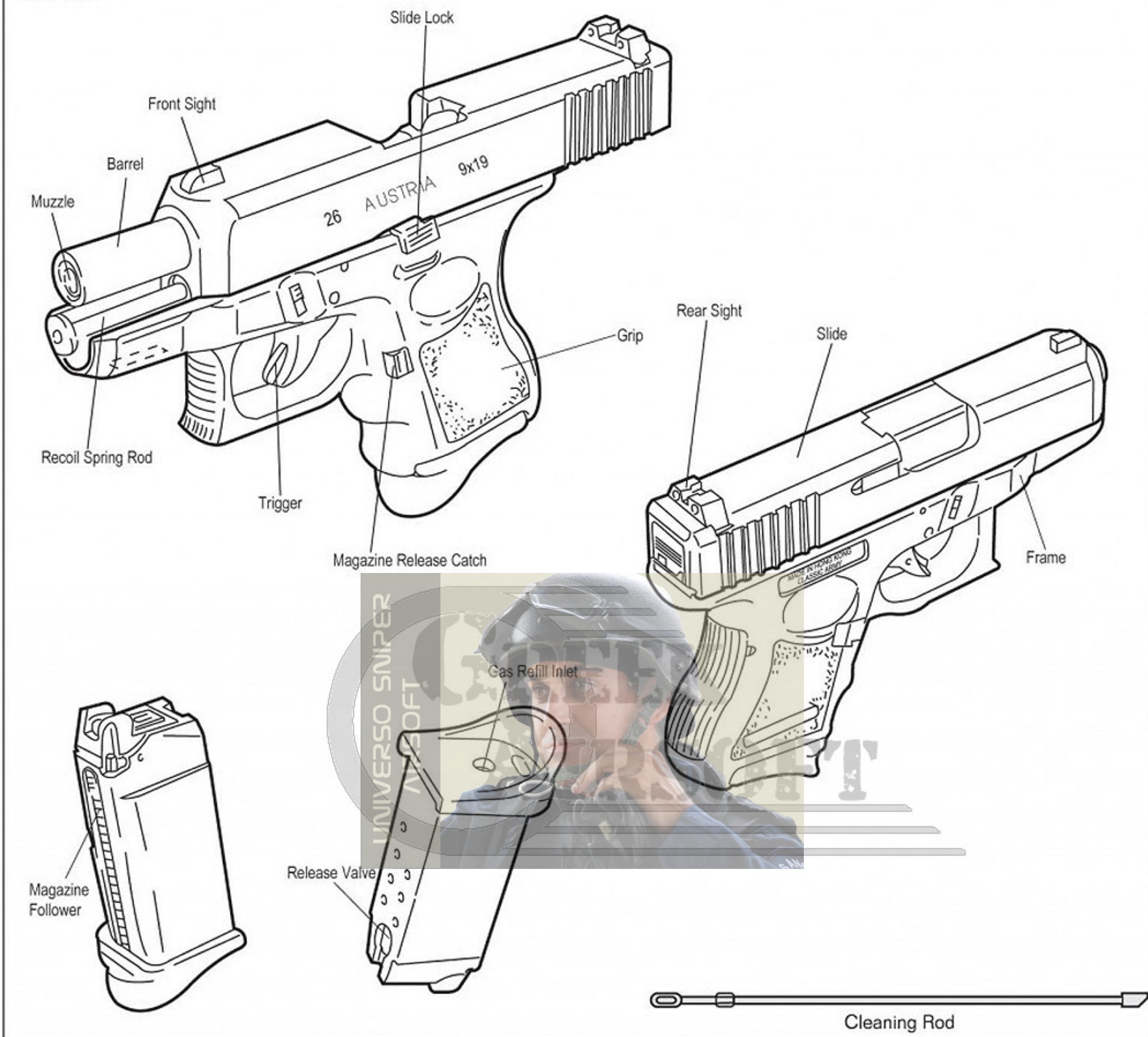
**CA033M**



## 1 Outlook/Structure


Always set the safety switch to the safe position when you are not firing or during

### CA 26



## 2 Specification

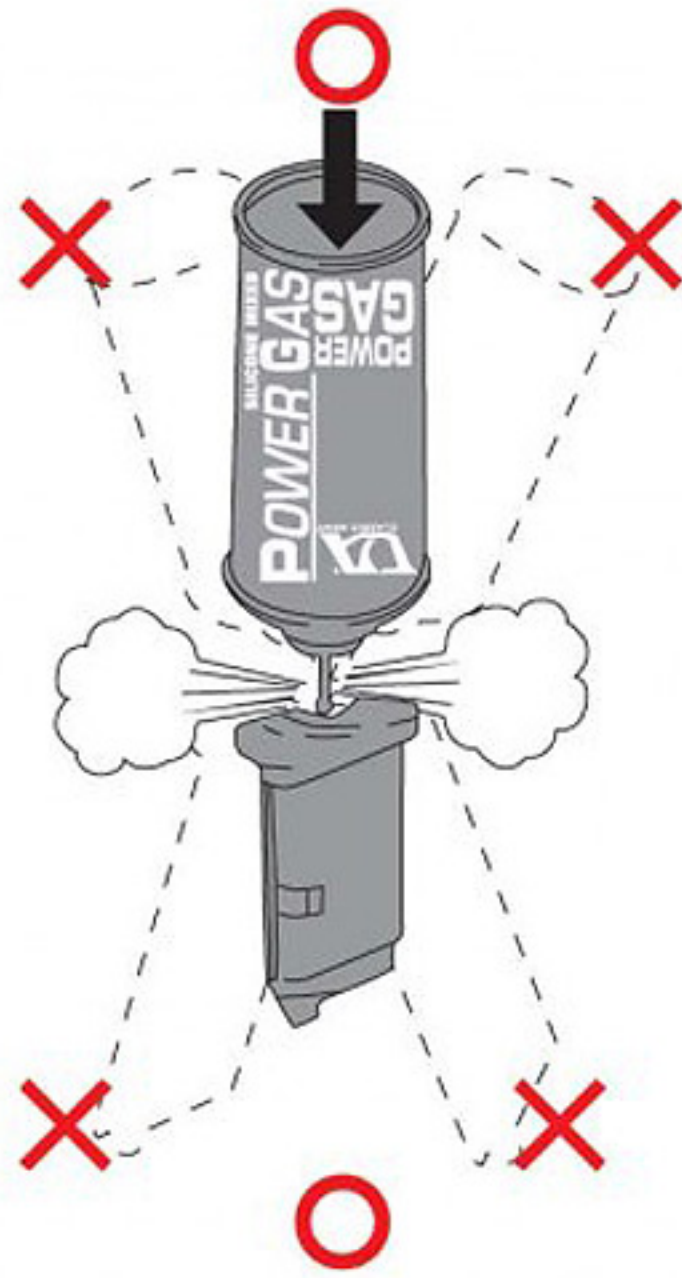
### Data of Gas Blowback Pistol

Name	<b>CA 26</b>	
Weight	0.6kg	
Barrel Length	73mm	
Barrel Caliber	6.08mm	
Pellet Capacity	15+1	
Pellet	6mm BB	

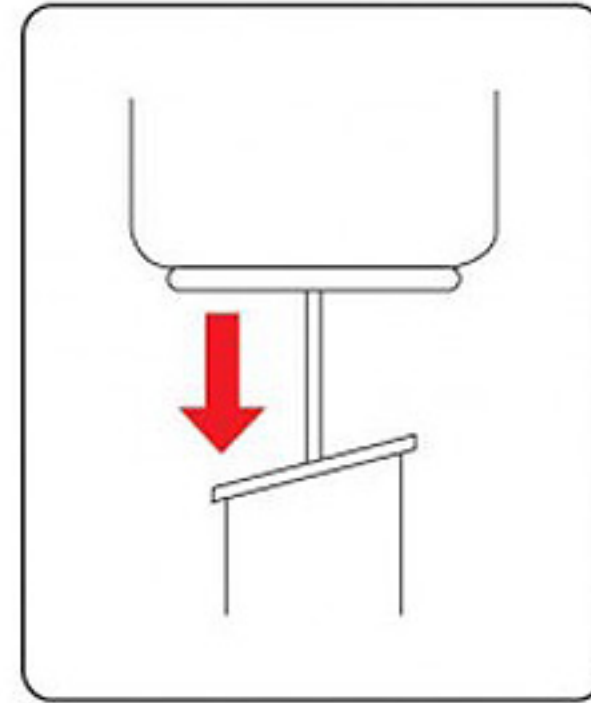


### 3 Operation

#### 1 Gas Injection



To refill the gas with the gas container in vertical position.



Be careful! The releasing gas is harmful to your eyes and face. Avoid facing the magazine directly when you try to release the gas by pressing the release valve.



#### 2 Loading BB Pellet

High precision BB pellets is required for the operation of this magazine. Avoid invasion by dust and dirt into the magazine to prevent malfunctions.

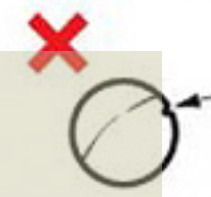
Load BB pellet in the magazine, 6 mm (15 rounds only). Please follow the illustration diagrams to load the BB pellets.



Never use any used BB pellets



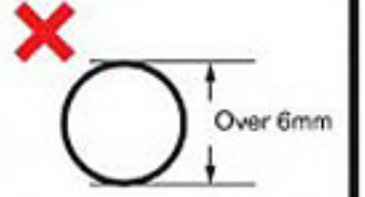
Using new 6mm BB pellet is a must



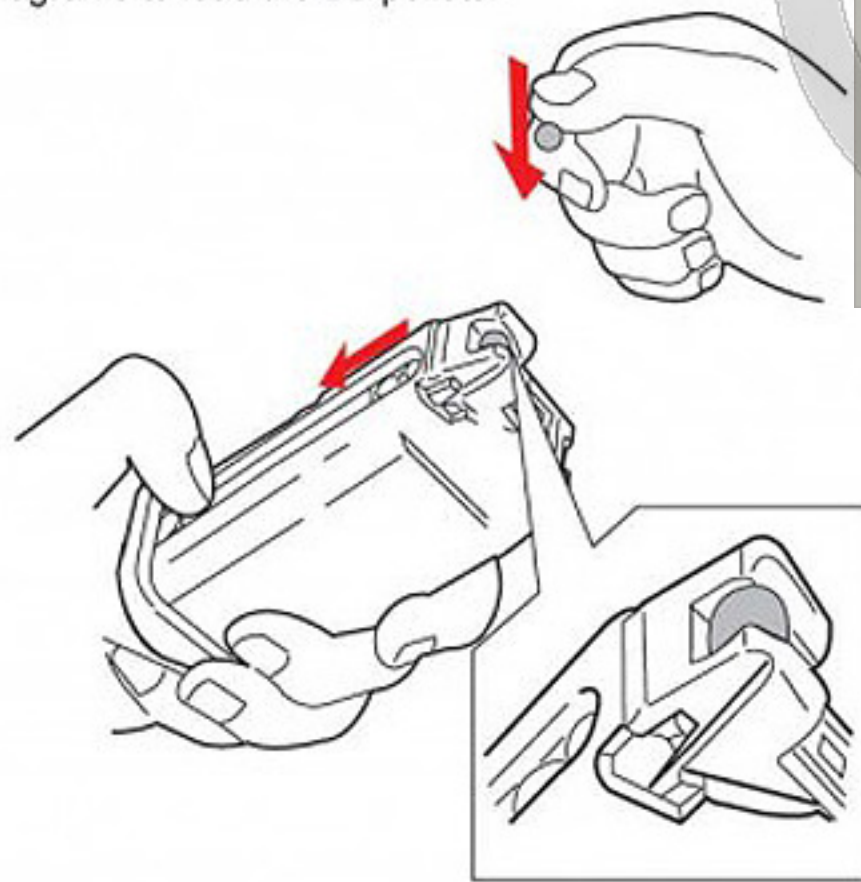
Please don't use the BB pellet which is not completed.



Please don't use the broken BB pellet.



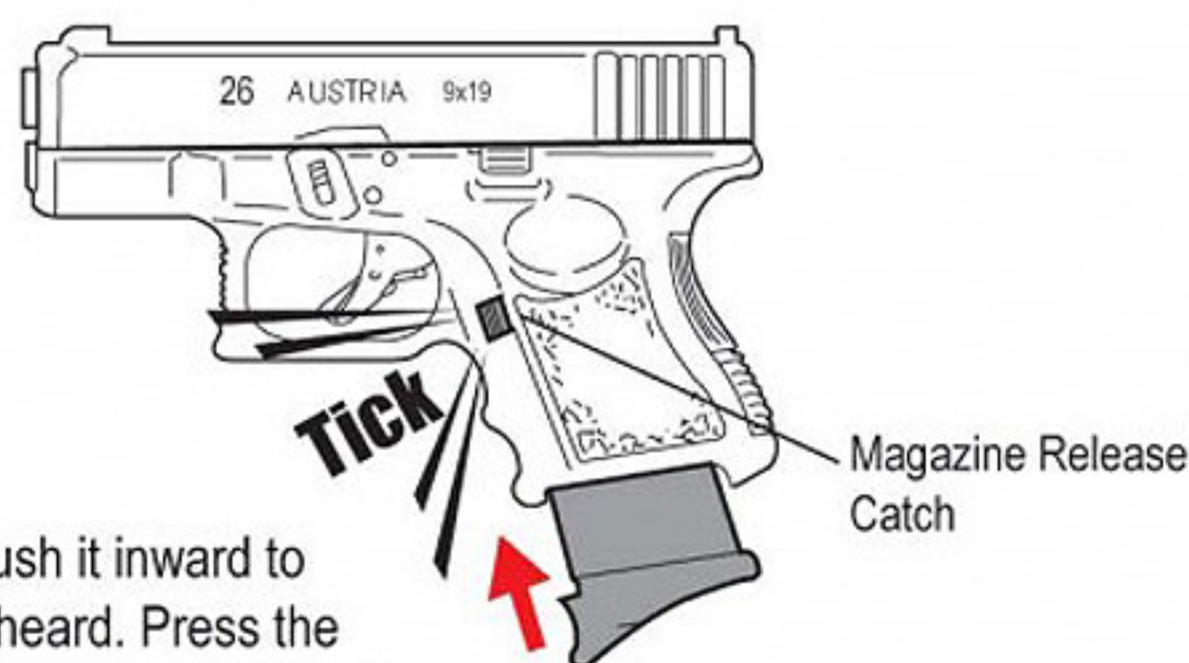
Please don't use the BB pellet which diameter is exceeded 6 mm.



Do not compress and release the magazine spring without BB pellet is loaded. It may be damage the magazine.



#### 3 Loading & Releasing The Magazine



While loading the magazine, push it inward to the bottom till a "tick" sound is heard. Press the magazine release catch, the magazine will fall off from the stock.

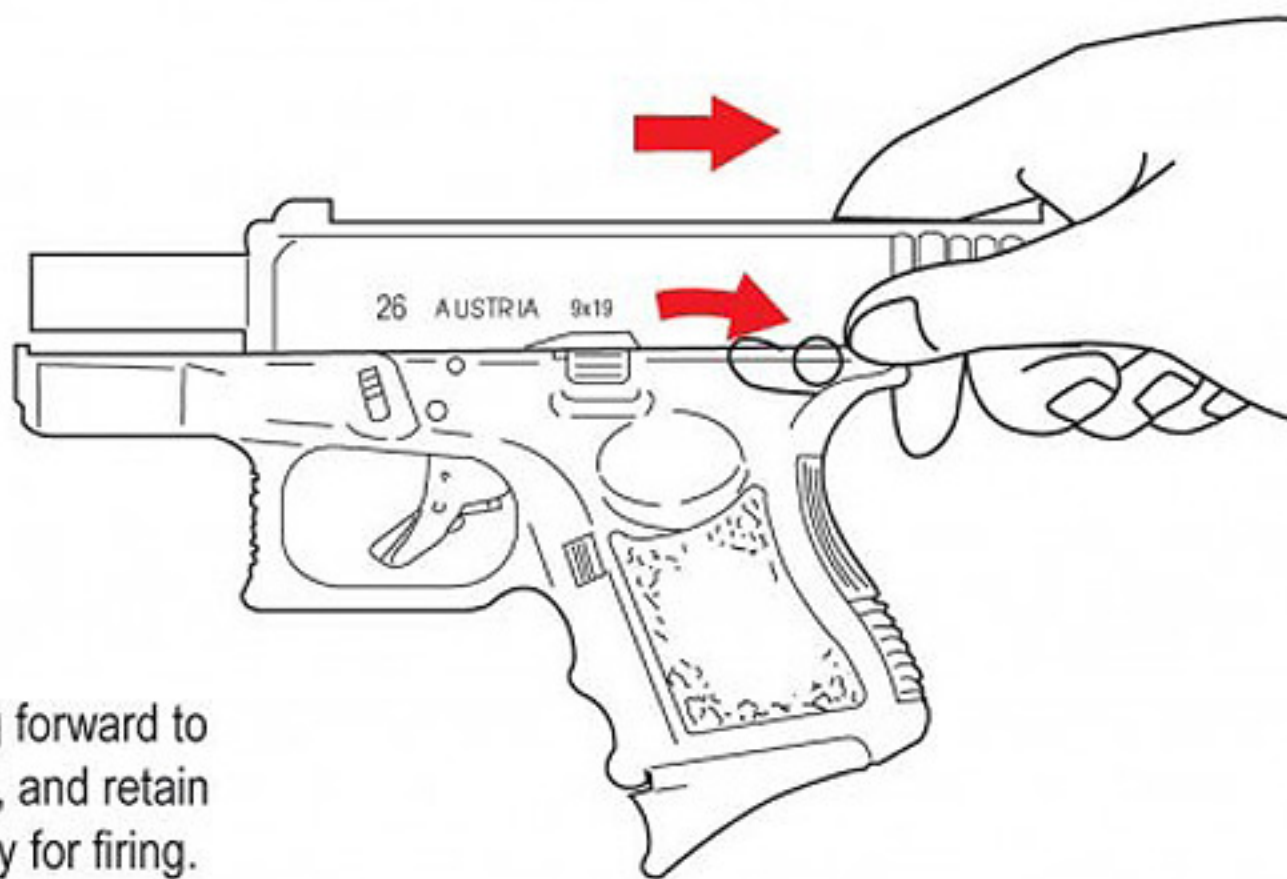


Attention: use hand to receive the magazine to prevent it from falling down to the ground.



## 4 First Load For Firing

1. Pull the slide backward to a specific position.



2. Then release and let the slide moving forward to load the pellet into the firing chamber, and retain the hammer at the rear position, ready for firing.

## 5 Safety Operation

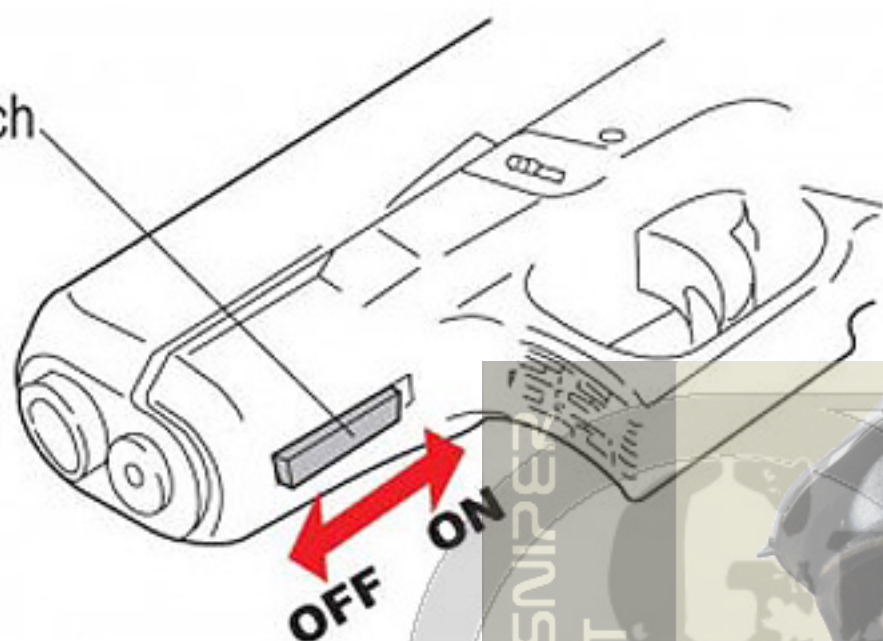


Pistol can only work when the safety switch stays at "OFF" position. Do not operate the trigger when the safety switch is at "ON" position. Otherwise, the pistol may be damaged.

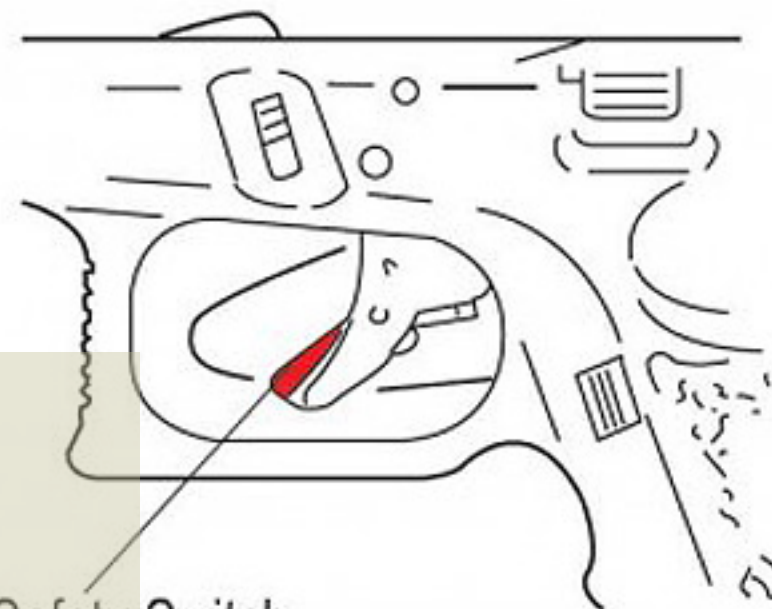


Do not hand your finger on the trigger if you are not shooting.

Safety Switch



Trigger Safety Switch



## 6 Shooting

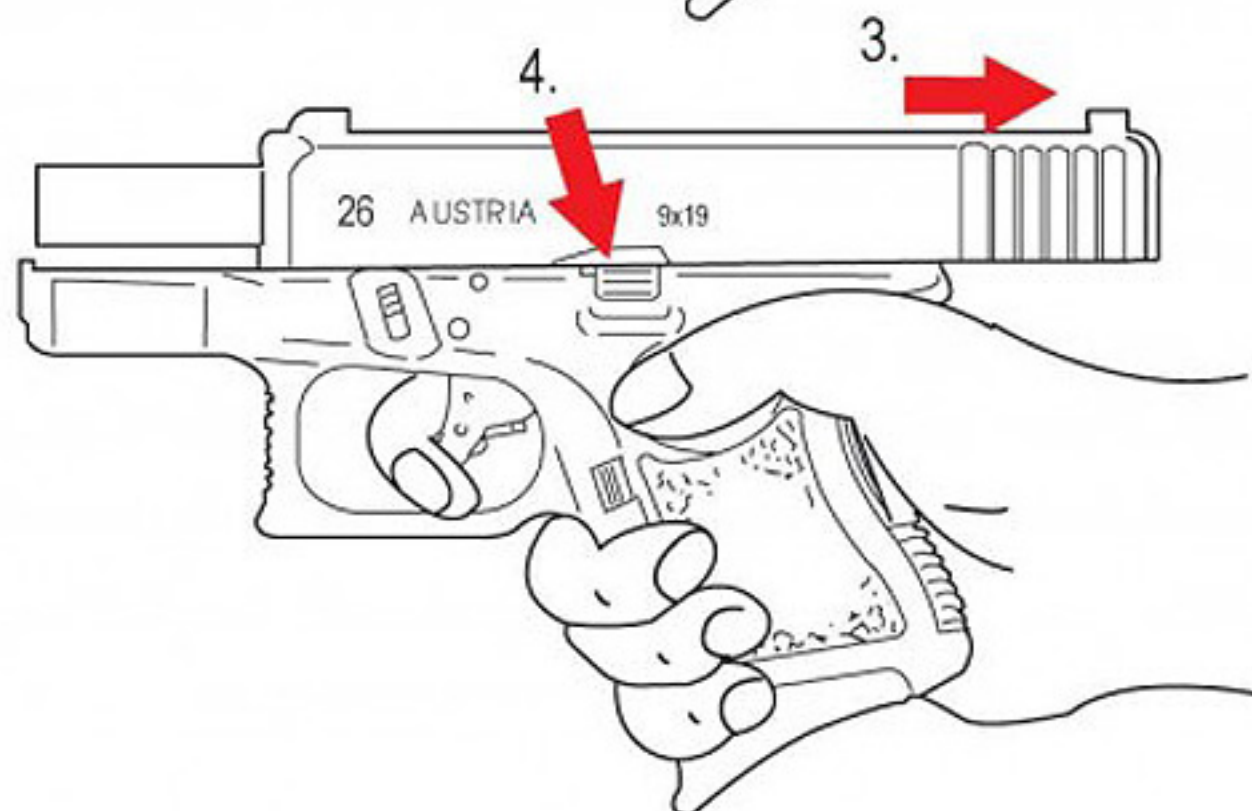


After a long and continued firing practice, the low temperature of the magazine will cause a reduced gas pressure as well as the low velocity of pellet. It is a normal condition and not a trouble.

Never practice the reverse firing because which action causes the gas can not evaporate and the vaporized gas easy to damage the parts.



1 When the slide is pulled back and released forward. The BB pellet is loaded in the firing chamber, press the trigger to fire the loaded BB pellet.



2 After the last BB pellet is fired, the slide will be retained in the back position, it means an empty magazine condition. If you want to resume the firing, insert a new fully loaded magazine; press the slide lock to release the slide and to reload the BB pellet.



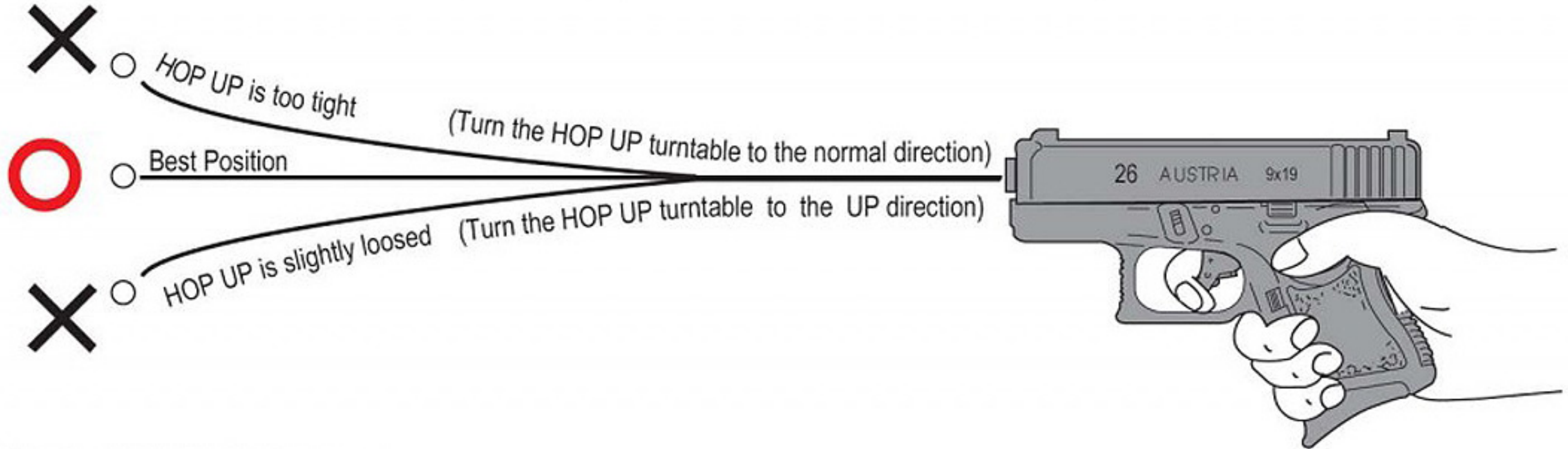
Be careful the bounce back slide.





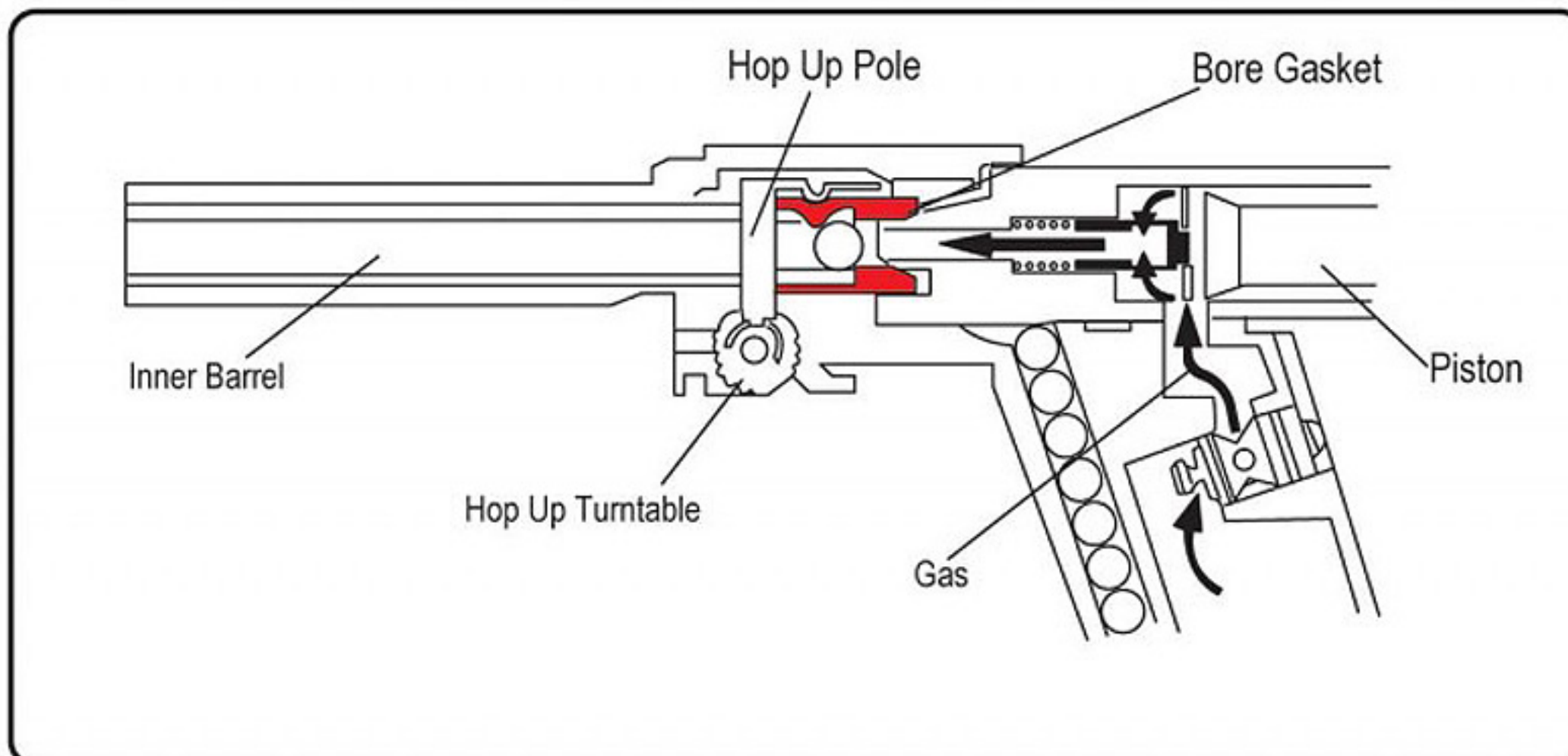
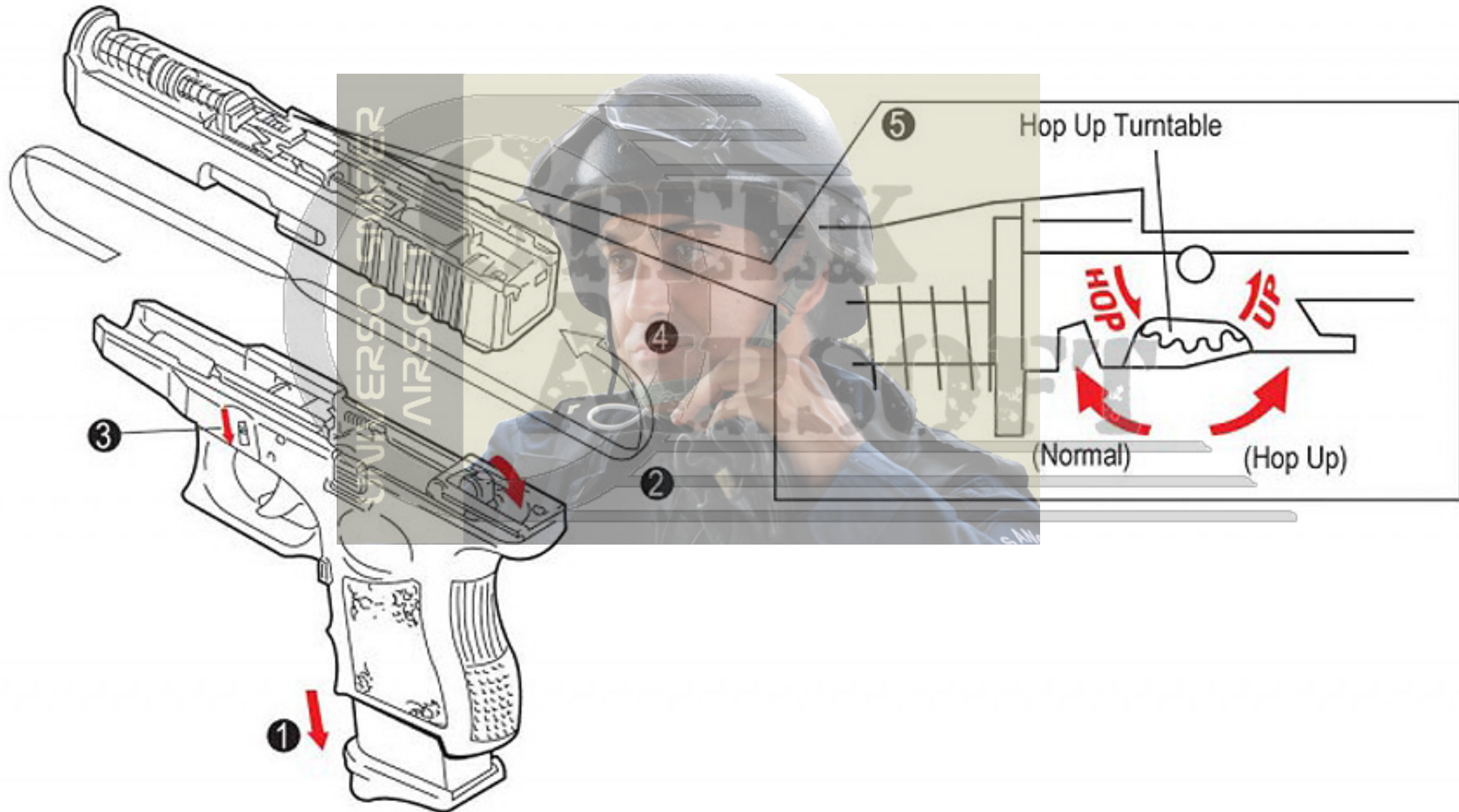
## 6 Application of HOP UP

1. The adjustable HOP UP system can make the trajectory of BB pellets slightly adjustable, and compared with the launcher which makes pellets moving at a parabola trajectory, it can aim at a farther target and shoot the pellets for a long range. Unlike the fixed one, the HOP UP turntable and HOP UP Pole can be adjusted slightly by a light touch. It is a wonderful HOP UP system.



2. Adjust the HOP UP in 1~5 sequence.

- Turn the HOP UP turntable slowly towards the "UP" direction till the BB pellets can be shot horizontally.
- Too tightness will cause a poor shooting, so, complete the adjustment till the trajectory is horizontal.
- Forceful turn of the HOP UP turntable to a certain degree may cause damage.



**CAUTION Never use any used BB pellets**

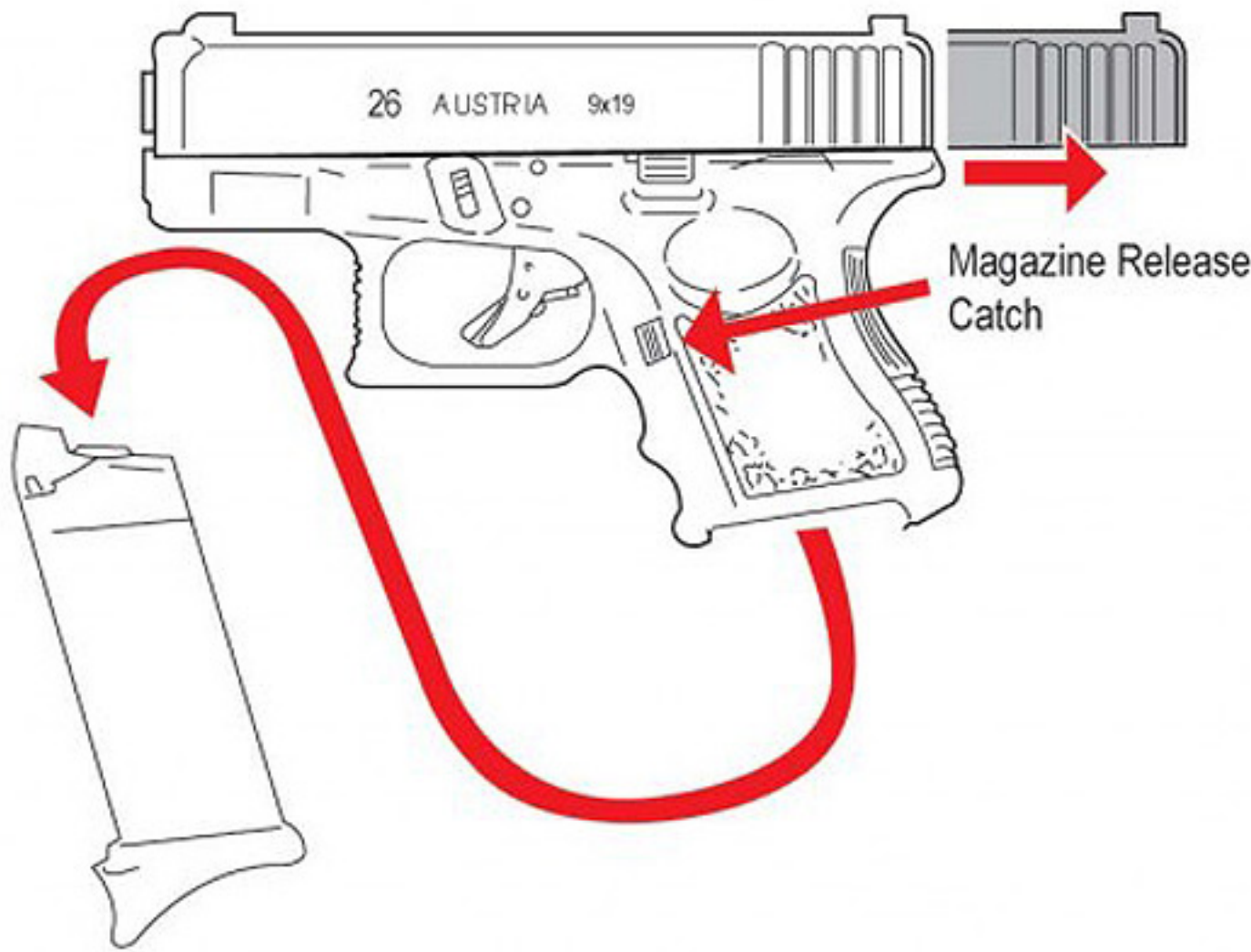
Use new 6mm BB pellet is a must

Please don't use any BB pellet which is not completed. Please don't use any broken BB pellet. Please don't use any BB pellet which diameter exceed 6 mm.

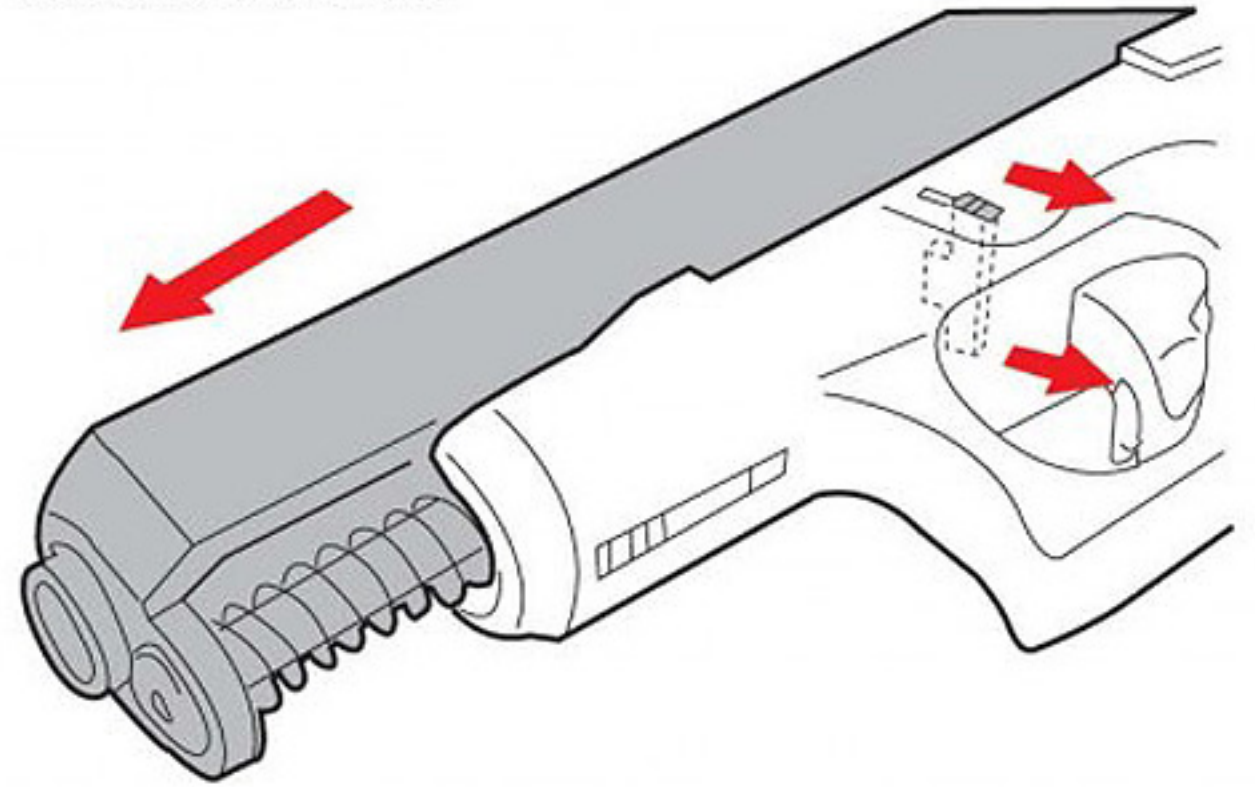


## 4 ① How to disassembly the pistol for basic maintenance

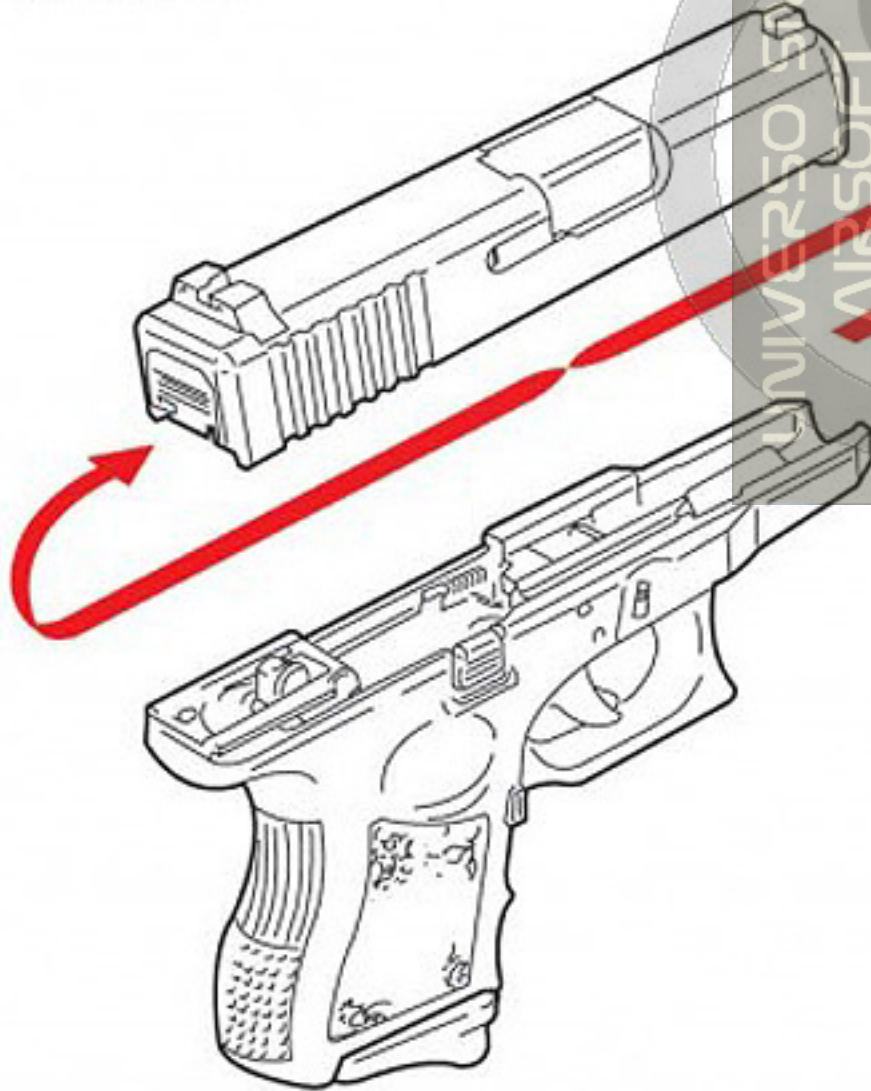
1. Detach the magazine first.



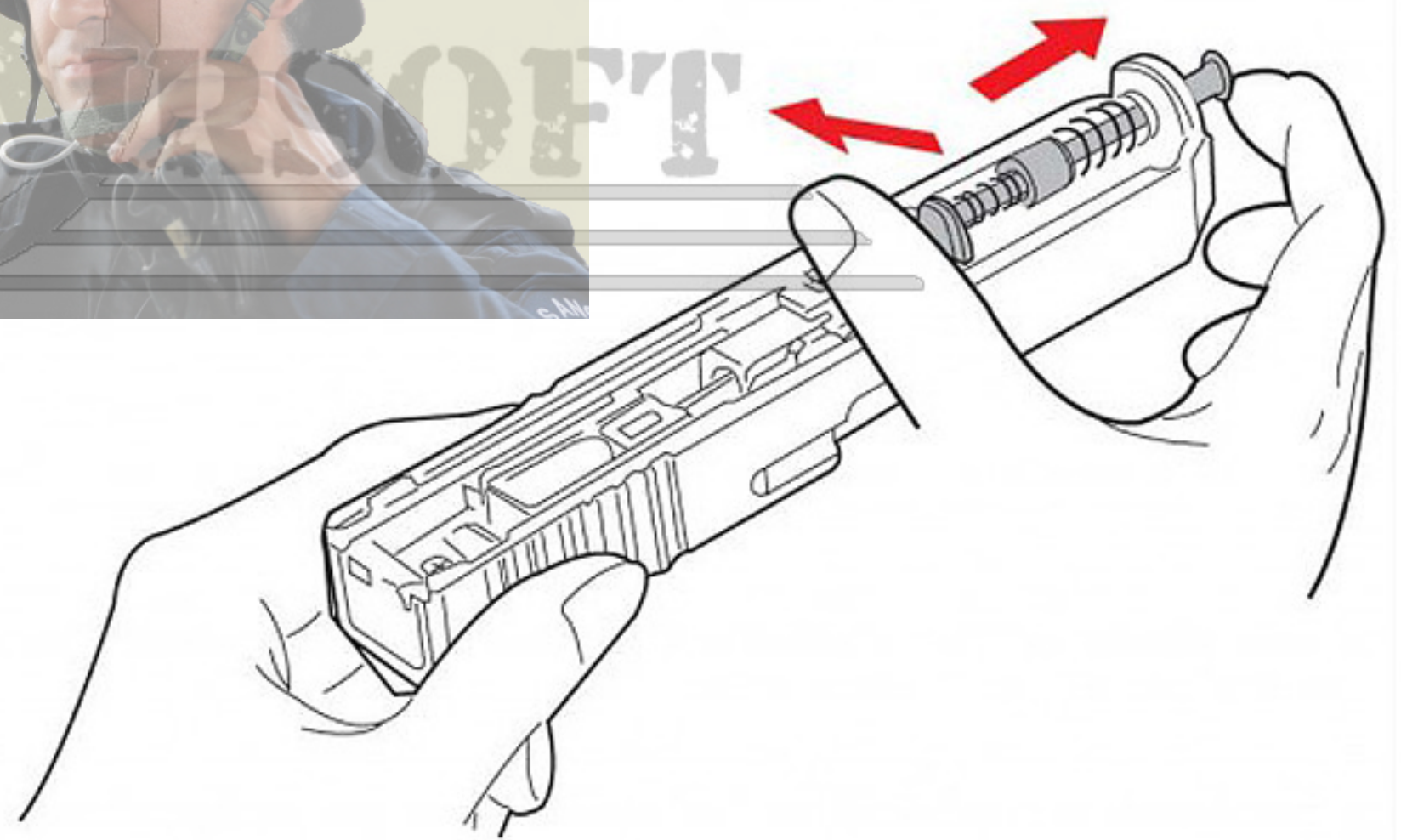
2. Press the slide release button and push forward the slide.



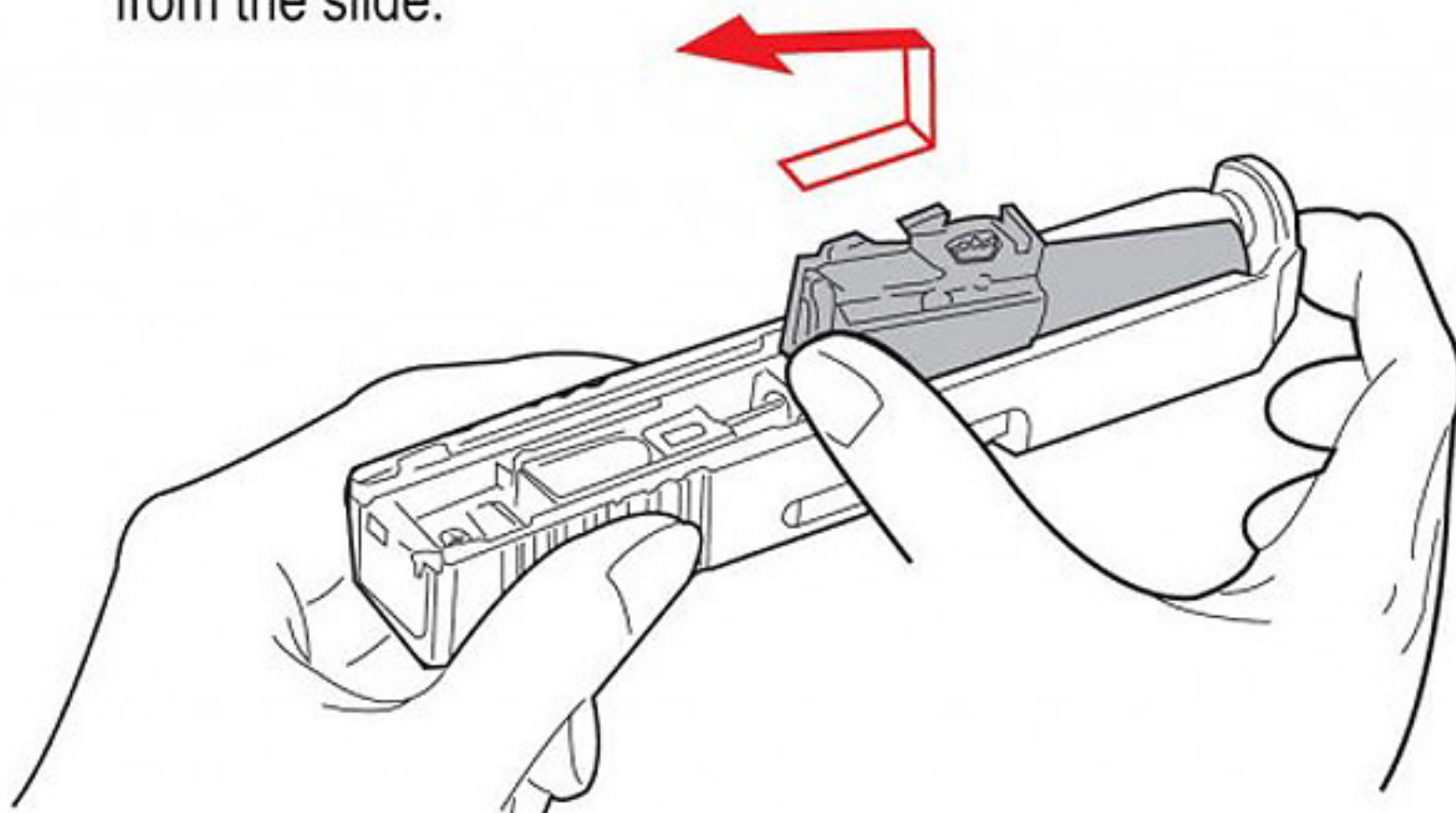
3. Then, remove the whole slide apart from the frame.



4. Press the recoil spring rod forward and remove it from the slide.



5. Finally, remove the inner barrel system from the slide.

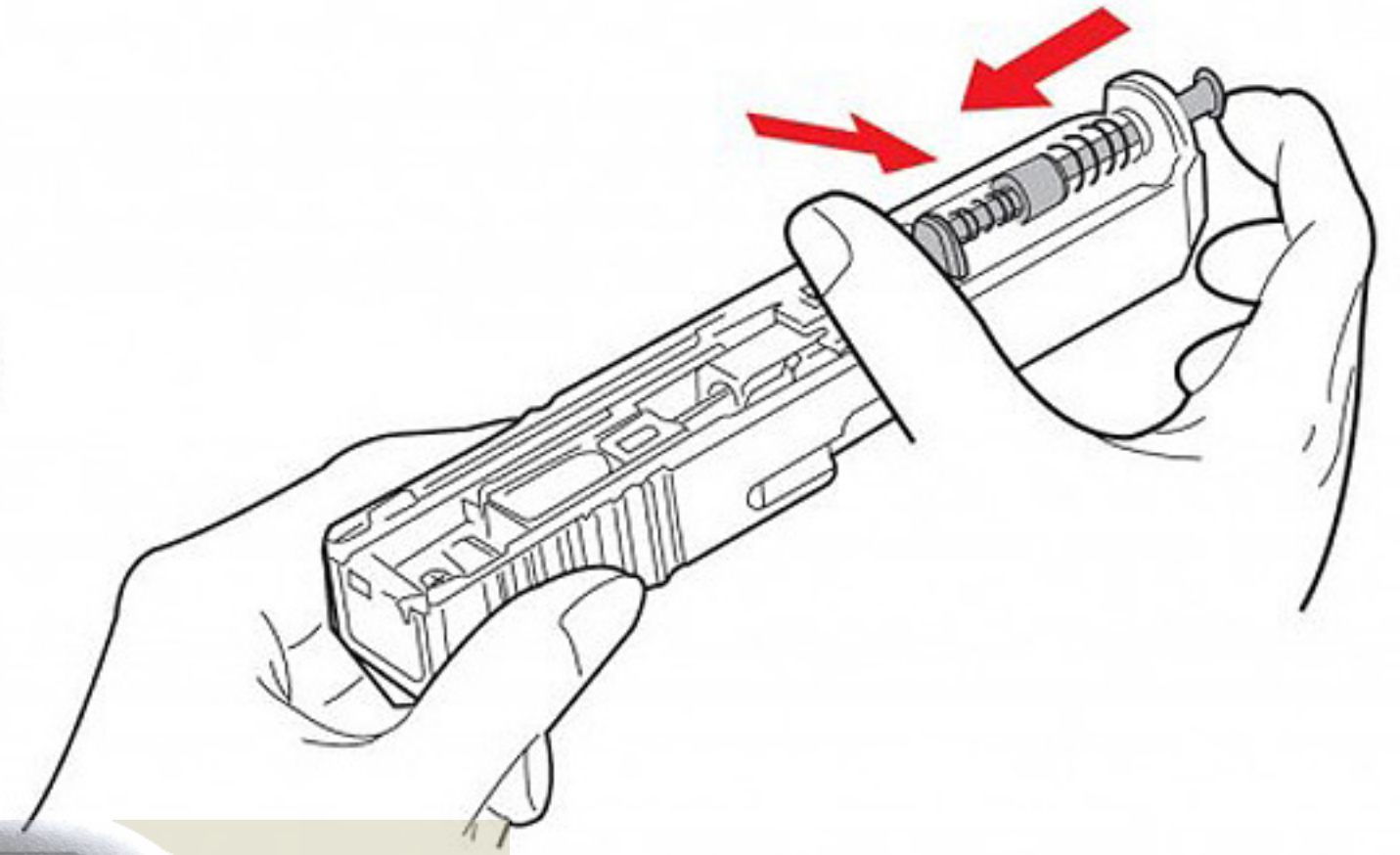
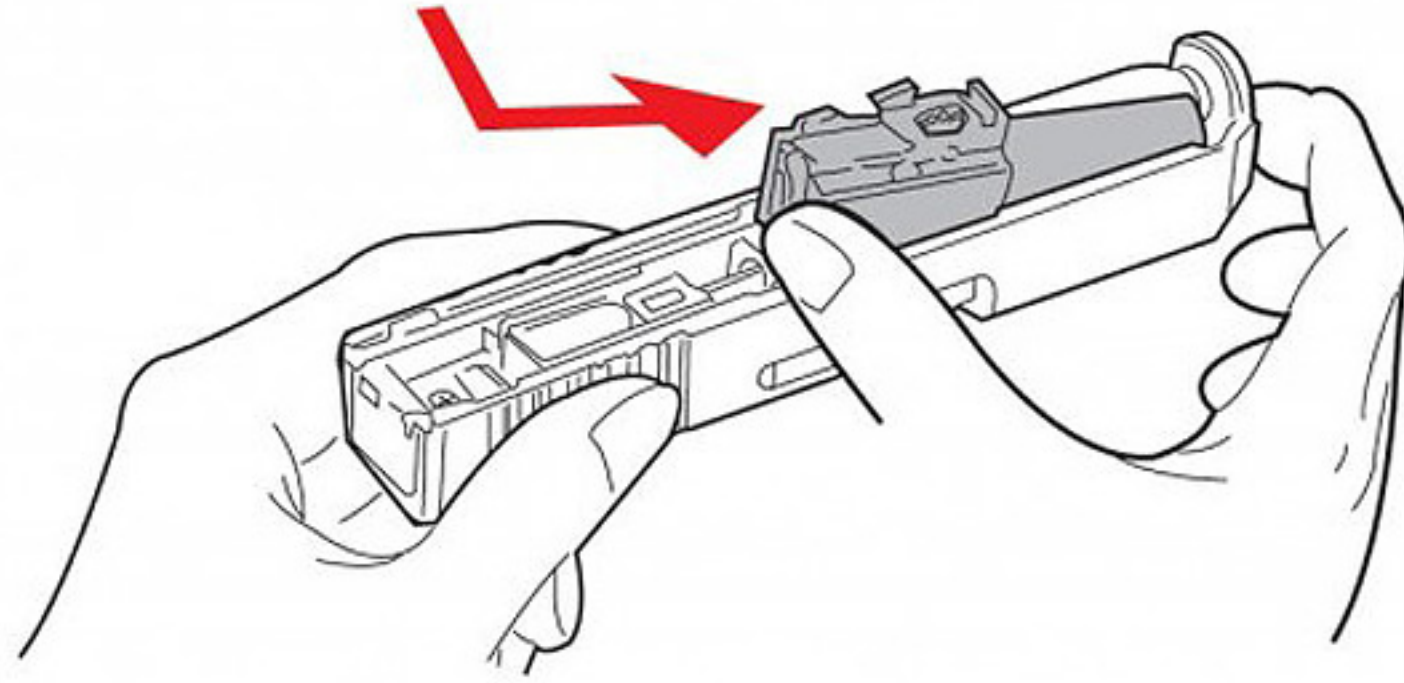




② How to assembly after the basic maintenance.

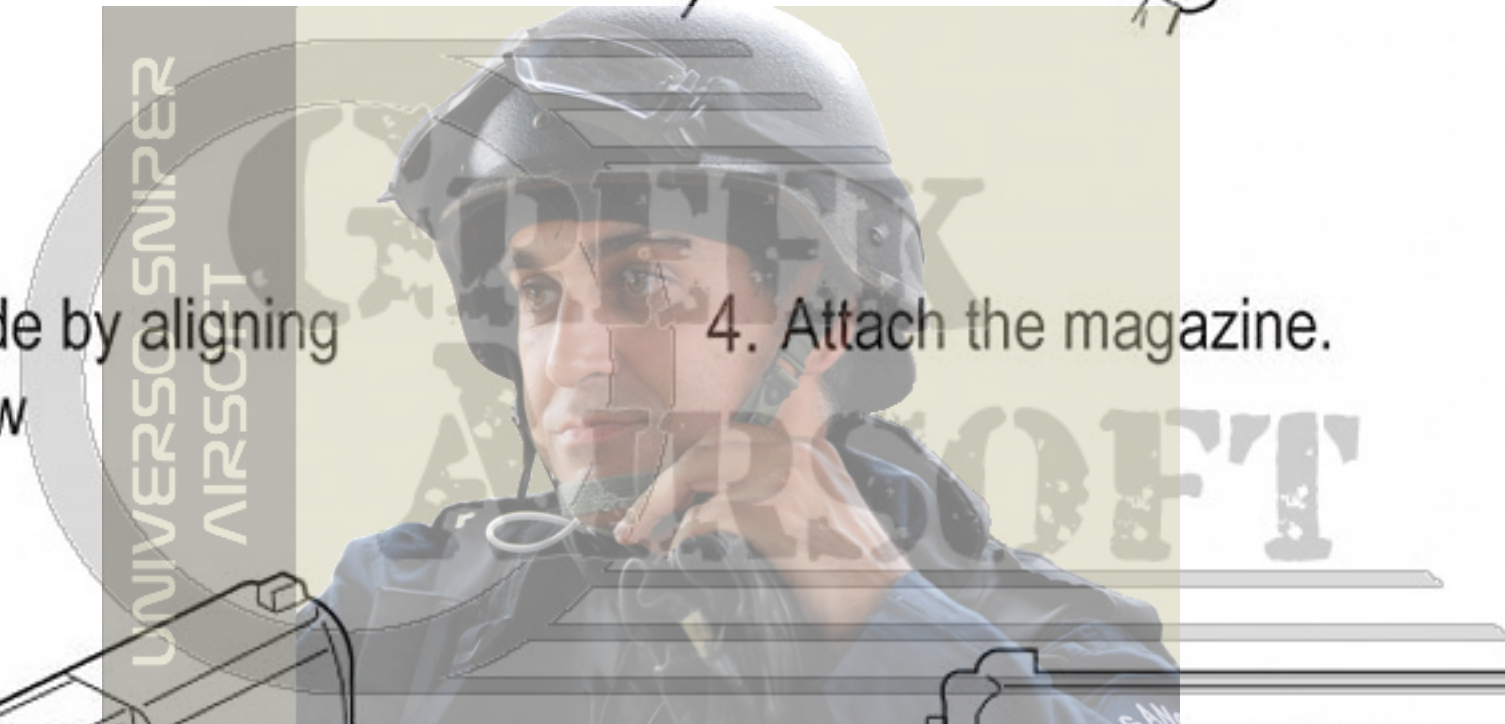
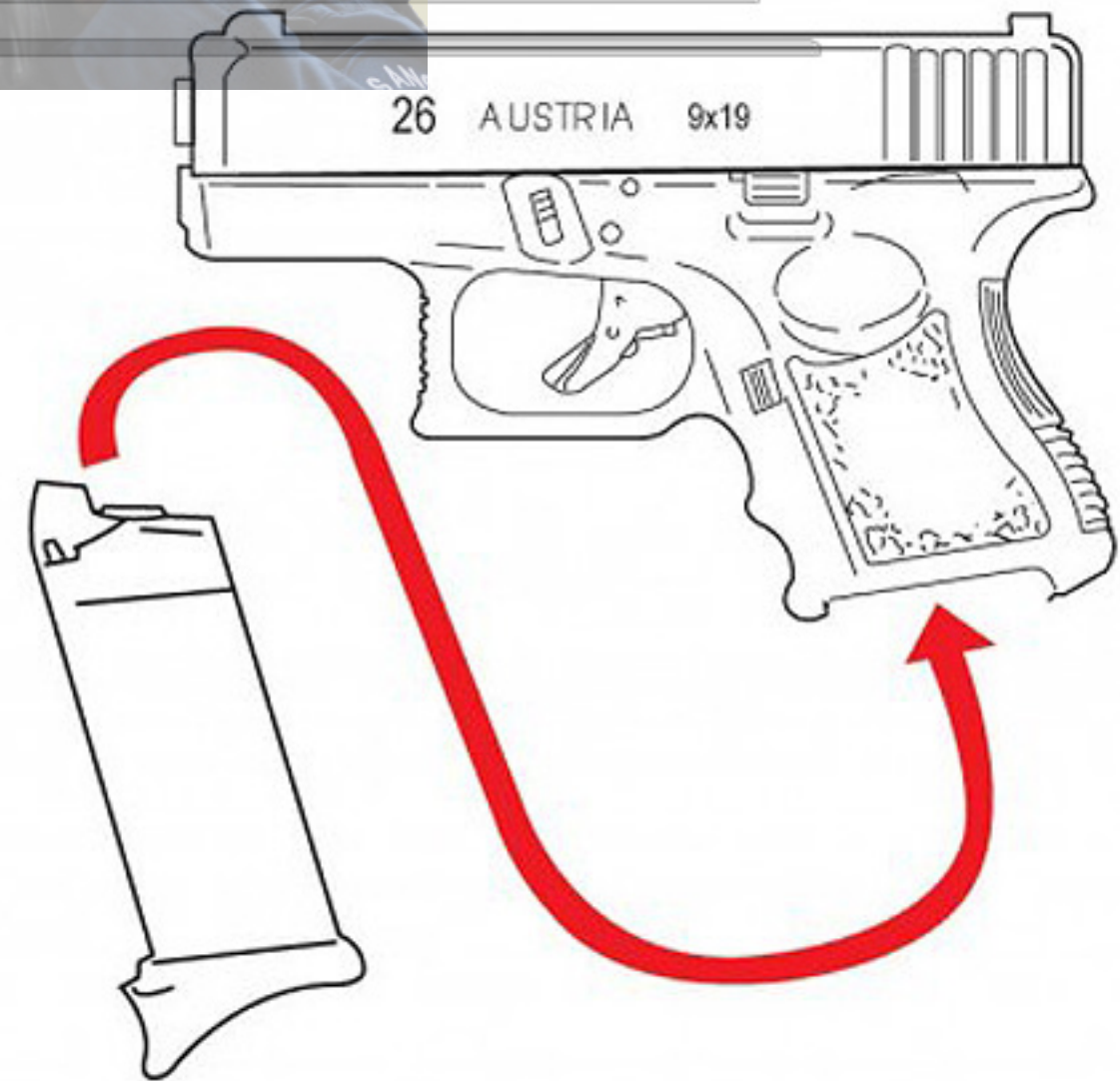
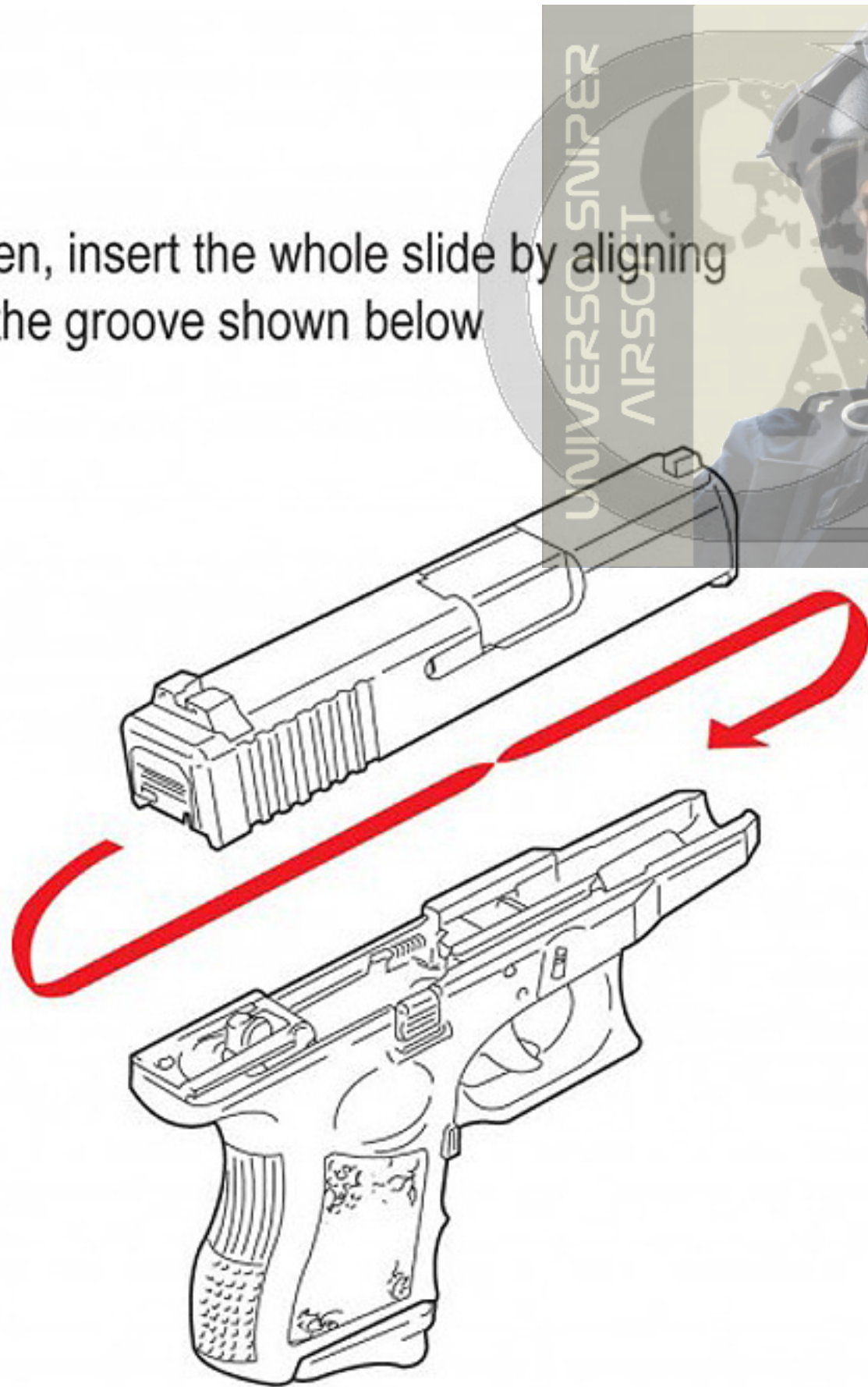
1. Install the inner barrel system into the slide.

2. Install the recoil spring rod back into the slide.



3. Then, insert the whole slide by aligning to the groove shown below

4. Attach the magazine.



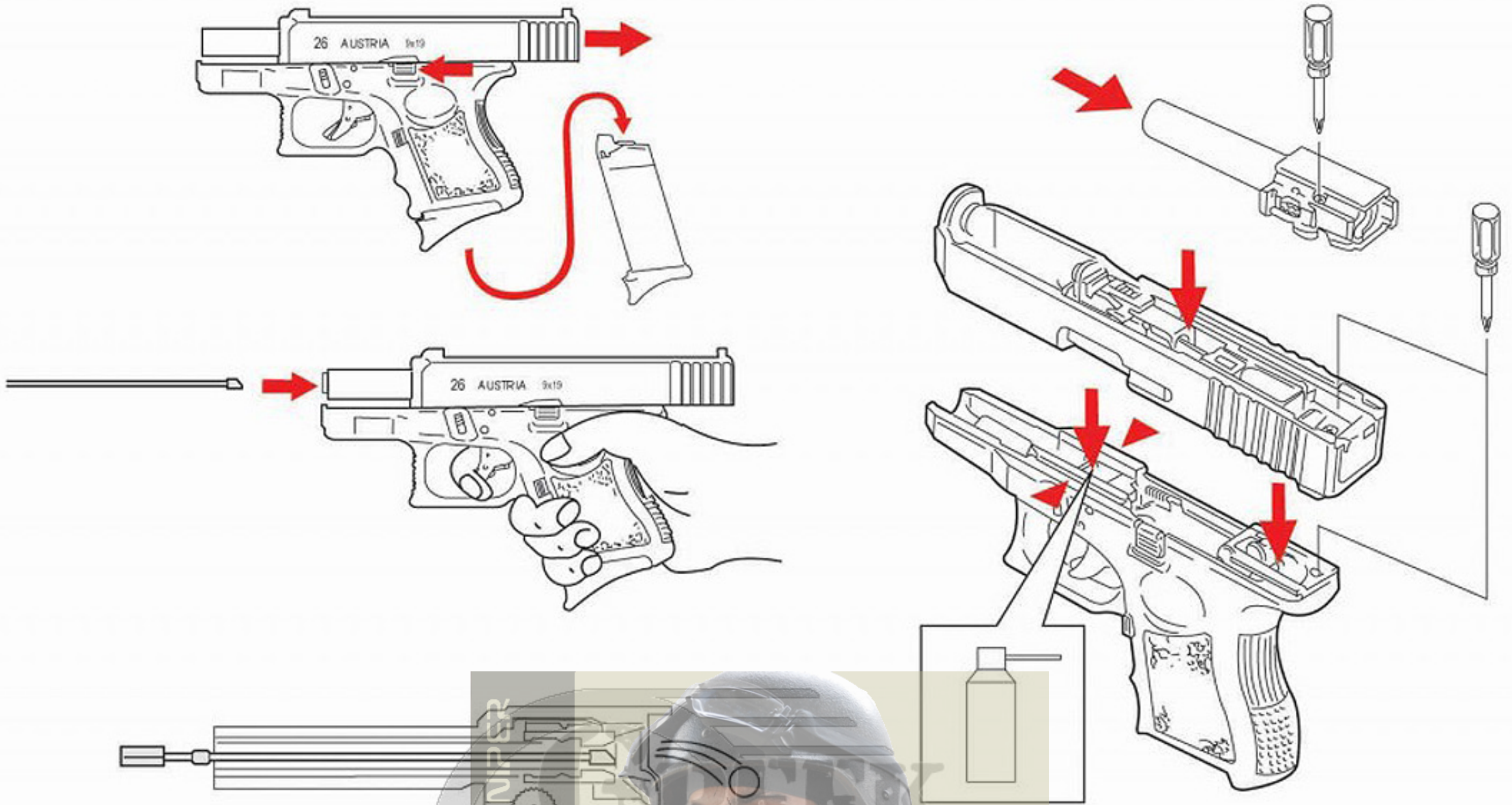
UNIVERSO SNIPER  
AIRSOFT



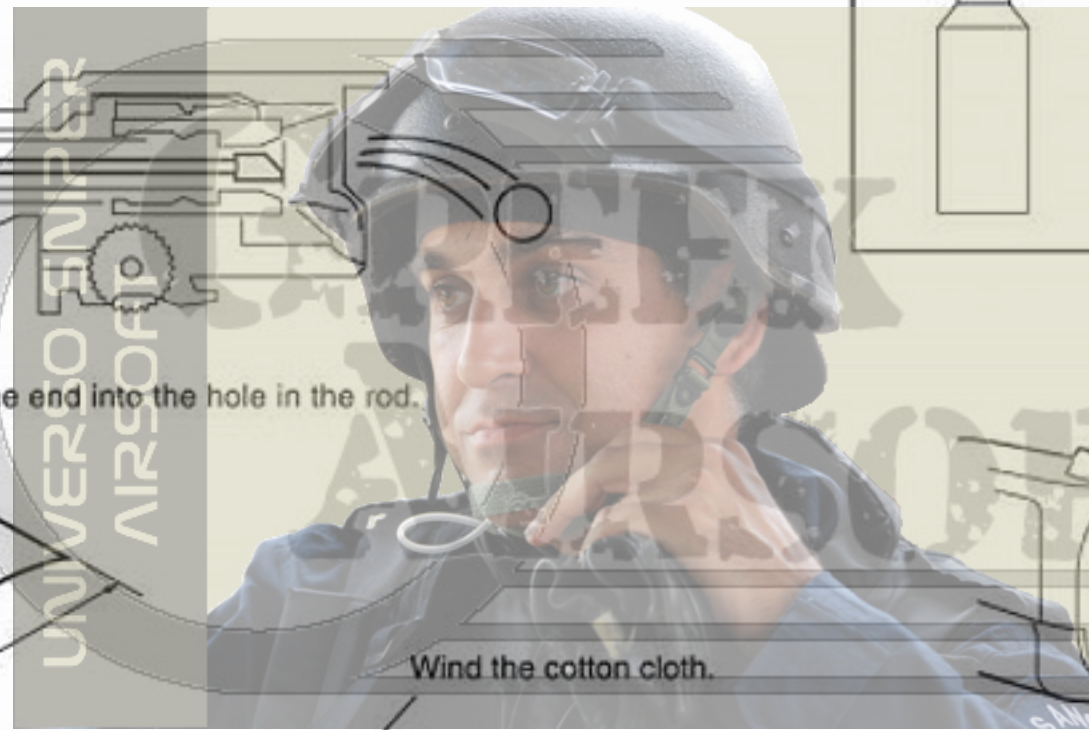
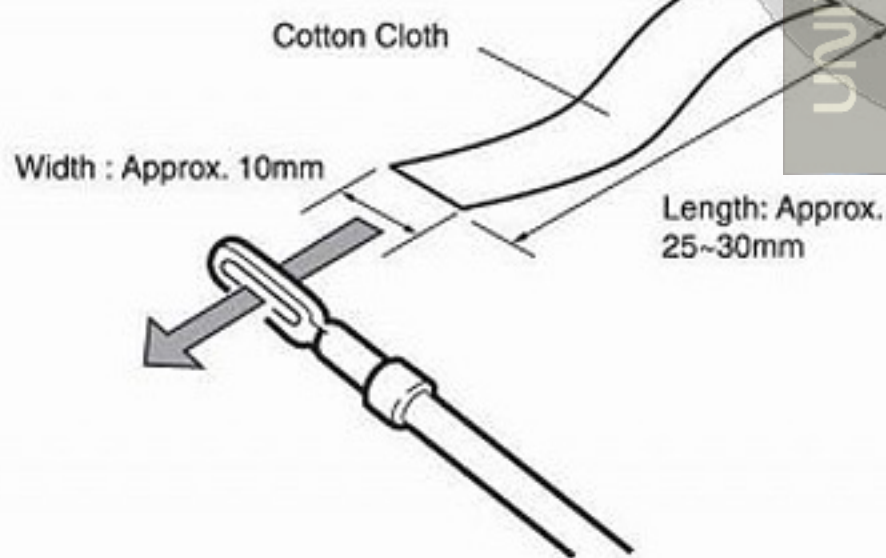
## 5 Maintenance

1 If the pellets are clogged, remove the magazine and use the cleaning rod to eject the pellet.

2 Then spray silicone oil for 0.5 to 1 sec in the arrow area; and clean the oil from the chamber using the cleaning rod (with cotton) to complete the maintenance.



3 Cut a cotton cloth to the size as shown above and insert one end into the hole in the rod. (Adjust the length of cloth for smooth entry into the barrel.)



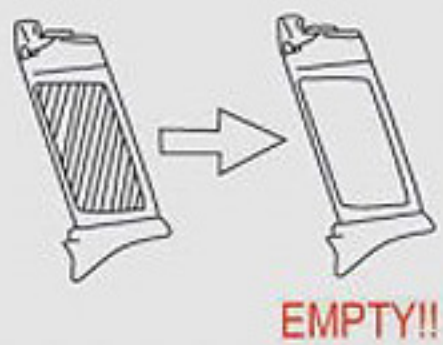
Wind the cotton cloth.



CAUTION: Always begin the maintenance by returning the hop up adjustment lever to NORMAL.



\*Always empty remaining gas in the magazine before storage.

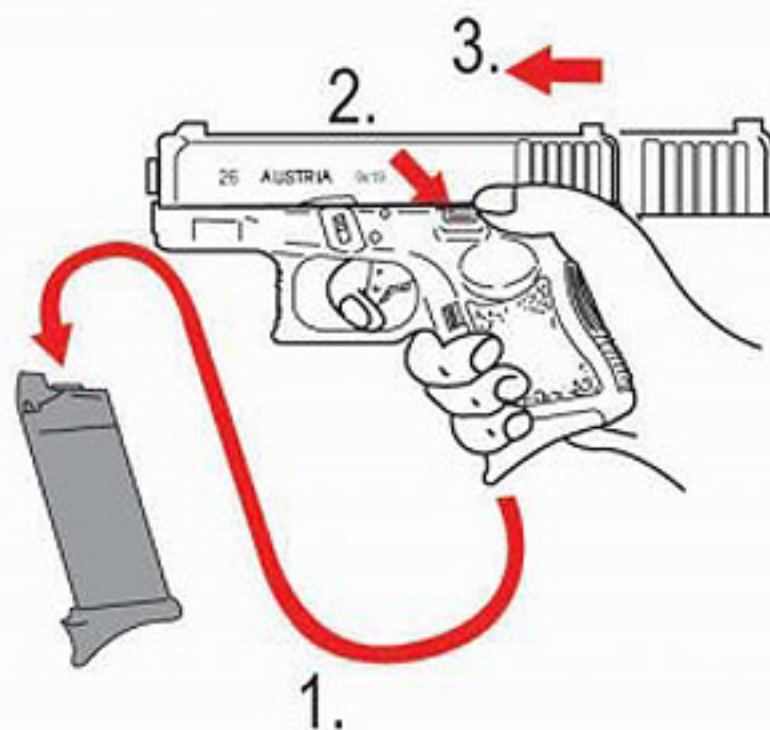


4 After shooting and storage

1 After the shooting practice, 1) take off the magazine from the stock, 2) push down the slide lock to hold the slide in place and 4) press the trigger to release the hammer.

2

3 Attention: Take out any pellet from inside.



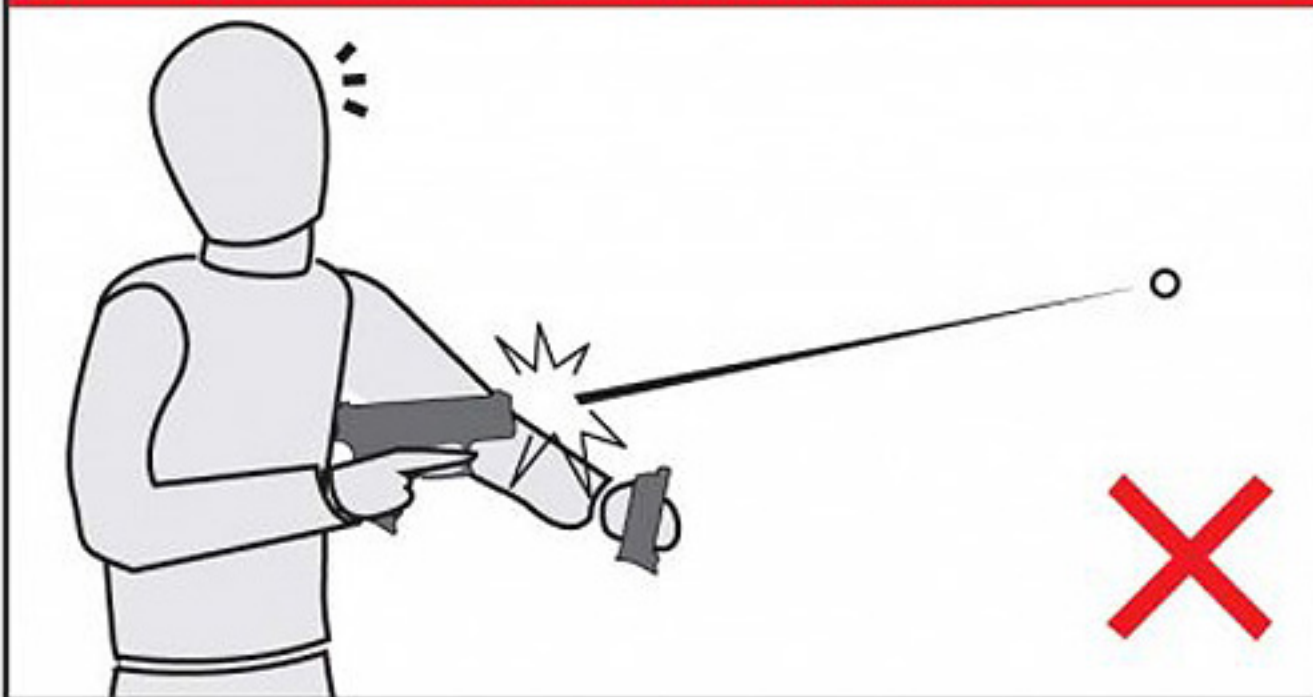


**6 ! WARNING**

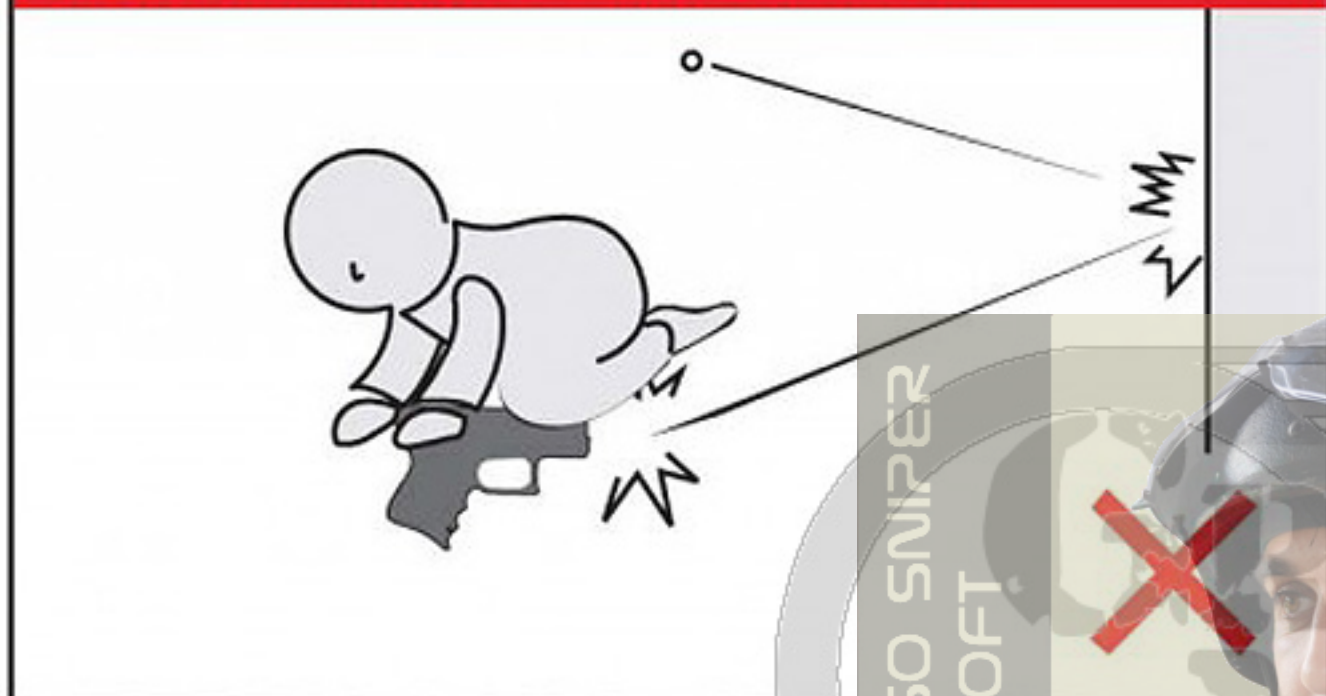
**! WARNING**  
Never point the muzzle at people or animals.



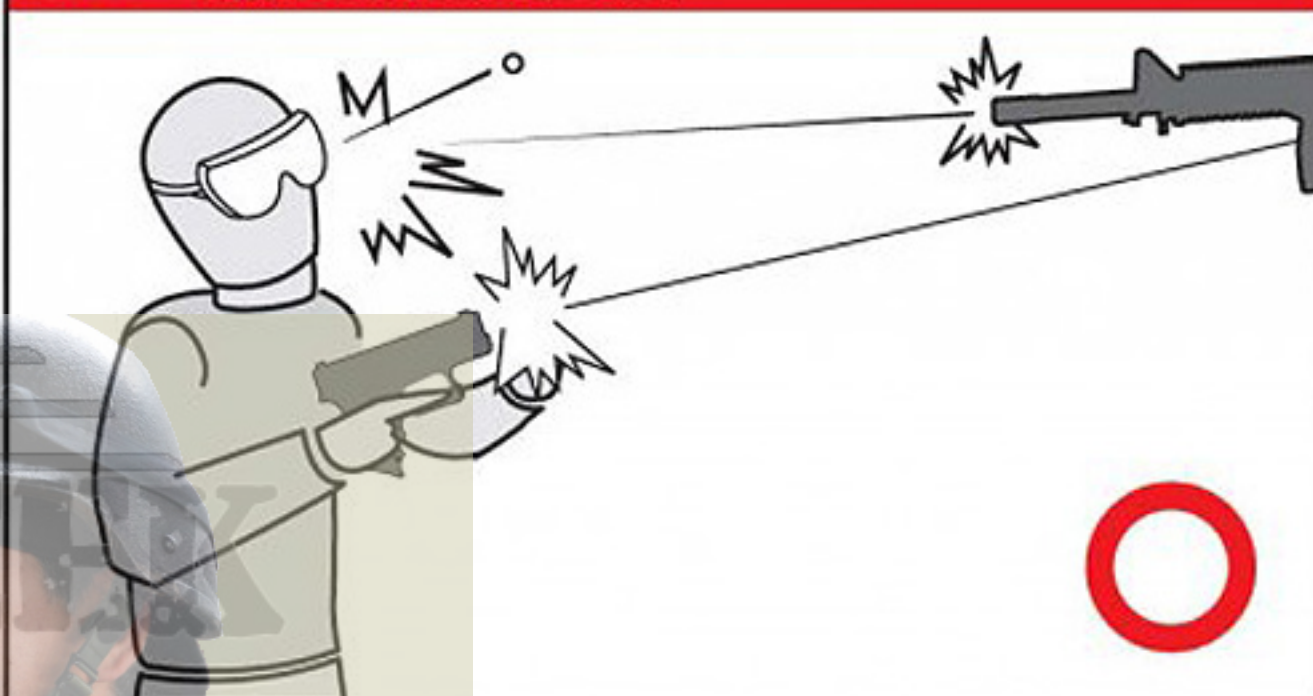
**! WARNING**  
Never load the pistol if you don't intend to fire it.



**! WARNING**  
Please keep the pistol far away from children.



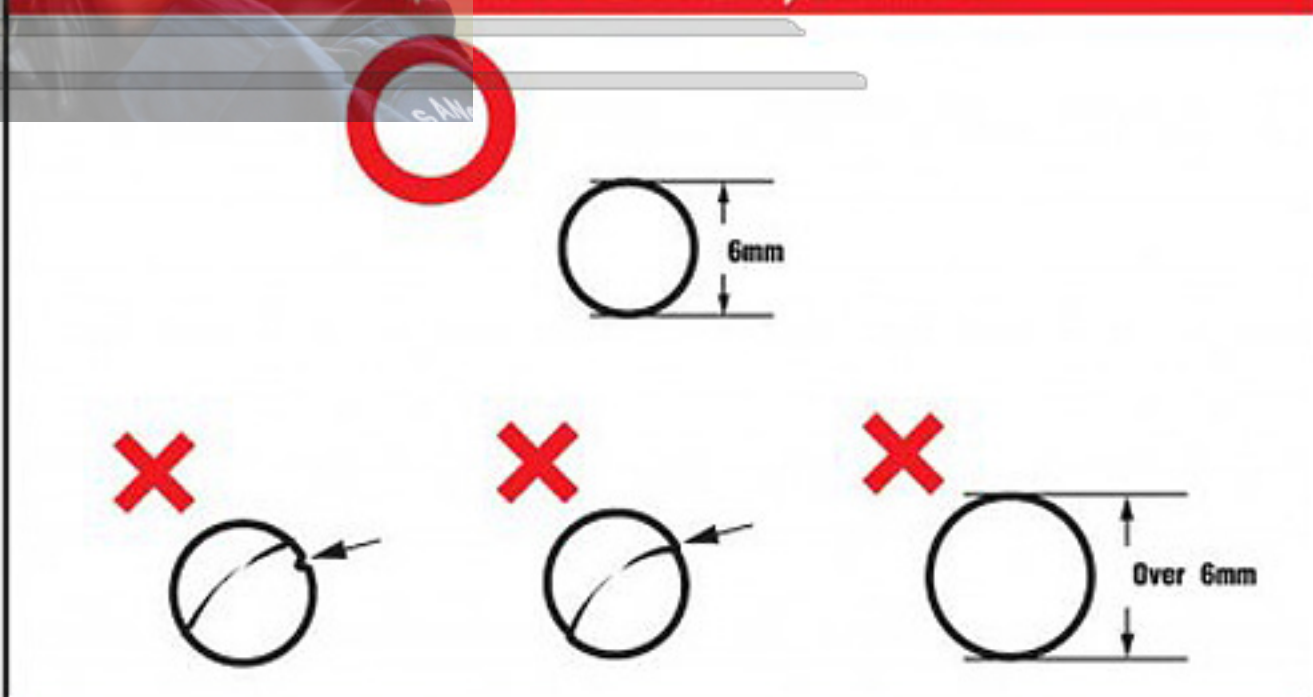
**! WARNING**  
Please remember to wear protective glasses or shooting glasses to protect the eyes.



**! WARNING**  
Don't try to look at the muzzle directly.



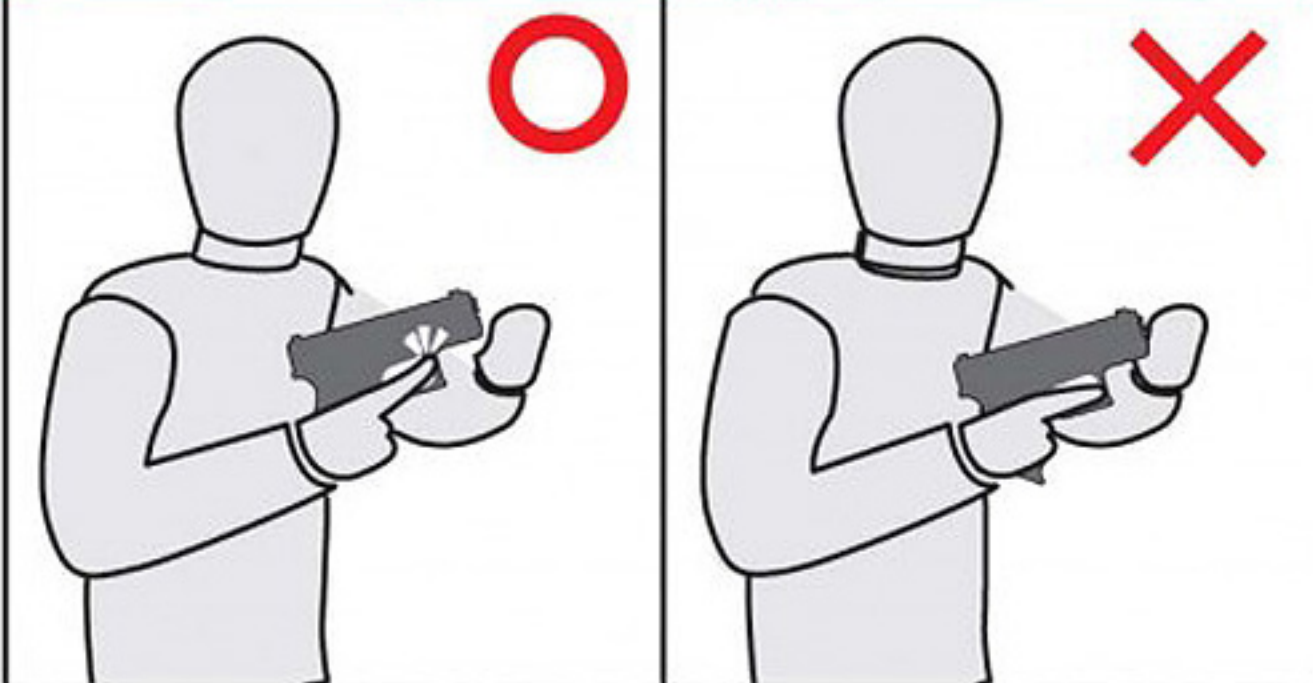
**! WARNING**  
Always use new pellets with high quality. Never use pellets that has already been used.



**! WARNING**  
Always keep the gas container away from high temperature, direct sunlight or fire.



**! WARNING**  
Don't hang your finger on the trigger if you are not shooting.



In no event shall Classic Army or any of our partners be liable for any direct or indirect, special, incidental, or consequential damages in connection with the use of our products.



**7** For complete product information, dealer locations and technical support, please visit the website of Classic Army Sole Distributors.

## Italy, San Marino Republic, Città del Vaticano, Spain (includes Andorra and Gibraltar) Portugal and Switzerland

Co. Name: Evolution International S.r.l  
Add.: Via dell' Annunciata n.31, 20121 Milan, Italy  
Tel: (39) 02 25459027  
Fax: (39) 02 25118356  
Email: info@evolution-airsoft.com  
Website: www.evolution-airsoft.com

## Denmark, Sweden, Norway & Finland, France, Germany, Austria, United Kingdom, Poland, Baltic countries, Belgium, Luxembourg, the Czech Republic and Slovakia

Co. Name: ActionSportGames A/S  
Add.: Bakkegaardsvej 304, DK-3050 Humlebaek, Denmark  
Tel: (45) 89 28 18 88  
Fax: (45) 49 19 31 60  
Email: sales@actionsportgames.com  
Website: http://www.actionsportgames.com/

## The United States of America

Co. Name: Spartan Imports, Inc.  
Add.: 213 Lawrence Avenue, S. San Francisco, California, USA 94080  
Tel: (1) 650 589 5501  
Fax: (1) 650 589 5552  
Email: info@spartanimports.com  
Website: http://www.spartanimports.com/



## Taiwan

Co. Name: F-Link Int'l Enterprise Co. Ltd.  
Add.: 3 Lane 62, Jianguo 1st Rd., Lingya District, Kaohsiung City 802, Taiwan, R.O.C.  
Tel: (886) 7-710 0198  
Fax: (886) 7-710 0398  
Email: kssa.kssa@msa.hinet.net  
Website: http://www.soloman.com.tw/

## Thailand

Co. Name: Voxtech Co., Ltd  
Add.: 92 Kaset - Nawamintra Rd. Soi Ladplacow 39 Jorakebua Ladphrao Bangkok  
Tel: +662 9402629 ( auto 4 lines ) / +668 1 8692117  
Fax: +662 9402679  
Email: polaris\_adventure@yahoo.com  
Website: http://www.classicarmy-thailand.com

## Japan

Co. Name: Union Fire Company (UFC)  
Add.: 542-0067, 6-10-101 · MATSUYAMACHI, CHUO-KU, OSAKA, JAPAN  
Tel: +81-6-4304-7750  
Fax: +81-6-4304-7799  
Email: ufctrading@ufc-web.com  
Website: http://www.ufc-web.com/









**Website: [www.classicarmy.com](http://www.classicarmy.com)**

**E-mail: [info@classicarmy.com](mailto:info@classicarmy.com)**