



Airsoft Electric Gun

M134-A2

VULCAN MINIGUN

Handling Cautions And Instruction Manual

UNIVERSO SWIPER
AIRSOFT



UNIVERSO SWIPER
AIRSOFT



Metal Casting



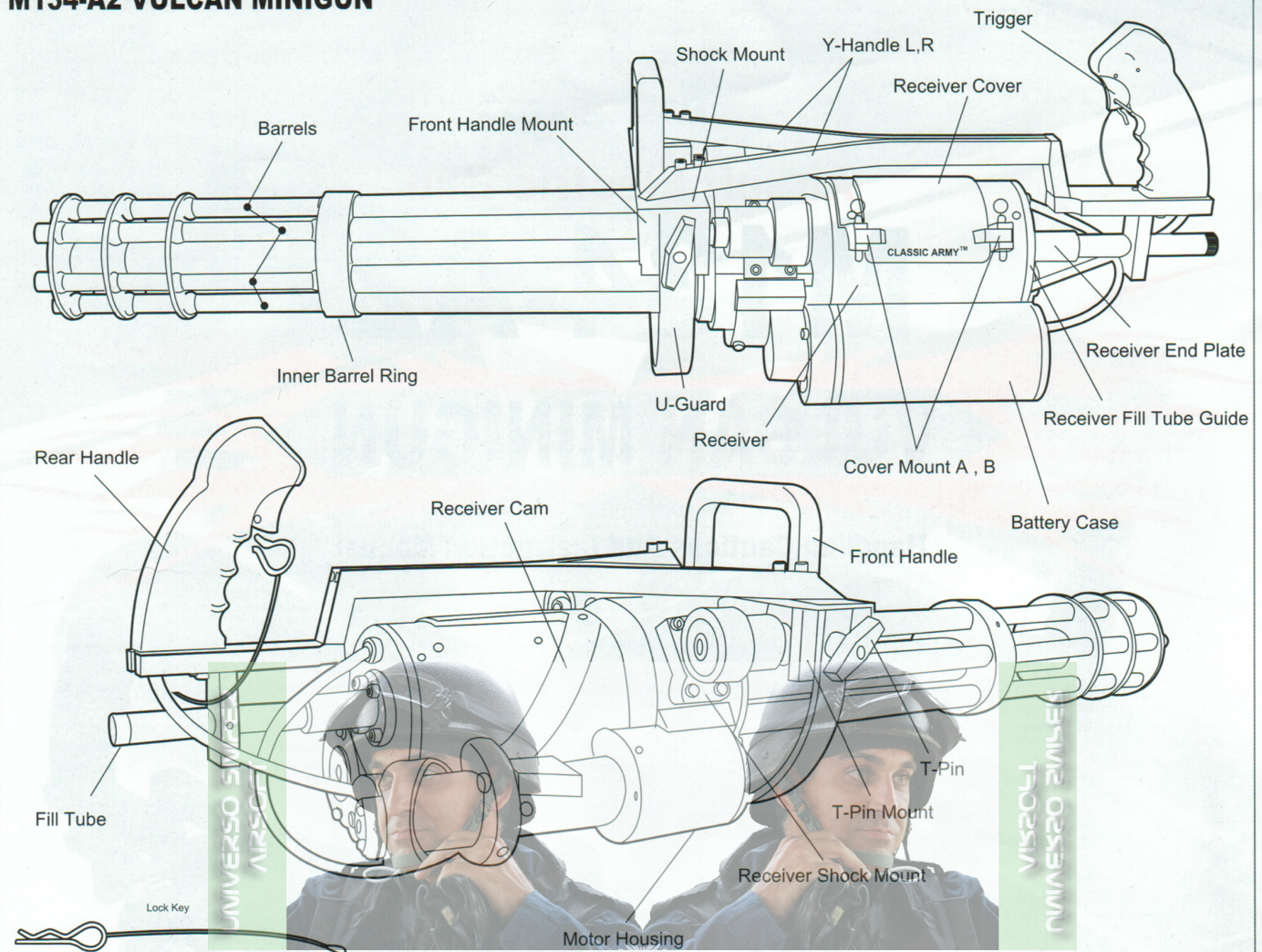
**Limited
Edition**

max.67

1 Outlook / Structure of M134-A2 VULCAN MINIGUN

Always set the selector switch to the safe position when you are not firing or during storage

M134-A2 VULCAN MINIGUN



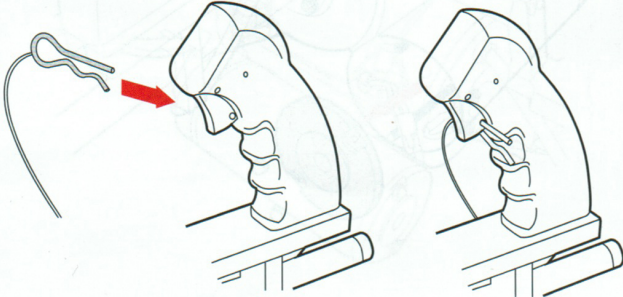
2 Specification

Data of Automatic Electric Gun

M134-A2 VULCAN MINIGUN	
Name	 S009M
Weight	11.65 kg
Barrel Length	533.4 mm
Barrel Caliber	6.08 mm
Pellet Capacity	2000 Rd
Pellet	6mm BB
Initial Pellet Speed	105~130m/s
Battery Type	12V Mini Type

3 Operation

1 How to use safety lock



S : Safety Lock

F : Full Auto

2 How to enter the BB pellet

UNIVERSO IMPER AIRSOFT

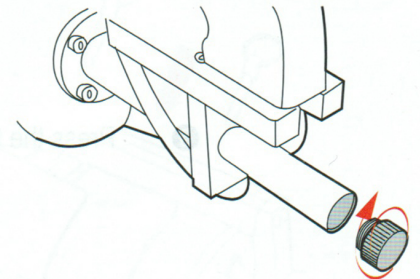
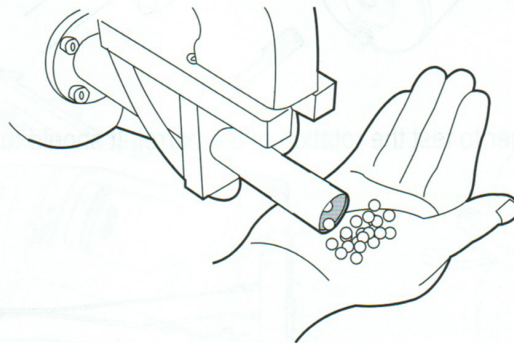
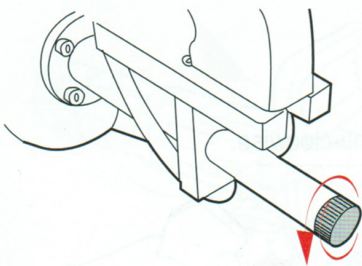


UNIVERSO IMPER AIRSOFT

1 Remove the Cap.

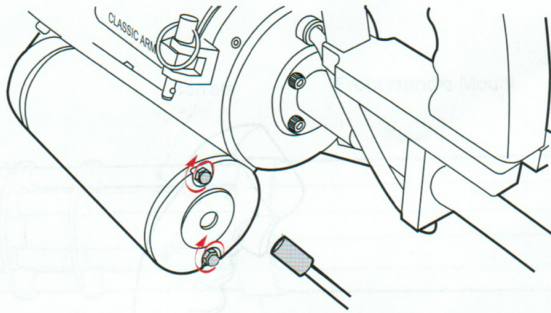
2 Insert BB into the entrance.

3 Put the Cap back on

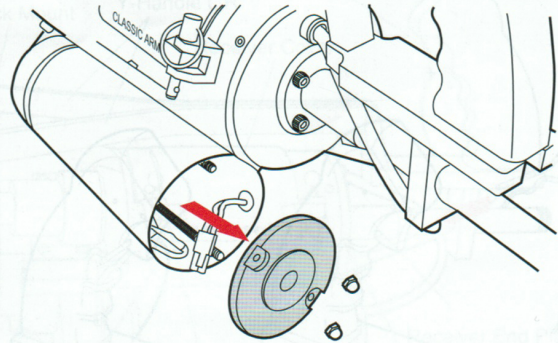


3 How to insert battery

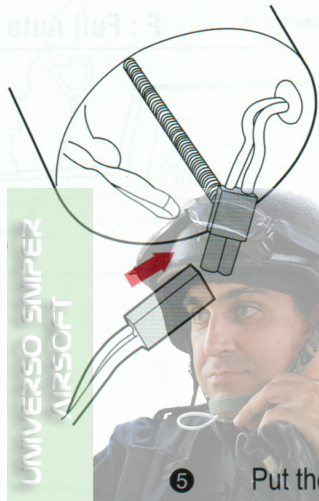
1 Remove the screws.



2 Remove the cover and pull out the connector.



3 Connect the battery to the connector.



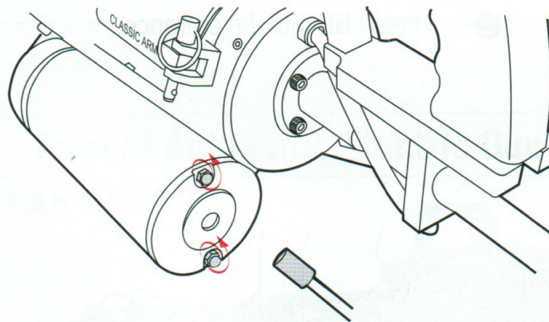
UNIVERSO SMIPER AIRSOFT

4 Place the battery into the space.

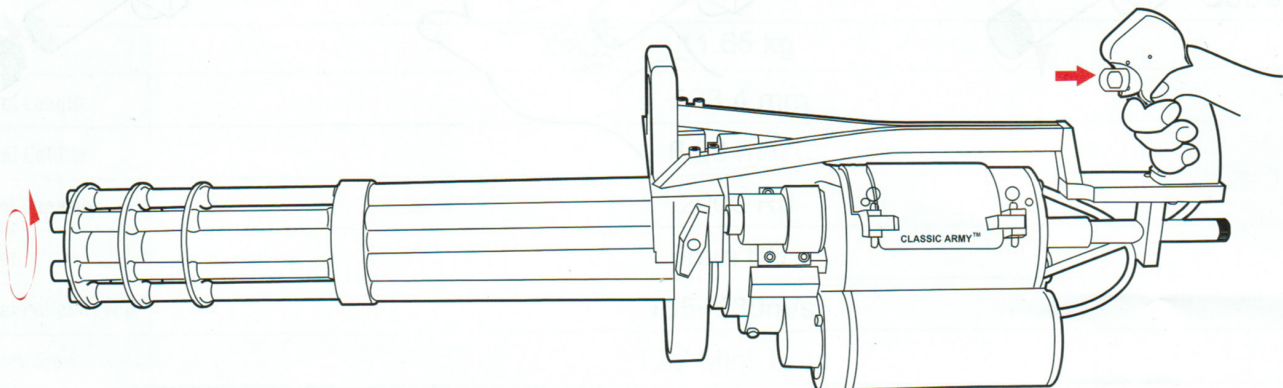


UNIVERSO SMIPER AIRSOFT

5 Put the cover back on and tighten the screw.

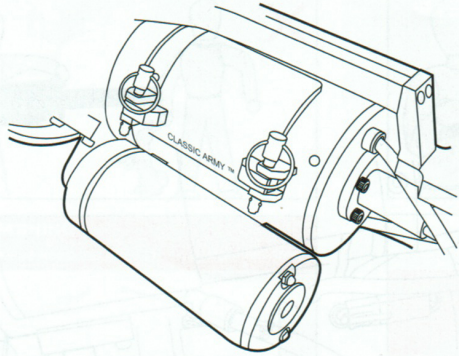


6 Press the trigger to test the rotation of the barrel. It should turn anti-clockwise.



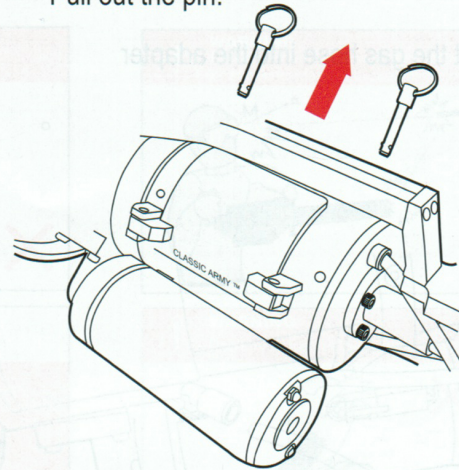
4 How to adjust the Hop-up System

1



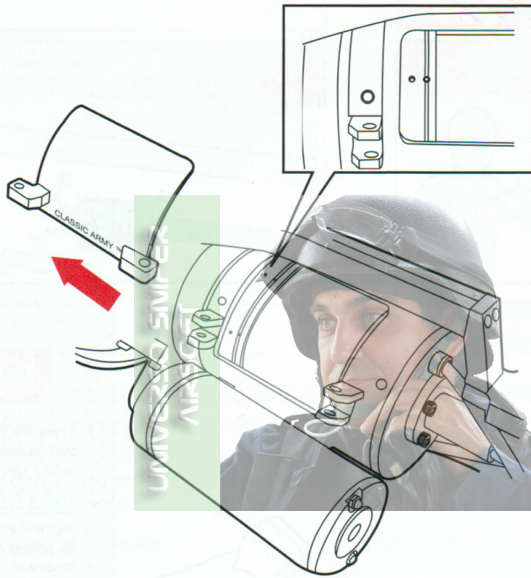
2

Pull out the pin.



3

Remove the cover .



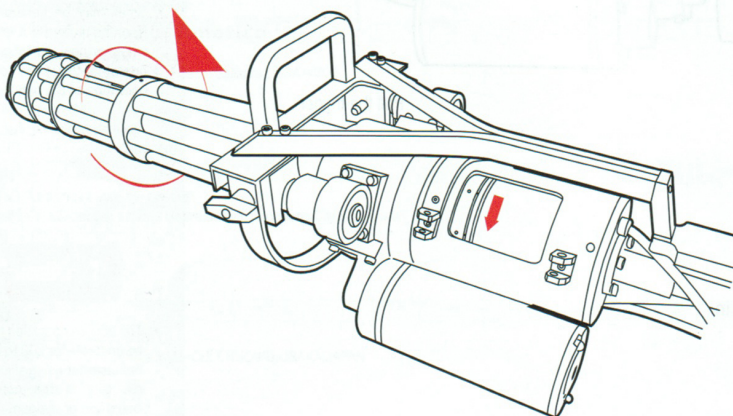
4

Ajust the hop up by turning the dial



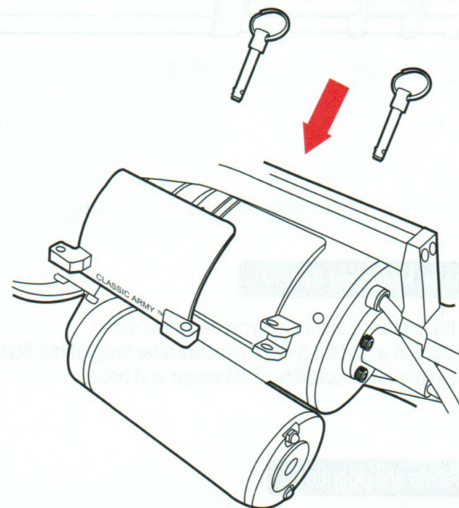
5

After adjustment turn the barrel to check if the dial is too loose.



6

Put the cover back on and lock it with the two pins.



Turning excessively will adversely affect the trajectory. Stop turning the hop up adjustment dial when pellets shoot horizontally.



Over turning towards the hop up will cause pellets to clog easily. Keep pulling the trigger with clogged pellets will damage the piston and gears.

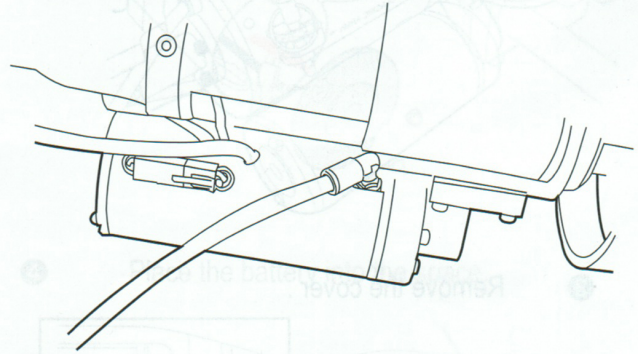
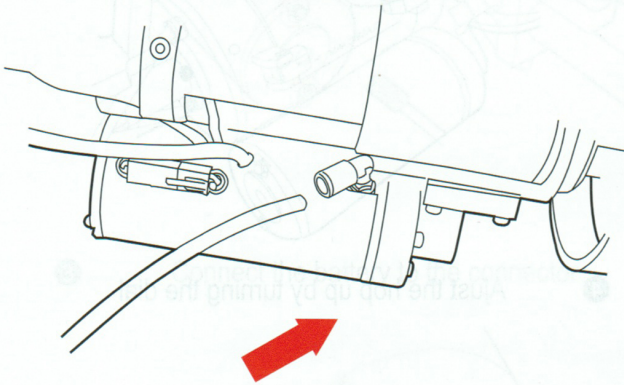


Be careful with your fingers.

5 Gas Injection

1 Put the gas hose into the adapter

2 The procedure is completed

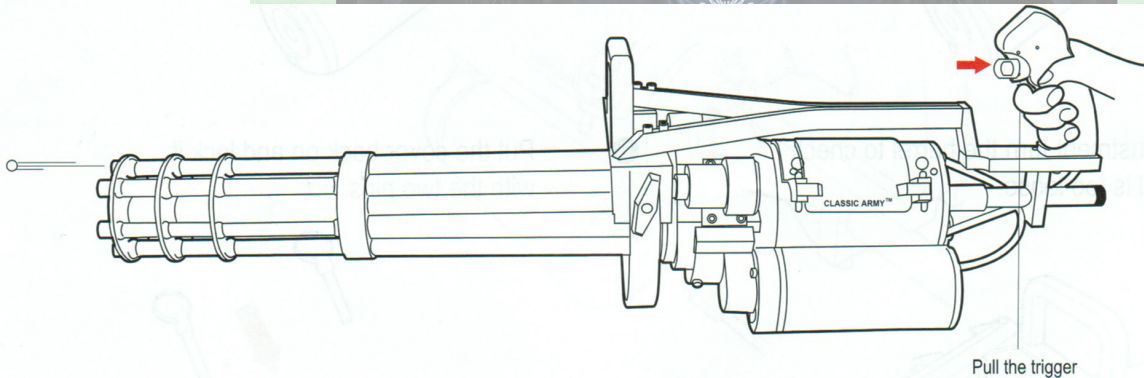


6 How to fire

UNIVERSO SIMPER AIRSOFT



UNIVERSO SIMPER



- There are possible cases that no firing occurs after pulling the trigger in the semi auto mode. In this case, do not pull the trigger furiously. Fire 5 to 10 pellets in the full auto mode and then return to the semi auto mode.



- Smell may be generated from the motor for a while when a new air gun is operated, this is the normal operation of the gun.

Cautions on Motor and Battery

Change the battery if the firing cycle becomes slow.
Give the air gun a rest for 5 to 10 minutes after firing about 500 pellets in order to ensure high durability of the motor and battery.

When pellets are clogged

If pellets are clogged, remove them and apply a few drops of silicone oil into the chamber from the magazine entrance as shown or spray silicone oil for 0.5 to 1 sec, to obtain smooth continuous firing (Never use CRC-556 or other mineral oil)



- The hop up operation may be unstable for 200 to 300 pellets after using silicone oil, this is the normal operation of the gun.

8 WARNING

WARNING
Never point the muzzle at people or animals.

WARNING
Never load the rifle if you don't intend to fire it.

WARNING
Please remember to wear protective glasses or shooting glasses to protect the eyes

WARNING
Please keep the rifles far away from children

WARNING

Always read this manual before use.

WARNING
Don't try to look at the muzzle directly.

WARNING
Always detach the and battery from the gun during storage

WARNING
Don't hang your finger on the trigger if you are not shooting.

WARNING
Always use new pellets with high quality. Never use pellets that has already been fired.

In no event shall Classic Army or any of our partners be liable for any direct or indirect, special, incidental, or consequential damages in connection with the use of our products.

9 For complete product information, dealer locations and technical support, please visit the website of Classic Army Sole Distributors.

Italy, San Marino Republic, Città del Vaticano, Spain (includes Andorra and Gibraltar) Portugal and Switzerland

Co. Name: Evolution International S.r.l
 Add.: Via dell' Annunziata n.31, 20121 Milan, Italy
 Tel: (39) 02 25459027
 Fax: (39) 02 25118356
 Email: info@evolution-airsoft.com
 Website: www.evolution-airsoft.com

Denmark, Sweden, Norway & Finland, France, Germany, Austria, United Kingdom, Poland, Baltic countries, Belgium, Luxembourg, the Czech Republic and Slovakia

Co. Name: ActionSportGames A/S
 Add.: Bakkegaardsvej 304, DK-3050 Humlebaek, Denmark
 Tel: (45) 89 28 18 88
 Fax: (45) 49 19 31 60
 Email: sales@actionsportgames.com
 Website: http://www.actionsportgames.com/

The United States of America

Co. Name: Spartan Imports, Inc.
 Add.: 213 Lawrence Avenue, S. San Francisco, California, USA 94080
 Tel: (1) 650 589 5501
 Fax: (1) 650 589 5552
 Email: info@spartanimports.com
 Website: http://www.spartanimports.com/

Taiwan

Co. Name: F-Links Int'l Enterprise Co. Ltd.
 Add.: No.3 Lane 62, Jianguo 1st Rd., Lingya District, Kaohsiung City 802, Taiwan, R.O.C.
 Tel: (886) 7-710 0198
 Fax: (886) 7-710 0398
 Email: kssa.kssa@msa.hinet.net
 Website: http://www.soloman.com.tw/

Japan

Co. Name: Union Fire Company (UFC)
 Add.: 542-0067, 6-10-101 · MATSUYAMACHI, CHUO-KU, OSAKA, JAPAN
 Tel: +81-6-4304-7750
 Fax: +81-6-4304-7799
 Email: ufctrading@ufc-web.com
 Website: http://www.ufc-web.com/

Ukraine

Co. Name: Vizantya-1
 Add.: Kiev Av. A. Navoi, 76, Ukraine
 Tel: (380)44 4084369
 Fax: (380)44 4080633
 Email: vizantya_1@svitonline.com
 Website: http://www.militarist.com.ua/

UNIVERSO SMIPER
AIRSOFT



UNIVERSO SMIPER
AIRSOFT

www.classicarmy.com info@classicarmy.com



WARNING

- FOR AGE 18 OR ABOVE.
- PLEASE READ THE INSTRUCTIONS CAREFULLY BEFORE USE.
MISUSE OR CARELESS USE MAY CAUSE SERIOUS INJURY.
- USER SHOULD OBEY TO THE LAWS REGARDING THE USAGE AND OWNERSHIP
OF AIRSOFT ELECTRIC GUNS.
- FACIAL PROTECTION IS REQUIRED.

Produced By Classic Army, Hong Kong

2009-12-21 Edition 1 Yick Funa Ind. Int'l Ltd. All Rights Reserved

Ad.max.67