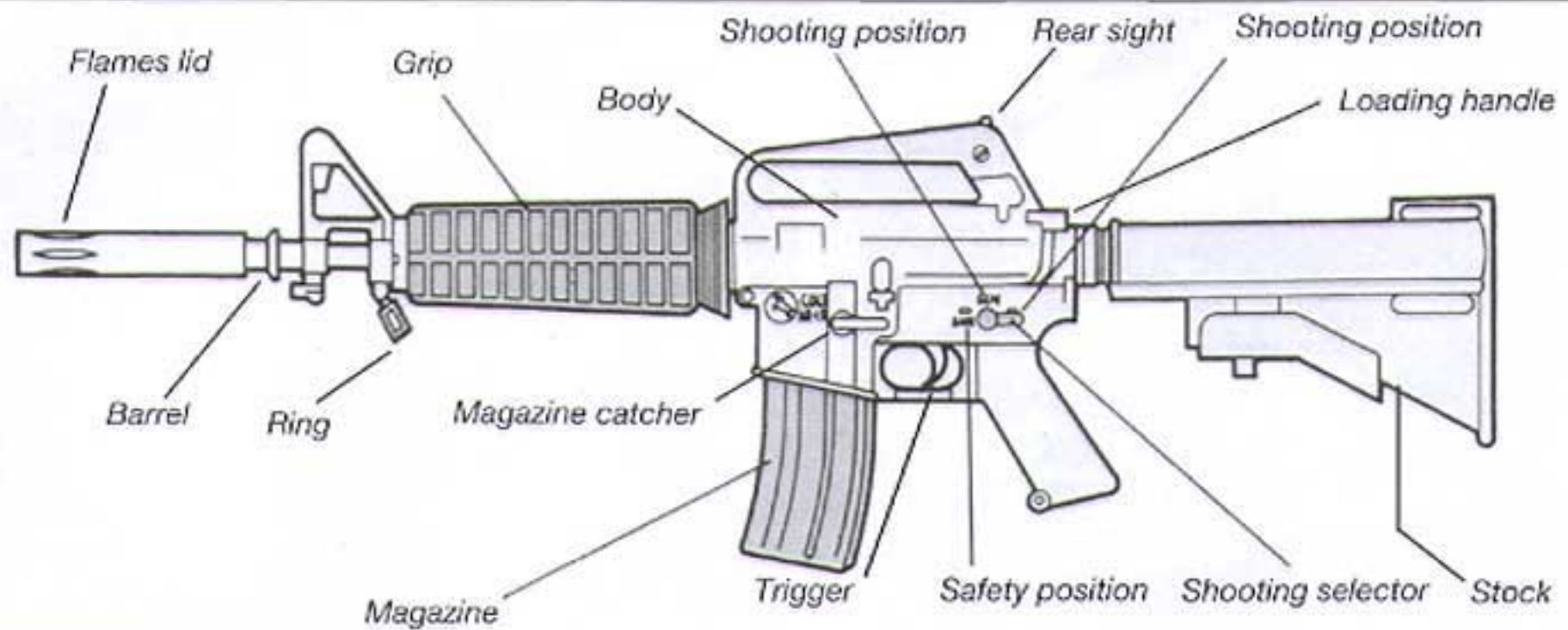
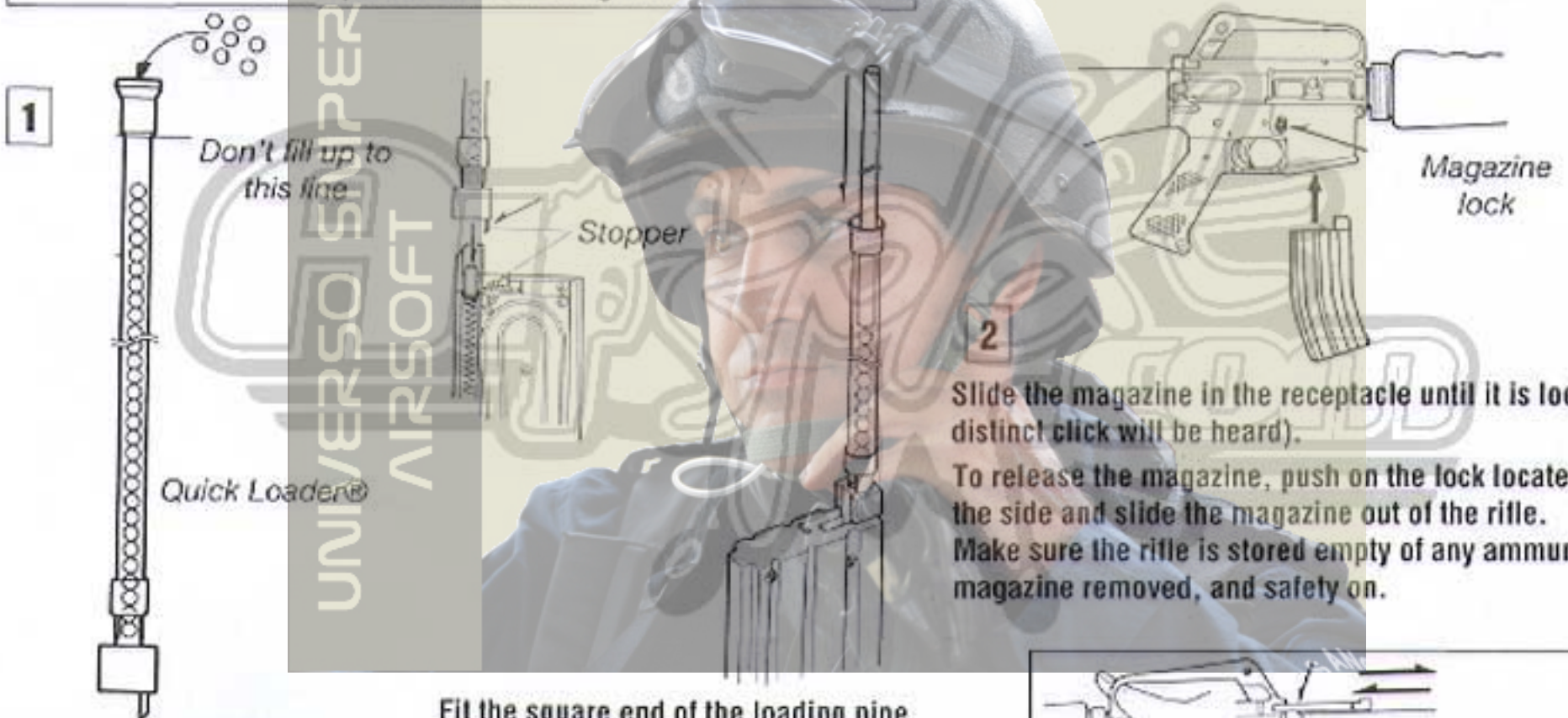


**THIS GUN CAN EXPEL METALLIC PROJECTILES OR SPOT MARKERS SUCH AS 6 MM PAINTBALLS THROUGH THE FORCE OF AIR PRESSURE.**

**CAUTION: never aim at a person. Wear protective goggles. Read instruction manual.**



You can put 50 bbs in the magazine.



**1** Fill the loading pipe with the appropriate 6 mm plastic BBs. Works best with Cybergun's BBs item # 71050 !

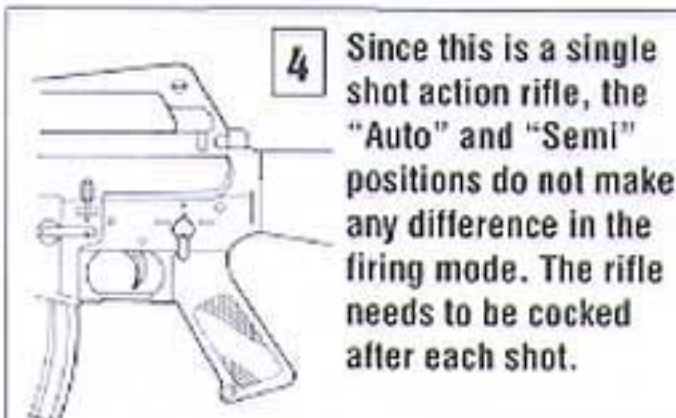
Don't fill up to this line

Stopper

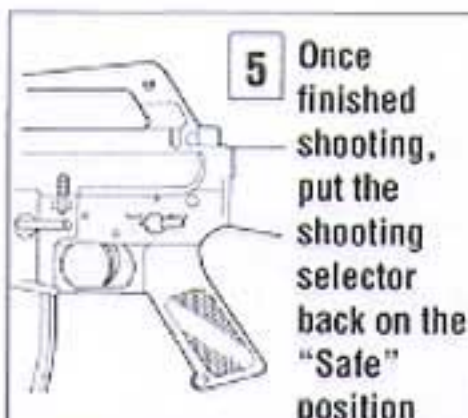
Fit the square end of the loading pipe to the top of the magazine. It should adjust tightly. Using the rod provided, gently push all the BBs into the magazine.

**2** Slide the magazine in the receptacle until it is locked (a distinct click will be heard).

To release the magazine, push on the lock located on the side and slide the magazine out of the rifle. Make sure the rifle is stored empty of any ammunition, magazine removed, and safety on.



**4** Since this is a single shot action rifle, the "Auto" and "Semi" positions do not make any difference in the firing mode. The rifle needs to be cocked after each shot.



**5** Once finished shooting, put the shooting selector back on the "Safe" position



**3** In order to load the chamber, pull firmly the loading handle back until a click is heard, then release. At this stage your softair rifle is loaded. All safety rules must apply among which: do not aim at a person or a hard surface.

To start shooting, aim at a target, put the safety on the "semi" or "auto" position (this rifle is a single shot action and requires loading after each shot). Pull the trigger.