

# 電動氣彈槍

FULL · SEMIAUTO

# CM.122

請仔細閱讀說明書



**在操作之前必需读熟这些说明书**  
Always read through this manual before operation.

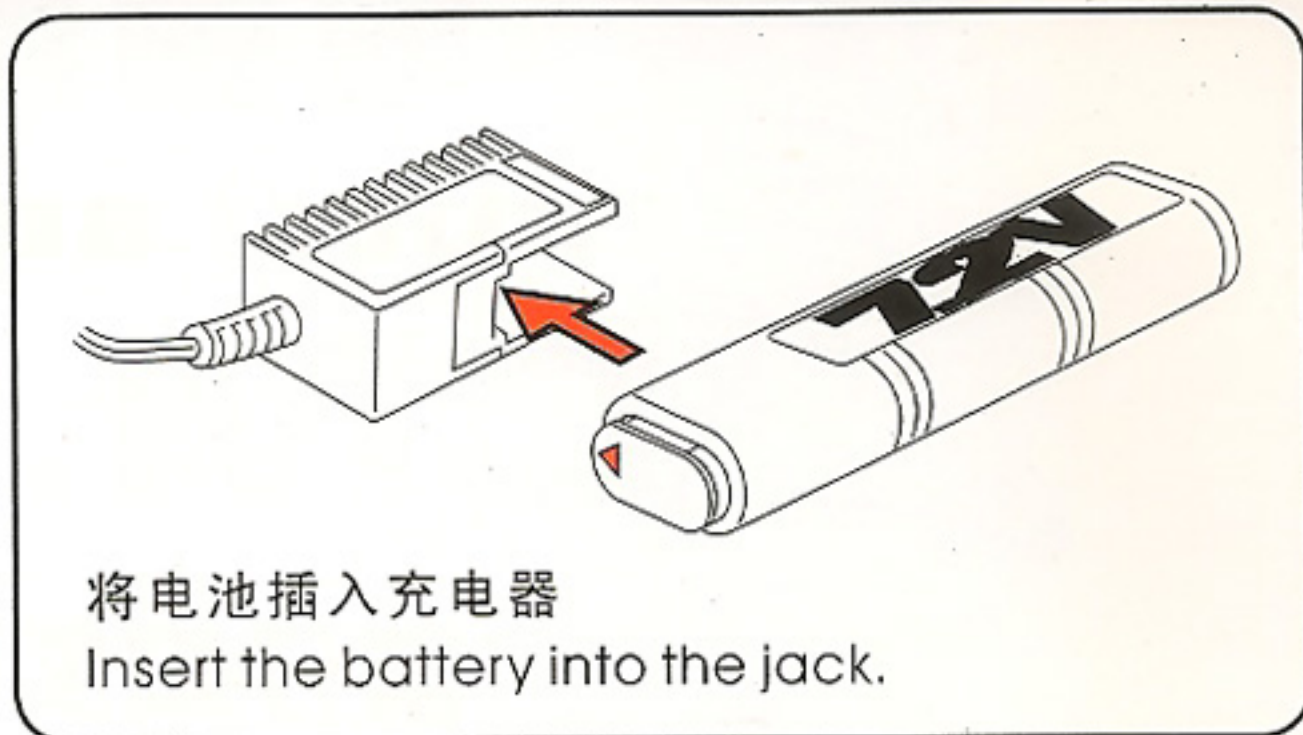
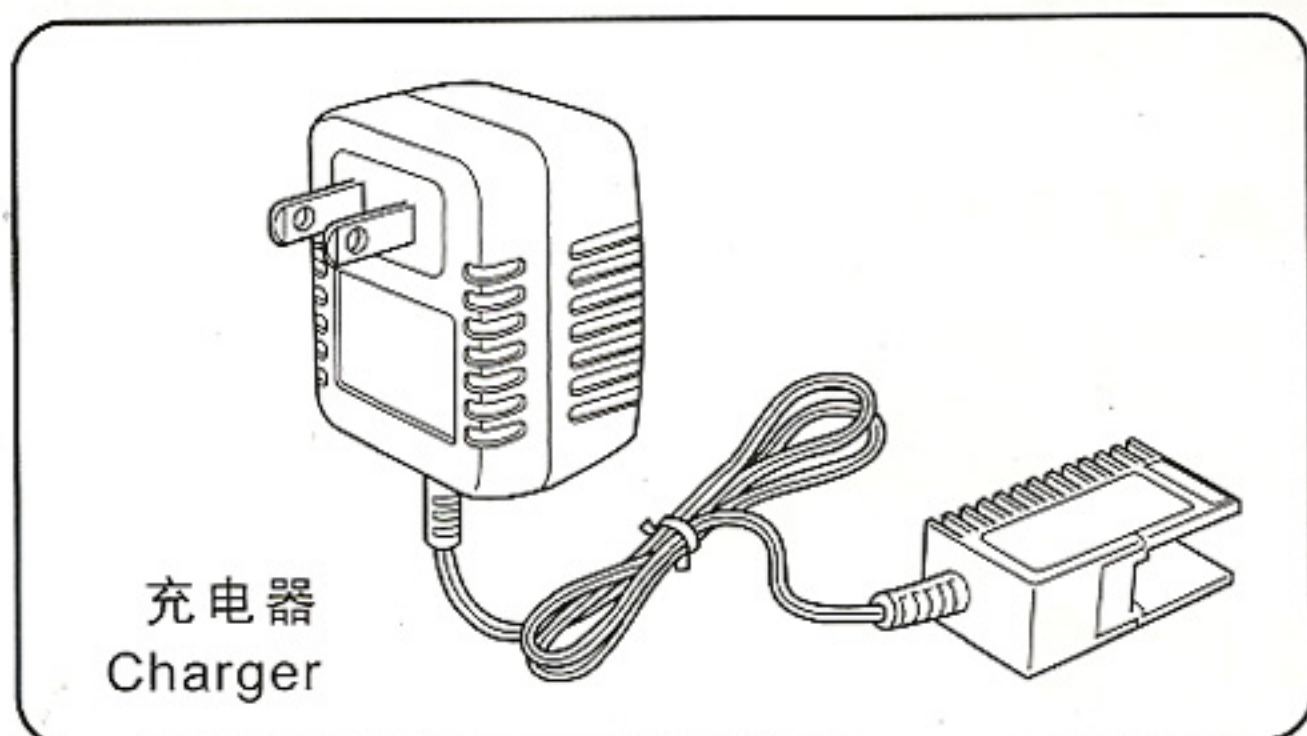


## 警告 WARNING

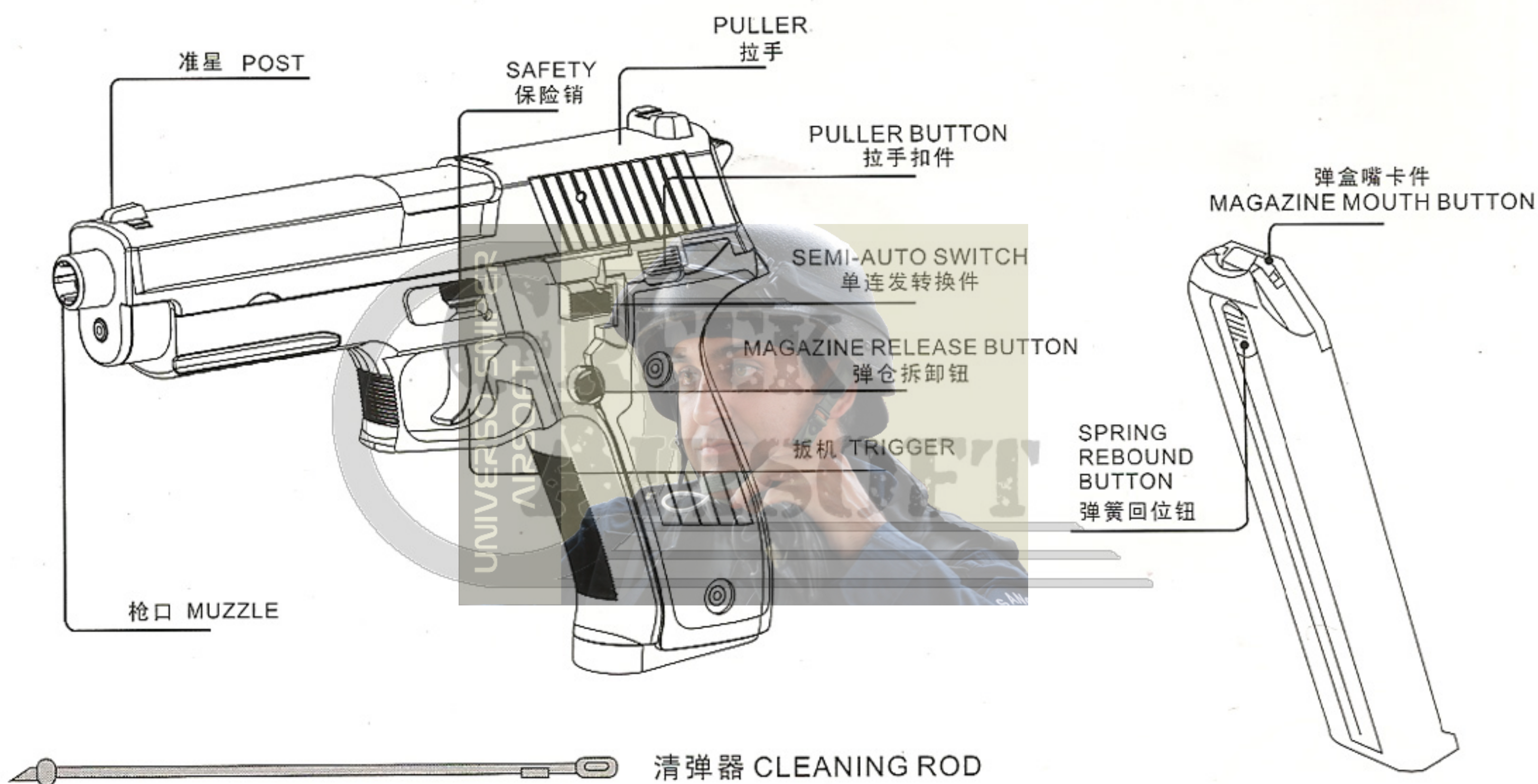
	18岁以上年龄才能使用 Only for 18 years of age or older	18岁以上年龄才能利用这支汽枪比赛使用 Operation of this air gun for competition use is restricted to users of 18 years of age or older.
	注意受损伤 Injury caution	因为BB弹能达到50-60米范围, 不小心的射击将可能导致眼睛受损伤或其它伤害。 Since plastic BB bullets reach 50 to 60 meters, careless shooting may cause eye damage or other injuries.
	注意熟读警告指示手册 Careful reading of Handling cautions and Instruction manual	在操作之前要细心读熟警告手册和指示手册操作汽枪时必须认识好警告指示 Always read through this HANDLING CAUTION AND INSTRUCTION MANUAL carefully before operation. Operate the air gun with full recognition of warnings and cautions.

## FOR AGES: 18 AND UP

# 电池与充电器 ACCUMULATOR AND CHARGER

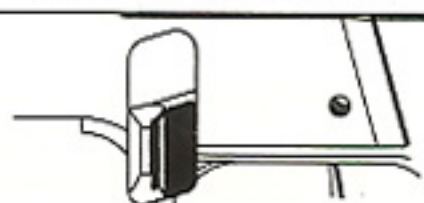


## 1 各部件名称 NAME OF EACH PARTS

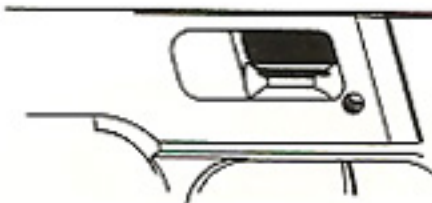


## 2 保险销 SAFETY

● KEEP THE SAFETY AT "SAFE POSITION" WHEN THE GUN IS UNUSED.



安全位置  
SAFE POSITION

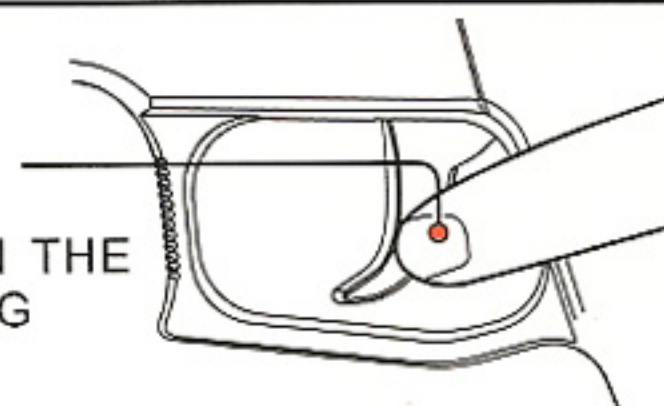


射击位置  
SHOT POSITION

● USE THE FIRST FINGER TO PULL THE TRIGGER

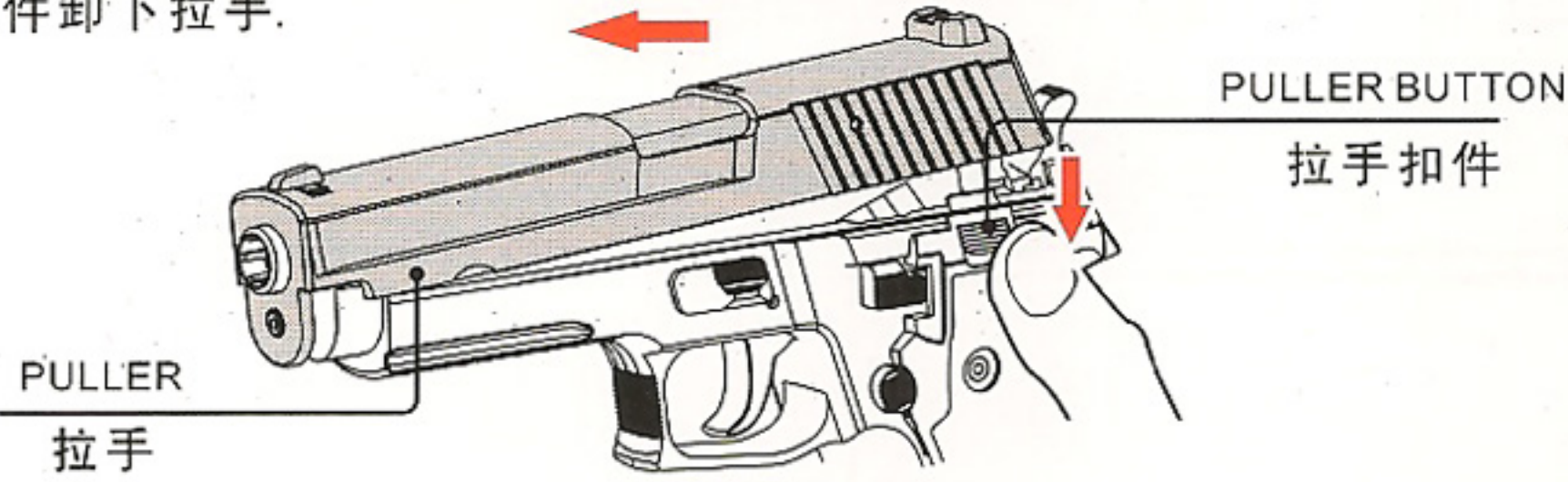
用食指扳动扳机

NEVER PUT THE FINGER ON THE TRIGGER BEFORE SHOOTING  
射击前切勿将手指放在扳机上。



### 3 装电池 INSTALL THE BATTERY

- ① Press the puller button to unload down the puller.  
用手指按下拉手扣件卸下拉手。



- ② Load the full-charged battery in to its position.  
将充好电的电池装上。



- ③ Fix on the puller reversely to step ①.  
将拉手按①反向操作装回拉手。



### 4 单发\连发 SINGLE \ RUNNING SHOOT



Single shoot position < ● >

单发位置



Single shoot: the button point upward, one bullet shoot out one time.

单发: 将按钮拨向单发位置, 射击时每次只发一弹

running shoot position < ● ● >

连发位置

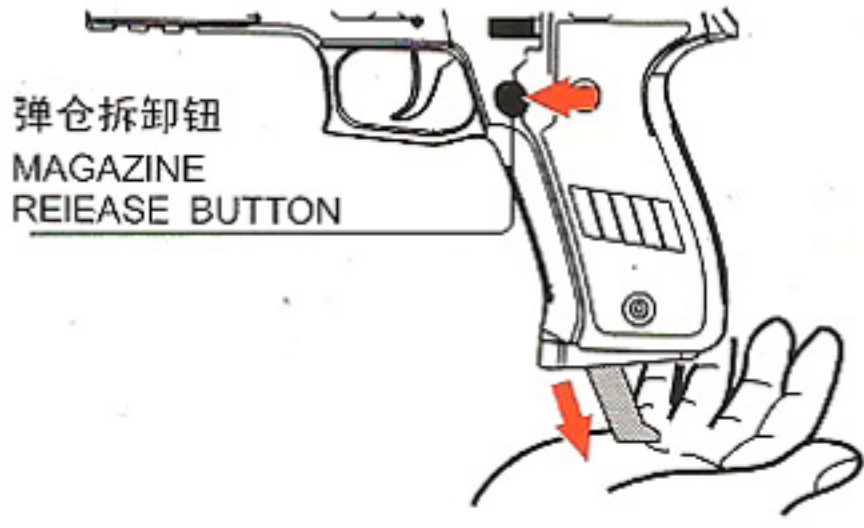


a running shoot: the button point downward, more bullets shoot out one time.

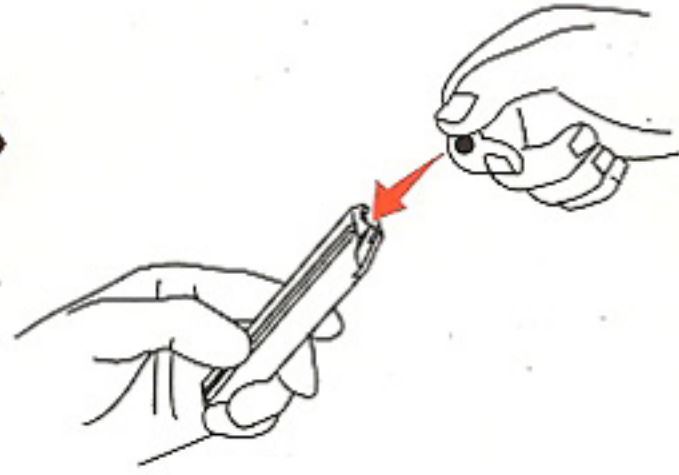
连发: 将按钮拨向连发位置, 射击时可连续发射多弹

# 5 安装\拆卸弹仓 INSTALL\DISASSEMBLE THE MAGAZINE

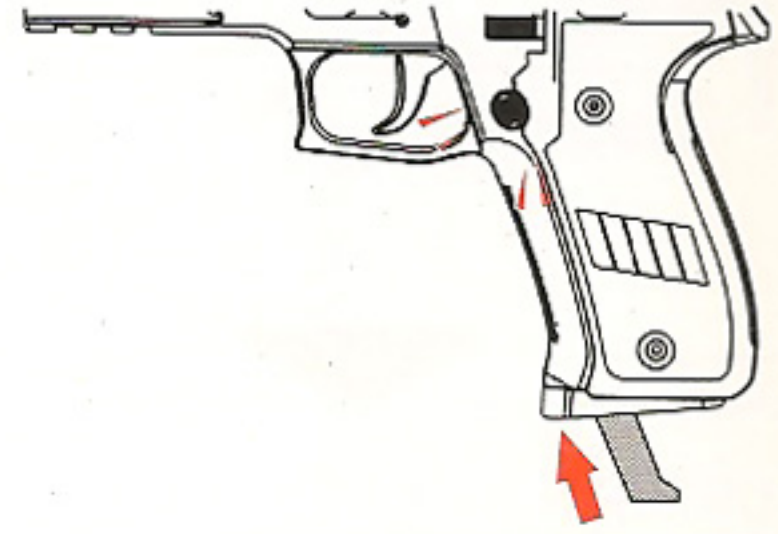
① PRESS THE MAGAZINE RELEASE BUTTON TO RELEASE THE MAGAZINE.  
按住弹仓拆卸钮拆卸弹仓。



② LOAD 6MM BB BULLETS INTO THE MAGAZINE.  
装入6MM bb弹。



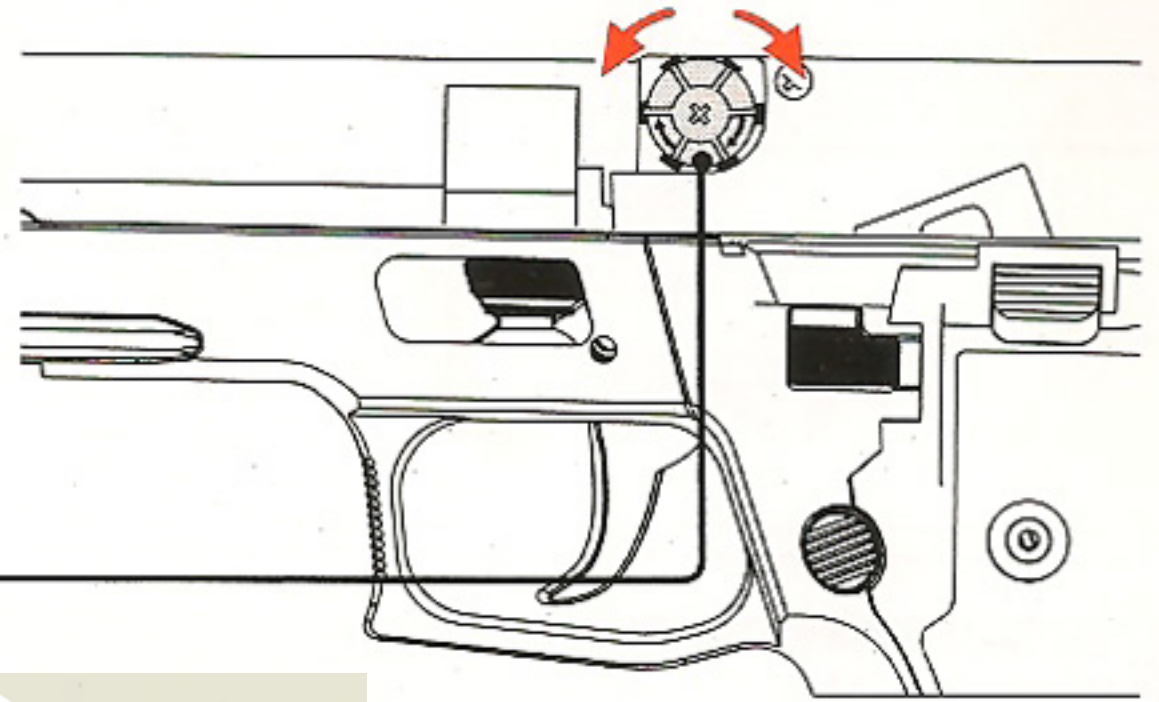
③ PUSH THE MAGAZINE INTO THE GUN TILL A CLICK SOUND HEARD.  
将弹仓推入枪身直至听到“喀嚓”一声。



● Adjust the parabola direction with HOP-UP.

通过调节HOP UP调节钮  
调节抛物线的方向

THE PARABOLA  
REGULATE BUTTON  
抛物线调节钮



● The best position is where the bullets fly horizontally, and the longest range is obtained.

保持水平方向的射击能够使BB弹获得最远射程。



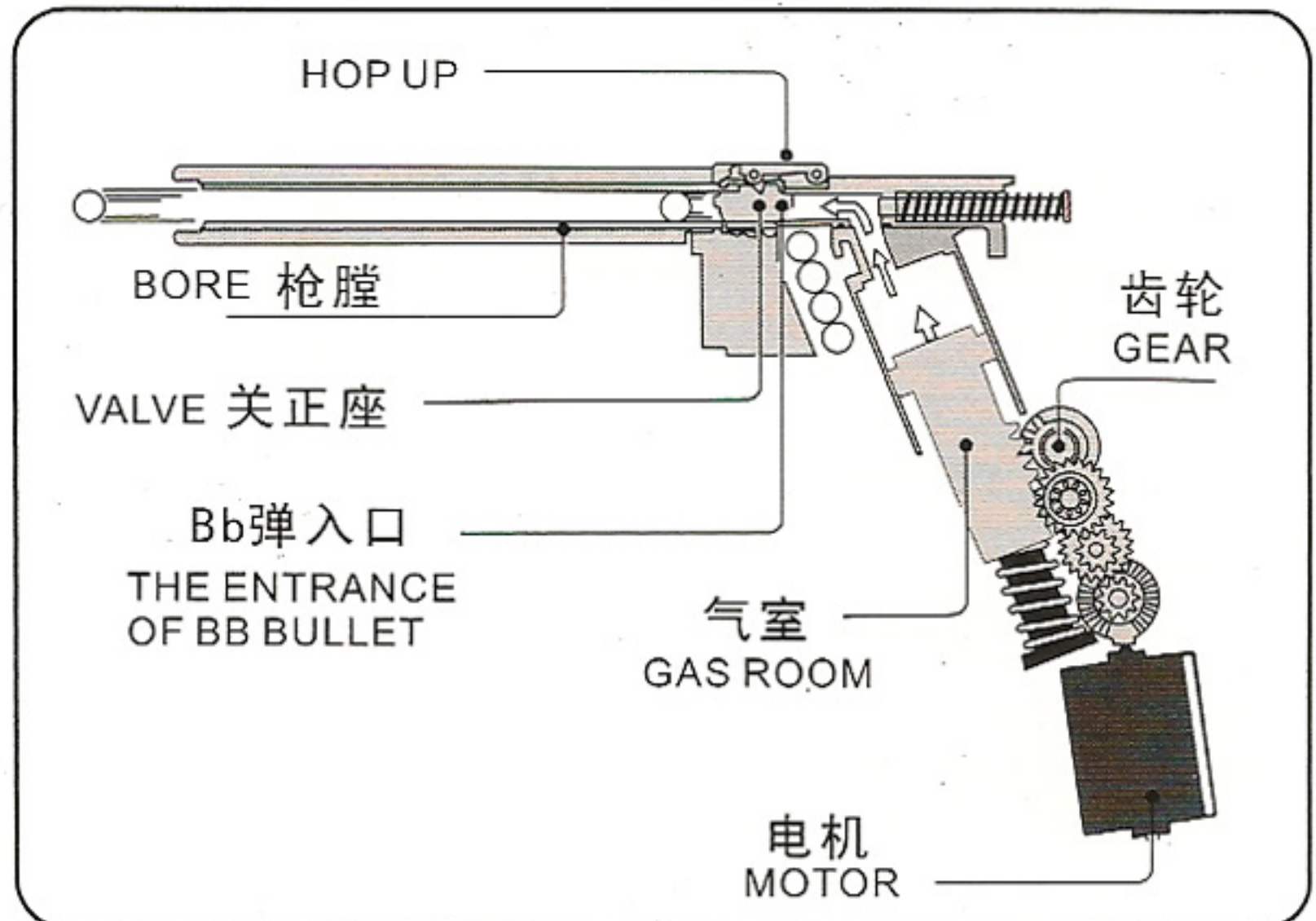
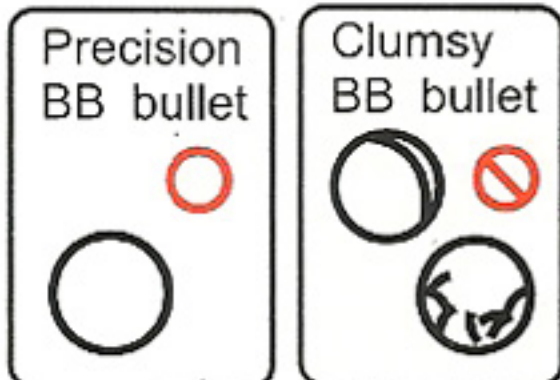
## 警告·注意

● Our company will not be responsible for trouble caused by using the bullet produced by other company.

我公司不对使用其它公司BB弹产品而引起的事故负责。

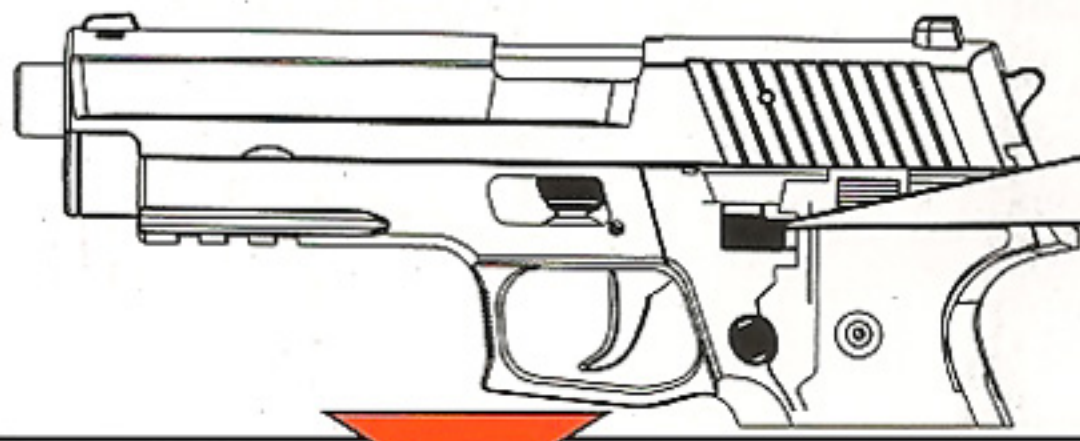
● The bunglesome bb bullet is damage with the gun. Please use the precision bb bullet of our company.

拙劣的BB弹会对枪支造成严重损害, 请使用我公司的标准BB弹系列产品。



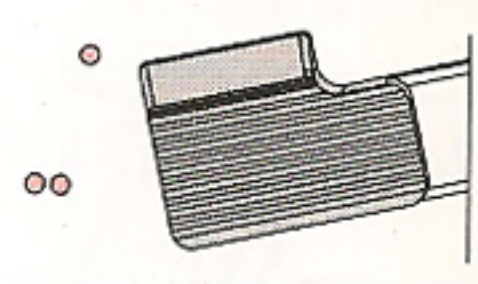
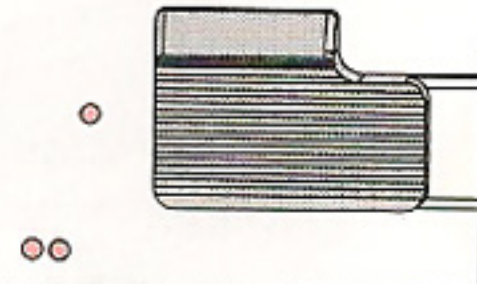
## 6 射击 SHOT

- ① Set semi-auto switch in semi or auto position.  
将单连发转换件拨在单发或连发位置。

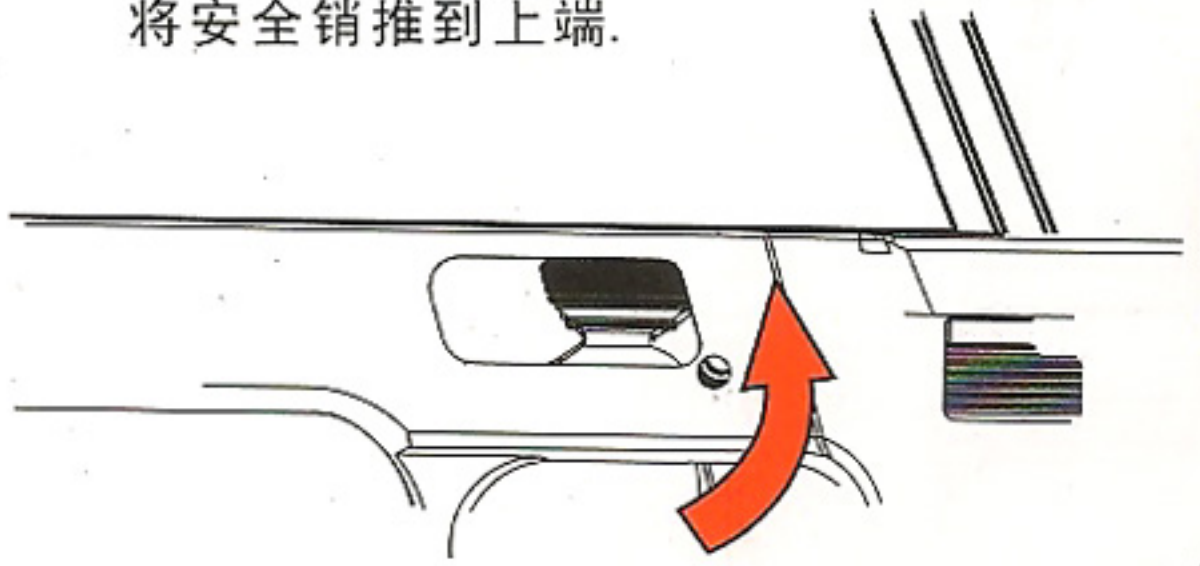


SINGLE SHOT

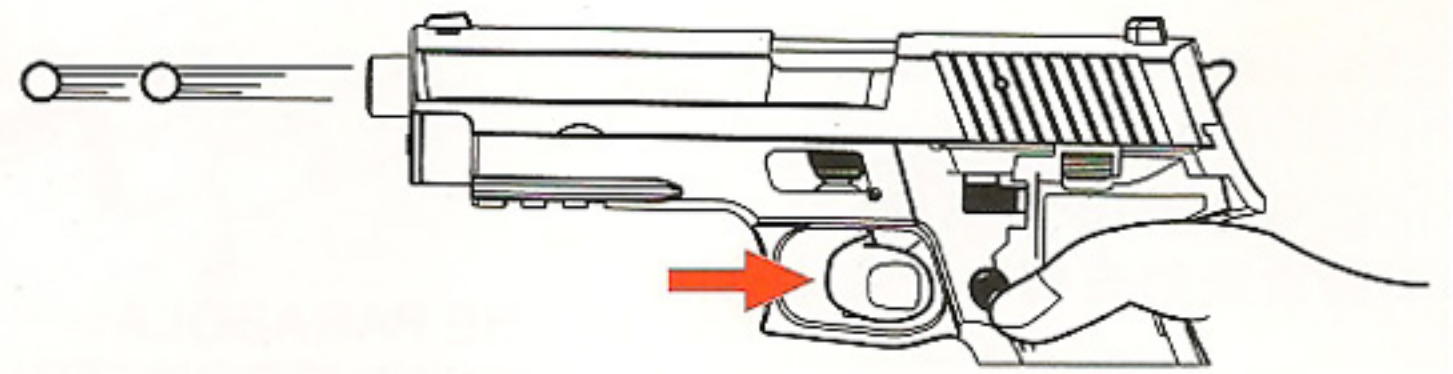
RINNING SHOT



- ② PUSH THE SAFETY TO THE TOP.  
将安全销推到上端。

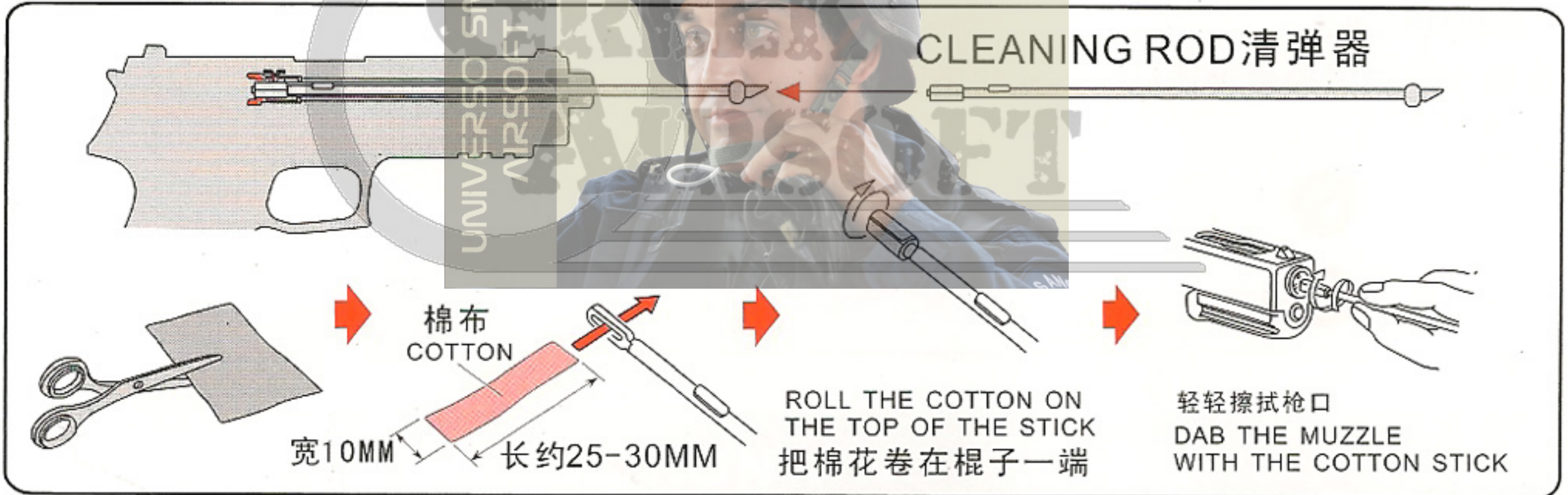


- ③ PULL THE TRIGGER TO SHOT.  
扣动扳机射击。



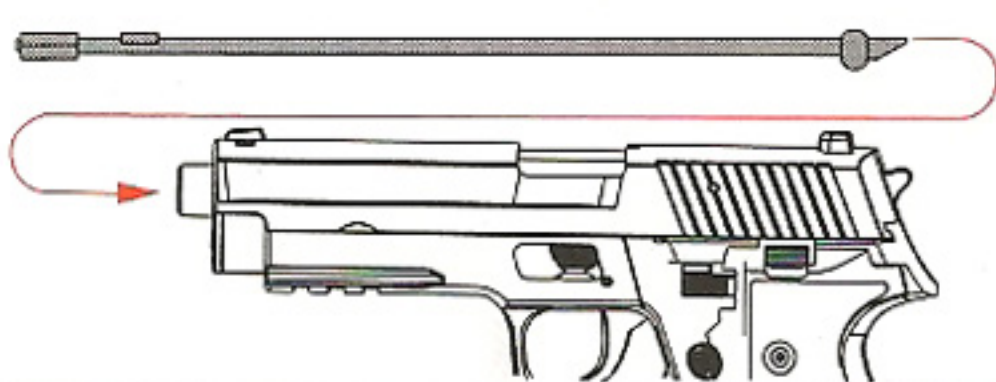
## 7 清除阻塞BB弹 REMOVE CLOGGED BULLETS

- 1 清通枪膛 CLEAN THE BORE

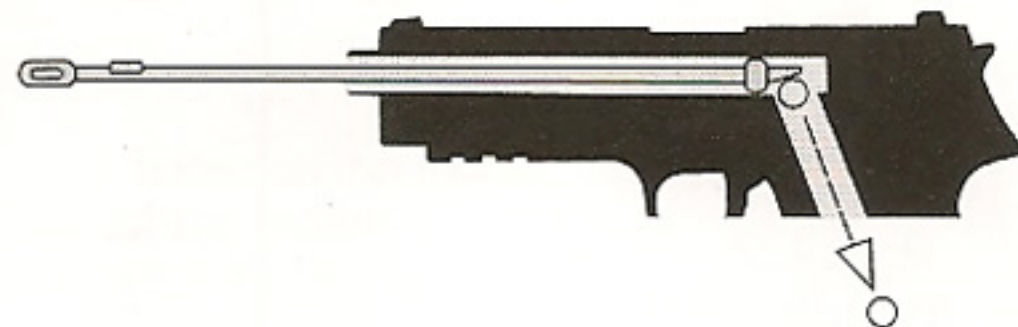


- 2 清除阻塞BB弹 REMOVE CLOGGED BULLETS

- ① Unload the magazine, insert rod into the barrel as picture showing.  
退出弹盒, 将清弹器如图所示沿枪口插入。



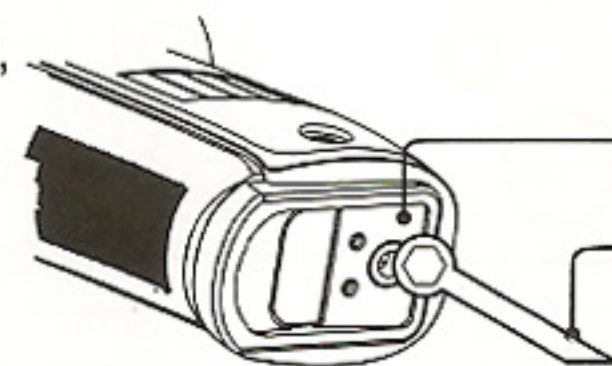
- ② REMOVE THE CLOGGED BULLETS.  
清除阻塞的BB弹。



- 3 电机的微调 ELECTRICAL ENGINEERING OF TINY ADJUST

ONLY WHEN THE MOTOR NOISE BECOMES HIGH AFTER OPERATIONS FOR ALONG PERIOD OF TIME, CONDUCT THE FINE ADJUSTMENT AS SHOWN.

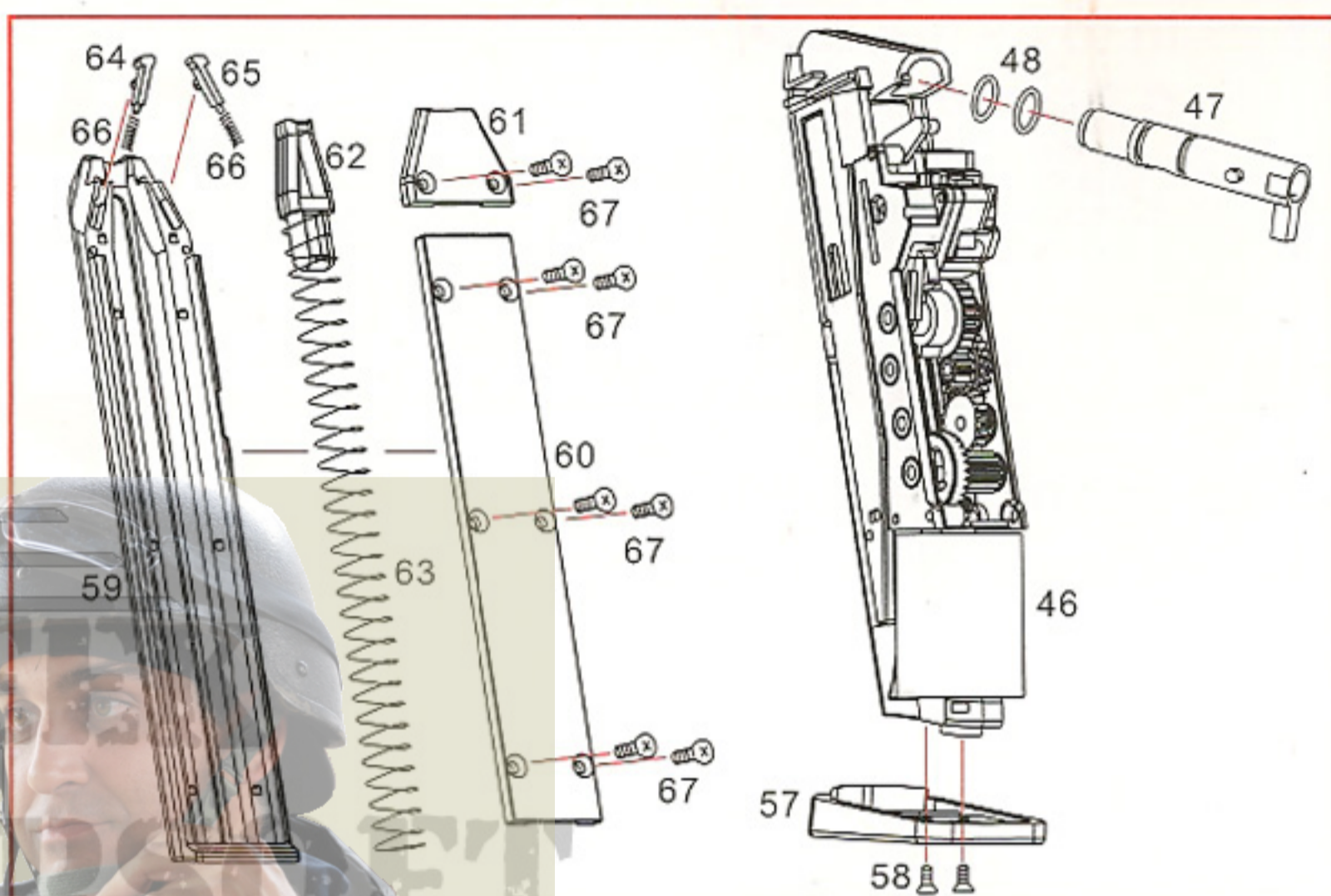
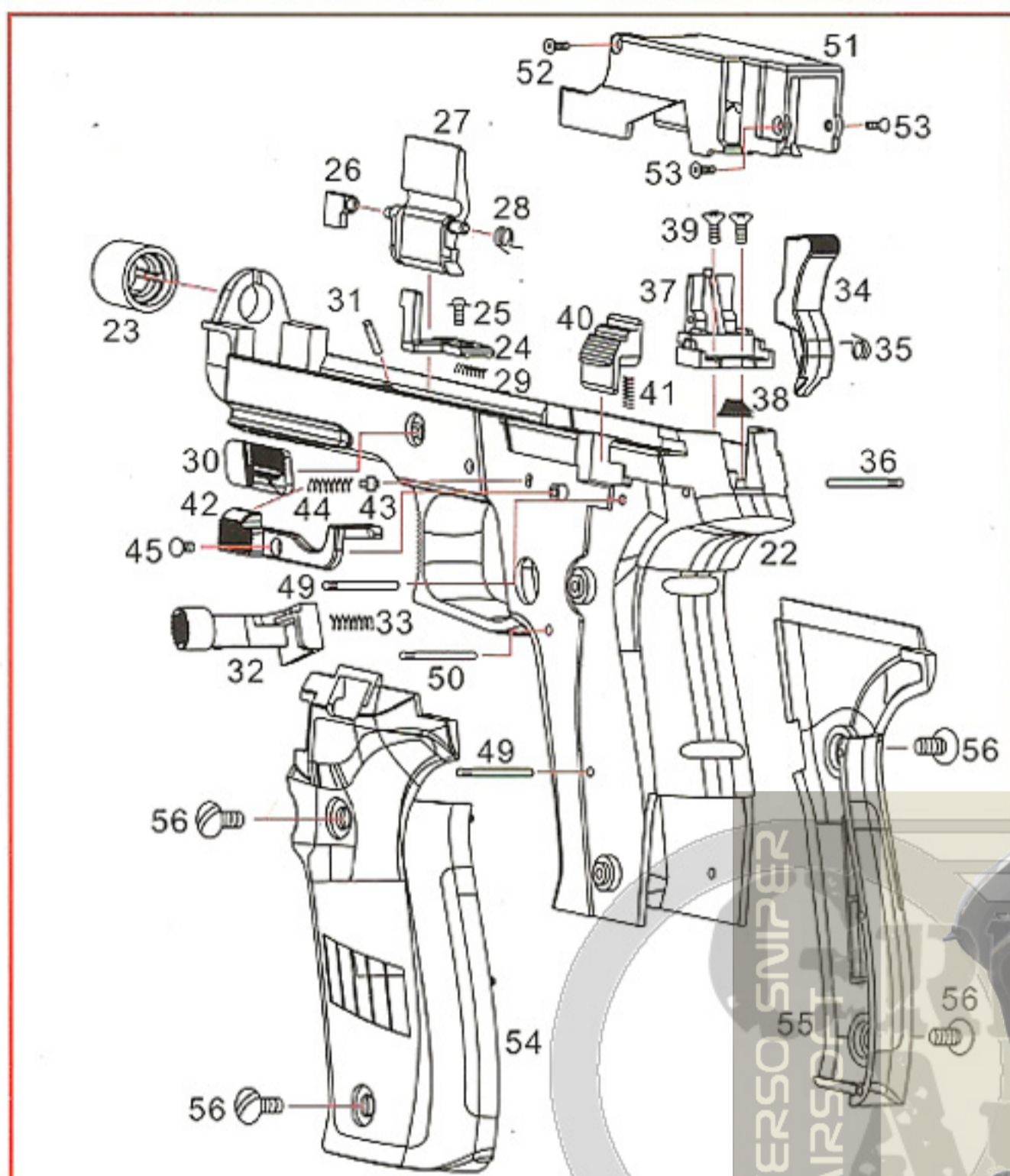
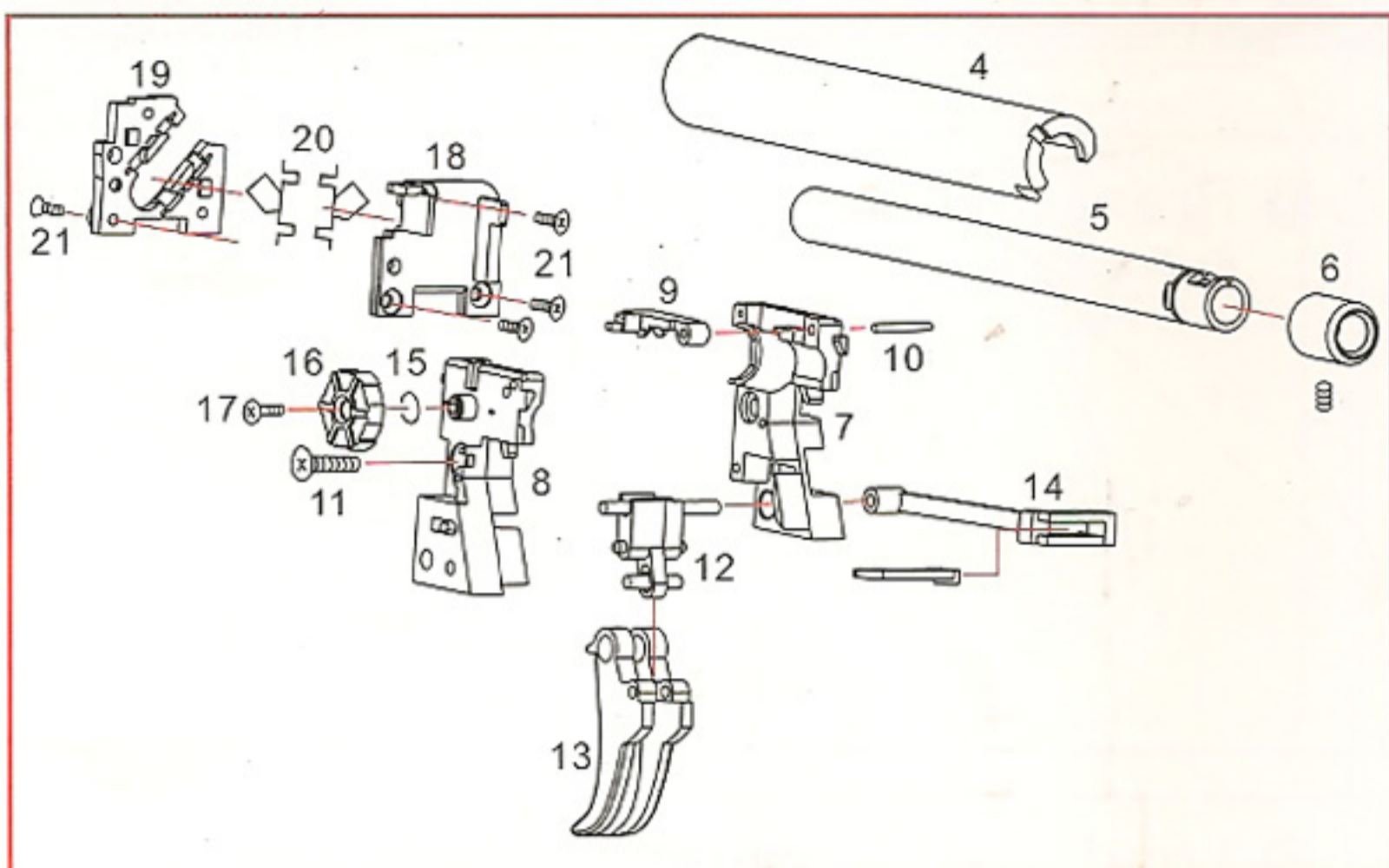
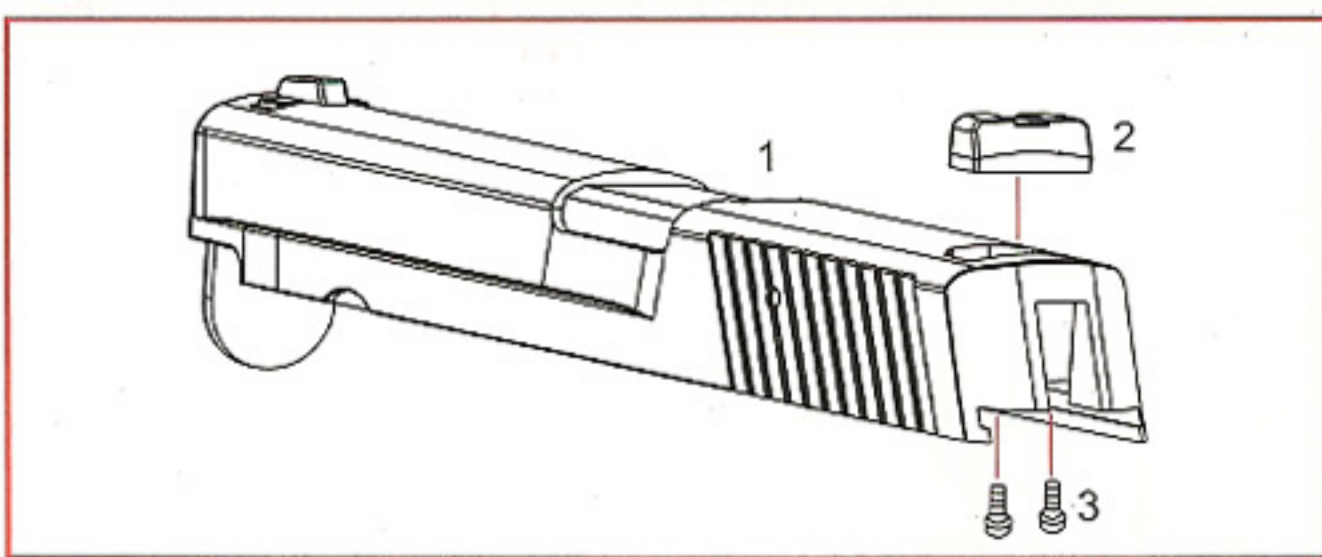
若使用时间过长, 电机发出很大的噪音时, 请按如图所示对电机进行微调。



COVER 盖子

HEXAGON RING SPANNER  
内六角扳手

# THE COMPOSITION OF CM.122



- |    |                |                           |
|----|----------------|---------------------------|
| 1  | 拉手             | Puller                    |
| 2  | 后准星            | Rear sight                |
| 3  | Ø2X4 PWBHO     | Ø2X4 PWBHO                |
| 4  | 枪管盖            | Barrel cover              |
| 5  | 枪内管            | Inner barrel              |
| 6  | 橡胶过只           | Hop-up rubber             |
| 7  | 右过只座           | Right hop-up base         |
| 8  | 左过只座           | Left hop-up base          |
| 9  | 过只调节片          | Hop-up adjust             |
| 10 | Ø1.5X12.5 花轴   | Ø1.5X12.5 shaft           |
| 11 | M3X10KMHO      | M3X10KMHO                 |
| 12 | 拉杆传动件          | Sliding handle driver     |
| 13 | 扳机             | Trigger                   |
| 14 | 拉杆+离合片         | Driving lever+clutch      |
| 15 | Hop up 调节“O”型圈 | Hop up “O” type rubber    |
| 16 | Hop up 调节钮     | Hop-up adjust button      |
| 17 | M2X5 KMHO      | M2X5 KMHO                 |
| 18 | 电池座底座          | Battery base              |
| 19 | 电池座盖           | Battery cover             |
| 20 | 电池座铜片          | Battery base copper slice |
| 21 | Ø2X5 KBHO      | Ø2X5 KBHO                 |
| 22 | 主体             | Gun body                  |
| 23 | 枪头             | Gun tip                   |
| 24 | 保险件            | Safety                    |
| 25 | Ø2.3X5 PWBHO   | Ø2.3X5 PWBHO              |
| 26 | 电池卸座扣件         | Unload battery button     |
| 27 | 电池卸件           | Battery release           |
| 28 | 扭簧             | Spring                    |
| 29 | 压簧             | Spring                    |
| 30 | 保险传动件          | Safety driver             |
| 31 | Ø1.5X10 花轴     | Ø1.5X10 shaft             |
| 32 | 弹匣按键           | Magazine button           |
| 33 | 压簧             | Spring                    |
| 34 | 击锤             | Gun body release button   |

- |    |             |                        |
|----|-------------|------------------------|
| 35 | 击锤扭簧        | Spring                 |
| 36 | Ø2X25 花轴    | Ø2X25 shaft            |
| 37 | 膛后座         | Loading rear base      |
| 38 | 塔形压簧        | Spring                 |
| 39 | 3X10 KBHO   | 3X10 KBHO              |
| 40 | 拉手扣件        | Puller button          |
| 41 | 压簧          | Spring                 |
| 42 | 单连发转换件      | Auto-semi chager       |
| 43 | 保险限位粒       | Safety localized block |
| 44 | 压簧          | Spring                 |
| 45 | Ø2X4 PWBHO  | Ø2X4 PWBHO             |
| 46 | 保箱          | Gear box               |
| 47 | 上膛套件        | Loading sets           |
| 48 | 膛套“O”型圈     | O type ring            |
| 49 | Ø2X29 花轴    | Ø2X29 shaft            |
| 50 | Ø2X31.5 花轴  | Ø2X31.5 shaft          |
| 51 | 过只罩         | Hop-up cover           |
| 52 | M2X8 KMHO   | M2X8 KMHO              |
| 53 | M2X5 KMHO   | M2X5 KMHO              |
| 54 | 左贴片         | Left grip cover        |
| 55 | 右贴片         | Right grip cover       |
| 56 | Ø4X4.5 TBHO | Ø4X4.5 TBHO            |
| 57 | 手把下盖        | Hand grip down cover   |
| 58 | M2X6 KMHO   | M2X6 KMHO              |
| 59 | 弹匣主体        | Magazine main body     |
| 60 | 弹匣盖         | Magazine cover         |
| 61 | 弹匣嘴盖        | Magazine mouth cover   |
| 62 | 升弹头         | Lifting warhead        |
| 63 | 压簧          | Spring                 |
| 64 | 左嘴卡件        | Left block             |
| 65 | 右嘴卡件        | Right block            |
| 66 | 压簧          | Spring                 |
| 67 | M2X5 KMHO   | M2X5 KMHO              |