



# STUN Grenade (Airsoft Version)

Users Restricted to  
18 Years of age or older

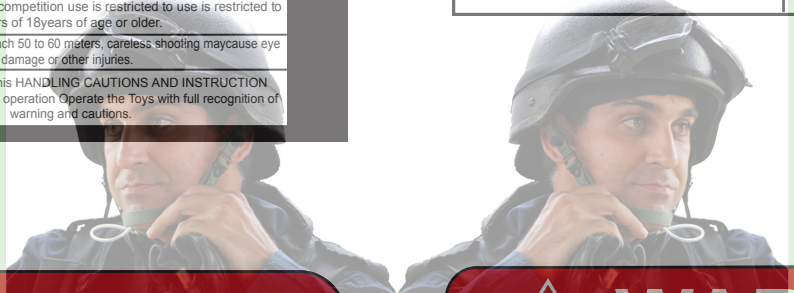


**HANDLING CAUTIONS AND INSTRUCTION MANUAL**

<b>WARNING</b>	
<b>Only for 18 Years of age or older</b>	Operation of this Toy for competition use is restricted to users of 18 years of age or older.
<b>Injury caution</b>	Since plastic BB bullets reach 50 to 60 meters, careless shooting may cause eye damage or other injuries.
<b>Careful reading of Handling cautions and Instruction manual</b>	Always read through this HANDLING CAUTIONS AND INSTRUCTION MANUAL carefully before operation. Operate the Toys with full recognition of warning and cautions.

## Deepfire Stun Grenade Series Assembly Drawing and Part List.

Descriptions	Assembly Number
Upper body	1
Lower body	2
Valve	3
Cap	4
Handle	5
Safety Key	6
Top Cover	7
Middle Cover	8
Inner Bottom Cover	9
Phonation Slice	10
Outer Bottom Cover	11



**WARNING**

This product is not suitable for children under 18 years old.

This product is designed as toy demonstrating the action of a grenade, it uses gas to push open the plastic cabinet and release powder and/or BB to the surrounding air.

We assume no responsibility, directly or indirectly, for financial losses or claims from third persons resulting from using this product.

The information in this manual is subject to change without notice.

Deep Fire has the final explanation on any dispute regarding the content of this user manual.

Never inject gas to the product before using it

**WARNING**

<p>Never use the product in a closed environment.</p>	<p>Never throw the product to any living objects.</p>
<p>Never use the product for practical joke else you could be seriously punished.</p>	<p>Never throw the product into fire source.</p>
<p>Never use the product without wearing eye and ear protection facilities.</p>	<p>Never try to modify the product; it is already tuned to optimal performance.</p>

# Deepfire Stun Toy Grenade

# Assembly and Usage:



Uninstall handle and safety key.



Roll the upper body anticlockwise to open the body



Disassemble the body by rolling the upper body anti-clockwise



Adjust the switch to control the time of explosion (Clockwise - extend the time and vice versa.



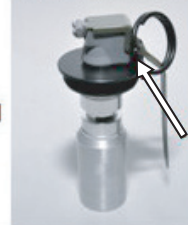
After complete will same as this picture.



Use the key to disassemble the bottom covers.



Insert CO2 for 5~7 seconds



Insert handle and safety key and assemble the body by rolling the upper body clockwise.



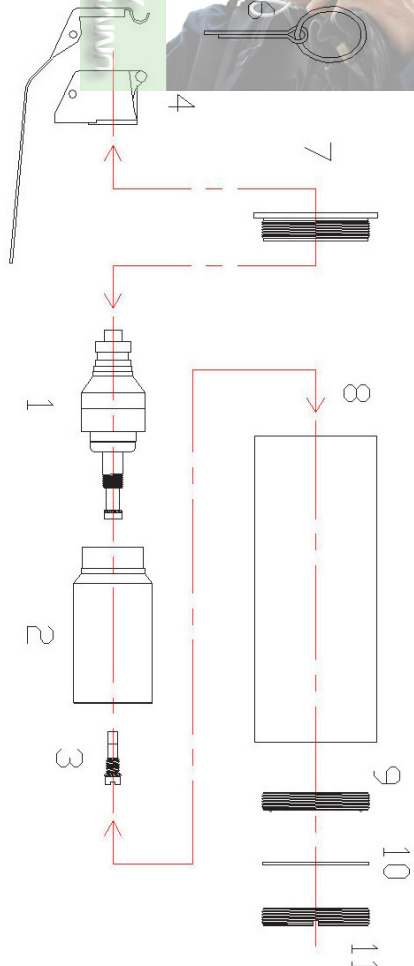
Install the phonation slice (do not install too tight)



Use the key to assemble the bottom covers.



Assemble the last piece of outer covers.



**DEEPIRE.**

**DeepFire**

Fung Li Creative International Ltd.

[www.deepfire.com.hk](http://www.deepfire.com.hk)