

SUPER SHOTGUN PUMP ACTION

M47 SERIES



1/1 New Generation Airsoft Gun
Use 6mm BB Bullet
Age : above 18

- Running/Shooting
- Changeable Hop Up System
- Long Metal Barrel (22cm), super accurate and farther (50m)
- 手拉单/连发
- 可调HOP Up功能
- 超长金属内管(22CM)超远射程可达(50M)



M47A1



M47A2



M47B1



M47B2



M47C1



M47C2



M47D1



M47D2

WARNING: 警告



	DANGEROUS: NOT A TOY. Adult supervision required. Misuse or careless use may cause serious injury.
	FOR AGES 18 YEARS AND UP - Must be 18 years of age to purchase; minors require parent or legal guardian supervision to operate. 18岁以上年龄才能购买使用本产品。
	EYE PROTECTION REQUIRED - Always wear eye and body protection to prevent injury. Do not fire at hard surface to prevent ricochet. 务必穿戴上防护眼镜及防护服以避免伤害,切勿射向硬物以免反弹。
	READ INSTRUCTION BEFORE OPERATING - Follow safe handling procedures at all times. The purchaser and user should conform to all laws governing the use and ownership of airguns. 使用前务必详读说明书,尤其要遵照关于安全方面的内容。
	DO NOT BRANDISH OR DISPLAY THIS PRODUCT IN PUBLIC - It may confuse people and may be a crime. Police and others may think it is a firearm. Do not change the coloration and markings to make it look more like a firearm. That is dangerous and may be a crime. 切勿在公众场合展示本产品。

Parts added * symbol are suitable for specific packing only.
注: 有*之配置只用于特定包装



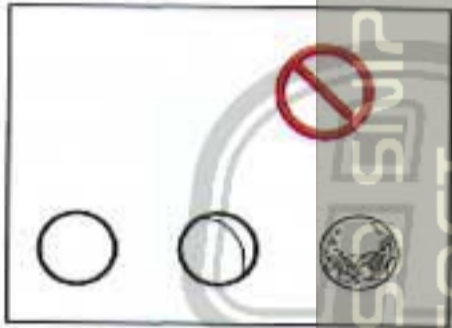
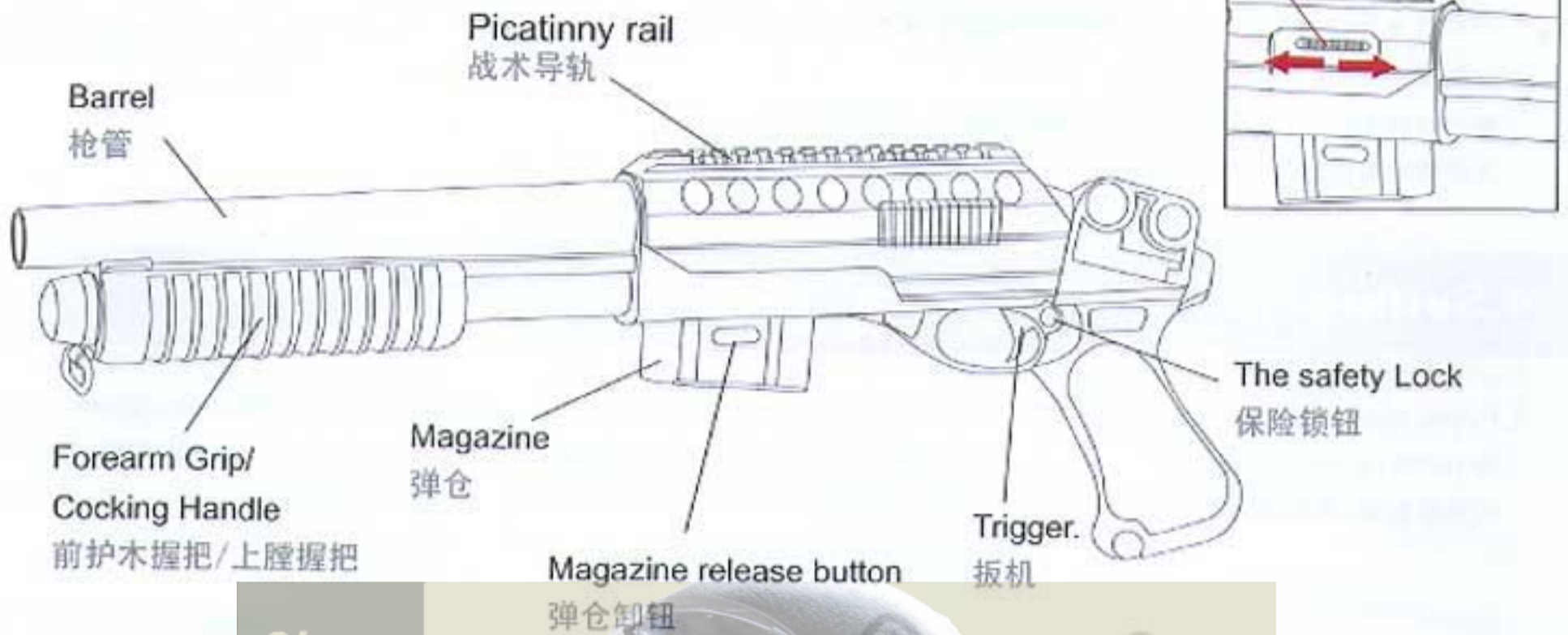
WARNING 注意

Always read through this manual before operation

使用前请阅读此说明书

Component Names

各部位的名称



- Always use precision BB Bullets for this air gun. Never use any used BB bullets.

请使用精密BB子弹。不要使用任何使用过的BB子弹。



- Do not look directly into the gun barrel to avoid accidental discharge of BB.

不要直接地看枪管，避免BB弹意外发射。



- Don't disassemble beyond what is necessary. Or the gun may be damaged.

不要随意拆解，枪可能被损伤。



- Never aim or shoot a person or animal as the target. Always attach the protective plug to the muzzle, except when you are ready to shoot a target.

不可把人或动物当作目标瞄准或射击。始终系上枪口的防护塞，除非准备射击一个明确的目标。



- Never hold the gun sideways as the BB bullets will curve right or left. This is due to the HOP-UP system.

切勿把枪支侧置射击，因为上翻弹(HOP UP)功能会导致弹道偏向左侧或右侧



- When bullets are clogged, immediately stop operation. Remove clogged bullets and then restart operation of the air gun.

当塞弹时，立刻停止操作，清除阻塞子弹，然后重始操作气枪。



- Select a safe place for operating the air gun, avoiding places where people and cars pass cross or third persons are around.

选择一个安全的地方操作气枪，避免在有人和汽车的路上操作气枪。

1. Adjustable Sight Operation (For specific packing only)

可调瞄准镜操作(适用于特定包装)

POWER 电池安装

Should the red dot become dim or does not light at all, you will need to replace the battery.

To install new battery, unscrew the battery cover in anticlockwise, and recover it in clockwise after replace the old battery with new one.

如果红点变暗或根本不发光,则须更换电池。更换电池时,先按逆时针方向旋开电池盖,取出旧电池,换入新电池,盖上电池盖并按顺时针方向旋紧。

MOUNTING 装上瞄准镜

When you mount this sight on a dovetail base gun, unscrew right mounting screw, slide the sight onto the dovetail and tighten it at proper position.

安装该镜时,先拧松右边的固定螺丝,把瞄准镜基座卡入楔形槽,调节至适当位置并旋紧螺丝。

OPEN & CLOSE POWER 打开及关闭电源

Engage the sight by turning the switch. Turning the switch at 3 position will open the sight with the highest light (GS13 only), turning the switch at 2 position will open the sight with higher light, turning the switch at 1 position will open the sight with dark. Turning the switch at 0 position will close the power.

把开并调节钮旋至“3”位置,打开电源,红点最亮(仅GS13有此档位);把开并调节钮旋至“2”位置,打开电源,红点较亮;把开关旋钮旋至“1”位置,红点较暗;把开关旋钮旋至“0”,关闭电源。

ADJUST THE RED SIGHT 调节红色准星

调节红色准星

1 Adjust the sight vertically by turning the elevation adjusting knob.

旋转垂直调节钮,以从垂直方向调准瞄准镜内准星。

Turning cross shifts the shooting point down.

Turning counter clockwise shifts the sight the shooting point up.

顺时针方向为往下调节准星。

逆时针方向为往上调节准星。

2 Adjust the sight horizontally by turning the wintage adjusting knob.

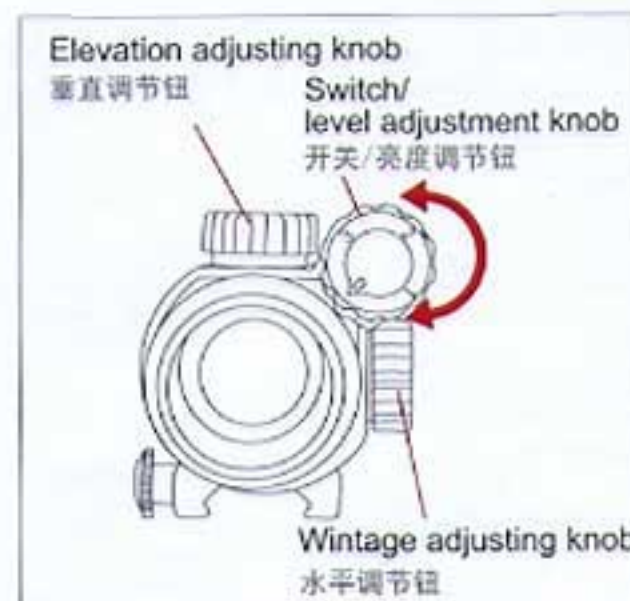
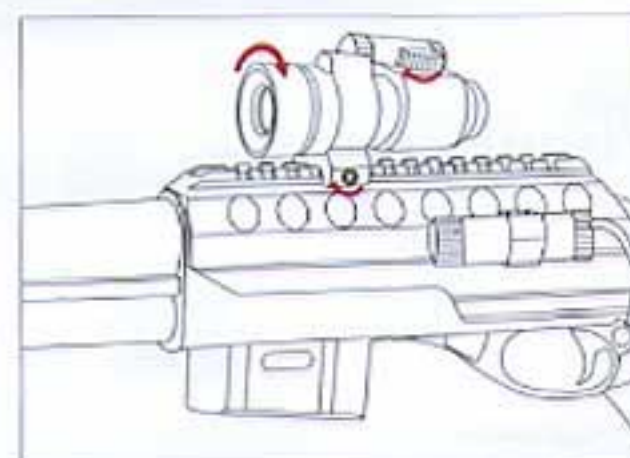
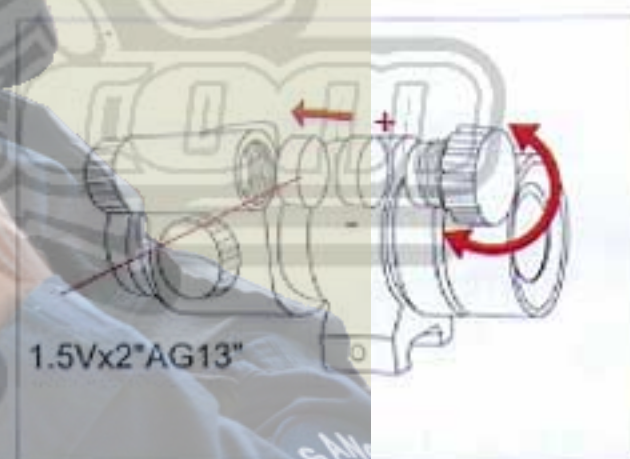
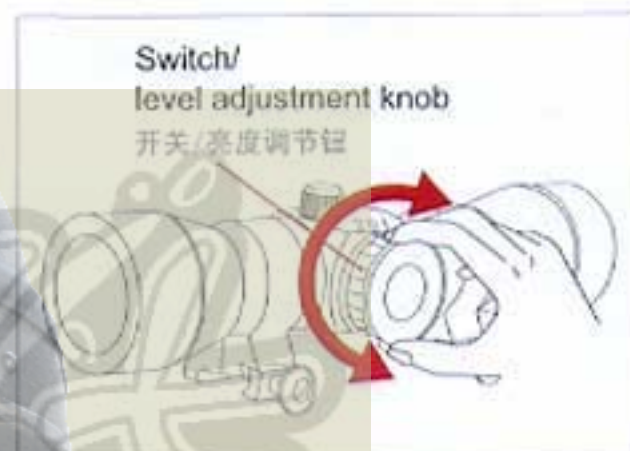
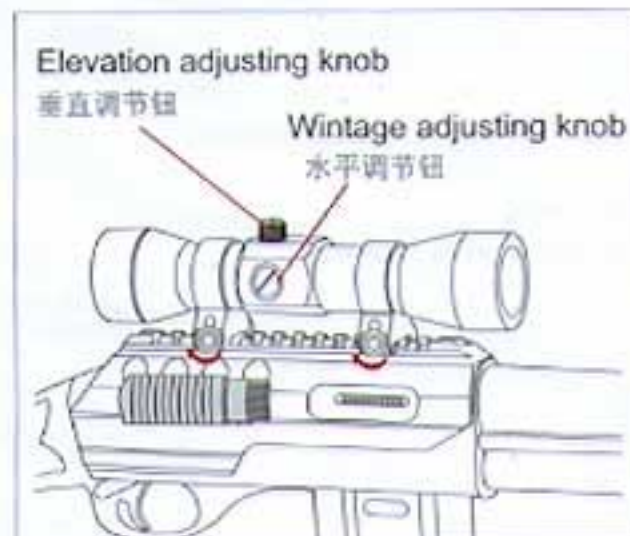
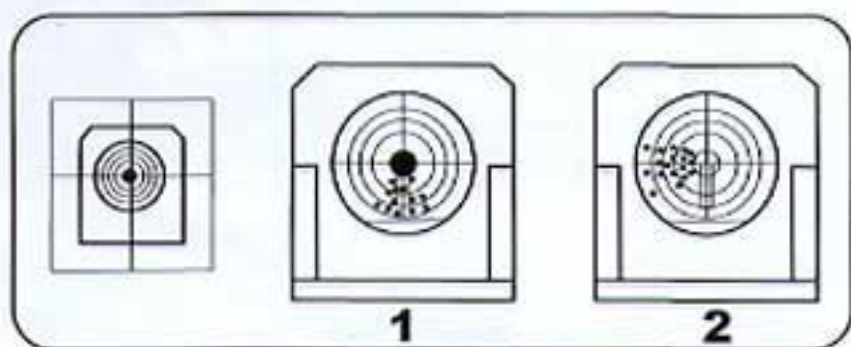
旋转水平调节钮,以从水平方向调准瞄准镜内准星。

Turning cross shifts the sight to right.

Turning counter clockwise shifts it to left.

顺时针方向为往左调节准星。

逆时针方向为往右调节准星。



2. Install Adjustable Laser Aim Module (ALAM) and Flashlight* 安装激光瞄准器及手电筒*

Adjustable Laser Aim Module Operation

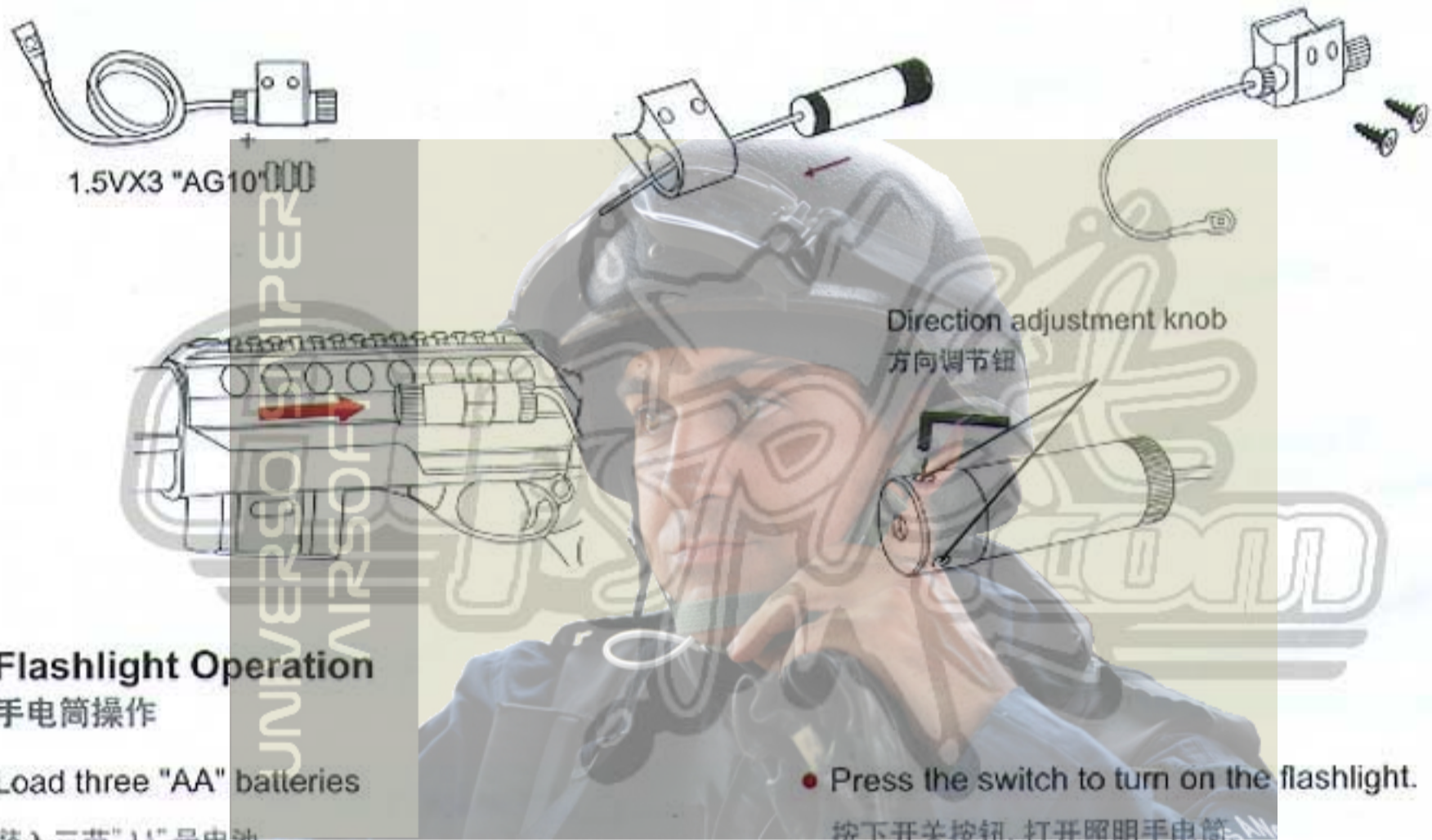
可调激光瞄准器调节操作

1 Install the Adjustable Laser Aim Module 安装

- Disengage the Cover of Laser, Install 3 batteries AG10, then fasten the Cover
松开激光器后盖, 装入3节拉AG10电池, 重新旋紧后盖。
- Install the Laser into the Laser base, Make two adjustment holes outside
将激光器套入基座, 注意2个调节孔朝外。
- Slide the Laser base on the Picatinny Rail, and fasten two Locking Screws
把基座套入战术导轨, 旋紧2个固定螺丝。
- Press the switch button of the Laser
按下激光器开关。

2 Adjust direction 调节方向

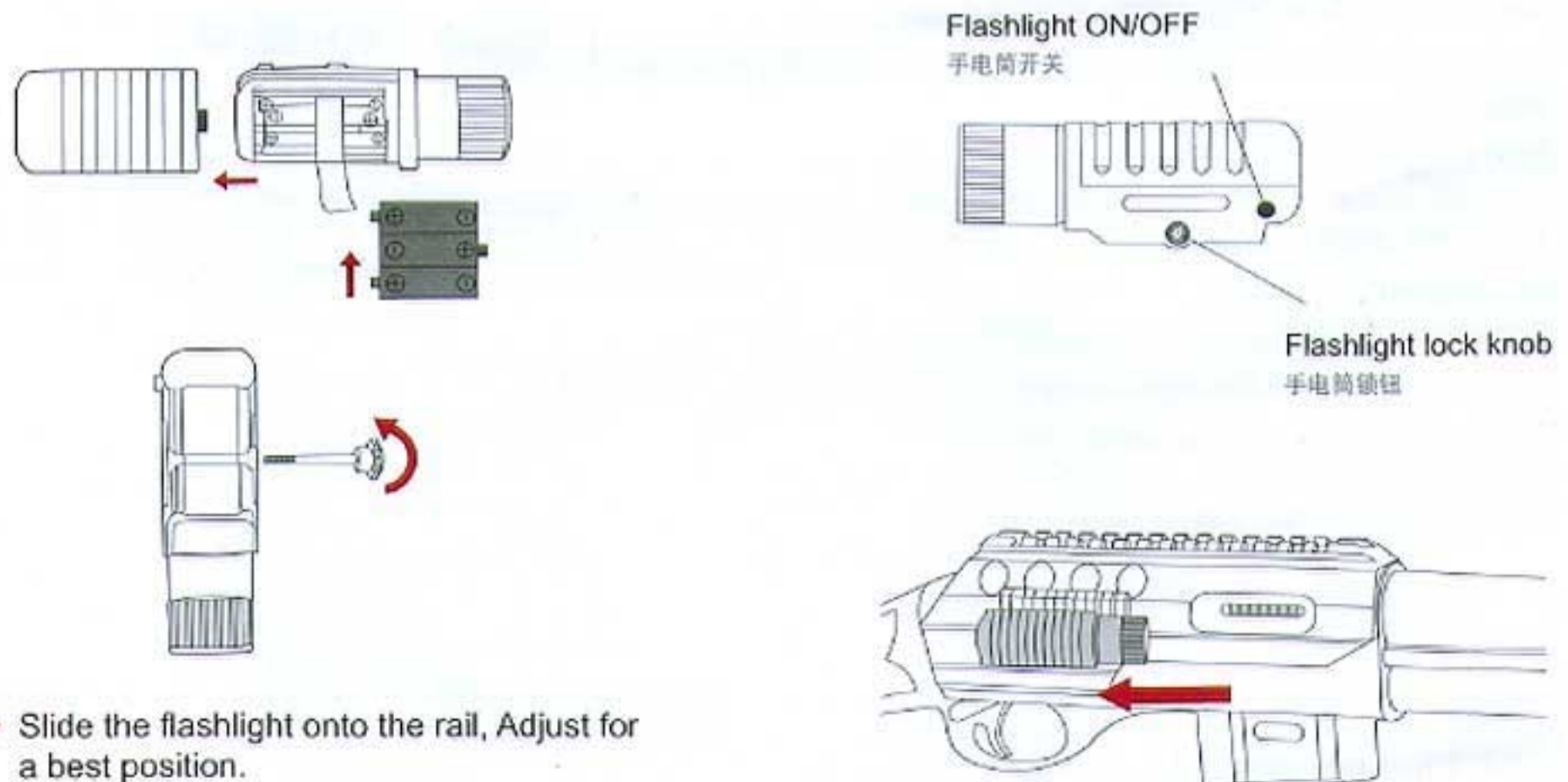
- Turning adjusting screws can adjust the sight by using the 2.5mm hexagonal key for the M5 setscrew. Turning clockwise shifts up and left the shooting point. Turning counter clockwise shifts the sight down and right the shooting point.
用随配六角扳手, 调节激光器射出点的方向。



Flashlight Operation

手电筒操作

- Load three "AA" batteries
装入三节"AA"号电池。
- Press the switch to turn on the flashlight.
按下开关按钮, 打开照明手电筒。



- Slide the flashlight onto the rail, Adjust for a best position.

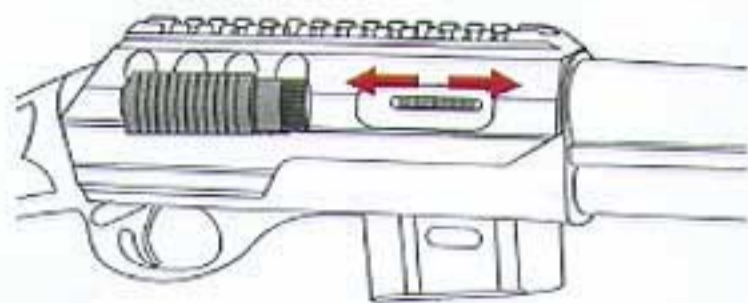
把手电筒从战术导轨套入, 调整至适当位置。
插入并旋紧固定螺丝。

3. Adjust variable HOP-UP 可调式HOP-UP调节

Adjust variable Hop-up system for best shooting
调节可调式HOP-UP系统以达到最佳射击效果

- Slightly slide the hop-up adjustment knob.
轻轻滑动HOP-UP调节钮
- Shoot a few bullets, exam the trajectory and make further adjustment if necessary.

把按钮向"Hop"方向滑动则射出BB弹微调向上, 把按钮向"Normal"方向滑动则射出BB弹微调向下.



4. Setting the magazine 装入子弹

1. Press the magazine Catch Lever to remove the magazine
按弹匣卸钮, 取出子弹匣.

2. Load Bullets into the Loading Tube (it can be loaded about 20 bullets) or the Speed Loader.
将子弹装入装弹管(约20颗)或快速充弹器内.

3. Feed bullets into Magazine using the Bullets Loading Rod or press the Spring Rod. Do not pull over, otherwise it will damage the magazine.

将装弹器内的子弹推入弹匣内. 注意不要过度用力.



4. Insert the loaded magazine into the rifle.
把弹匣插入枪支.

To remove the magazine, press the magazine Catch Lever to disengage the magazine.

移去弹匣时, 先按住弹匣卸钮, 卸开弹匣.

* There are one or two bullets in the gun when the magazine was released from the gun.

* 卸下弹匣时, 枪体内剩留1-2颗子弹. 这是正常现象.

- Removing clogged bullets
卡弹处理

- (1) Remove the magazine and return the hop up adjustment to the Normal position.

如发生卡弹时, 先卸下弹匣, 将上翻弹(Hop up)功能钮调至正常位置.

- (2) Insert the cleaning rod from the load edge of the barrel, be careful so that the angled part of the cleaning rod faces down, and remove clogged bullets.

把清弹棒插入枪管, (清弹器斜面向下), 子弹从弹匣插口退出.

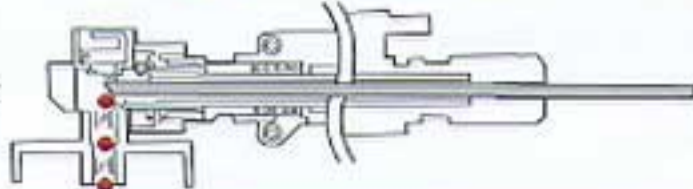


Warning! Always use precision ground 6mm BB bullets for accuracy and safety. Never re-use bullets.
警告! 务必使用优质BB弹以确保安全及准确度.

Fig.1
图1



Fig.2
图2

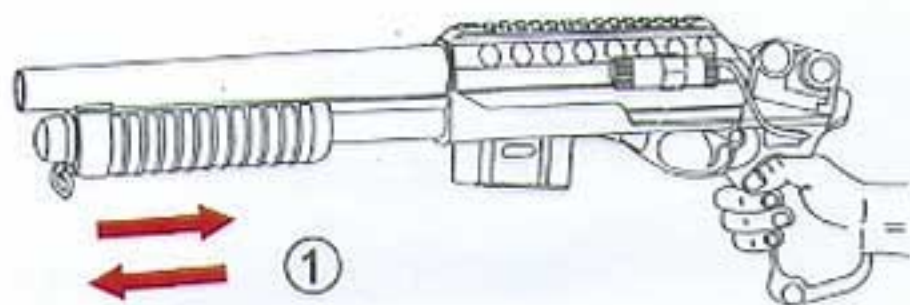


5. How to shot 射击方法

Shooting method 1:

射击方法1:

- ① Pull back forearm grip and return it absolutely.
向后拉前护木把手并完全回位



- ② Pull trigger to shoot
拉动扳机射出子弹



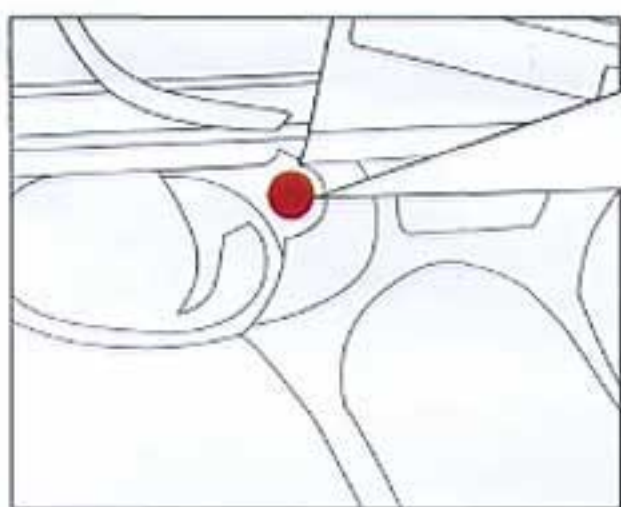
Shooting method 2:

射击方法2:

RUNNING SHOOTING

连续发射

- Repeated operations of Forearm Grip as trigger pulled makes available running shooting.
按住扳机不放, 重复来回拉动前护木把手, 则连续发射子弹.
- Safety state makes trigger be locked and do not attempt to pull trigger by force under this state.
若处在安全状态, 则当按扳机时仍不能射击.



<Safety lock> 安全装置



Shooting position
射击状态



Safety position
安全状态

6. Maintenance 养护

- Keep the rifle in clean condition.
把枪支放置在清洁地方
- Regularly clean the barrel with soft cleaning rod.
定期用洁净导棍清洁枪管
- Never used dirty, damaged or distorted bullets.
禁止用脏污的, 受损的或劣质子弹.