



# M82



1/1 New Generation Airsoft Electric Gun  
Use 6mm BB Bellet

Variable Hop Up System

Adjustable Rear Sight

Semi/Full Automatic

可调Hop Up系统

可调式前后准星

单发/连发功能

Can be Equipped with Adjustable Laser Aim  
Module and Adjustable Electronic Gun Sight  
可配备可调电子瞄准镜、可调激光瞄准器。



## M82



## M82P

Parts added \* symbol are suitable for specific packing only.

注：有带\*之配置只用于特定包装

Always read through this manual before operation. Remain this manual  
for future referrence.

使用前请先阅读说明书，保存此说明书以供日后使用参照。

Age : above 18

**USER MANUAL**



# WARNING 注意

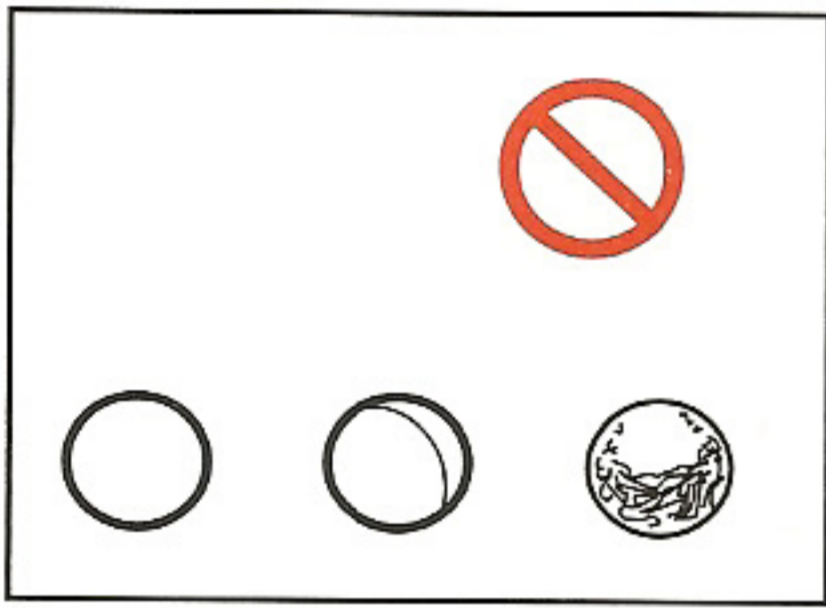
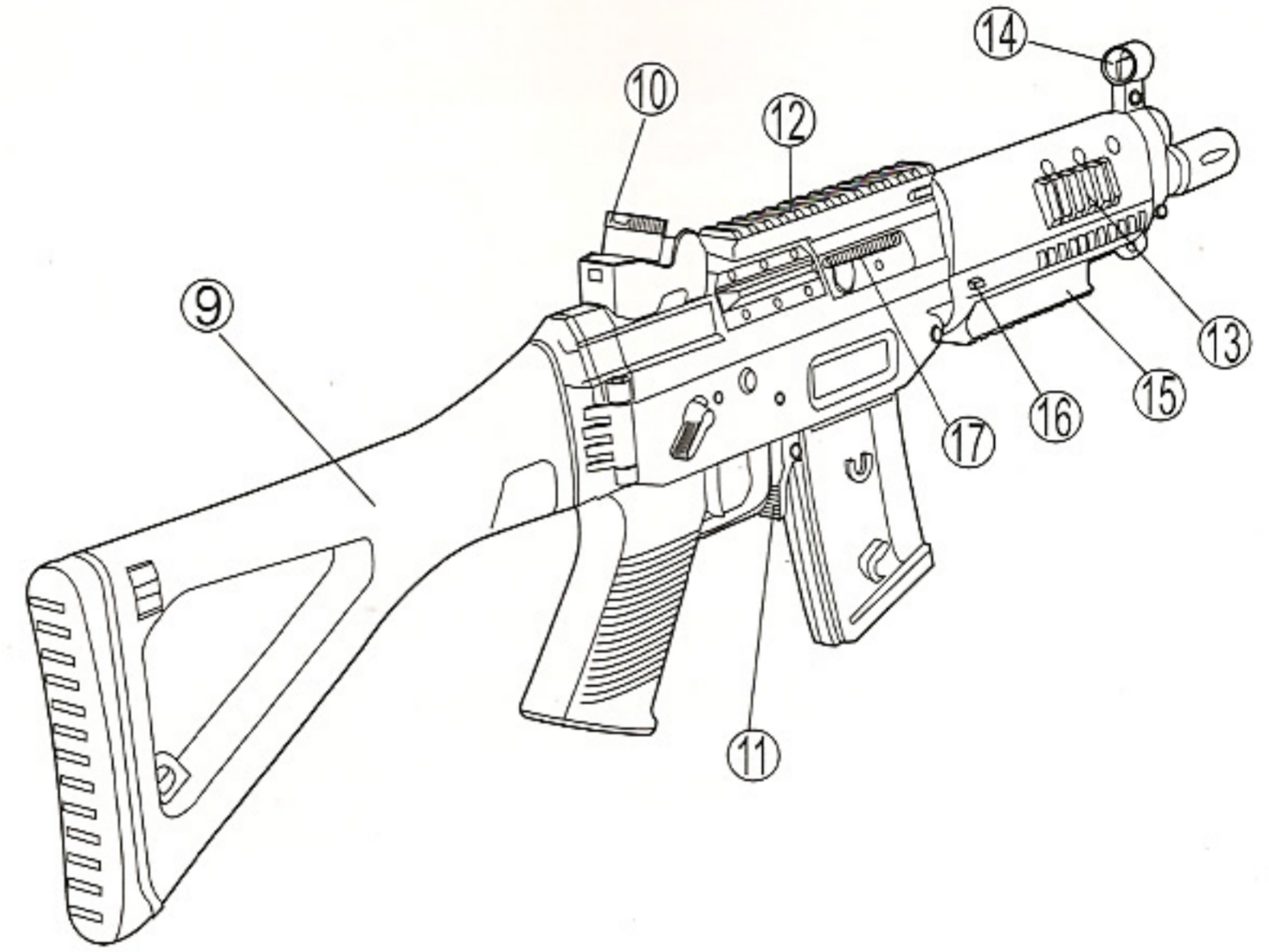
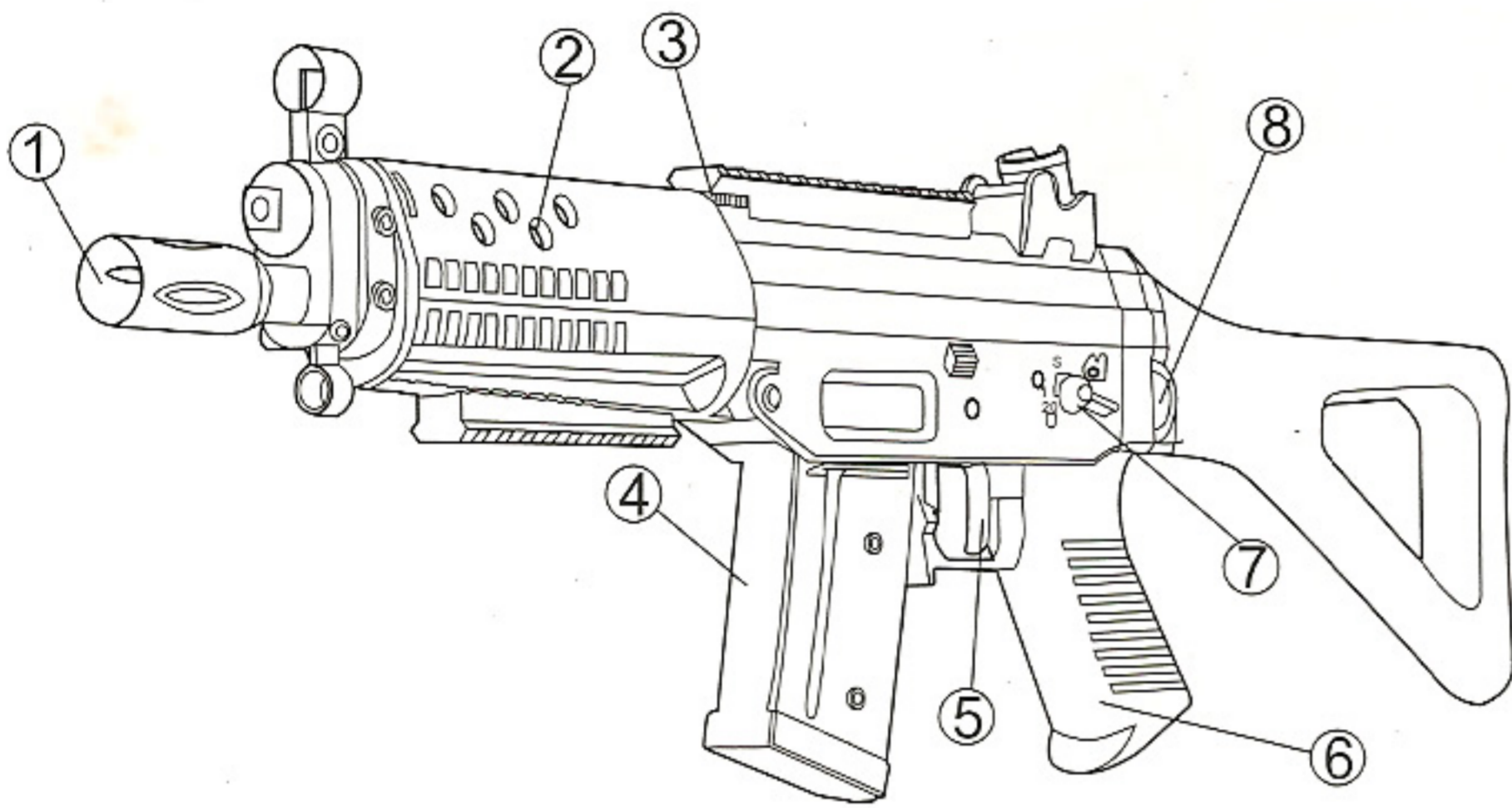
Always read through this manual before operation

使用前请阅读此说明书

- ① Flash Hider  
枪头
- ② Hand guard  
护板
- ③ Hand guard lock  
护板锁杆
- ④ Magazine  
弹盒
- ⑤ Trigger  
扳机
- ⑥ Grip  
手把

- ⑦ Selector  
功能选择杆
- ⑧ Stock Lock Button  
枪托锁键
- ⑨ Folding Stock  
折叠式枪托
- ⑩ Rear Sight  
后准星
- ⑪ Magazine Catch Lever  
弹盒卸杆
- ⑫ Long Mount Rail  
上导轨

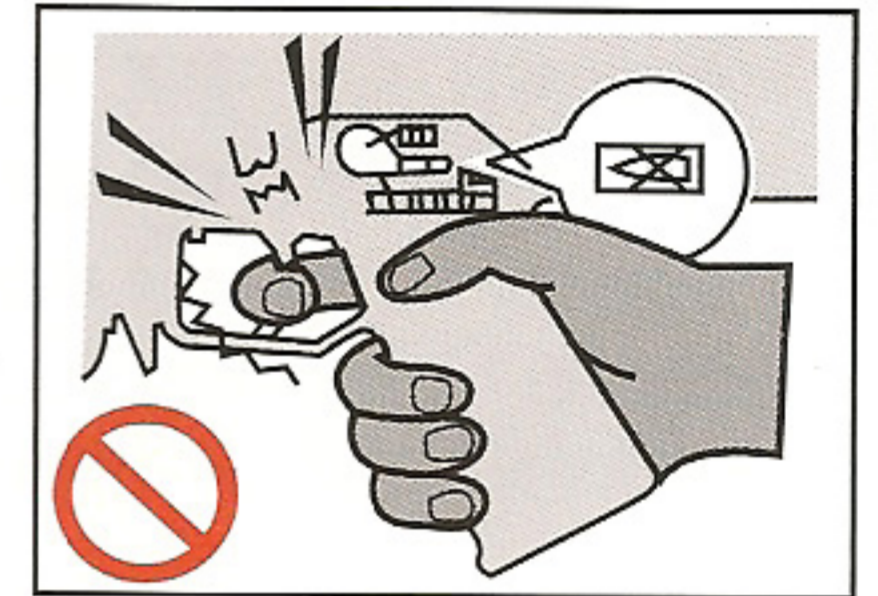
- ⑬ Side mount Rail  
侧导轨
- ⑭ Front Sight  
前准星
- ⑮ Under Mount Rail  
下导轨
- ⑯ Stock Lock Rib (Cartridge Reflector)  
枪托固定键
- ⑰ Hop up adjust Lever  
上翻弹(Hop up)调节键



- Always use precision BB Bullets for this air gun. Never use any used BB bullets.  
请使用精密BB子弹。不要使用任何使用过的BB子弹。



- Never hold the gun sideways as the BB bullets will curve right or left. This is due to the HOP-UP system.  
切勿把枪支侧置射击，因为上翻弹(HOP UP)功能会导致弹道偏向左侧或右侧



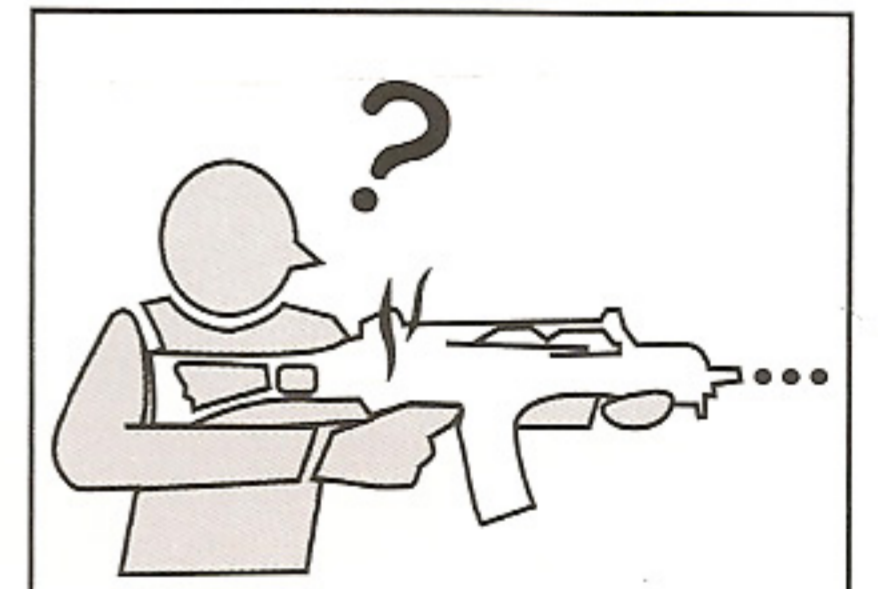
- Pulling the trigger with the Safety lever being set to SAFE may damage the gun.  
当选择杆拨在SAFE档时，切勿用力扳动扳机



- Don't disassemble beyond what is necessary. Or the gun may be damaged.  
不要随意拆解，枪可能被损伤。



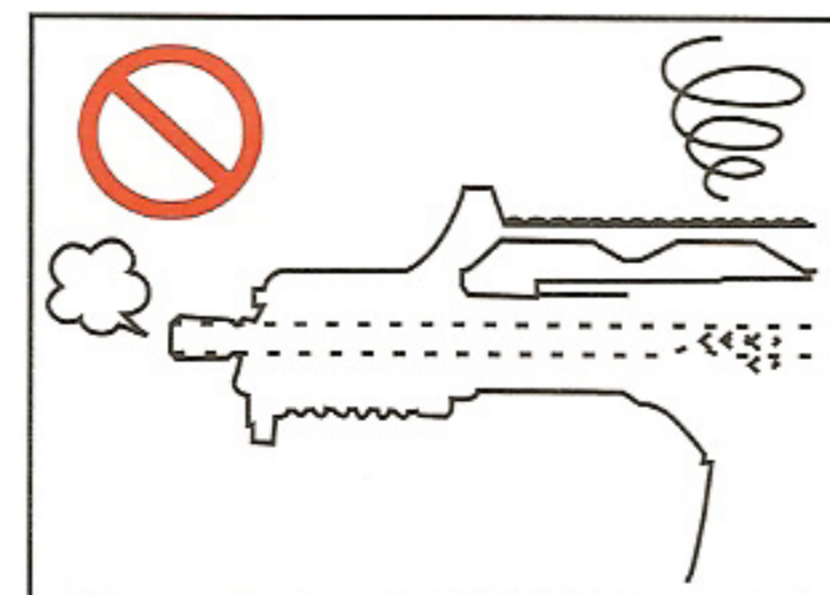
- Never aim or shoot a person or animal as the target. Always set the selector on SAFE position except when you are ready to shoot a target.  
不可把人或动物当作目标瞄准或射击。请把选择杆拨在SAFE档，除非准备射击一个明确的目标。



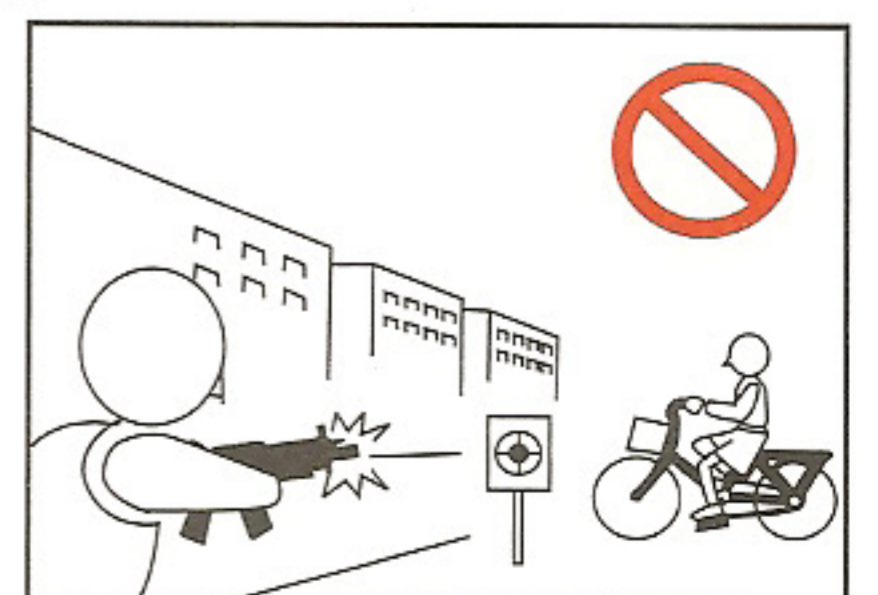
- Smell may be generated from the motor for a while when a new air gun is operated, this is the normal operation of the gun.  
刚使用新枪时，马达运转一阵后可能会产生气味



- Do not look directly into the gun barrel to avoid accidental discharge of BB.  
不要直接地看枪管，避免BB弹意外发射。



- When bullets are clogged, immediately stop operation. Remove clogged bullets and then restart operation of the air gun.  
当塞弹时，立刻停止操作。清除阻塞子弹，然后重新操作气枪。



- Select a safe place for operating the air gun, avoiding places where people and cars pass cross or third persons are around.  
选择一个安全的地方操作气枪，避免在有人和汽车的路上操作气枪。

# 1.parts 配件

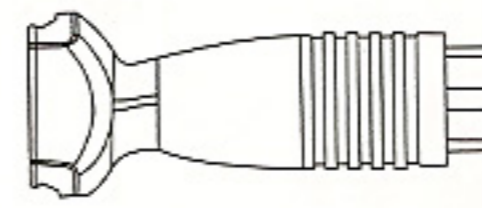
7.2V Rechargeable battery  
7.2V充电电池



Special charger  
专用充电器



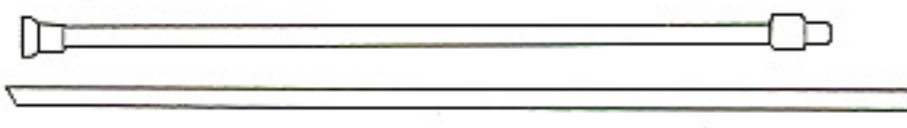
Handle  
握把



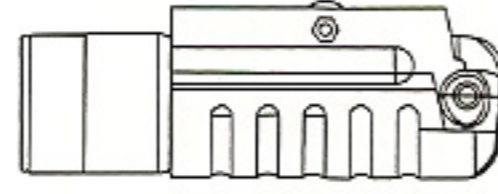
Adjustable Laser Aim Module\*  
可调激光瞄准器\*



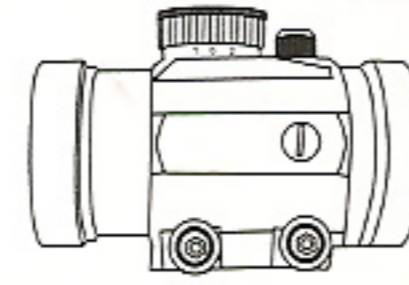
Bullet Loader  
装弹器



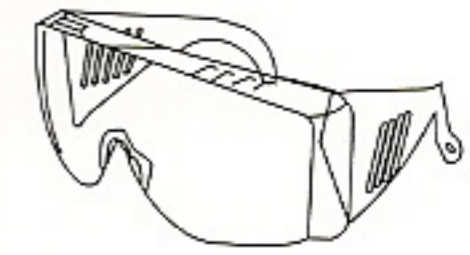
Flashlight\*  
照明手电筒\*



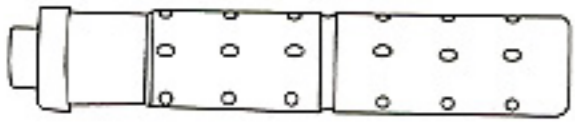
Adjustable Electronic  
Gunsight\*  
可调电子瞄准镜\*



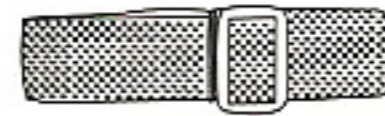
Shooting Glasses  
防弹眼镜



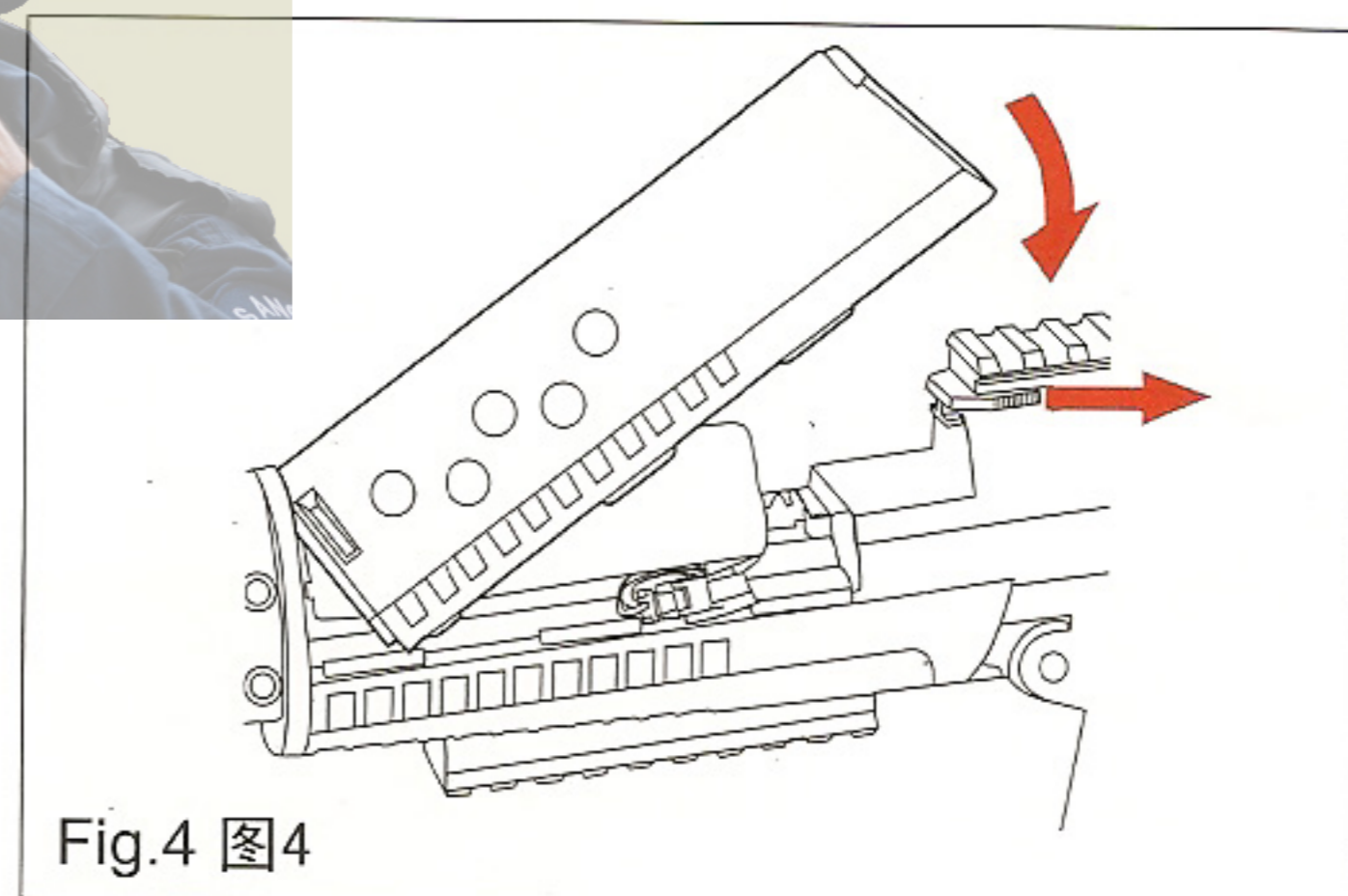
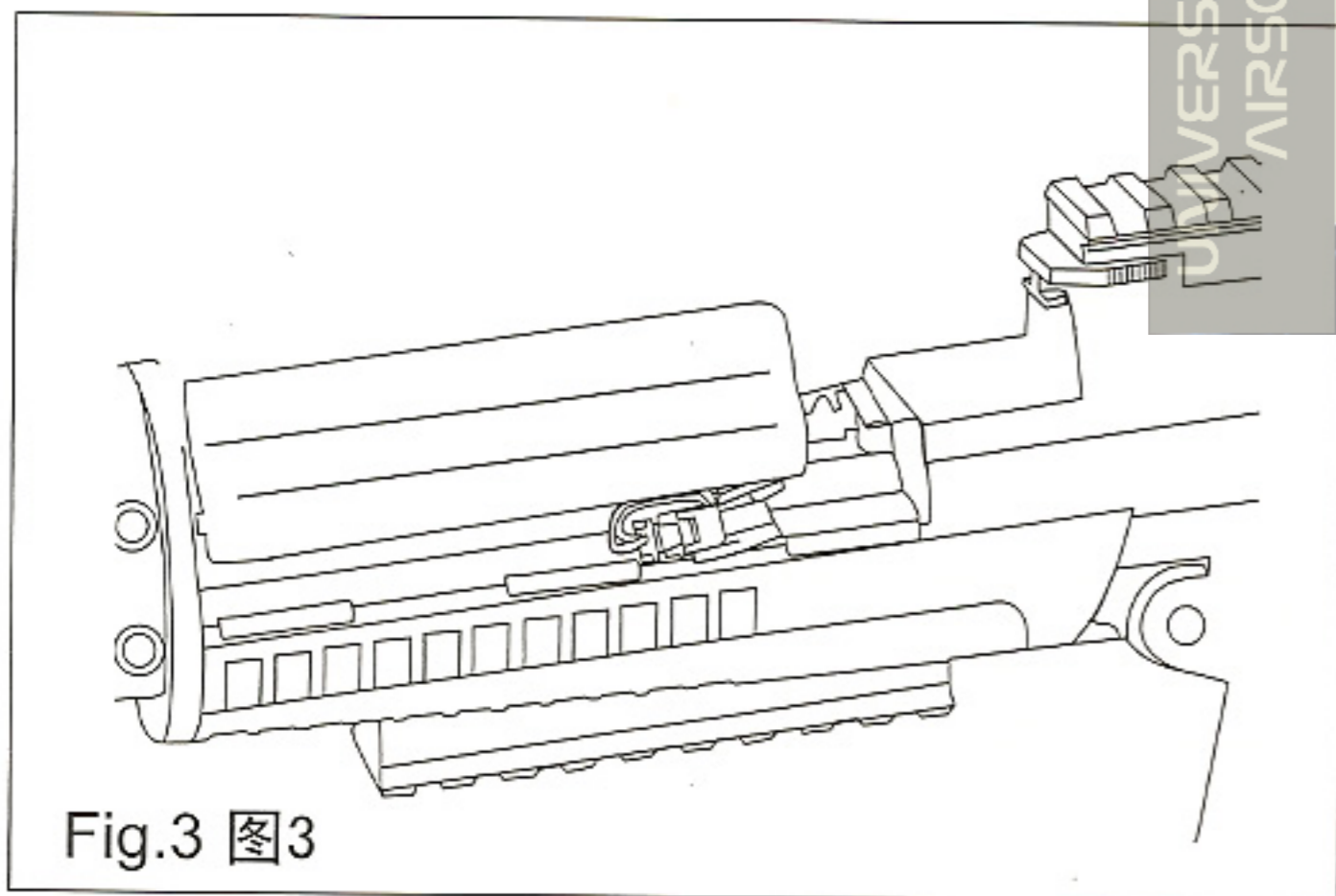
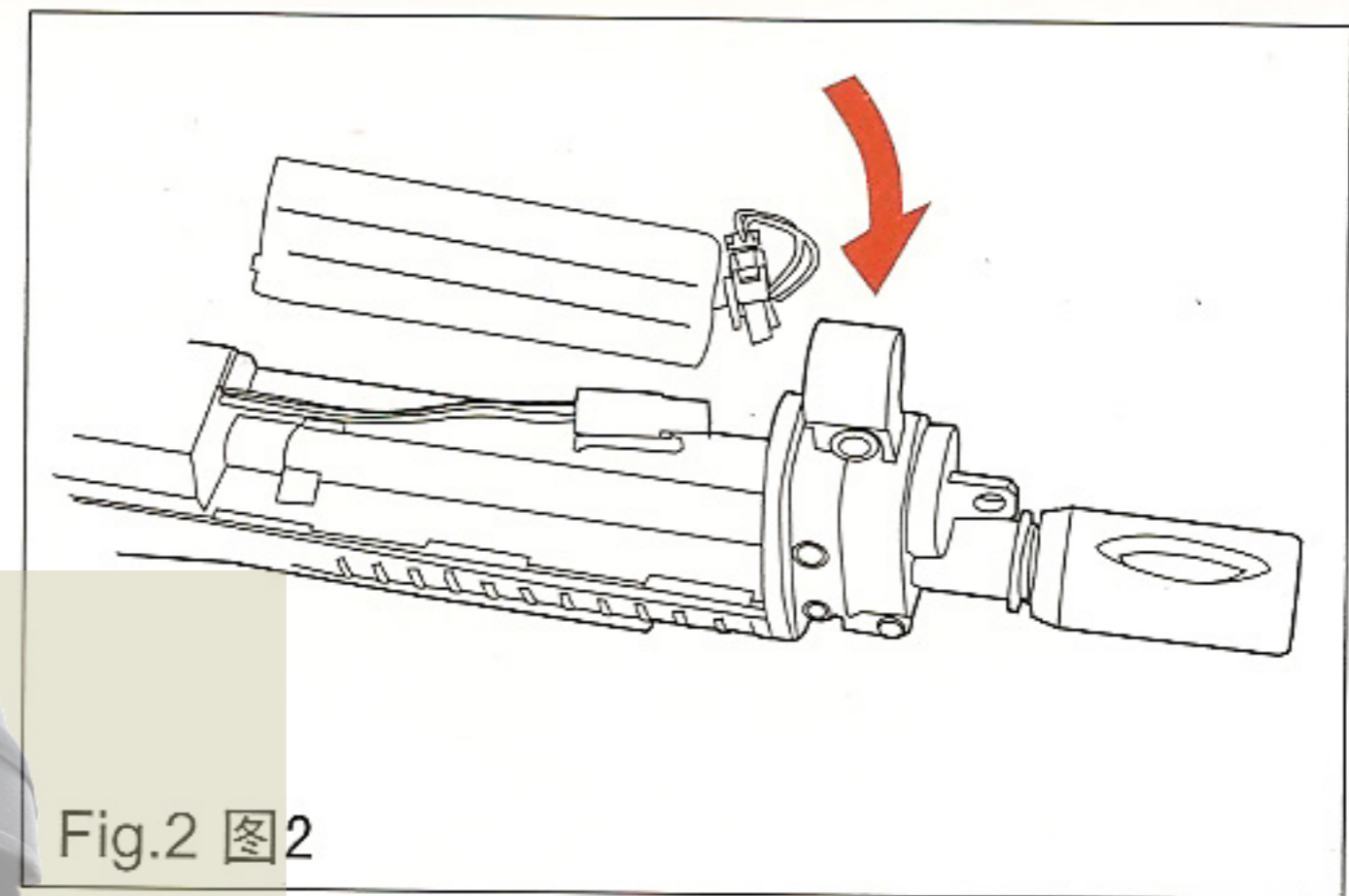
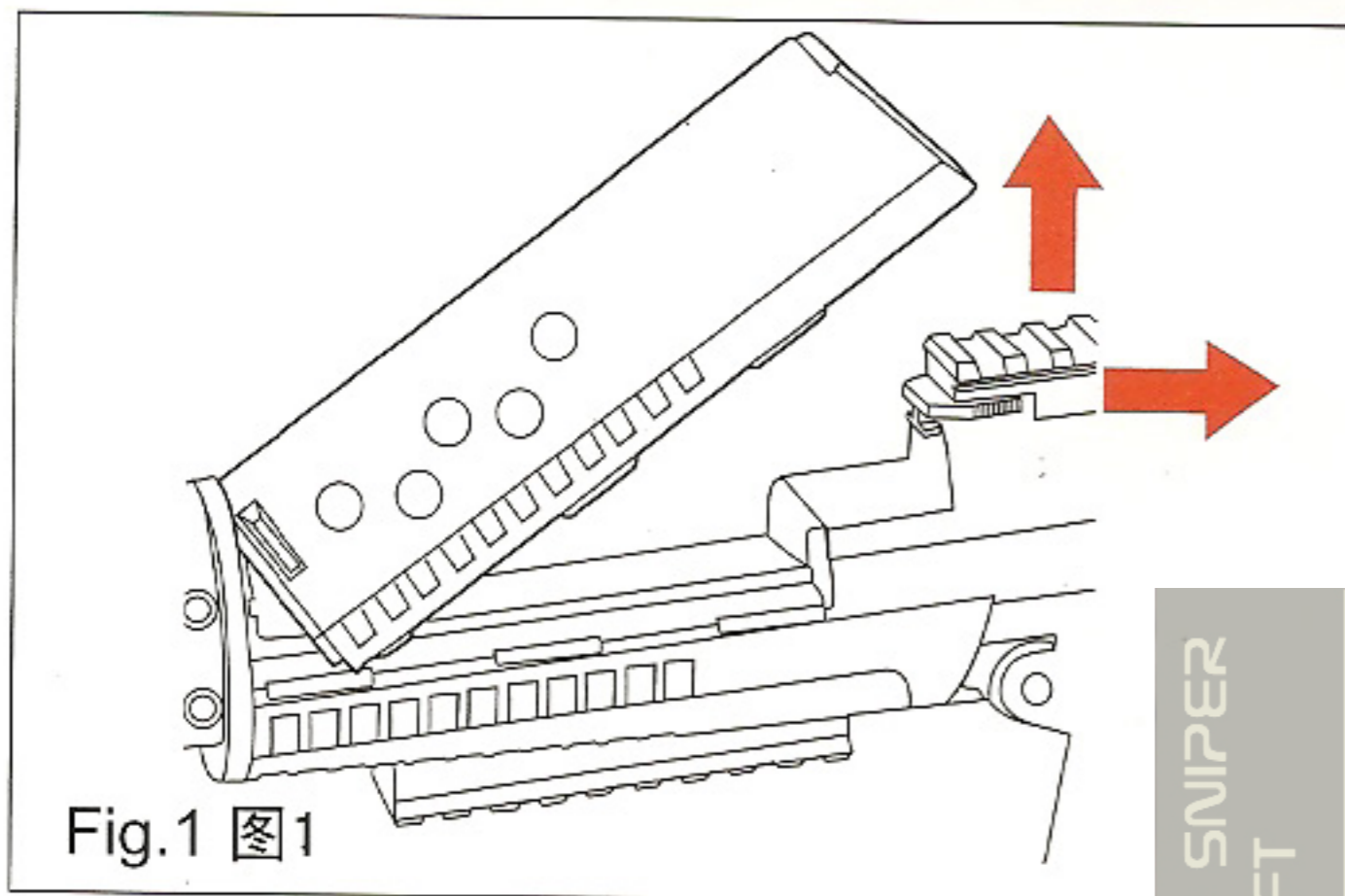
Silencer\*  
消声器\*



Sling  
背带



# 2. Install & replace battery 安装及更换电池



- Remove all accessories installed on the Handguard by reversing the installation instruction as previously stated.  
卸去装在扶手处的所有附件。
- Pull the Hand guard Lock backward Lift and open the Hang guard.(Fig.1)  
往后拉开护板锁杆,移去护板。(图1)

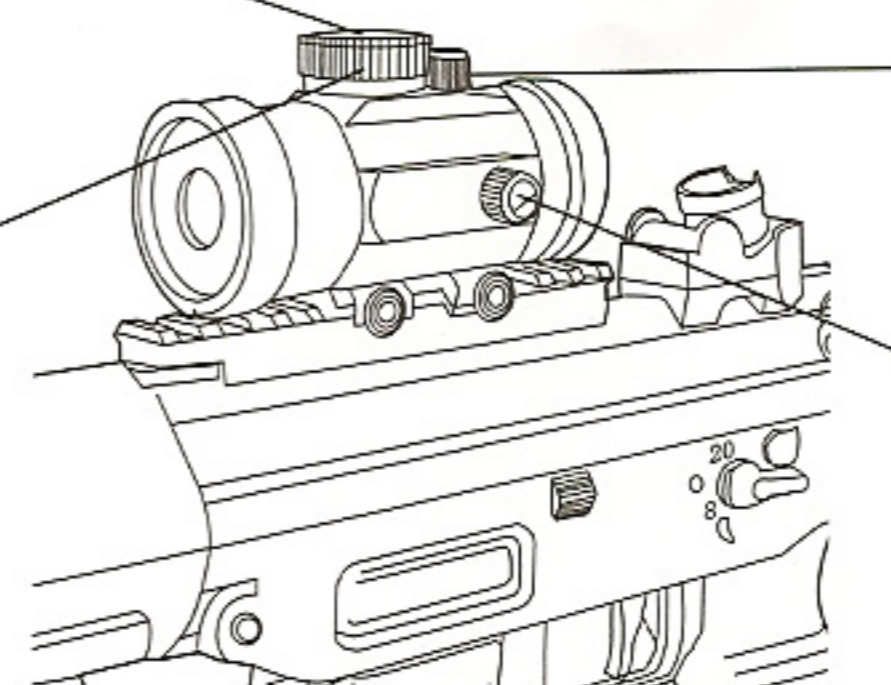
- Install the battery into the Battery Chamber. Plug the battery connector into the wire socket. (Fig.2 ,Fig.3)  
装入电池,把电池接头放置在线槽内。(图2,图3)
- Close the Battery Compartment and push the Handguard Lock into position(Fig.4)  
把电池座顶盖盖上并扣紧锁环。(图4)

# 3. Install Quick Aim Electronic Sight 安装电子瞄准镜

No:GS11 Adjustable red cross  
QUICK AIM ELECTRONIC (QAE) SCOPE\*  
(只限于特定包装 For specific packing)

Battery cover  
电池盖

Power switch  
电源调节开关



Elevation adjustment knob  
十字红点垂直调整钮

Windage adjustment knob  
十字红点水平调整钮

## POWER 电池安装

- Your QAE Scope GS11 is powered by one 3 volt lithium long life battery No.CR2025 or equivalent. Should the red dot become dim or does not light at all, you will need to replace the battery. To install new battery, unscrew the battery cover in anticlockwise, and recover it in clockwise after replace the old battery with new one.

百中瞄准镜GS11已安装有一节3伏长寿锂电池(GR2025,或其替代品), 如果红点变暗或根本不发光, 则须更换电池. 更换电池时, 先按逆时针方向旋开电池盖, 取出旧电池, 换入新电池, 盖上电池盖并按顺时针方向旋紧.

## MOUNTING 装上瞄准镜

- When you mount this sight on a dovetail base gun, unscrew right mounting screws, slide the sight onto the dovetail and tighten it at proper position. 安装该镜时, 先拧松右边的固定螺丝, 把瞄准镜基座卡入楔形槽, 调节至适当位置并旋紧螺丝.

## OPEN & CLOSE POWER 打开及关闭电源

- Engage the sight by turning the ON/OFF switch. Turning the switch at 2 position will open the sight with hiht light (suit for day), Turning the switch at 1 position will open the sight with dark (suit for night), Turning the switch at 0 position will close the power.

把开关调节钮旋至"2"位置, 打开电源, 红点较亮(适合白天使用), 把开关旋钮旋至"1"位置, 红点较暗(适合晚上使用), 把开关旋钮旋至"0", 关闭电源.

## ADJUST THE RED CROSS SIGHT 调节红色十字准星

1. Adjust the sight vertically by turning the elevation adjusting knob

旋转垂直调节钮, 以从垂直方向调准瞄准镜内之十字准星

Turning cross shifts down the shooting point

Turning counter clockwise shifts the sight up th shooting point

顺时针方向为往下调节十字准星

逆时针方向往上调节十字准星

2. Adjust the sight horizontally by turning the wintage adjusting knob

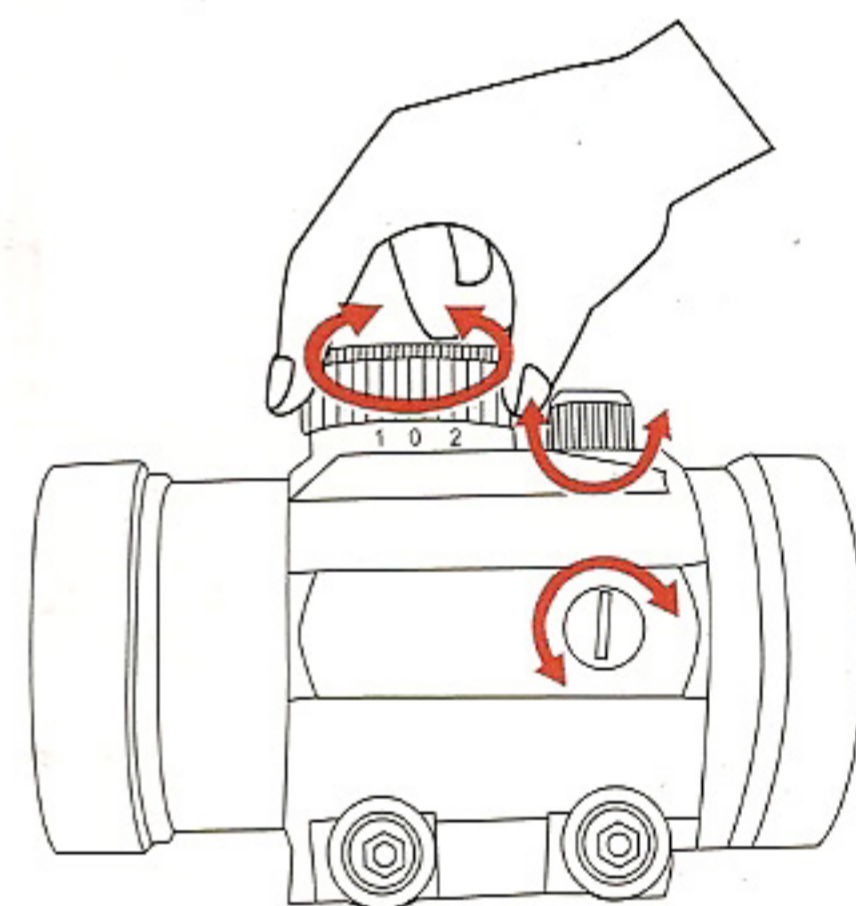
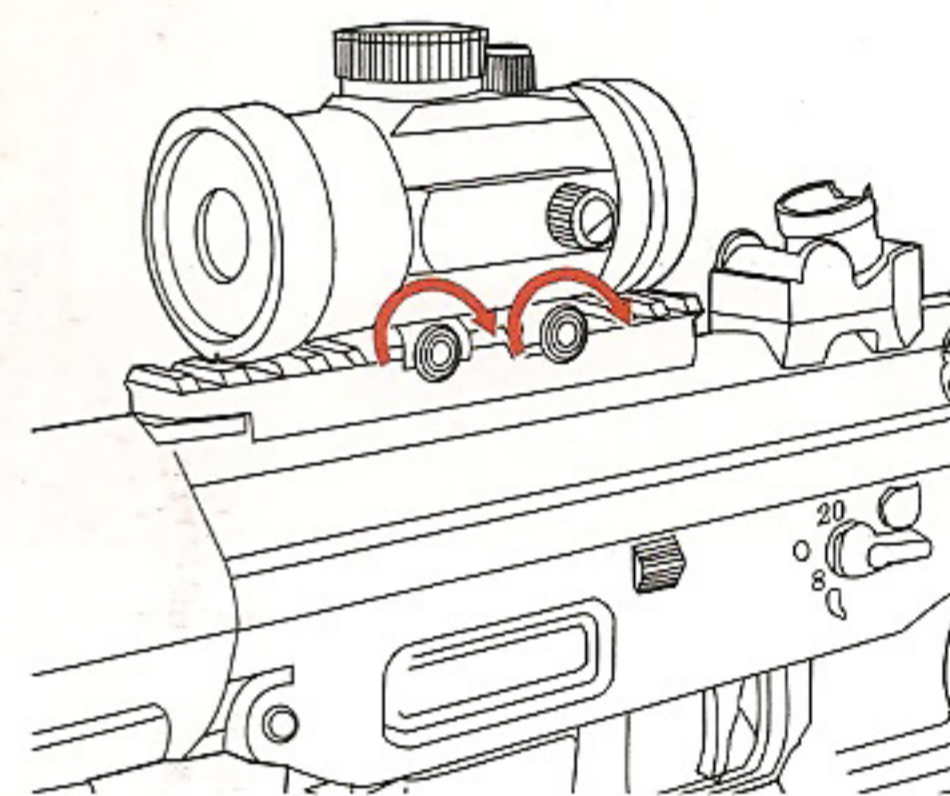
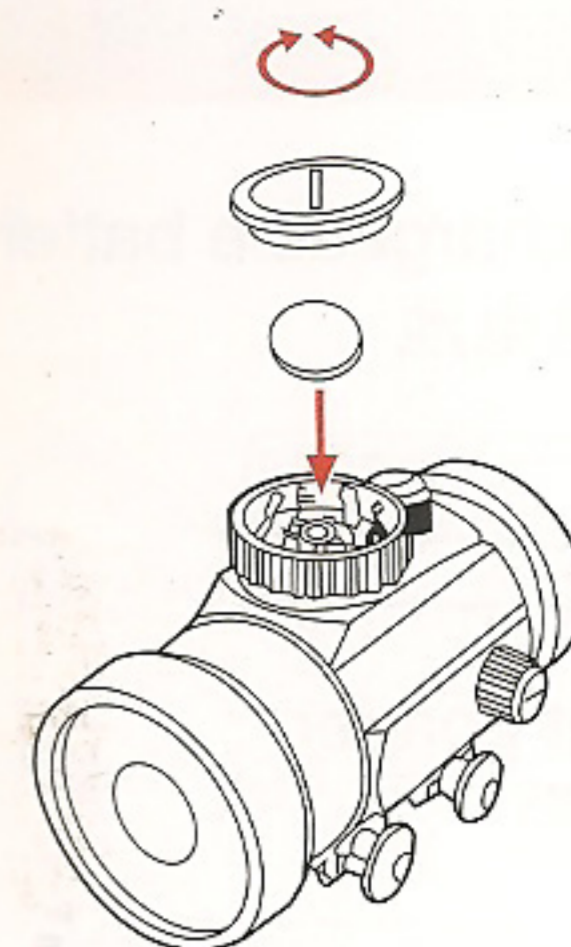
旋转水平调节钮, 以从水平方向调准瞄准镜内之十字准星

Turning cross shifts the sight to the right.

Turning counter clockwise shifts in to the left.

顺时针方向为往左调节十字准星

逆时针方向为往右调节十字准星

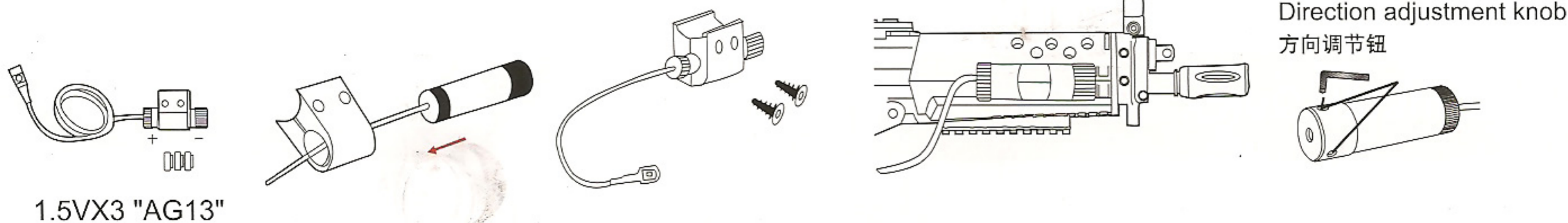


## 4. Install Adjustable Laser Aim Module and Flashlight 安装激光瞄准器及手电筒

### Adjustable Laser Aim Module Operation\* 可调激光瞄准器操作\*

- Install the ALAM on the appropriate position, make two adjustment holes outside 把可调式激光瞄准器安装于枪上导轨之适当位置, 把瞄准器头部二调节孔置于外面.

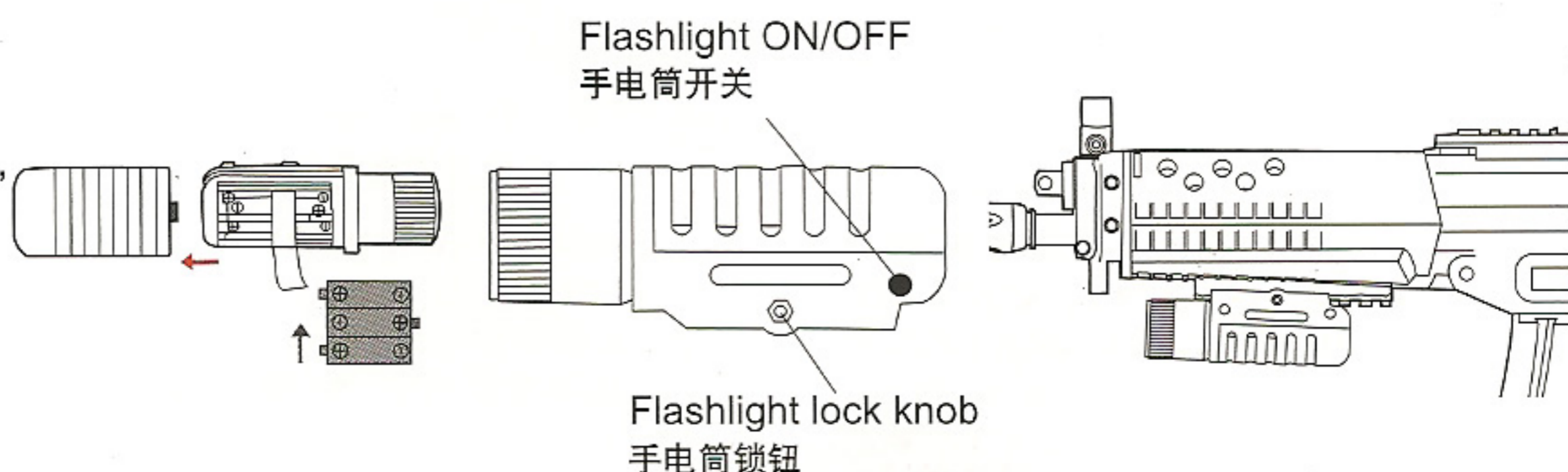
- Adjust the sight by turning the adjusting screw using the 2.5mm hexagonal key for the M5 setscrew. Turning clockwise shifts up and left the shooting point. Turning counter clockwise shifts the sight down and right the shooting point. 把六角扳手插入瞄准器调节孔, 按往顺时针方向旋转, 射出红点时向左、上方向移动. 反之则向右、下方向移动, 二小孔可同时调节, 以达到更准确效果.



1.5VX3 "AG13"

### Flashlight Operation\* 手电筒操作\*

- Slide the flashlight onto the handguard rail, adjust for a best position. Press the power button. 把手电筒从护板导轨前端套入, 调整至适当位置. 旋紧固定螺丝. 按下电源开关.

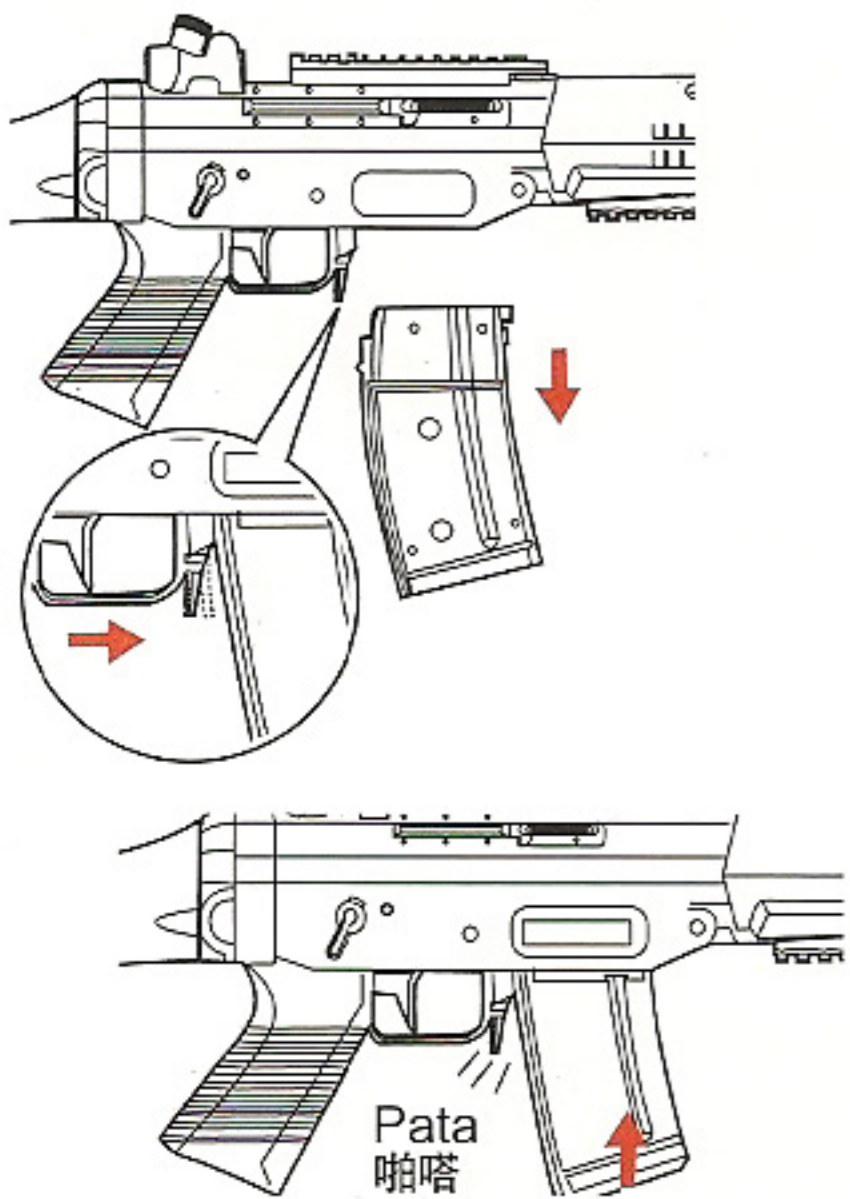


Flashlight ON/OFF 手电筒开关

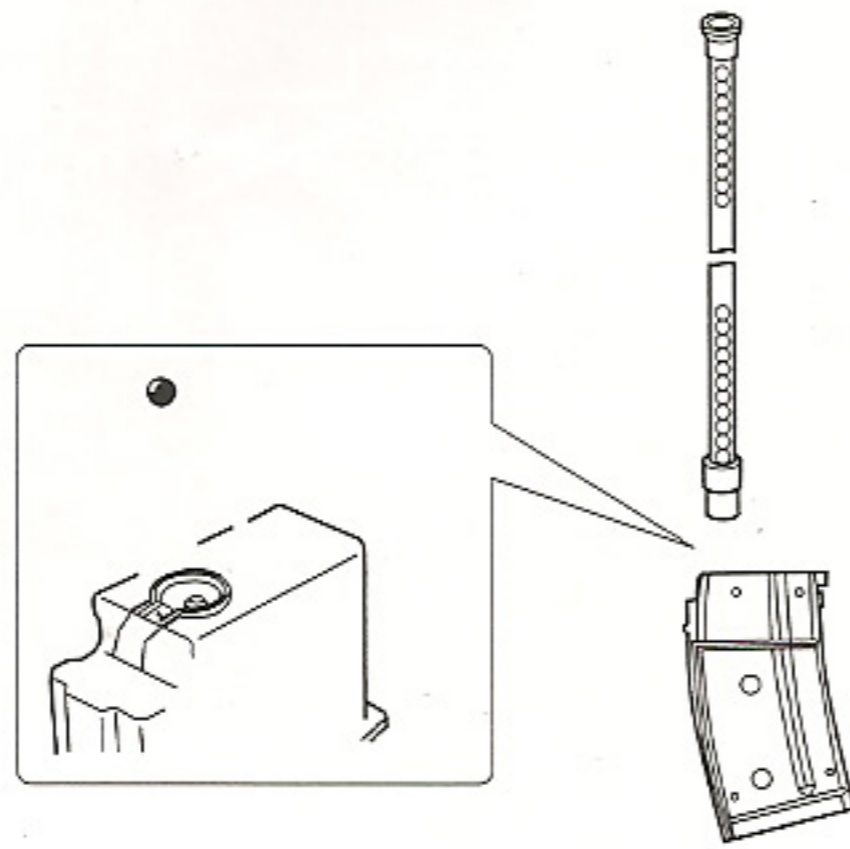
Flashlight lock knob 手电筒锁钮

## 5. Setting the magazine 装入子弹

1. Press the magazine Catch Lever to remove the magazine  
按弹匣卸钮, 取出子弹匣。

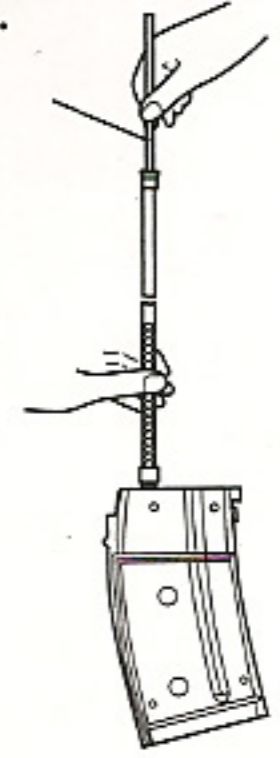


2. Load the Bullets into the loader.  
(It can be loaded with about 30 bullets.)  
将子弹装入装弹器内。(约30颗)



3. Push the bullets down using the Bullets Loading Rod. Do not pull over, otherwise it will damage the magazine.  
用装弹棒将装弹器内的子弹推入弹匣内。注意不要过度用力。

用装弹棒将装弹器内的子弹推入弹匣内。注意不要过度用力。



Warning! Always use precision ground 6mm BB bullets for accuracy and safety. Never re-use bullets.  
警告! 务必使用优质BB弹以确保安全及准确度。

4. Insert the loaded magazine into the rifle.  
把弹匣插入枪支。  
To remove the magazine, press the magazine Catch Lever to disengage the magazine.  
移去弹匣时, 先按住弹匣卸钮, 卸开弹匣。

### ● Removing clogged bullets 卡弹处理

- (1). Remove the magazine and return the hop up adjustment to the Normal position.  
如发生卡弹时, 先卸下弹匣, 将上翻弹(Hop up)功能钮调至 Normal 位置。
- (2). Insert the cleaning rod from the load edge of the barrel, be careful so that the angled part of the cleaning rod faces down, and remove clogged bullets.  
把清弹棒插入枪管, (清弹器斜面向下)。子弹从弹匣插口退出。

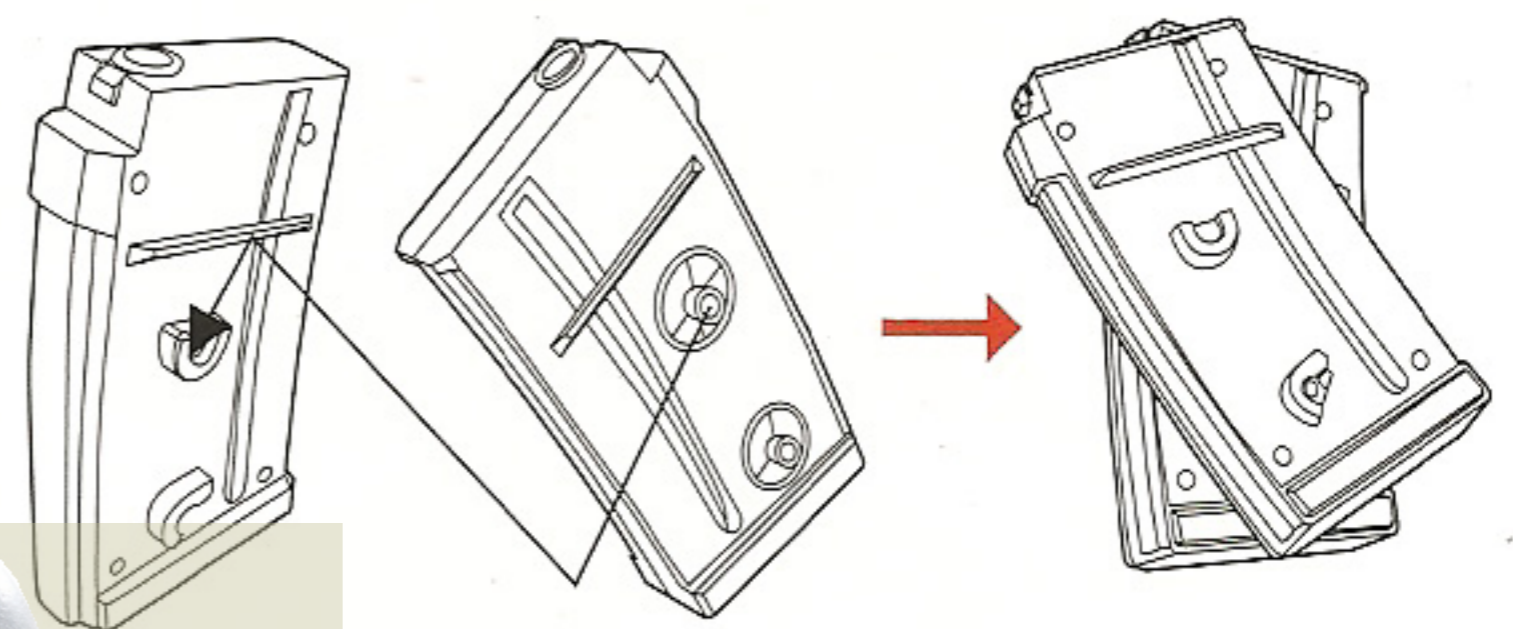
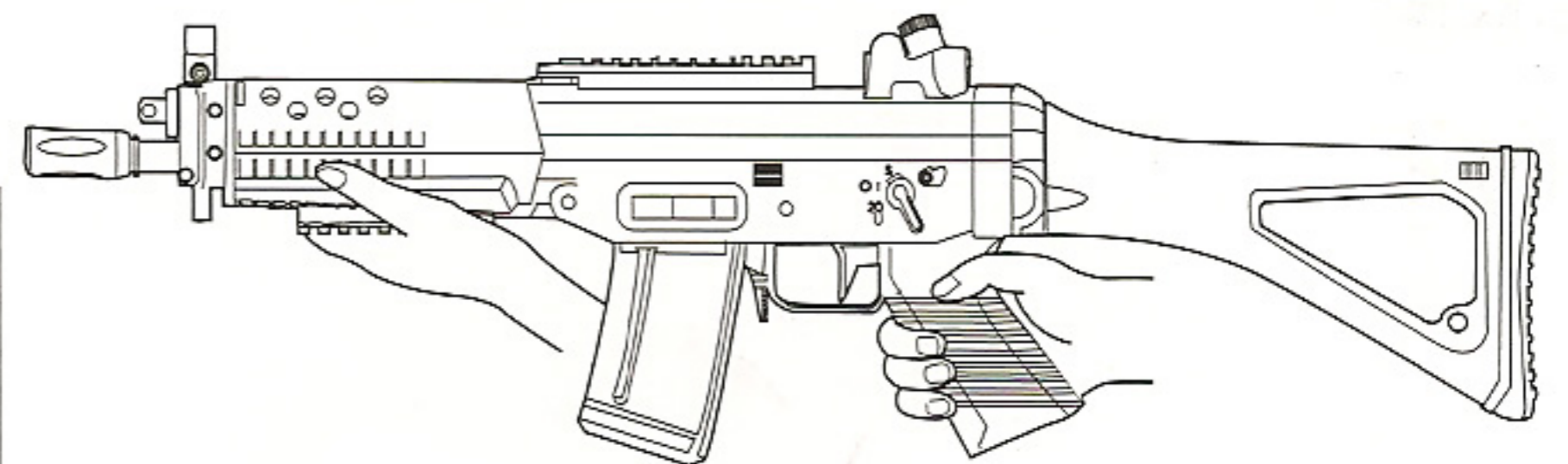
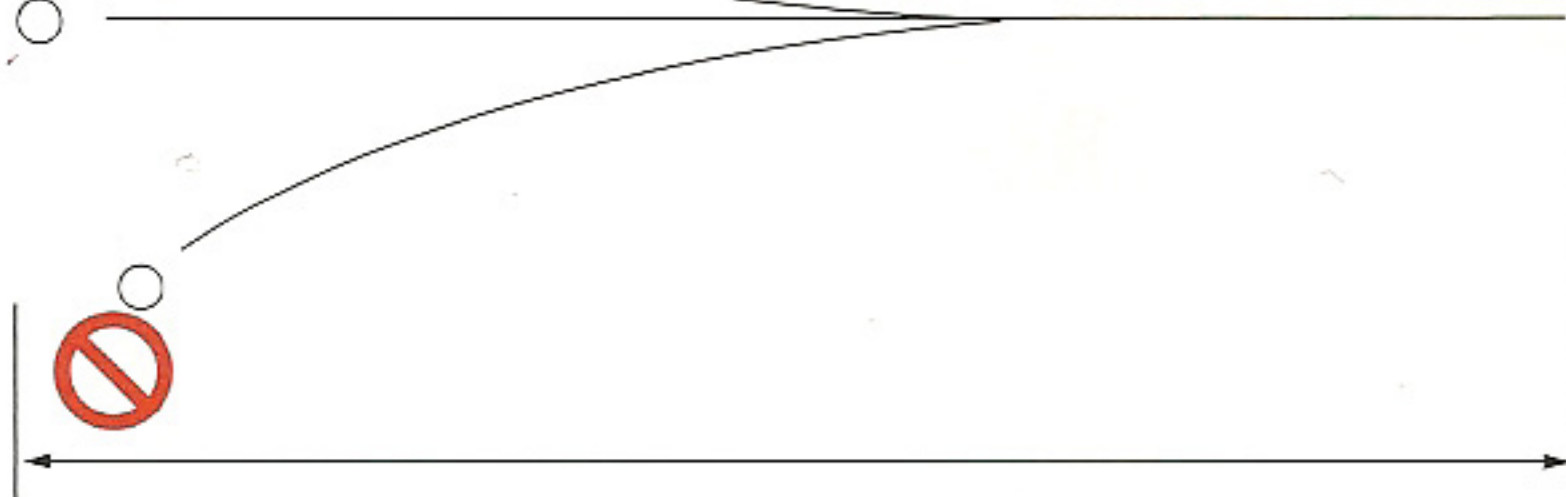
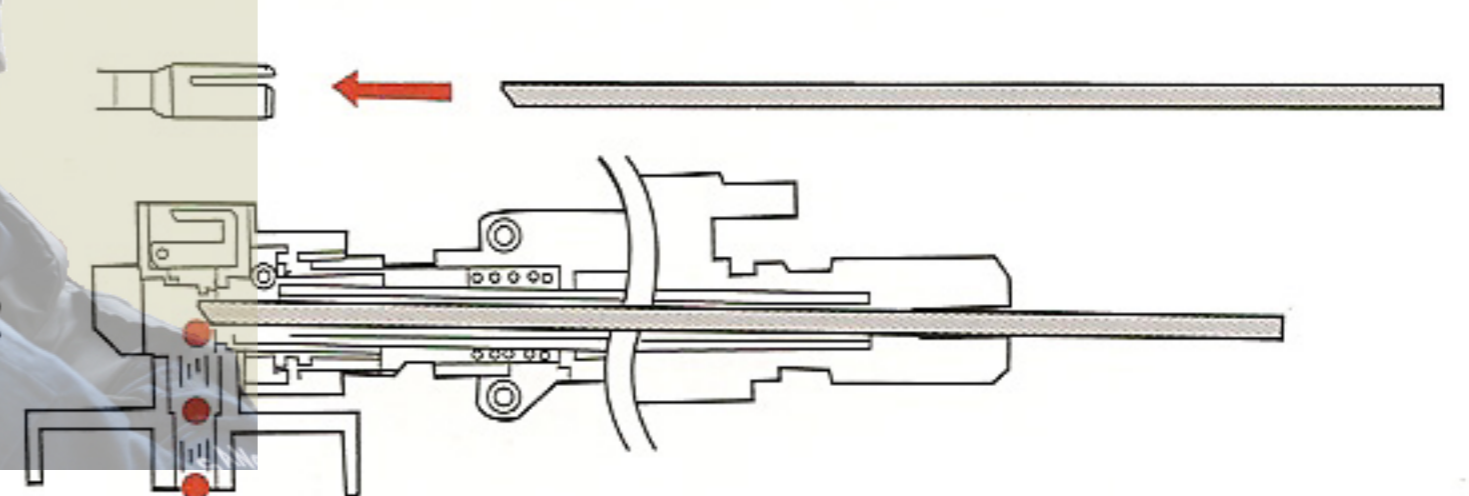


Fig.1  
图1

Fig.2  
图2

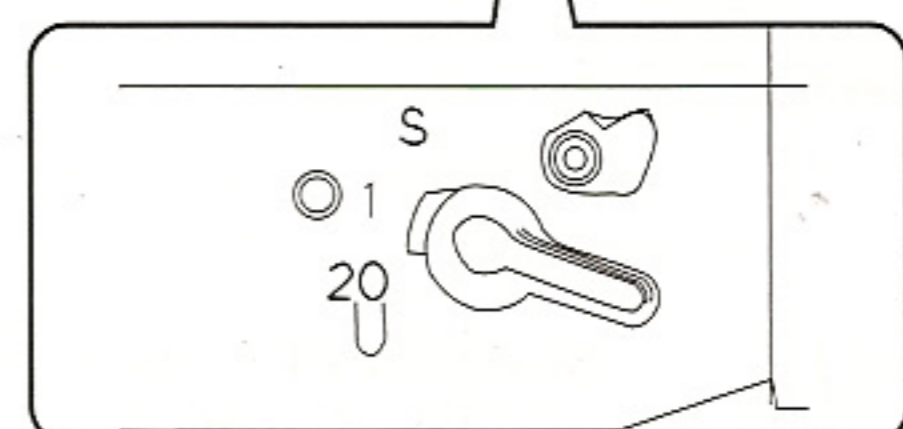
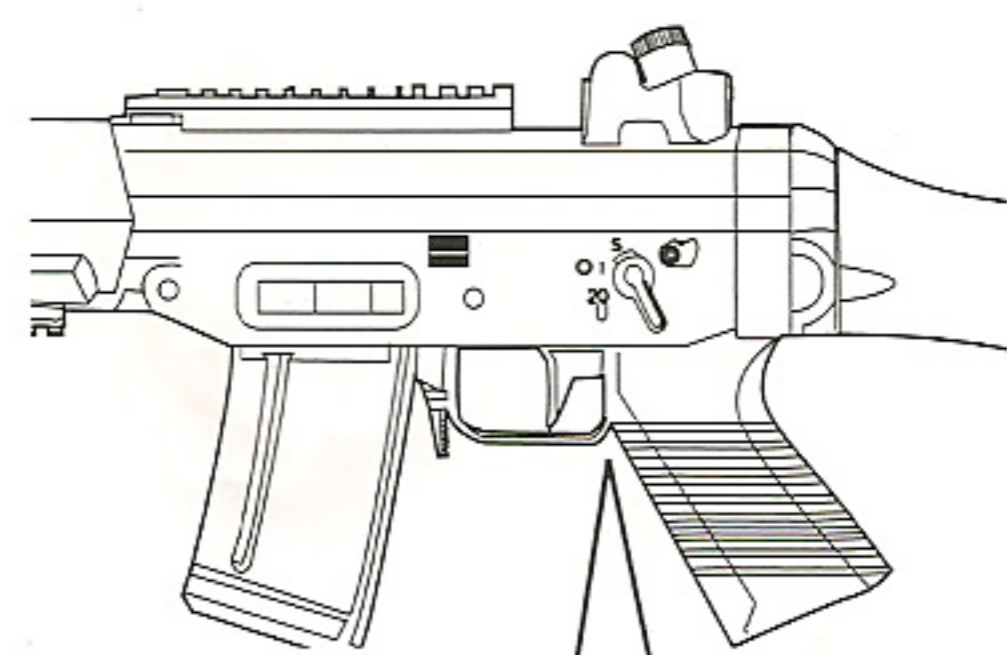


## 6. Firing (confirm complete safety of environment before firing.) 发射(发射前请务必确认环境是否安全)

Activating the trigger carelessly is extremely dangerous. Put your finger on the trigger unless you are ready to shoot at a target.

小心走火, 除非你已准备射击, 否则不要把手指放在扳机处。

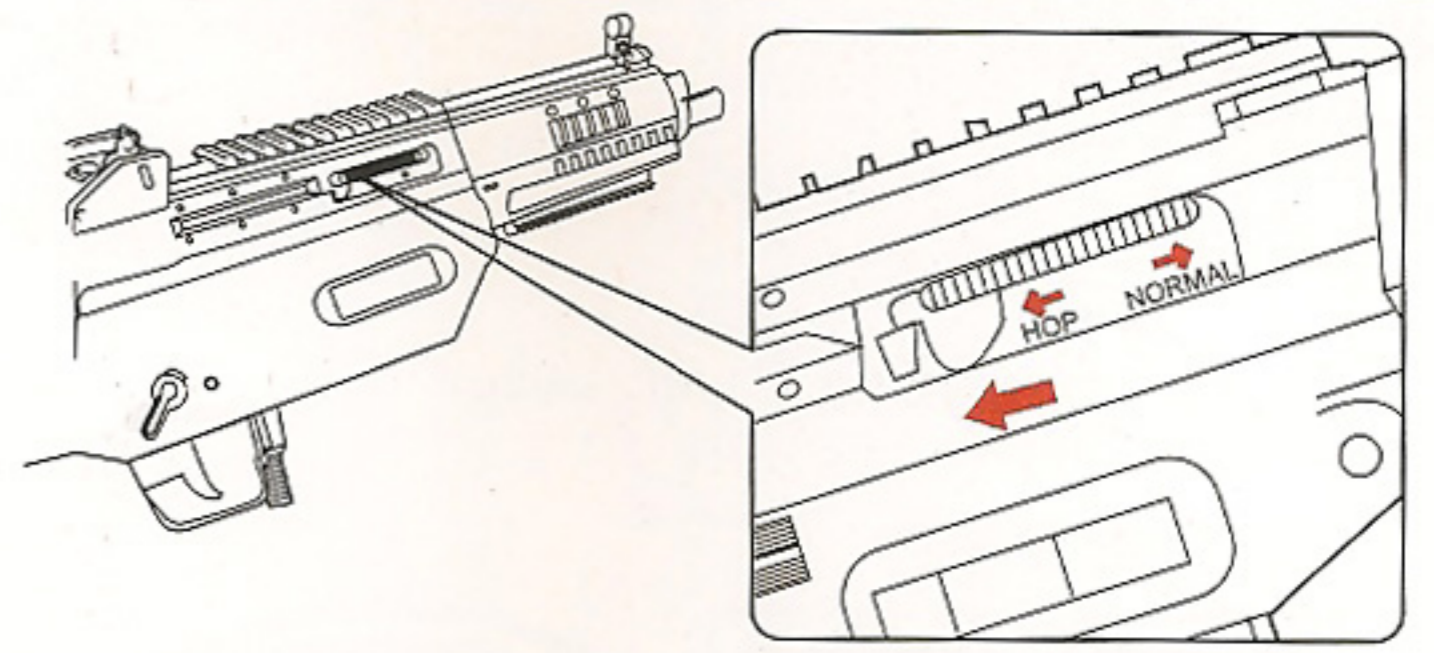
1. Semi auto shooting  
半自动射击
- set fire/safety lever to 1.  
把发射/保险拔杆拔至“1”处。
  - Aim the rifle at your target.  
架好枪支, 瞄准目标。
  - Pull the trigger.  
拨动扳机发射。
2. Full auto shooting  
全自动射击
- Set fire/safety lever to 20.  
把发射/保险拔杆拔至“20”处, 其他步骤跟半自动相同。



### 3. Adjust variable Hop-up system for best shooting

调节可调式HOP-UP系统以达到最佳射击效果

- Slightly slide the hop-up adjustment knob.  
轻轻滑动HOP-UP调节钮
- Shoot a few bullets, exam the trajectory and make further adjustment if necessary.  
把按钮向前滑动则射出BB弹微调向下, 把按钮向后滑动则射出BB弹微调向上.



To prolong motor lifetime and maintain the best shooting performance, do not shoot over 5 minites continuously in the Full auto mode.

注意: 为延长电机使用寿命及保持最佳性能, 请不要在全自动方式连续射击超过5分钟.

## 7. Remove other parts 安装其它部件



Warning! Before you follow the assembly instruction, make sure to remove the magazine and set the Fire/Safety Lever on position "S"

警告! 先卸去弹盒并把发射/保险拨杆拨至 "S" 位置, 再进行部件装配.

### Install Front Barrel /Silencer

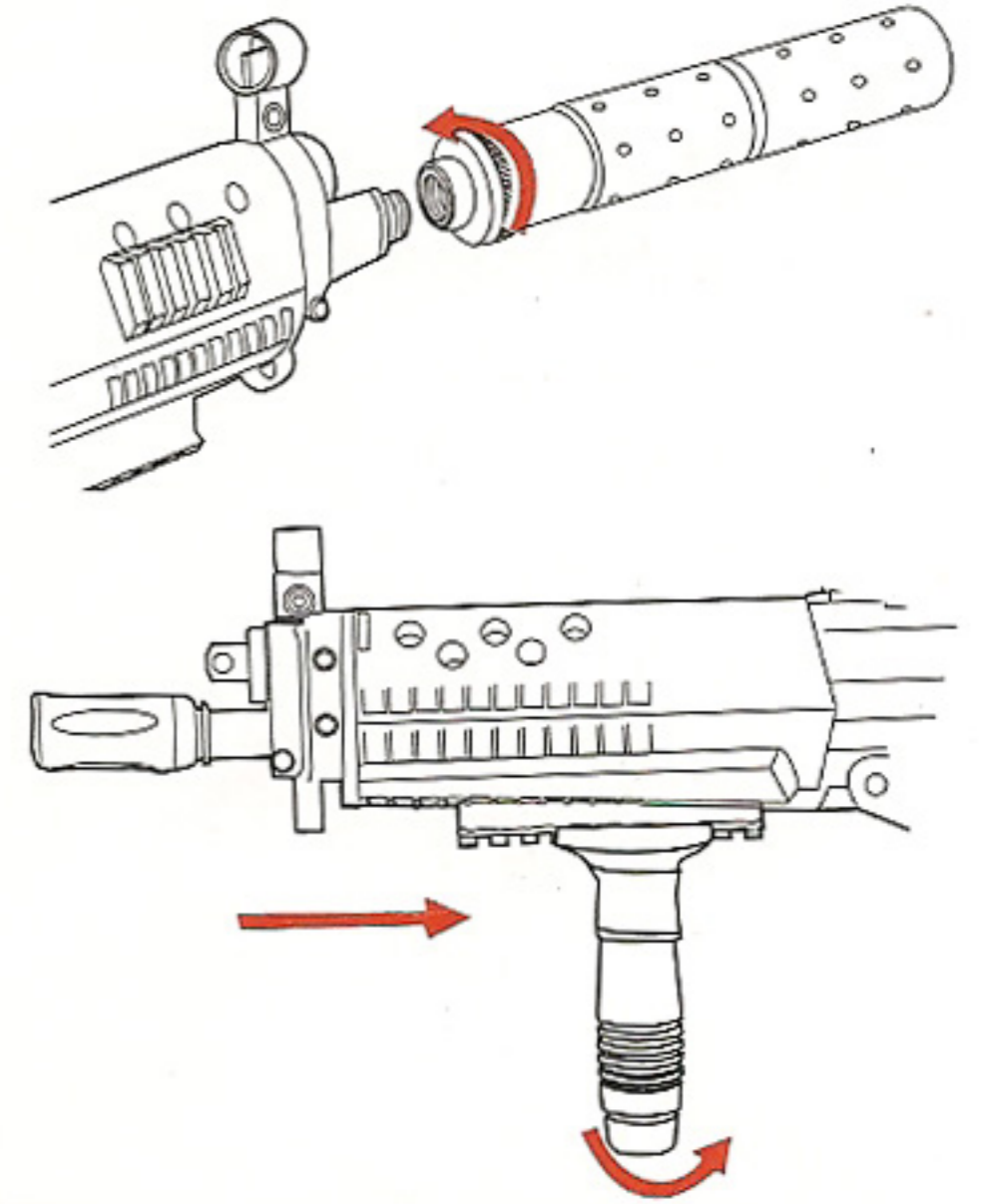
安装前枪管/消声器

- Fasten the barrel into the front part of the rifle  
按顺时针方向装上前枪管或消声器

### Install Foregrip

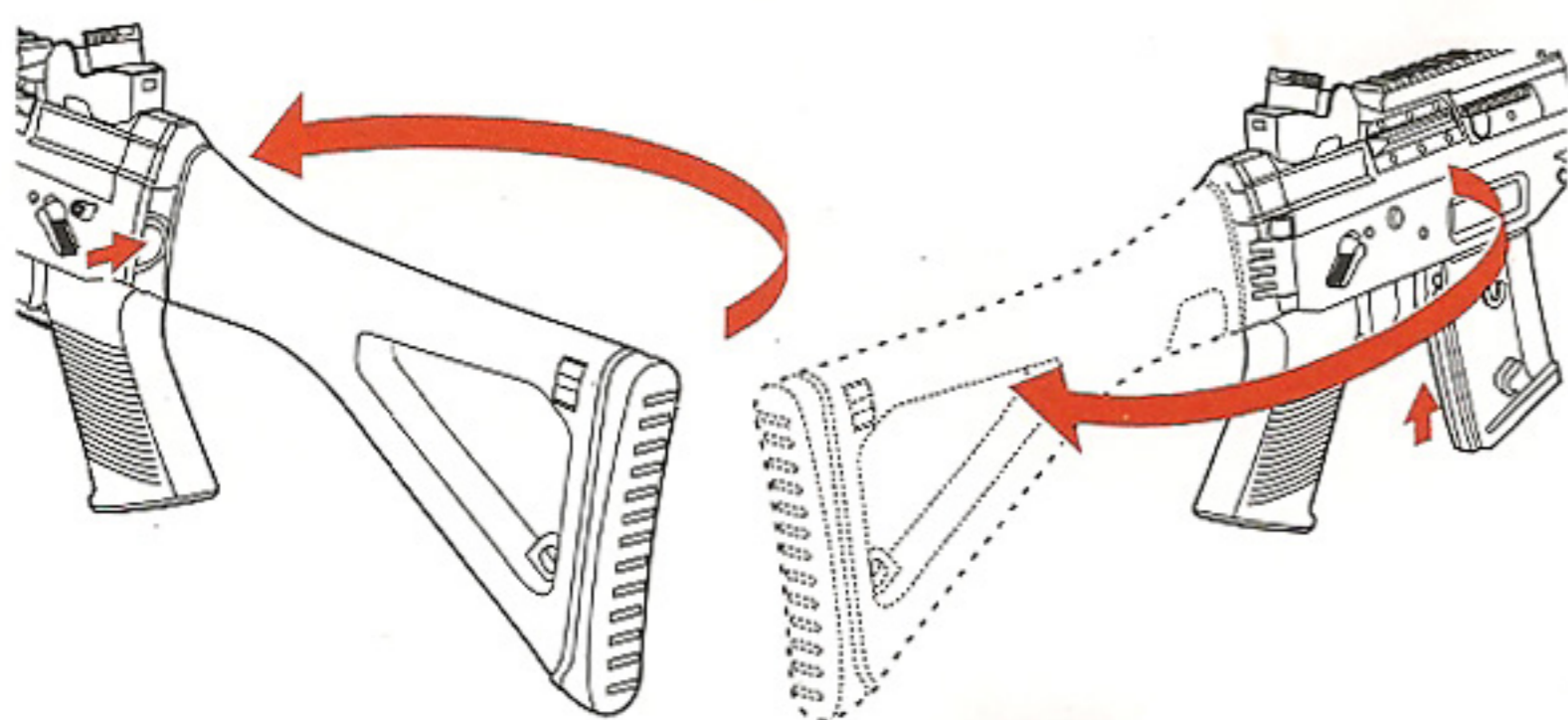
安装前手柄

- Loosen the Locking Scdrew to make sure the Locking Column is below the surface of the base.  
旋松锁柱, 注意其顶点低于轨道面.
- Slide Foregrip onto the rail, and adjust for the best position.  
把前手柄套入下导轨, 滑至适当位置.
- Tighten the Locking Sczew for further stability of the Foregrip.  
DO NOT overtighten the screw! Over tightening will be damage the Foregrip.  
旋紧锁柱.

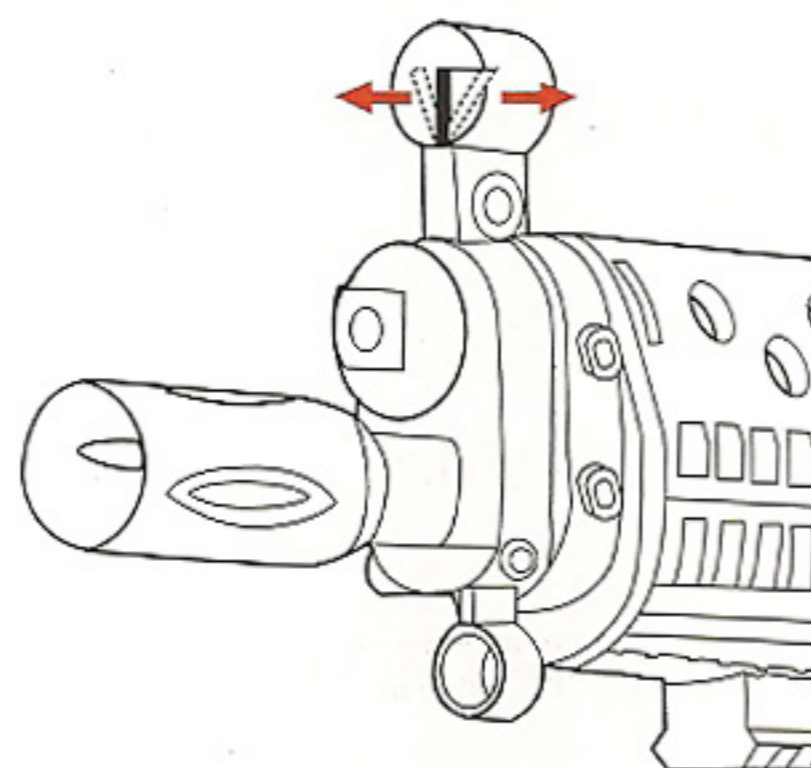


## 8. Swing Stock and Sight Operation 摆式枪托及准星调节

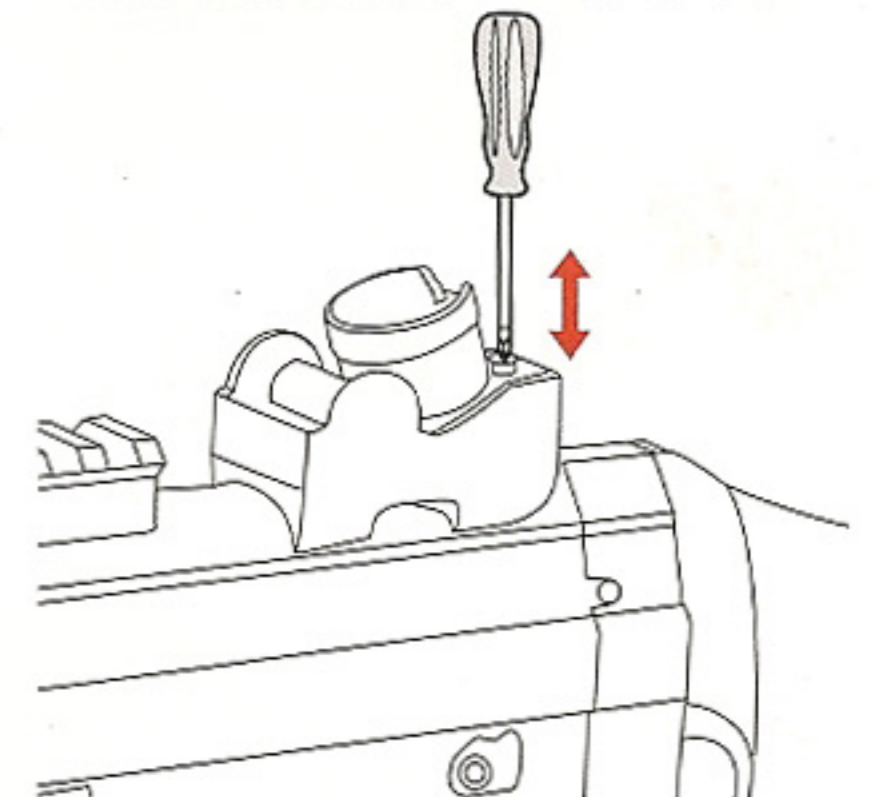
- Press the button of the gunstock to snap down the gunstock.  
按枪托按钮, 可以把枪托扣到枪托扣只上.



- Adjust the Front sight using your finger (For Left-Right adjustment)  
用手指调节前准星(用手左右调节)



- Adjust the Rear sight (For Up-down adjustment)  
调节后准星(用于上下调节)



## 9. Maintenance 养护

Keep the rifle in clean condition.

把枪支放置在清洁地方

Regularly clean the barrel with soft cleaning rod.

定期用洁净导棍清洁枪管

Never used dirty, damaged or distorted bullets.

禁止用脏污的, 受损的或劣质子弹.